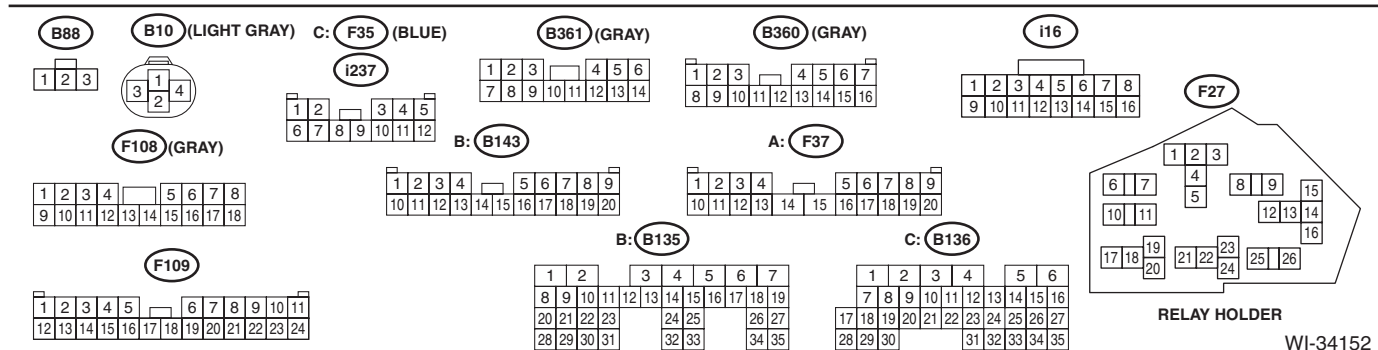
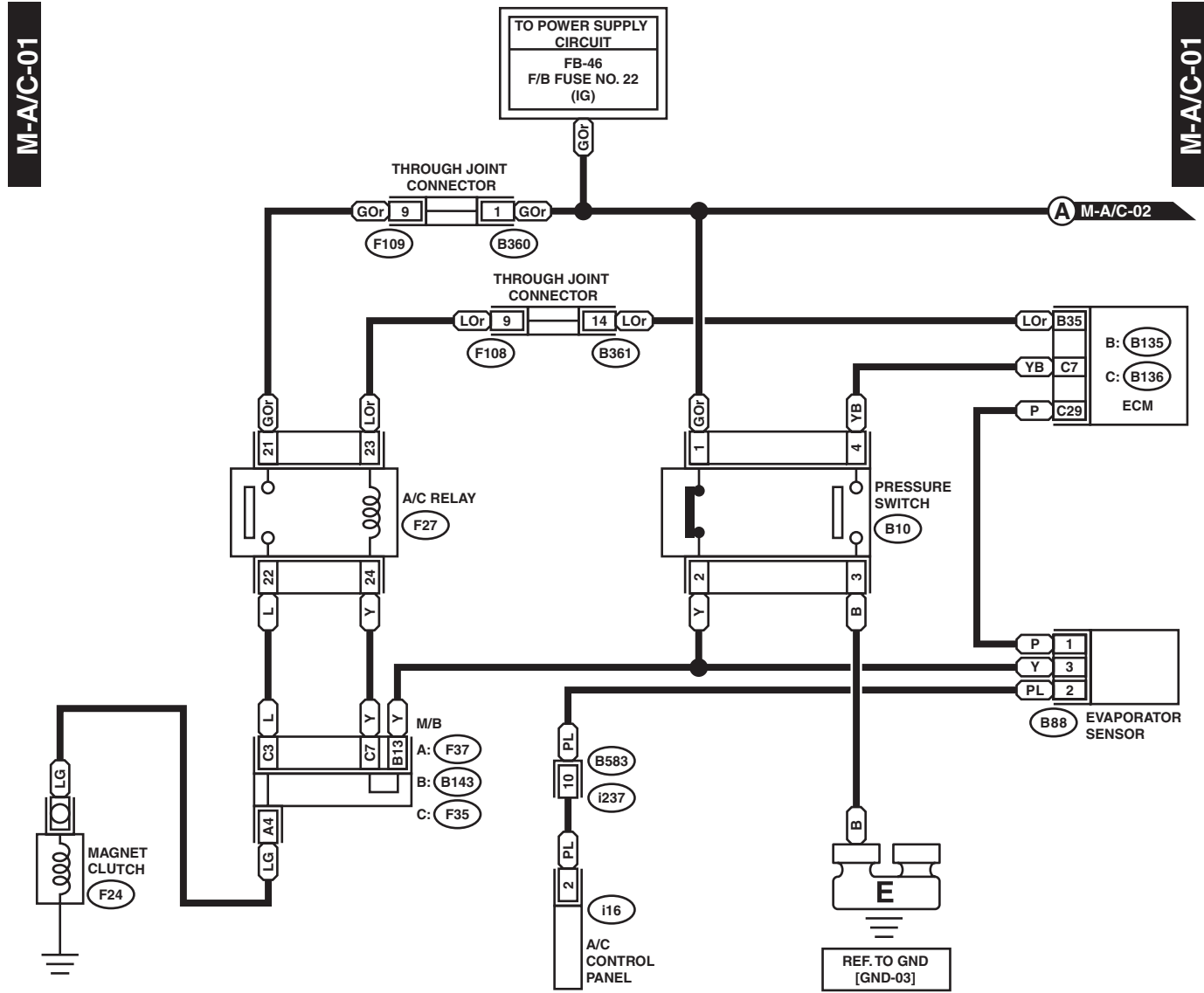


## 6. Air Conditioning System

### A: WIRING DIAGRAM

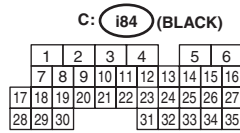
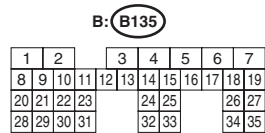
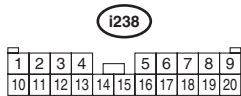
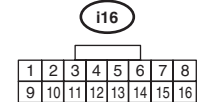
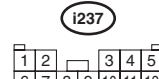
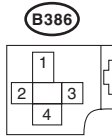
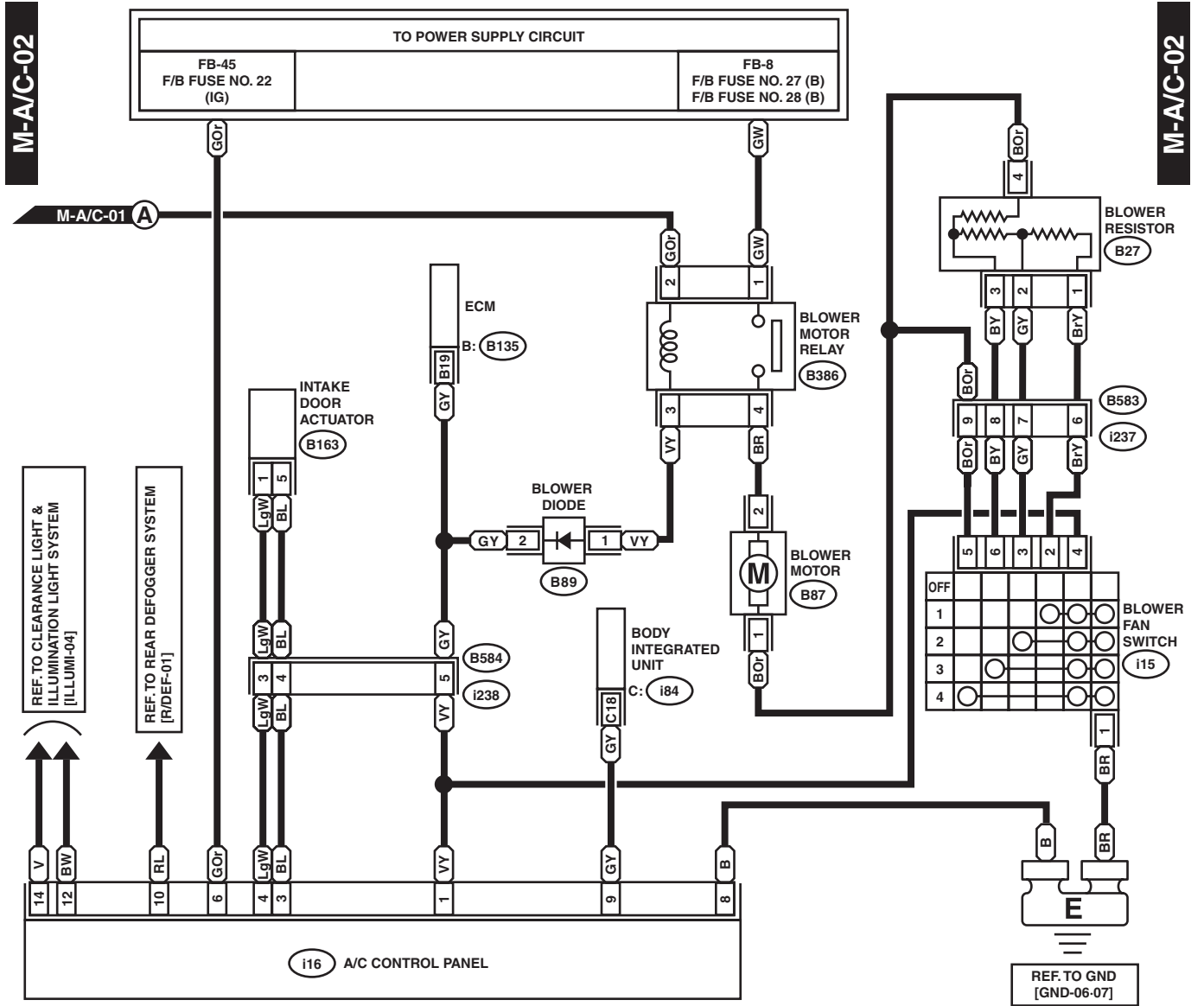
#### 1. MANUAL A/C MODEL



WI-34152

# Air Conditioning System

## WIRING SYSTEM



WI-34153

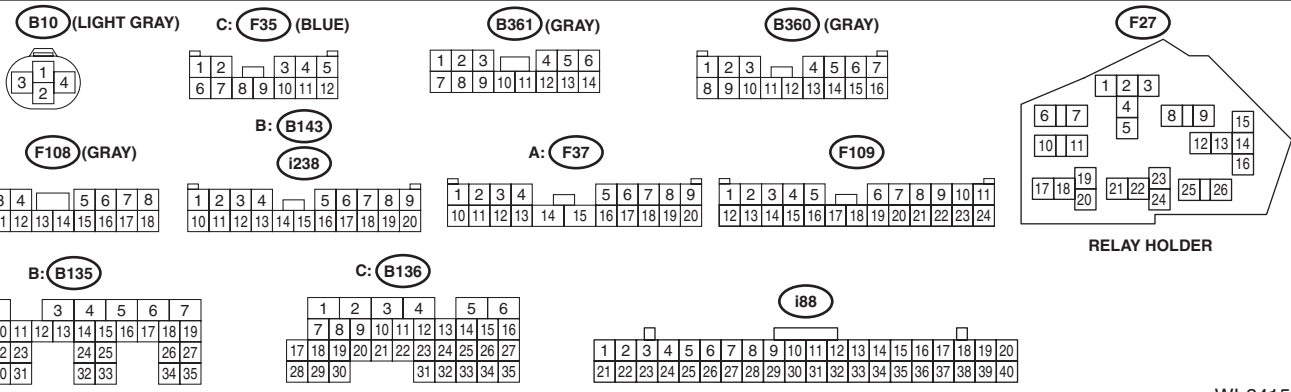
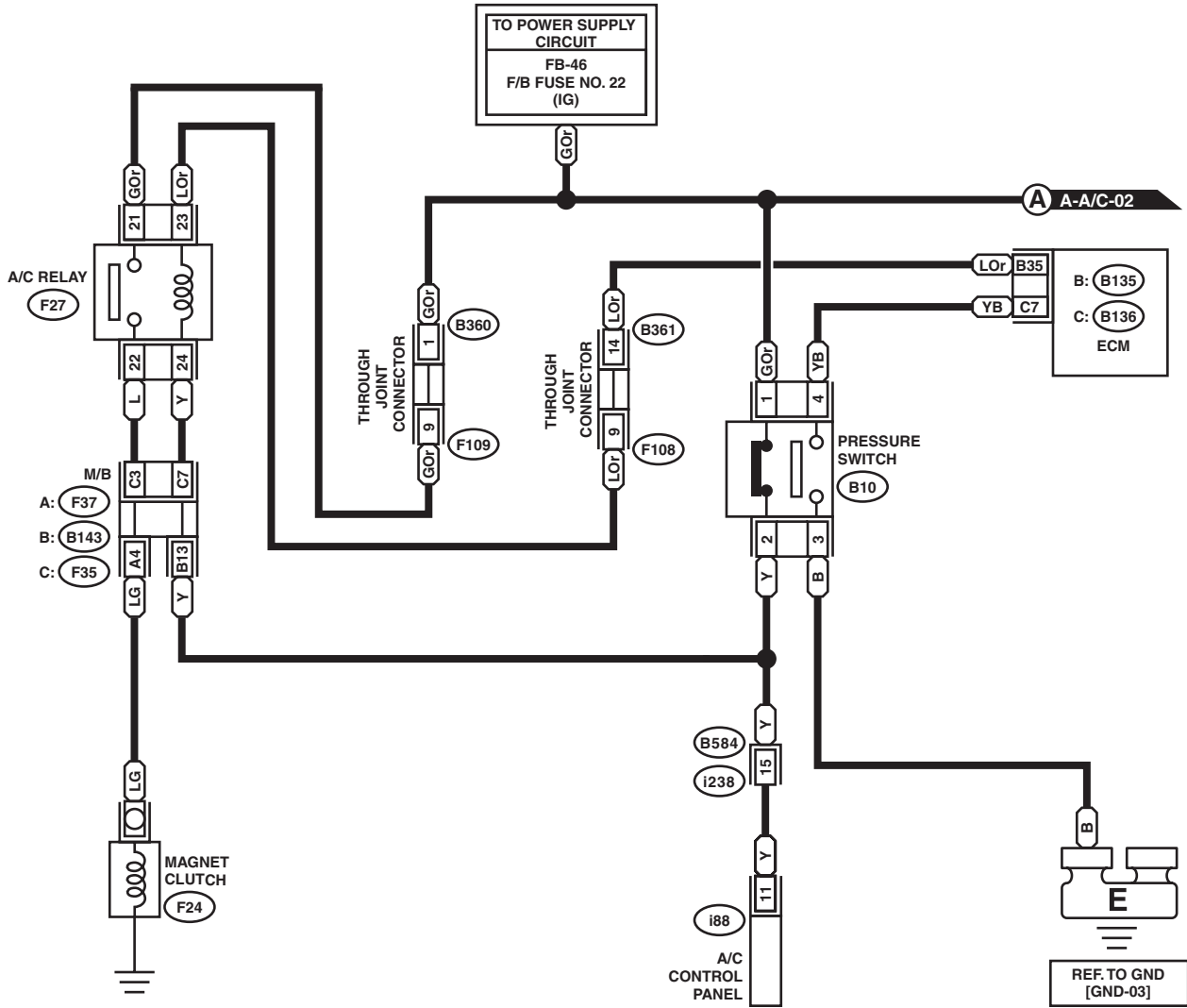
# Air Conditioning System

WIRING SYSTEM

## 2. AUTO A/C MODEL

A-A/C-01

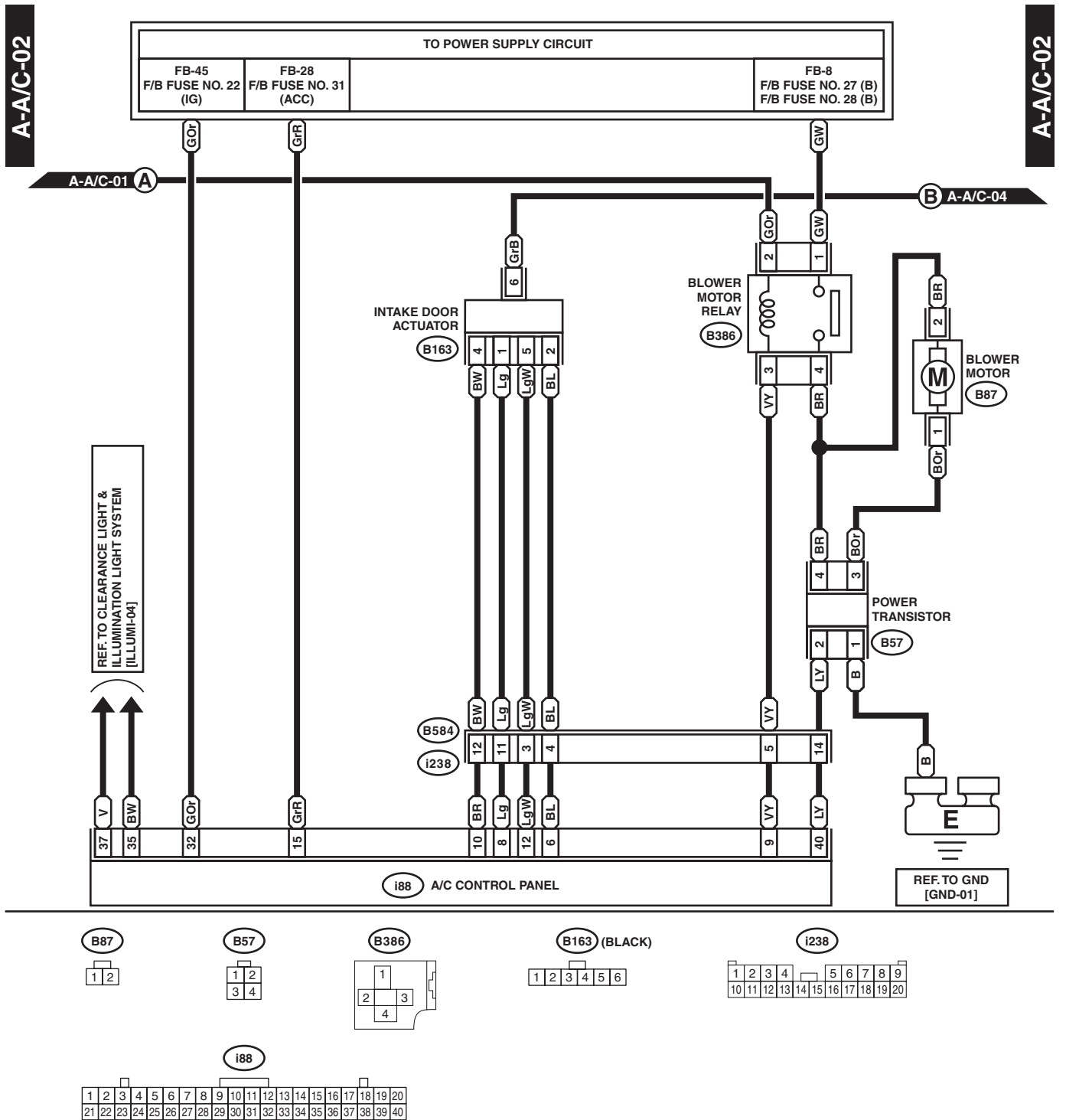
A-A/C-01



WI-34154

# Air Conditioning System

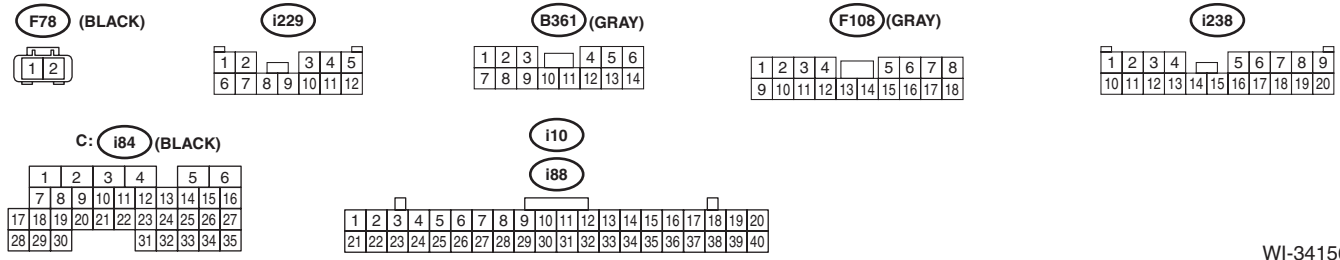
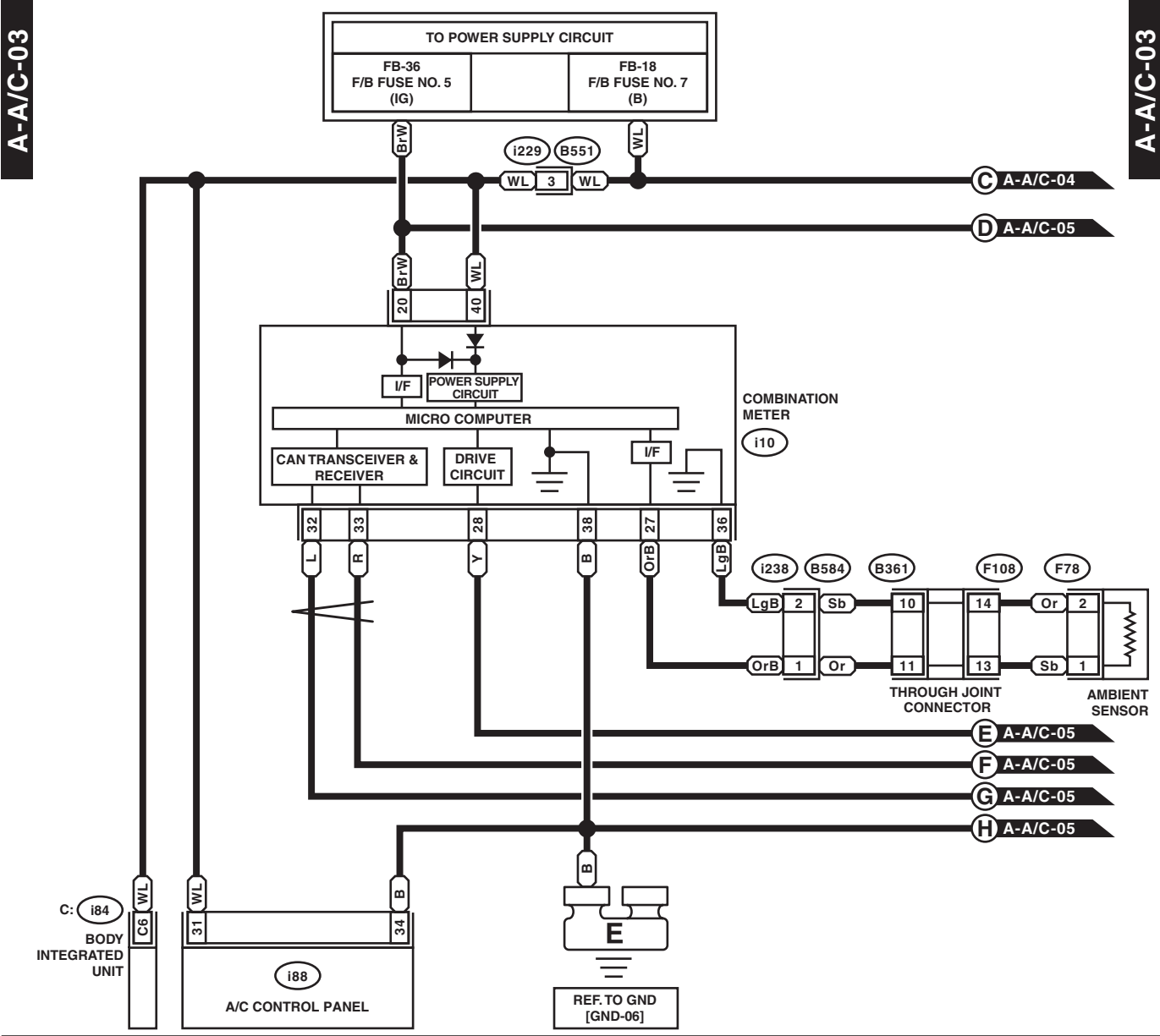
## WIRING SYSTEM



WI-34155

# Air Conditioning System

WIRING SYSTEM



WI-34156

# Air Conditioning System

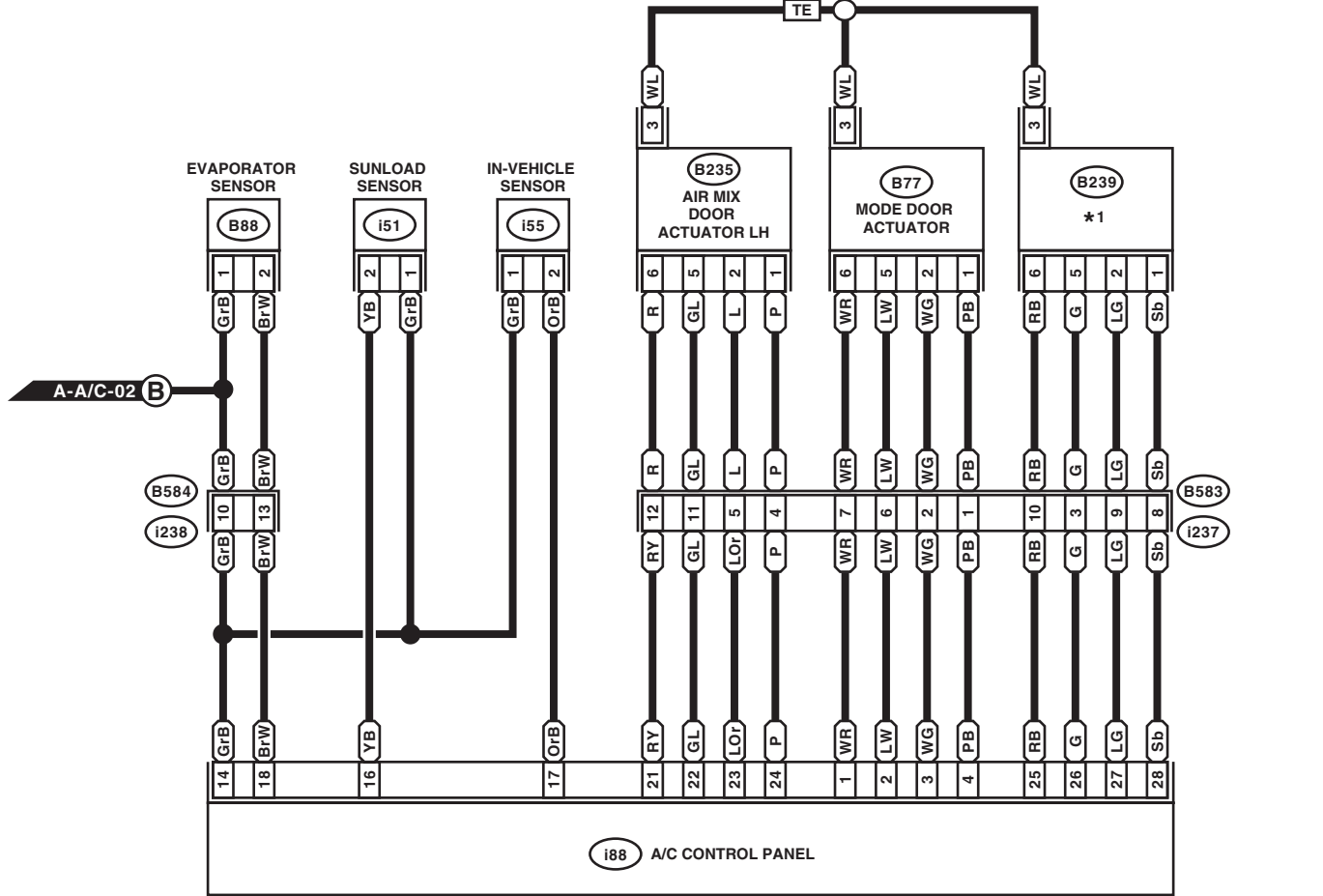
## WIRING SYSTEM

A-A/C-04

A-A/C-04

A-A/C-03 **C**

**TE** : WITH L/R INDEPENDENT AIR CONDITIONER  
 \*1 : WITHOUT L/R INDEPENDENT AIR CONDITIONER : AIR MIX DOOR ACTUATOR  
 WITH L/R INDEPENDENT AIR CONDITIONER : AIR MIX DOOR ACTUATOR RH



**B88** (BROWN)



**i51**



**B77**



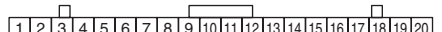
**i237**



**i238**



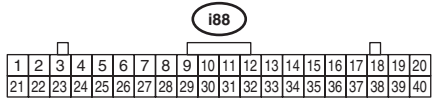
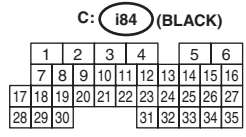
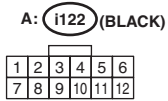
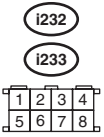
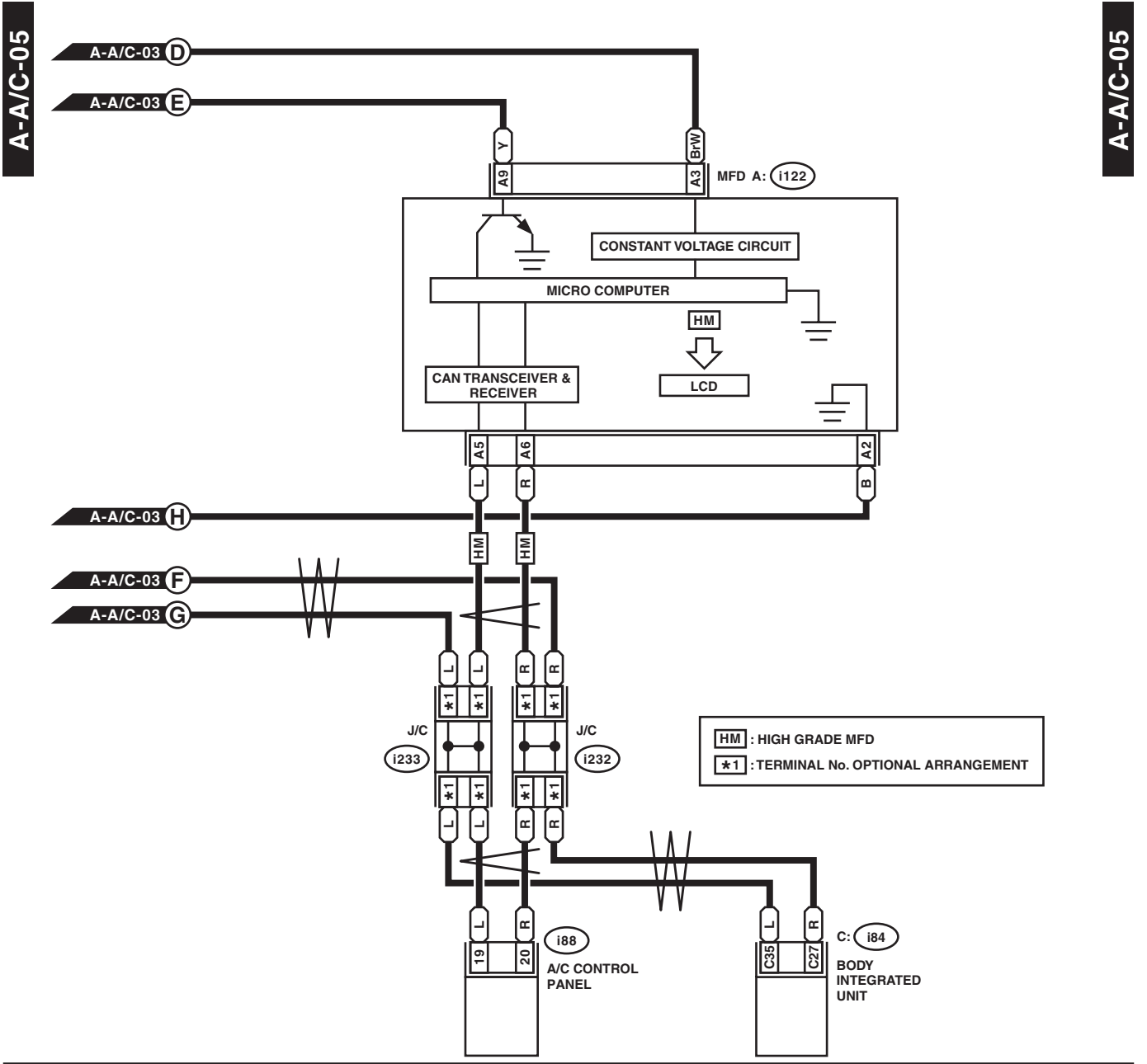
**i88**



WI-34157

# Air Conditioning System

WIRING SYSTEM



WI-37813