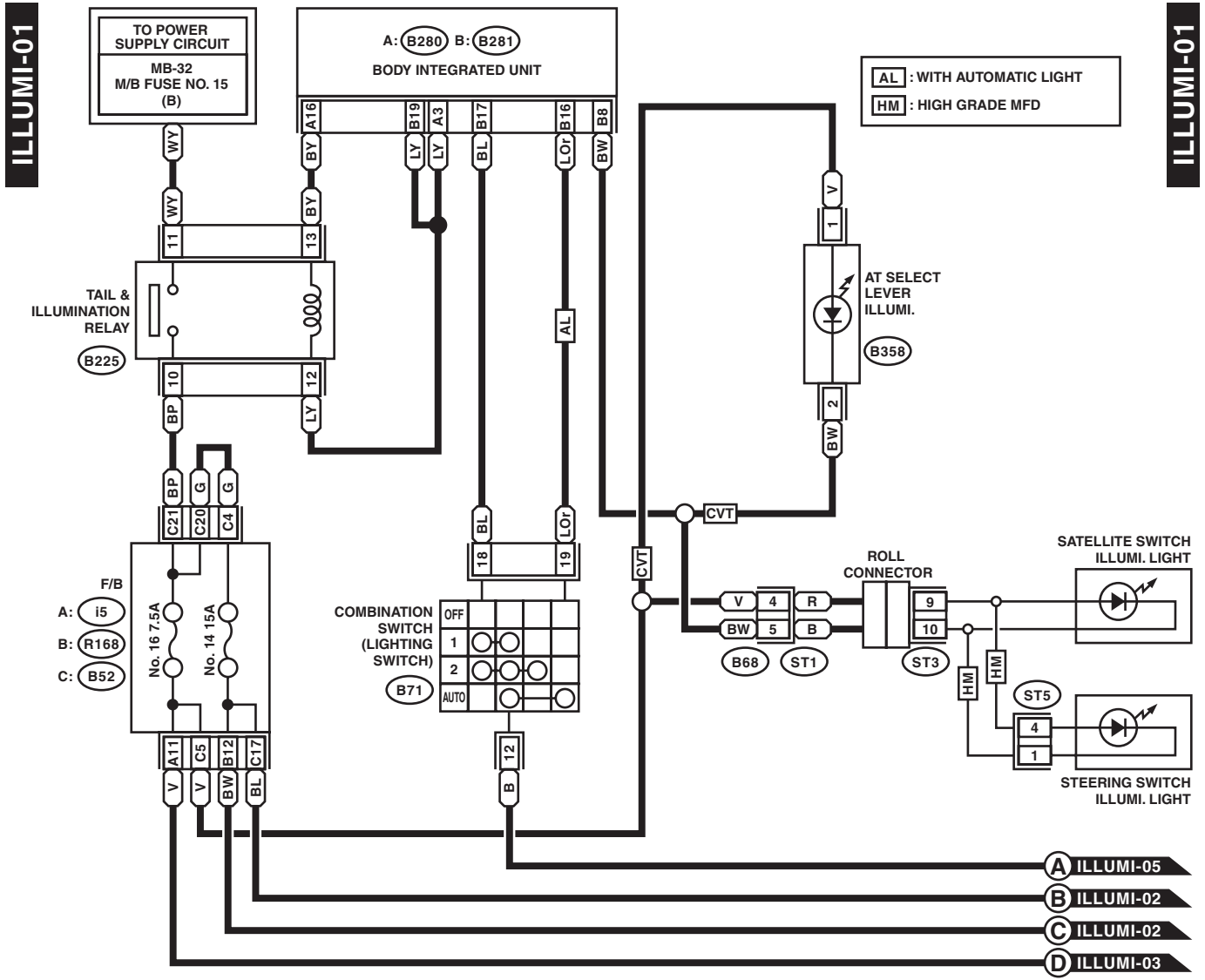
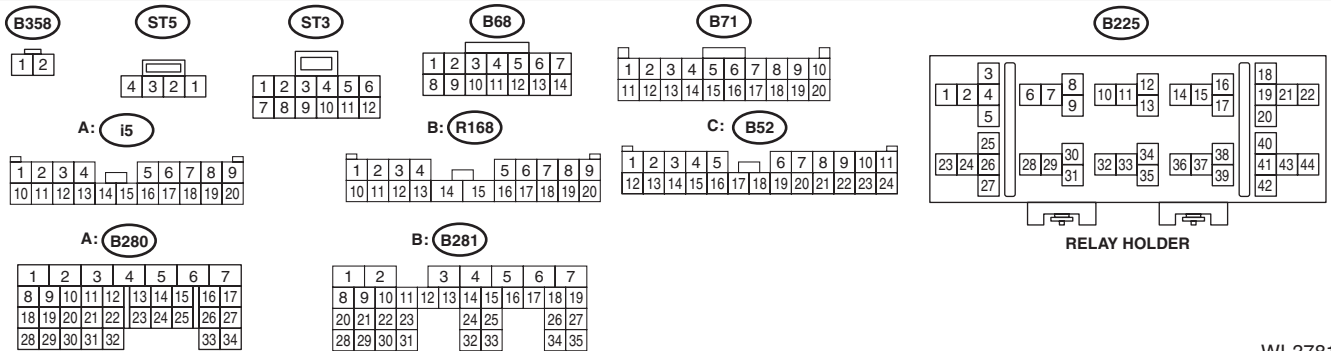


## 11. Clearance Light and Illumination Light System

### A: WIRING DIAGRAM



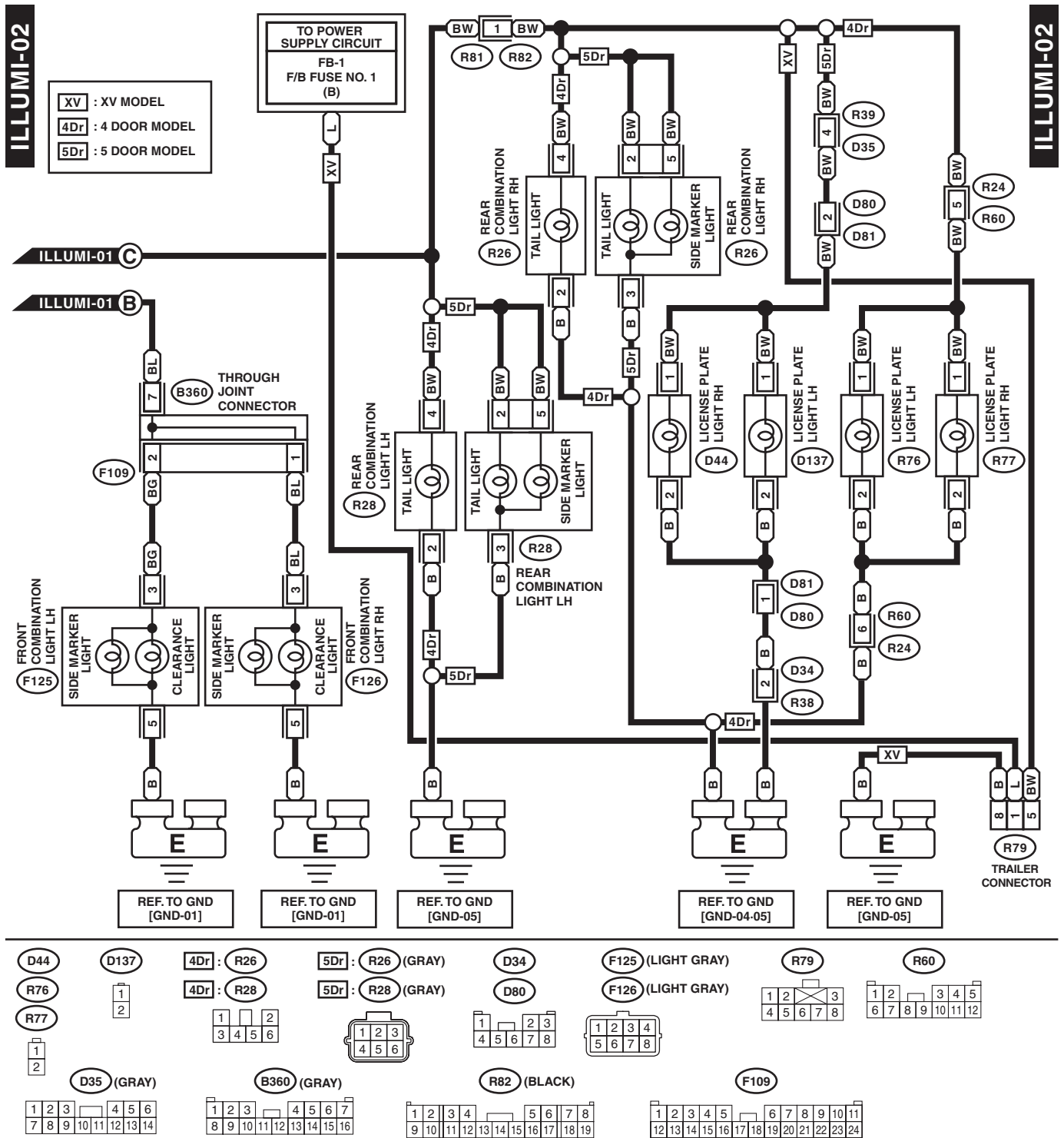
- A** ILLUMI-05
- B** ILLUMI-02
- C** ILLUMI-02
- D** ILLUMI-03



WI-37819

# Clearance Light and Illumination Light System

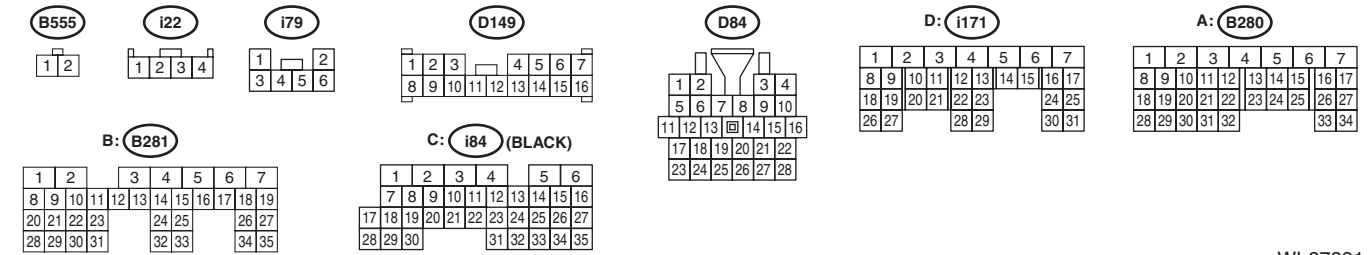
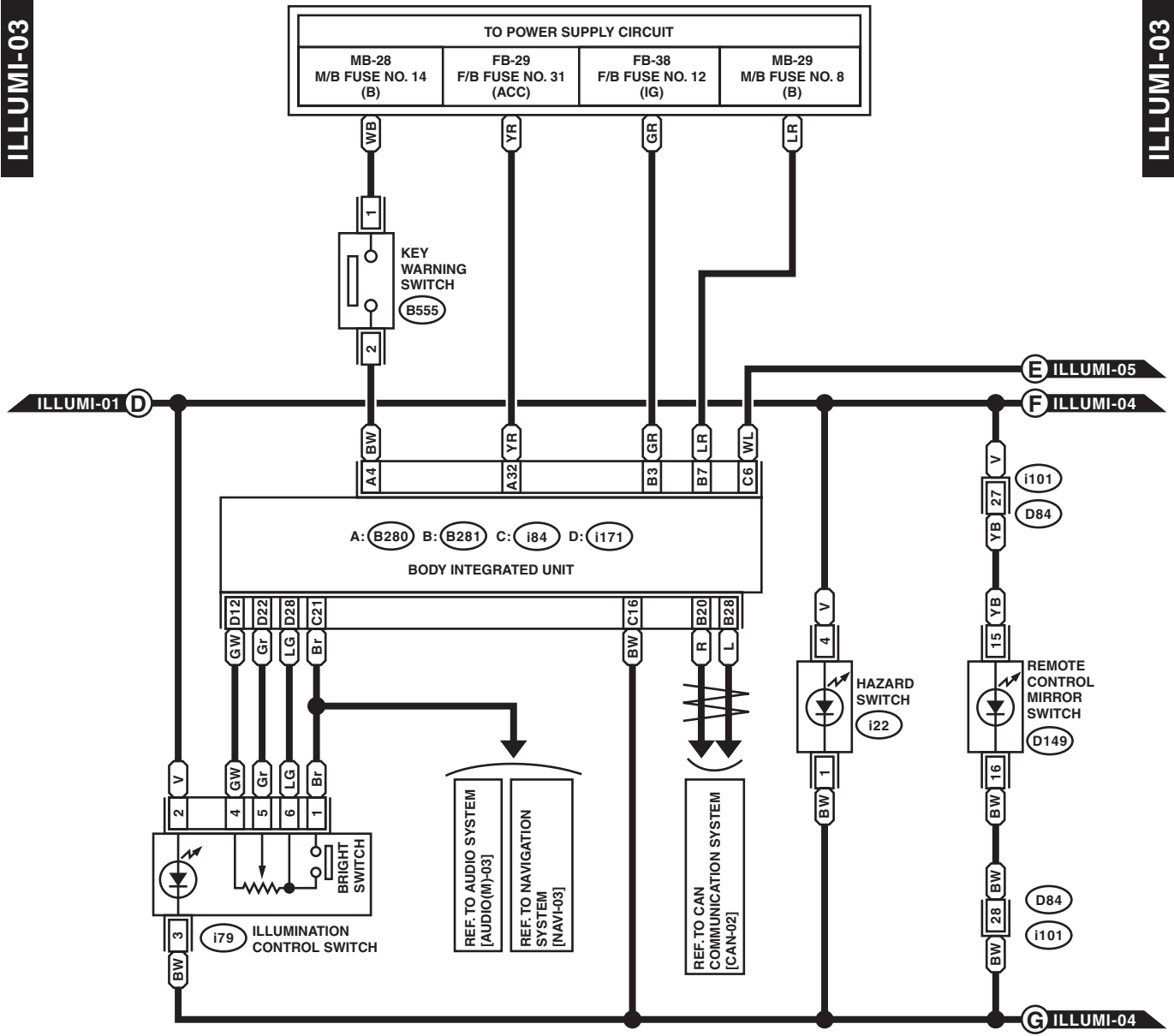
## WIRING SYSTEM



WI-37820

# Clearance Light and Illumination Light System

WIRING SYSTEM



WI-37821

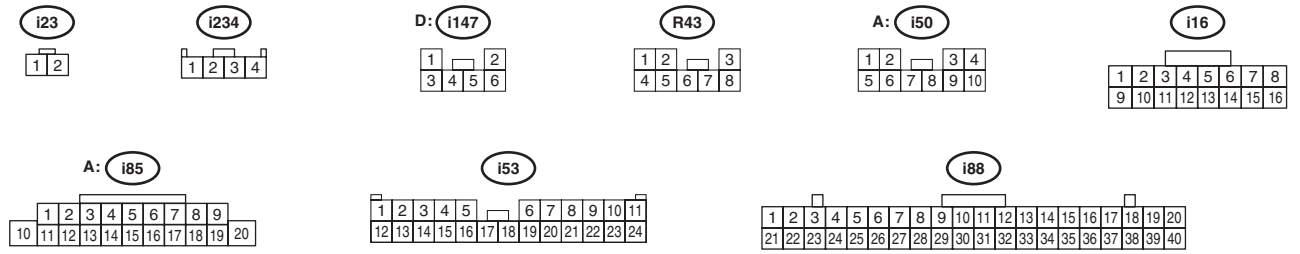
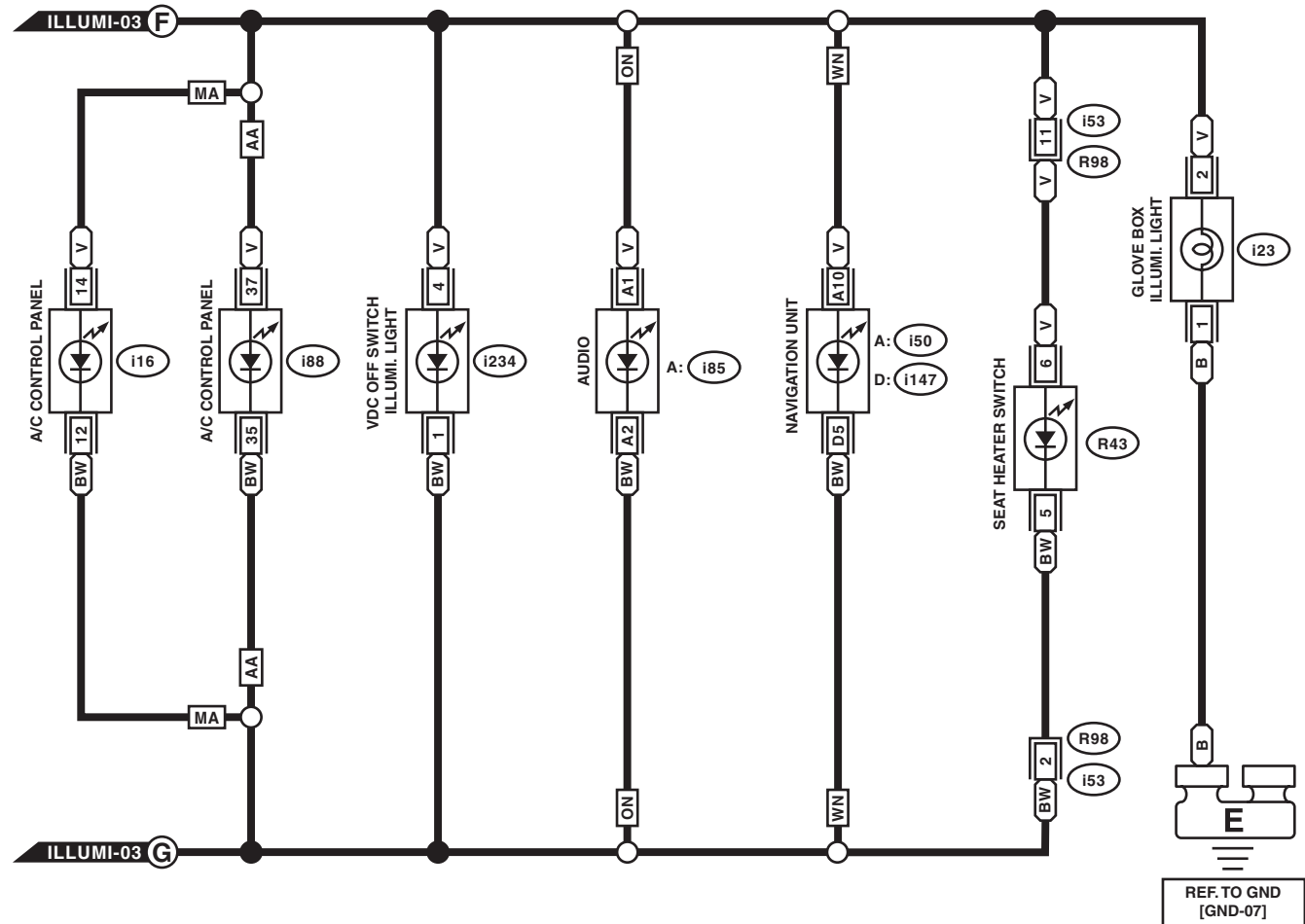
# Clearance Light and Illumination Light System

WIRING SYSTEM

ILLUMI-04

ILLUMI-04

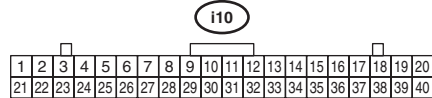
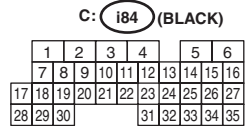
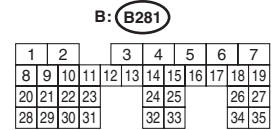
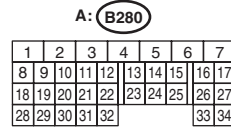
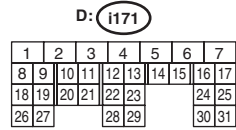
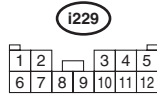
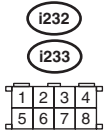
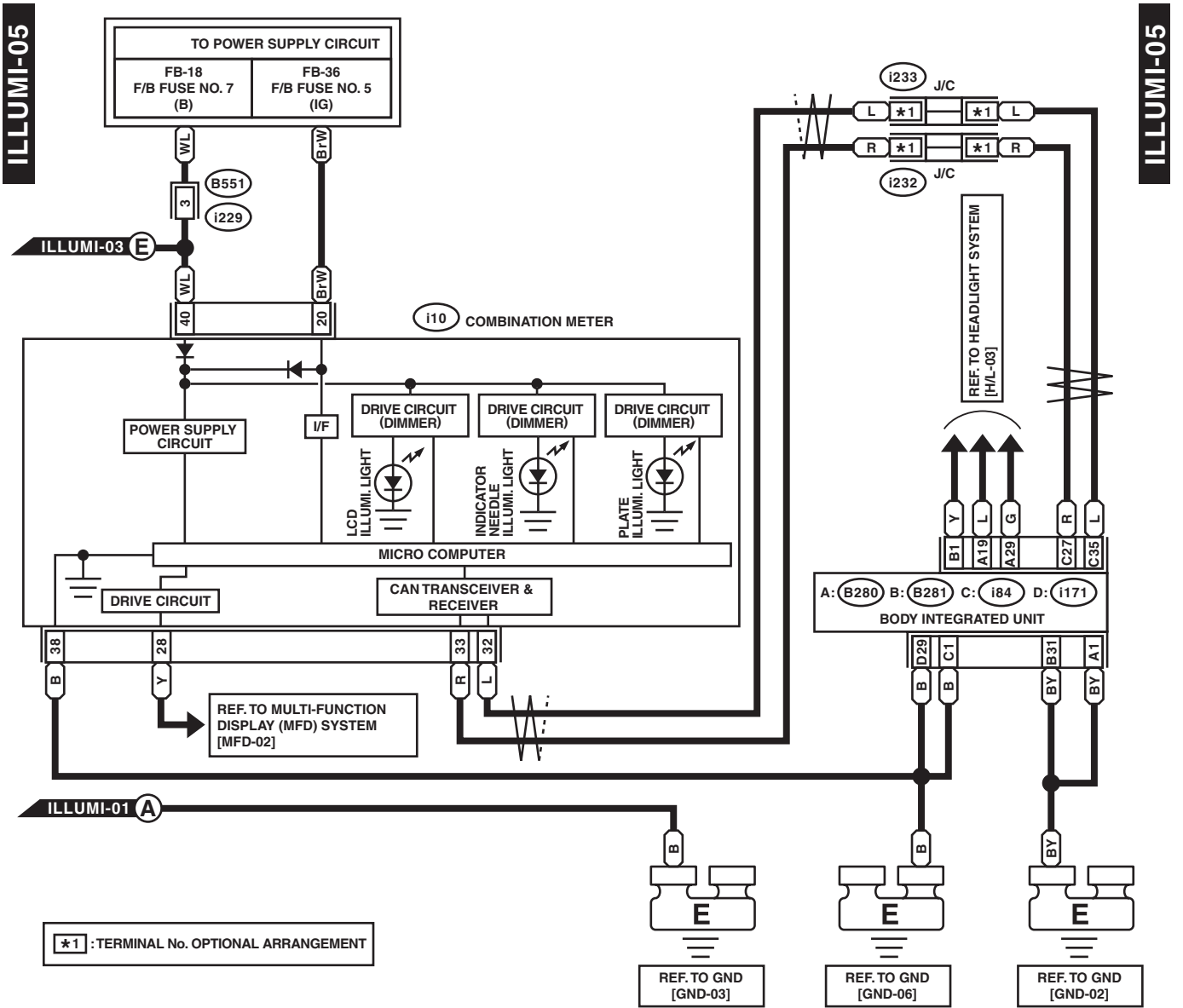
|    |                      |
|----|----------------------|
| MA | : MANUAL A/C         |
| AA | : AUTO A/C           |
| ON | : WITHOUT NAVIGATION |
| WN | : WITH NAVIGATION    |



WI-34171

# Clearance Light and Illumination Light System

WIRING SYSTEM



WI-34172