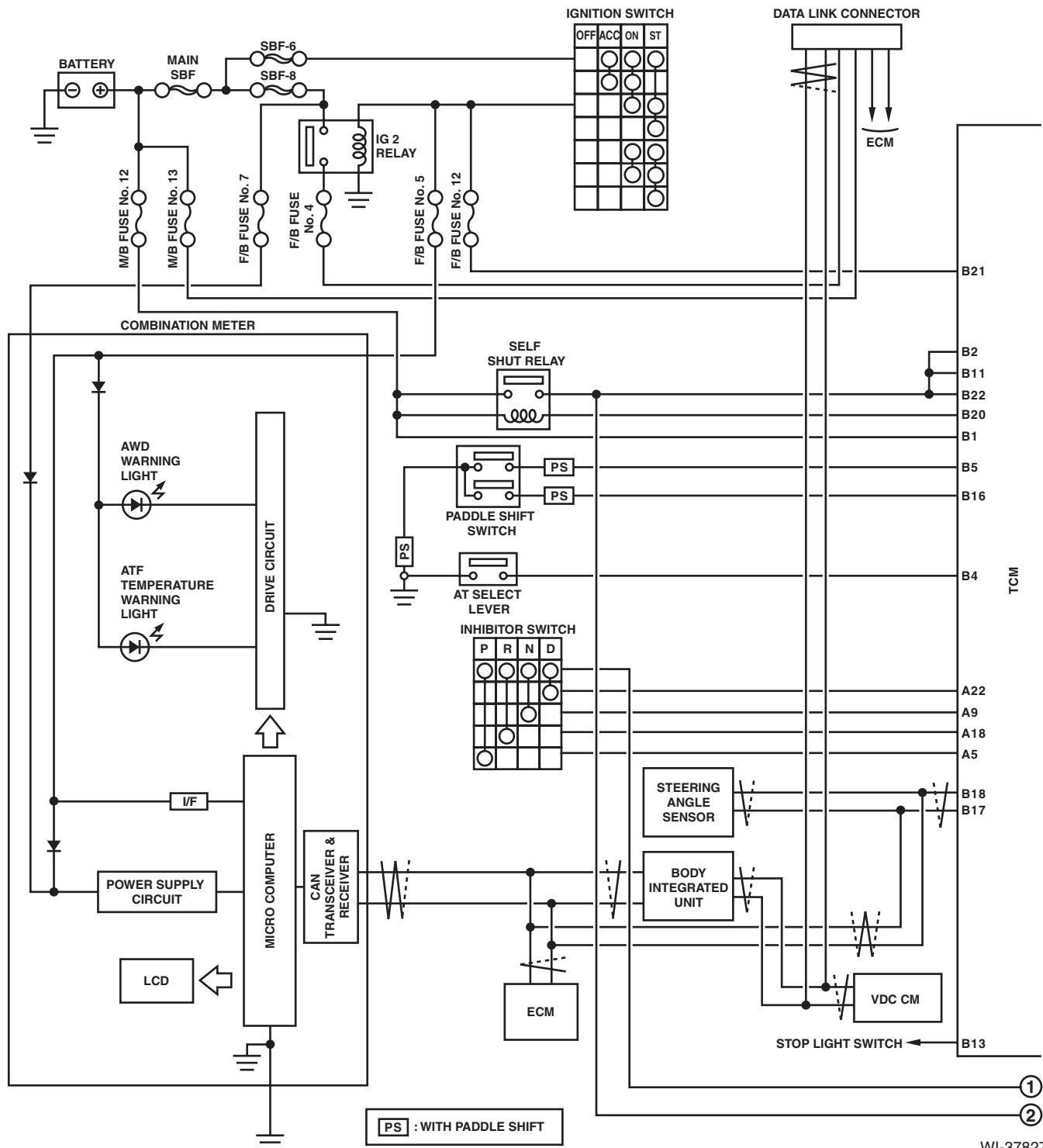


CVT Control System

WIRING SYSTEM

15. CVT Control System

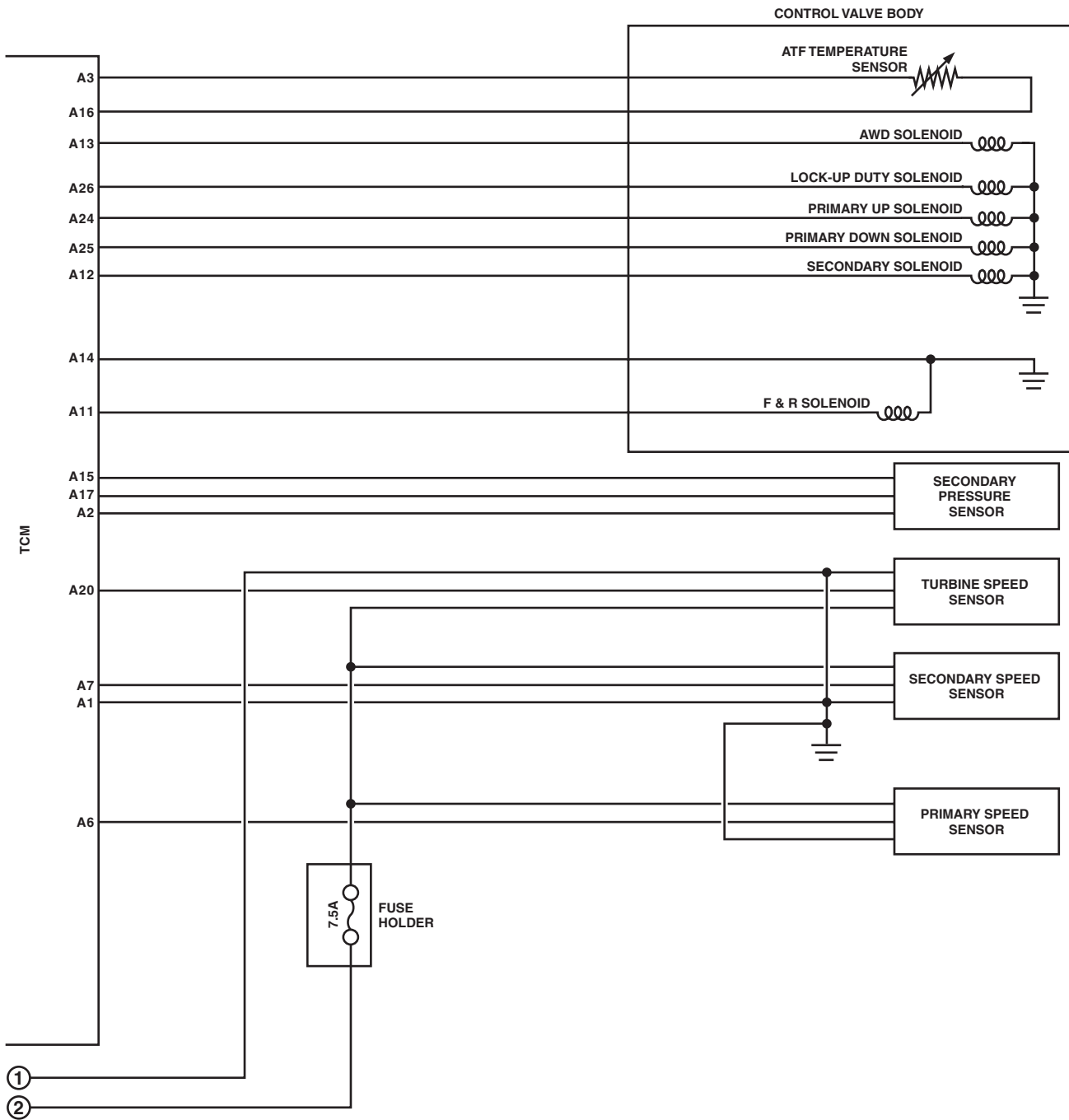
A: WIRING DIAGRAM



WI-37827

CVT Control System

WIRING SYSTEM



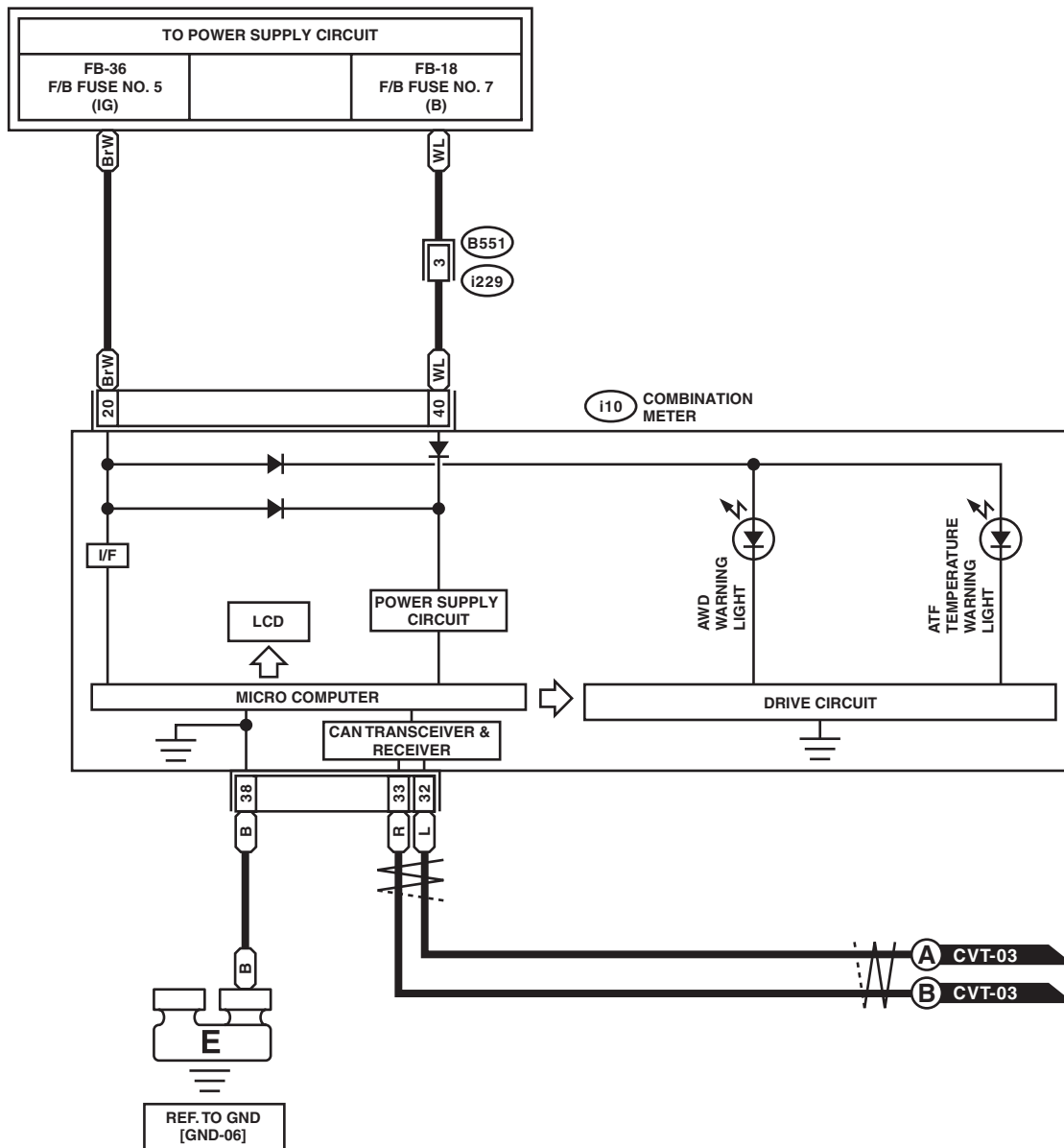
WI-34187

CVT Control System

WIRING SYSTEM

CVT-01

CVT-01



i229

| | | | | |
|----|----|---|---|----|
| 1 | 2 | 3 | 4 | 5 |
| 6 | 7 | 8 | 9 | 10 |
| 11 | 12 | | | |

i10

| | | | | | | | | | | | | | | | | | | | |
|----|----|----|----|----|----|----|----|----|----|----|----|----|----|----|----|----|----|----|----|
| 1 | 2 | 3 | 4 | 5 | 6 | 7 | 8 | 9 | 10 | 11 | 12 | 13 | 14 | 15 | 16 | 17 | 18 | 19 | 20 |
| 21 | 22 | 23 | 24 | 25 | 26 | 27 | 28 | 29 | 30 | 31 | 32 | 33 | 34 | 35 | 36 | 37 | 38 | 39 | 40 |

WI-34188

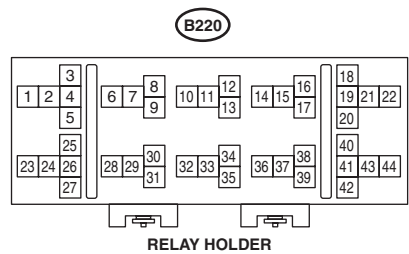
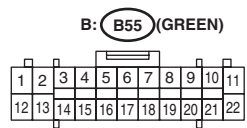
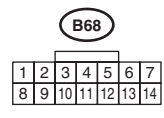
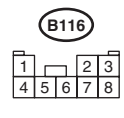
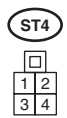
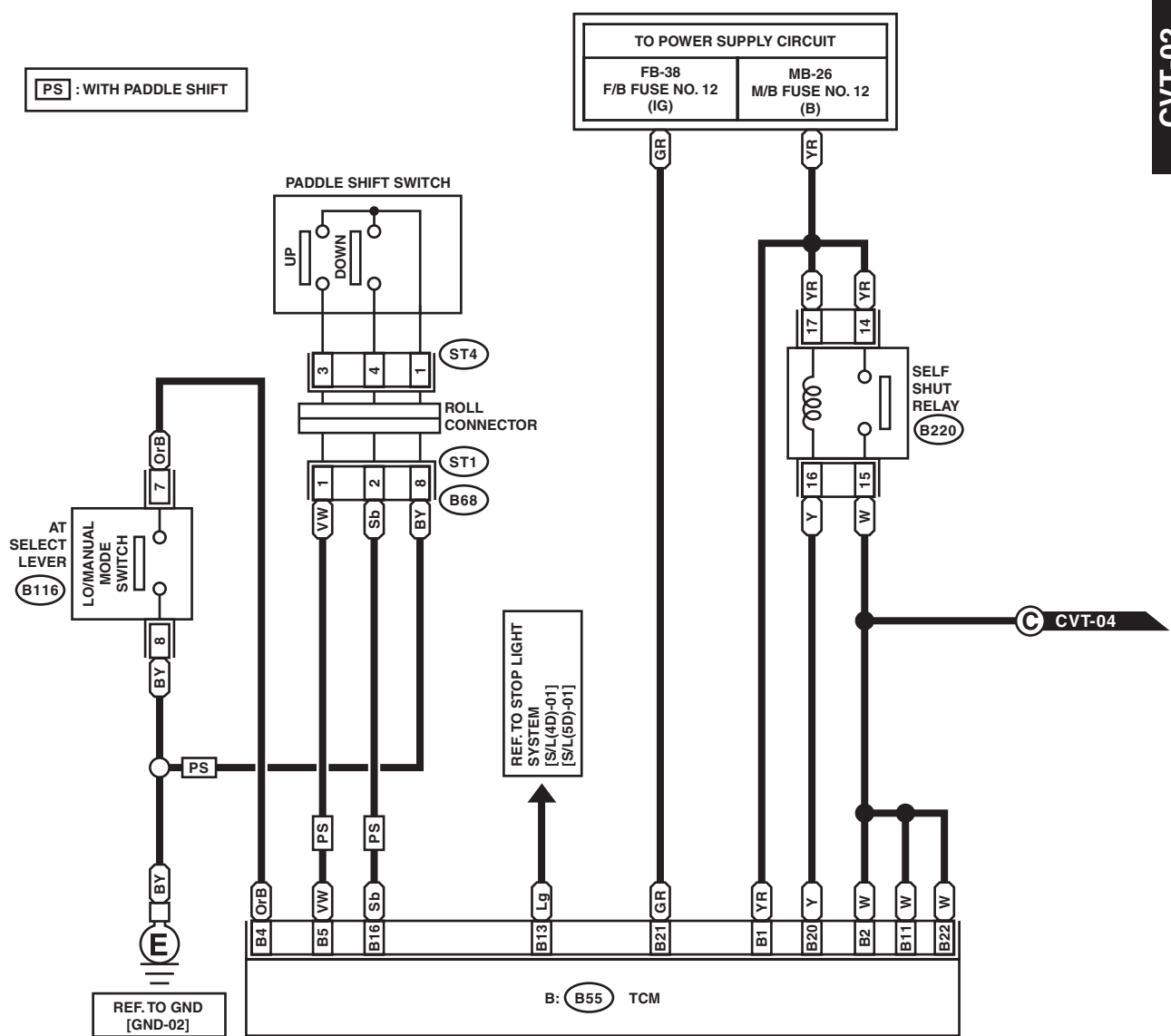
CVT Control System

WIRING SYSTEM

CVT-02

CVT-02

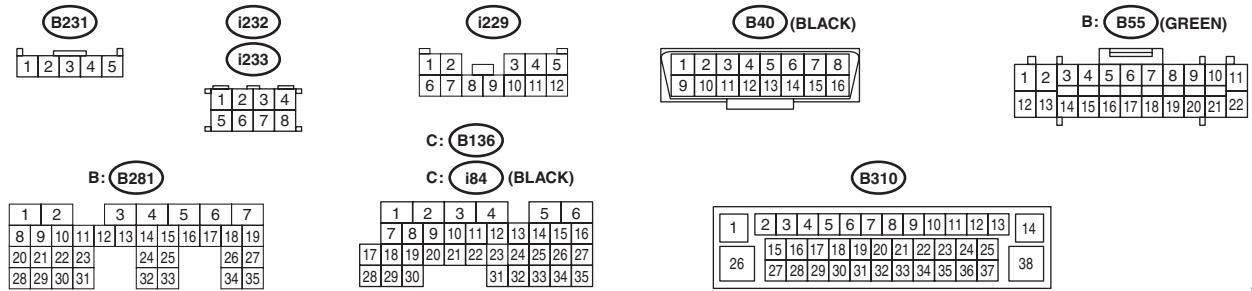
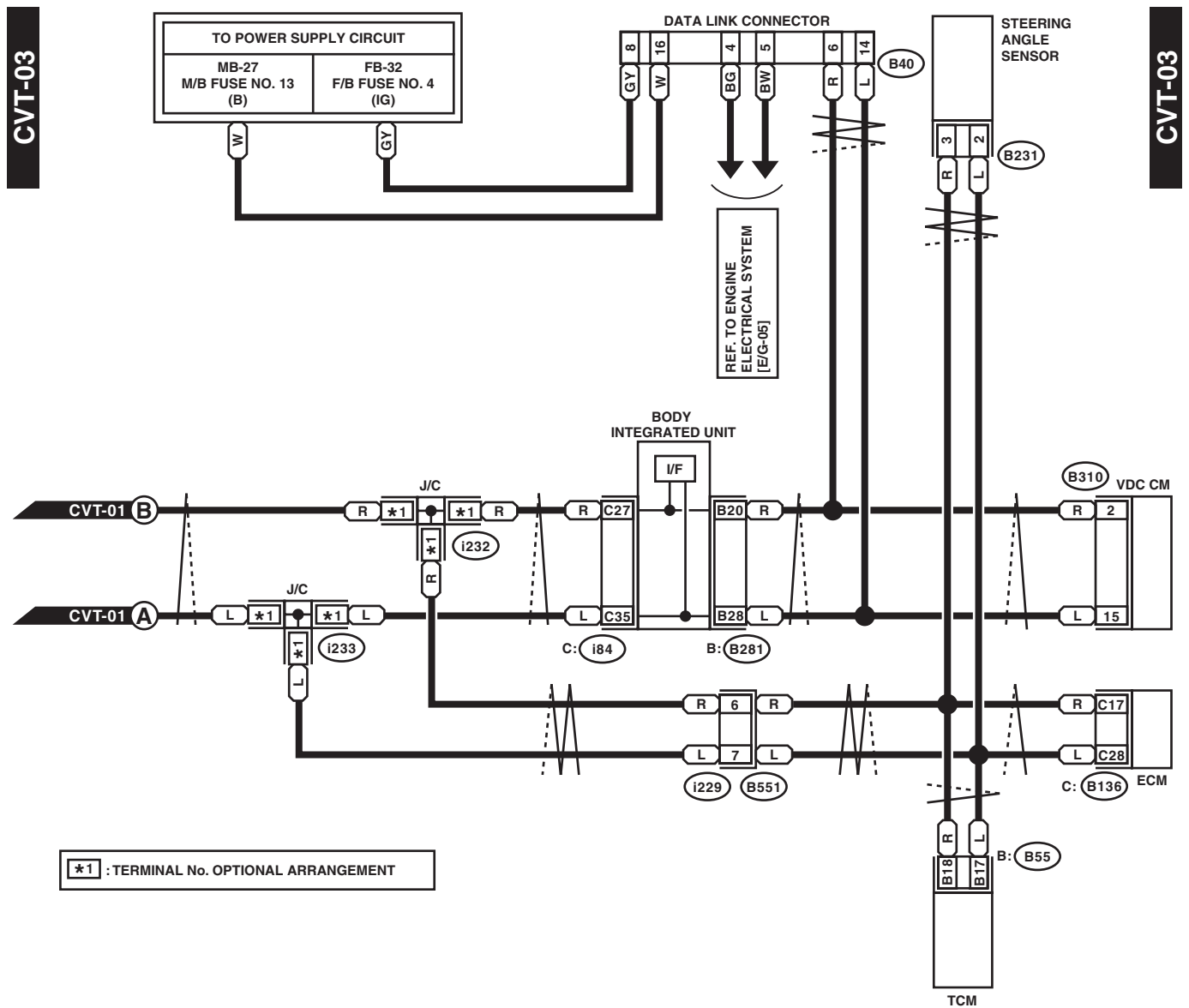
PS : WITH PADDLE SHIFT



WI-37828

CVT Control System

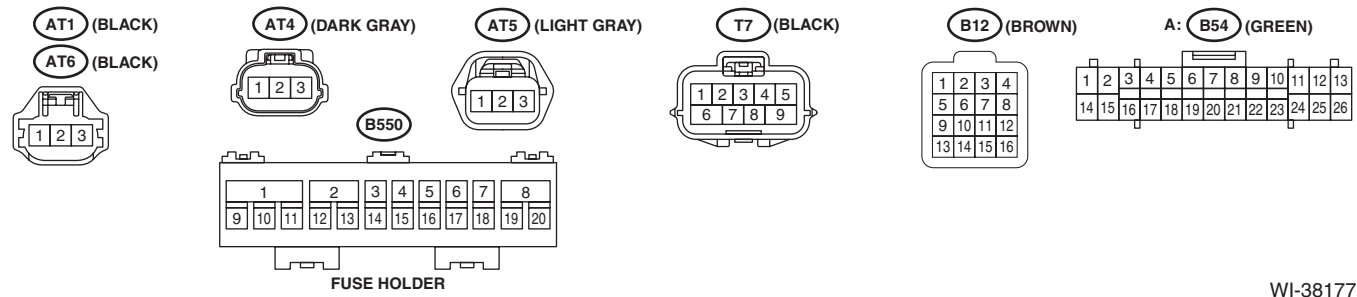
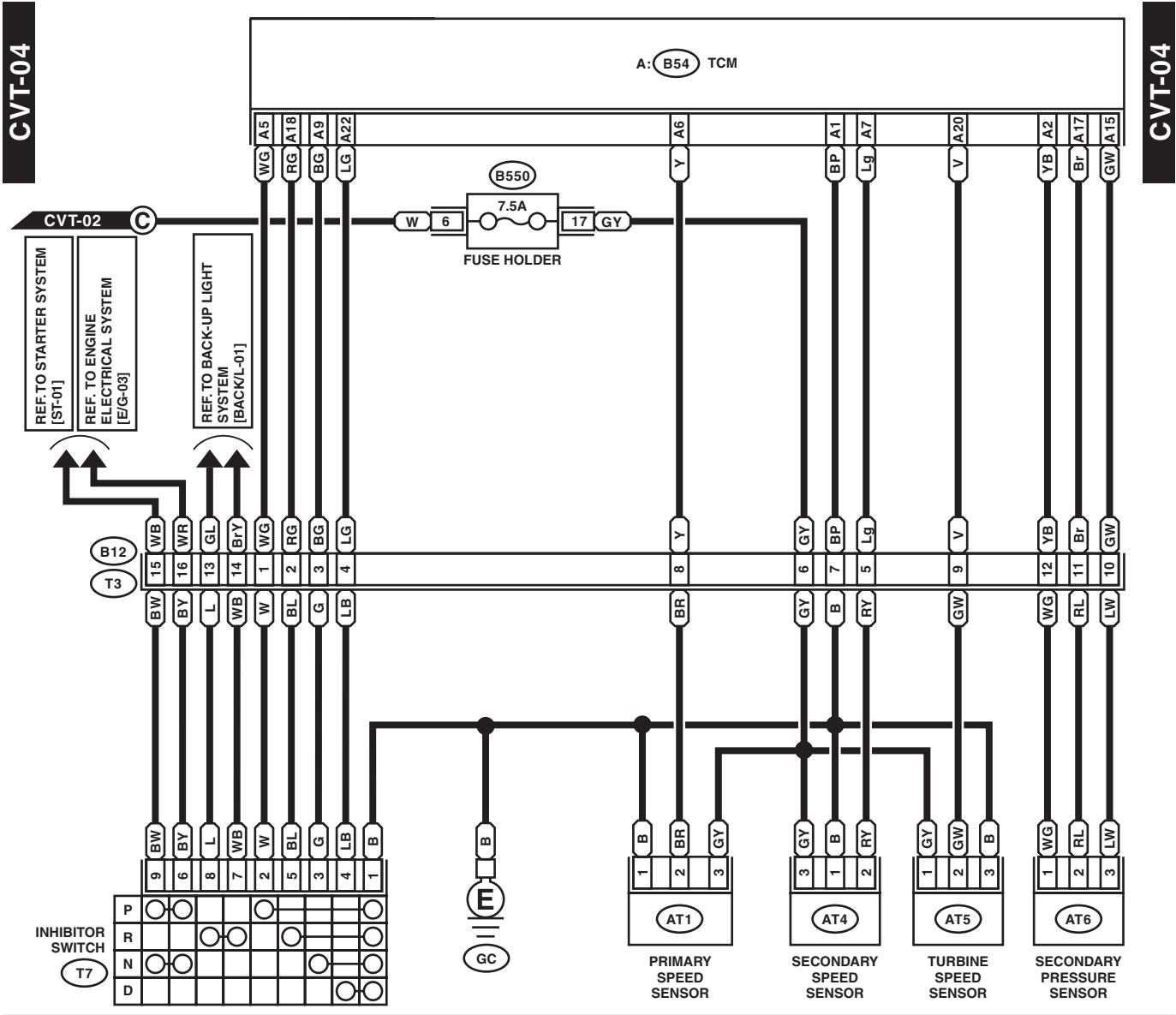
WIRING SYSTEM



WI-37829

CVT Control System

WIRING SYSTEM



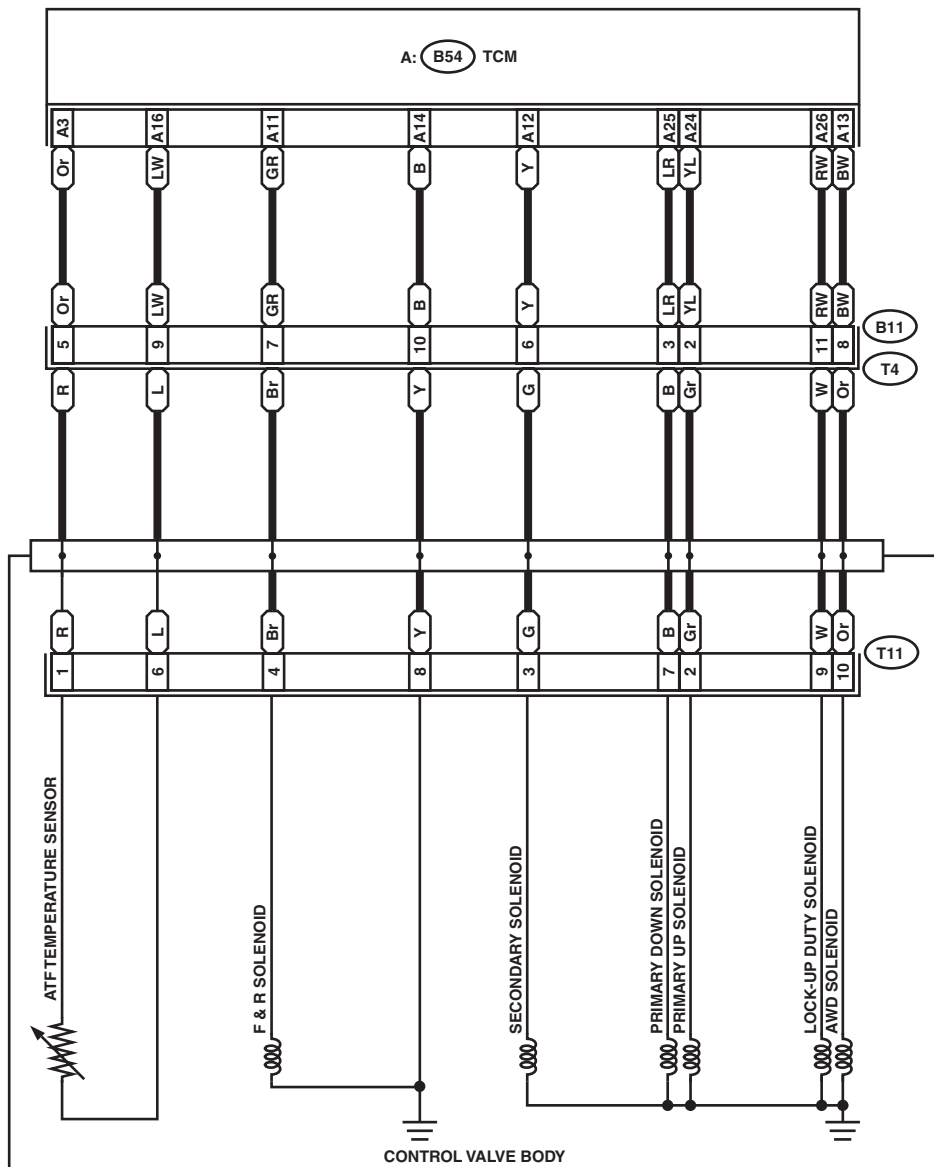
WI-38177

CVT Control System

WIRING SYSTEM

CVT-05

CVT-05



T11

B11 (LIGHT GRAY)

A: B54 (GREEN)

| | | | | |
|---|---|---|---|----|
| 1 | 2 | 3 | 4 | 5 |
| 6 | 7 | 8 | 9 | 10 |

| | | | |
|---|----|----|----|
| 1 | 2 | 3 | 4 |
| 5 | 6 | 7 | 8 |
| 9 | 10 | 11 | 12 |

| | | | | | | | | | | | | |
|----|----|----|----|----|----|----|----|----|----|----|----|----|
| 1 | 2 | 3 | 4 | 5 | 6 | 7 | 8 | 9 | 10 | 11 | 12 | 13 |
| 14 | 15 | 16 | 17 | 18 | 19 | 20 | 21 | 22 | 23 | 24 | 25 | 26 |

WI-34192