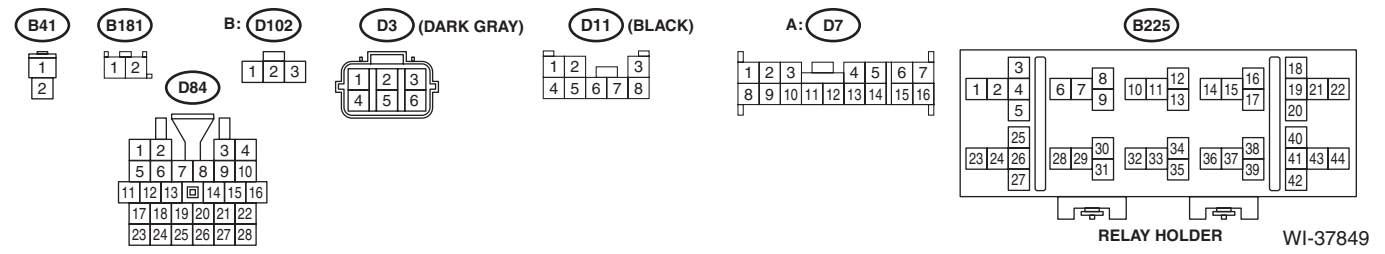
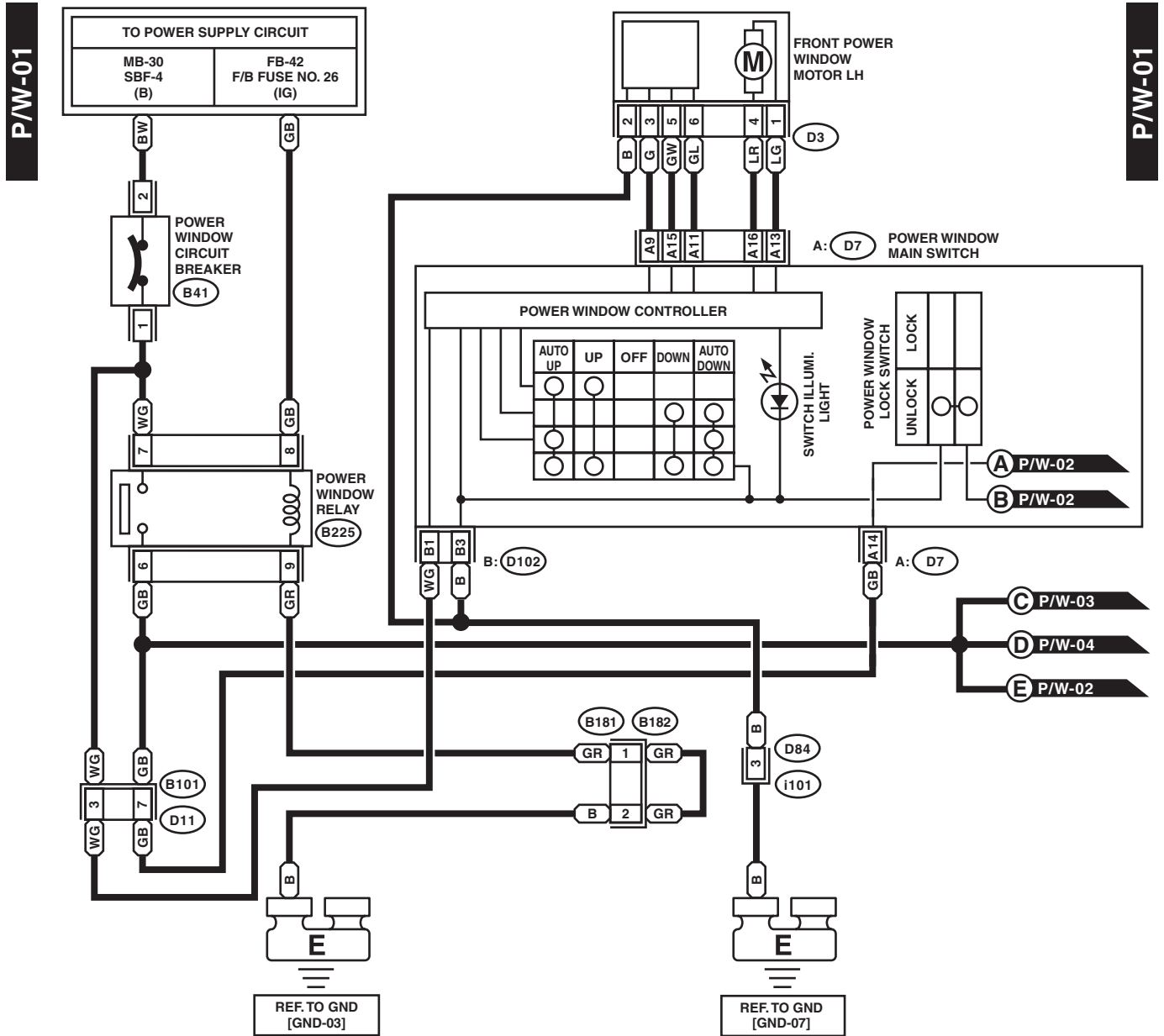


Power Window System

WIRING SYSTEM

33. Power Window System

A: WIRING DIAGRAM

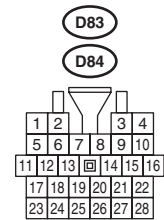
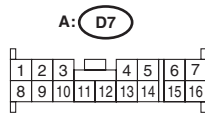
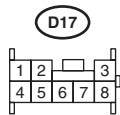
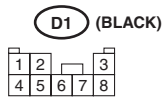
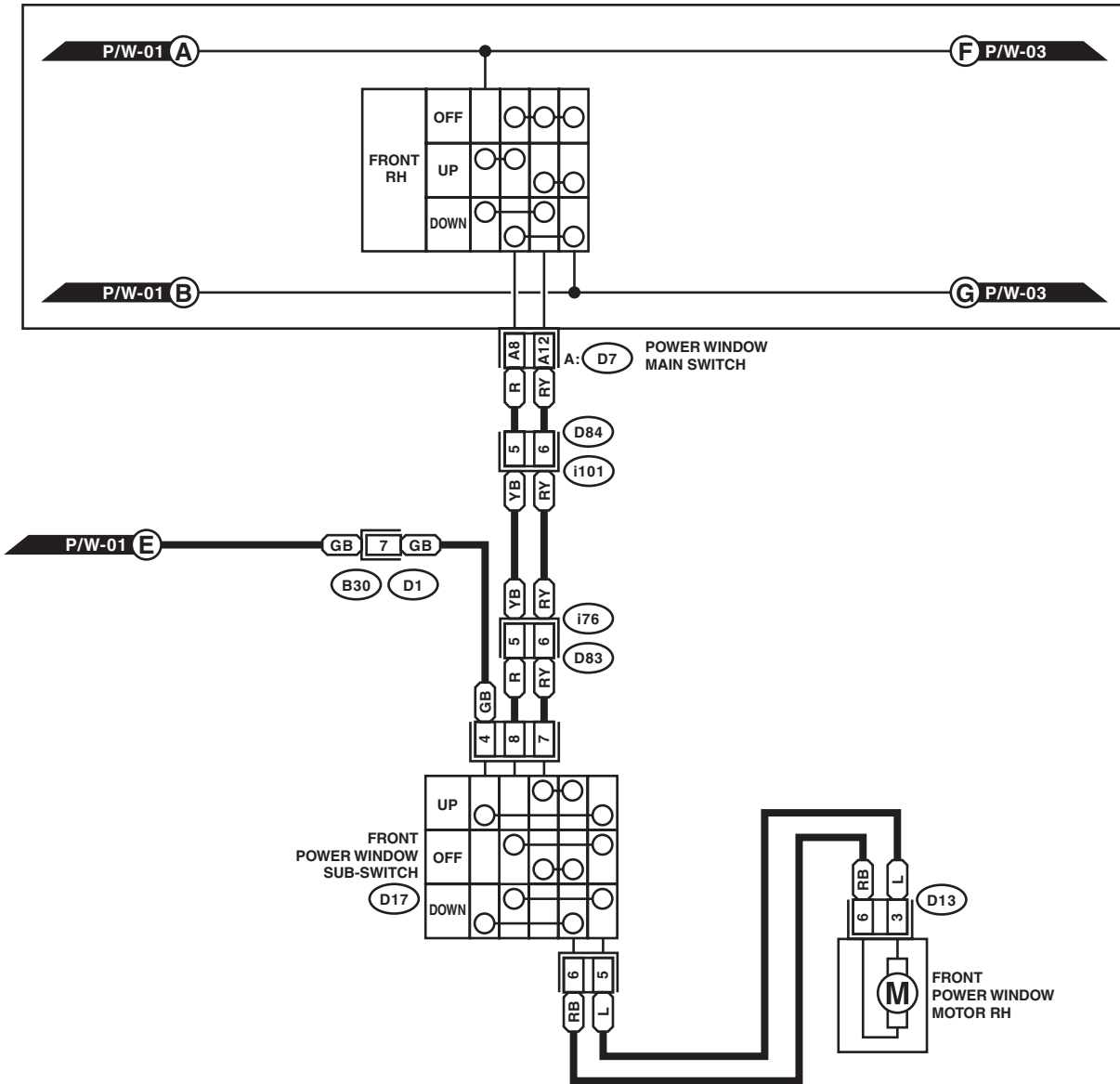


Power Window System

WIRING SYSTEM

P/W-02

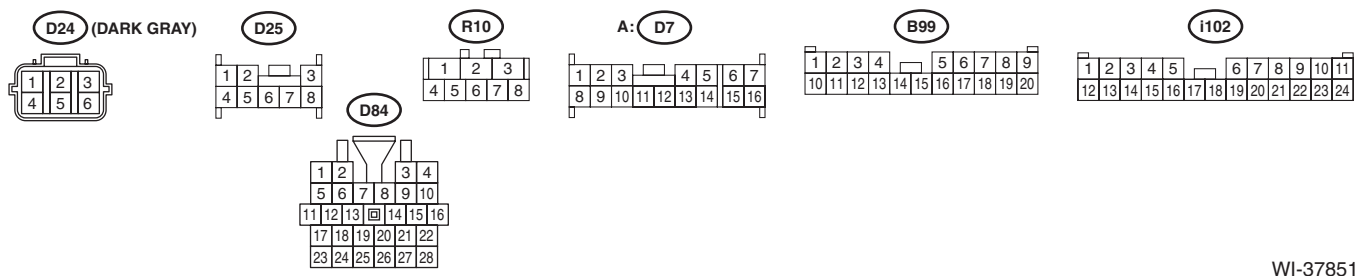
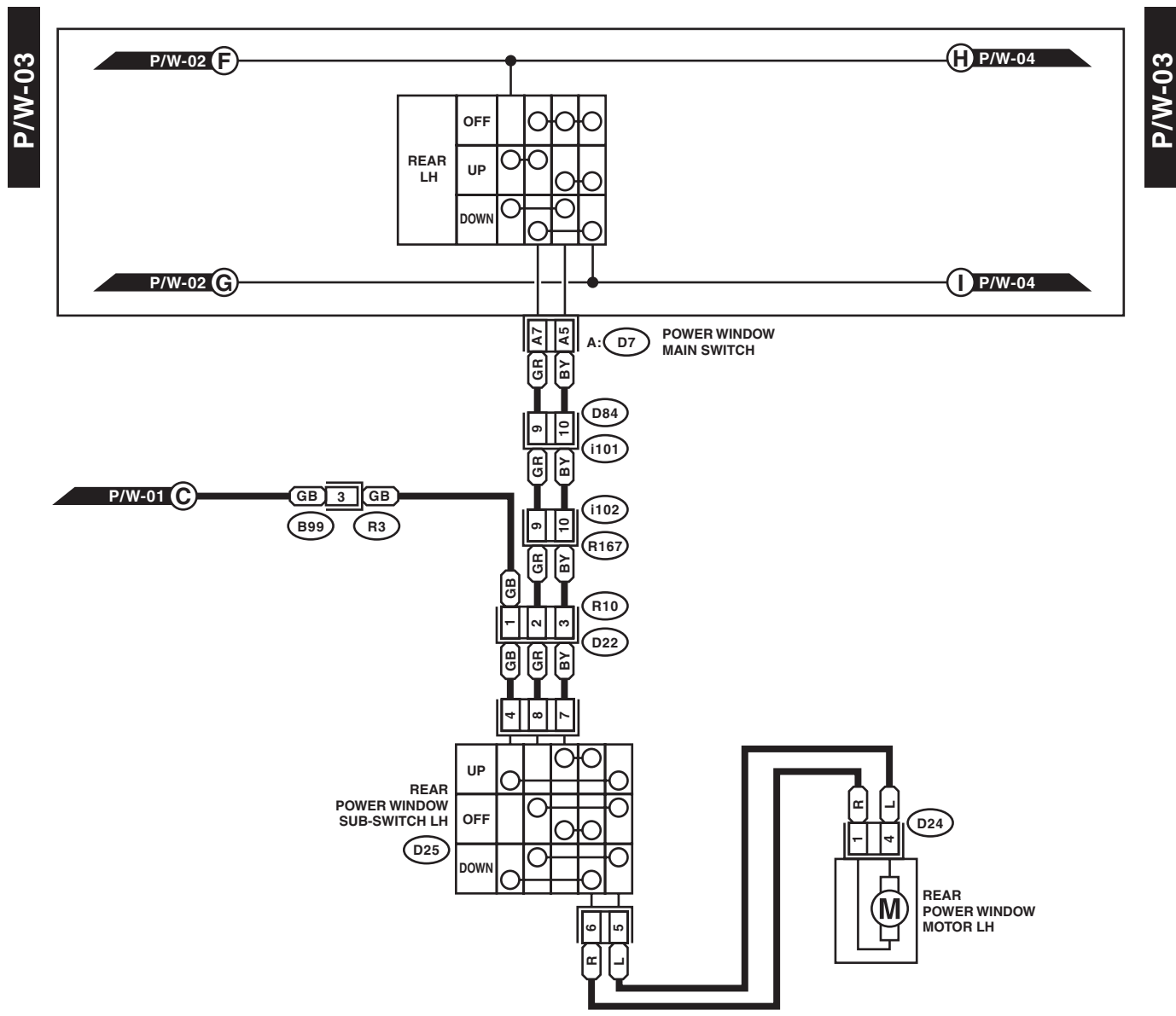
P/W-02



WI-37850

Power Window System

WIRING SYSTEM



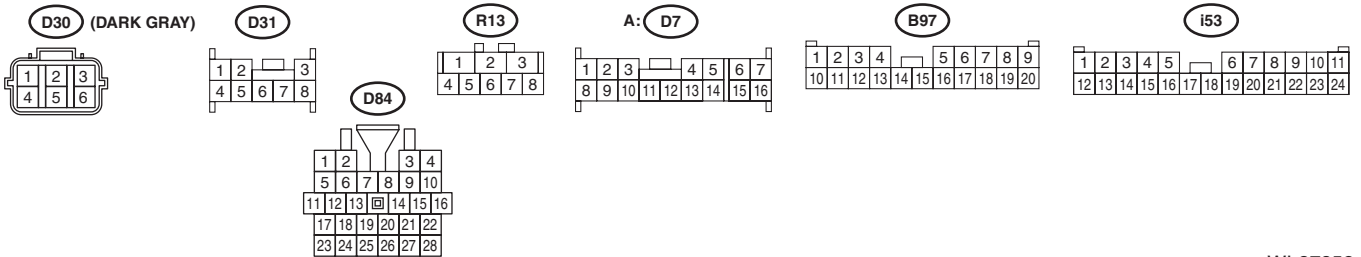
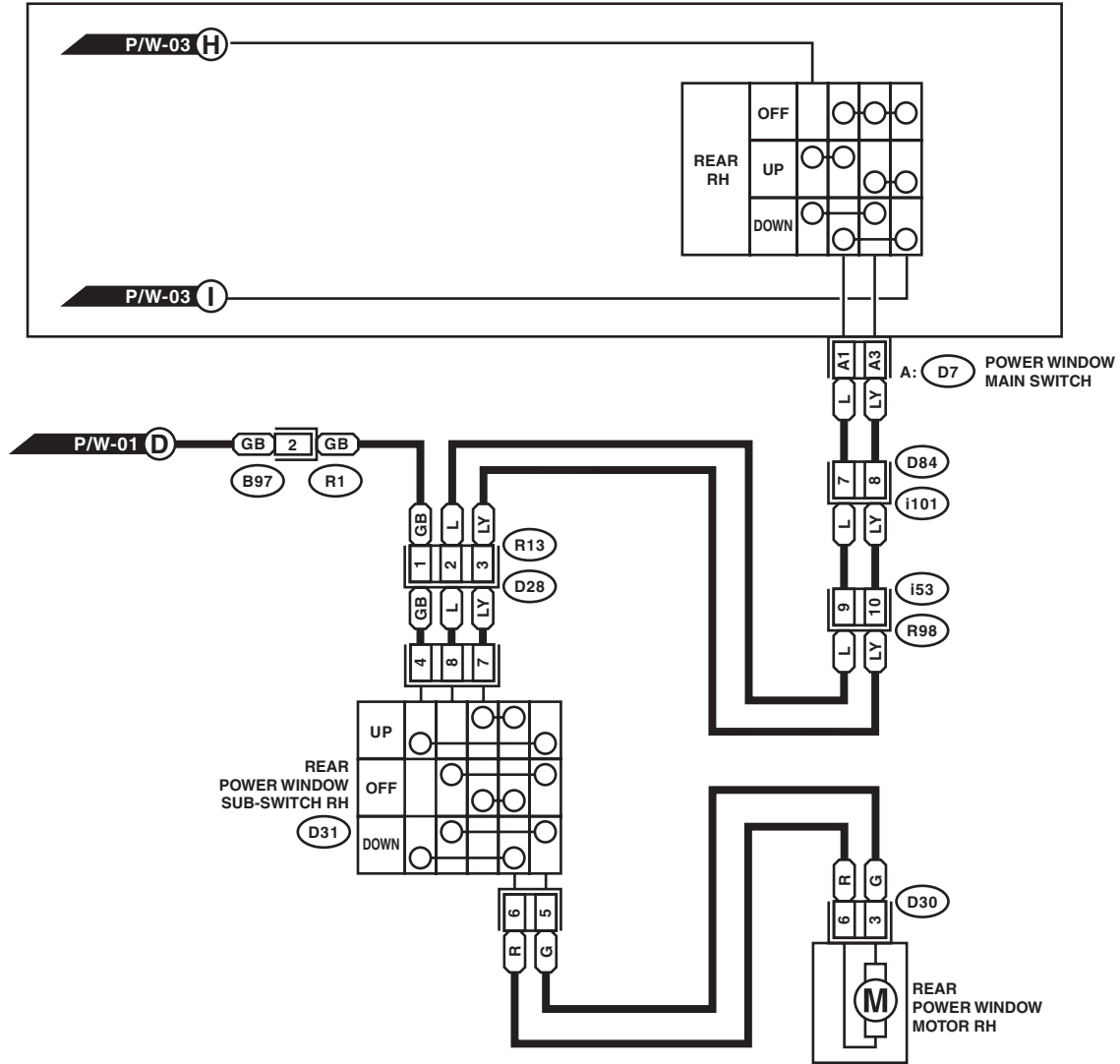
WI-37851

Power Window System

WIRING SYSTEM

P/W-04

P/W-04



WI-37852