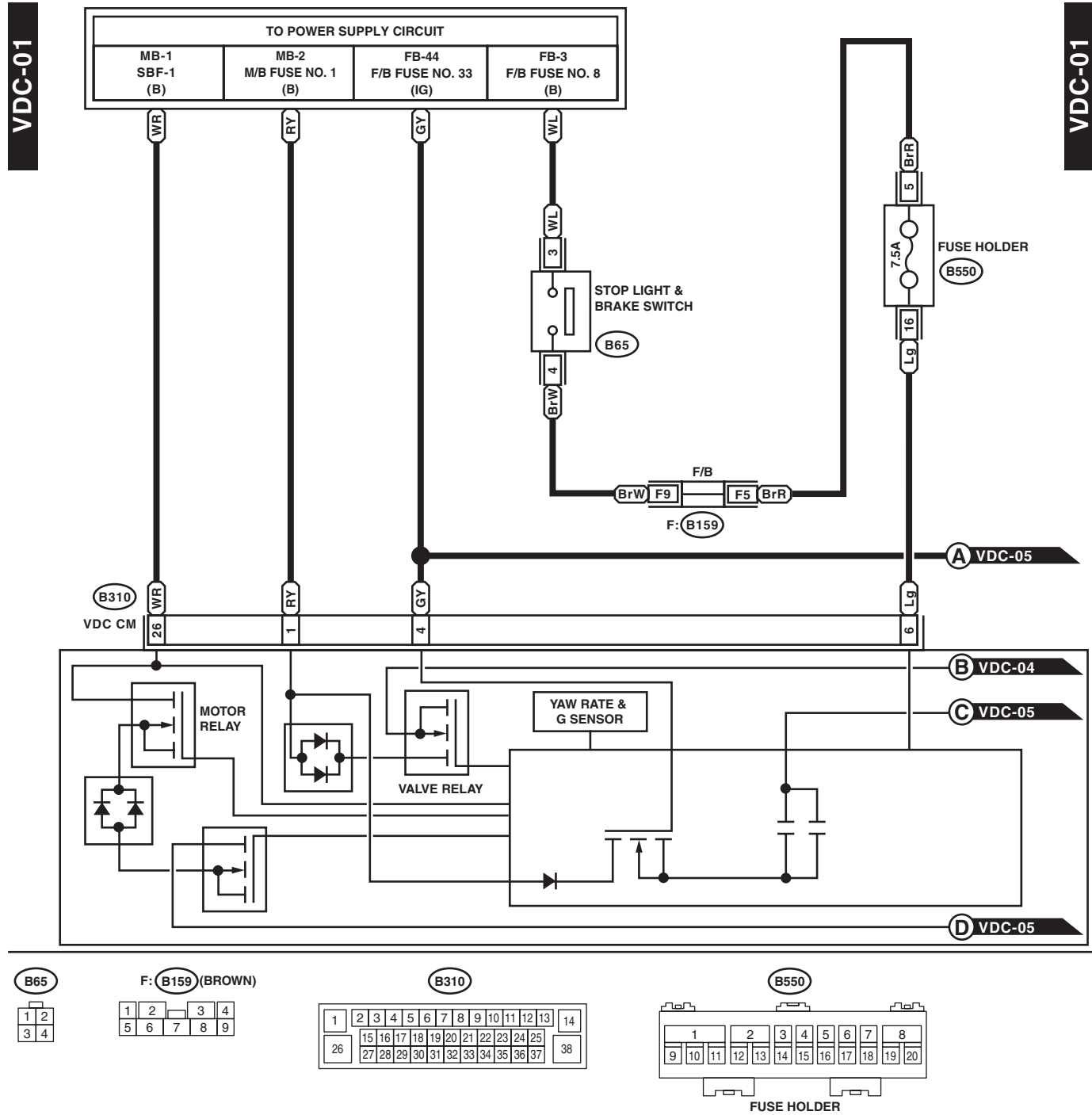


Vehicle Dynamics Control System

WIRING SYSTEM

52. Vehicle Dynamics Control System

A: WIRING DIAGRAM



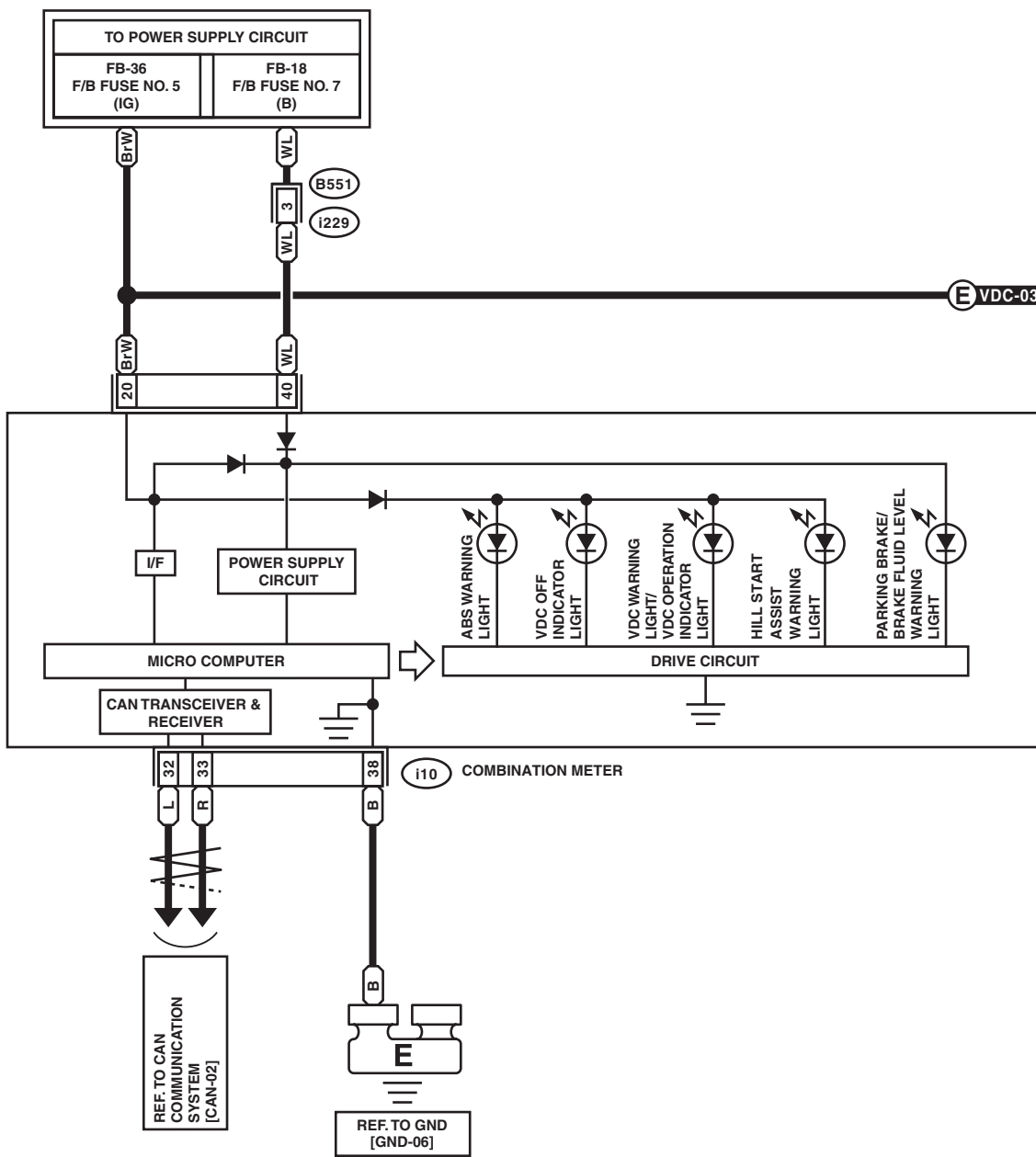
WI-34261

Vehicle Dynamics Control System

WIRING SYSTEM

VDC-02

VDC-02



E VDC-03

i229

| | | | | |
|----|----|---|---|----|
| 1 | 2 | 3 | 4 | 5 |
| 6 | 7 | 8 | 9 | 10 |
| 11 | 12 | | | |

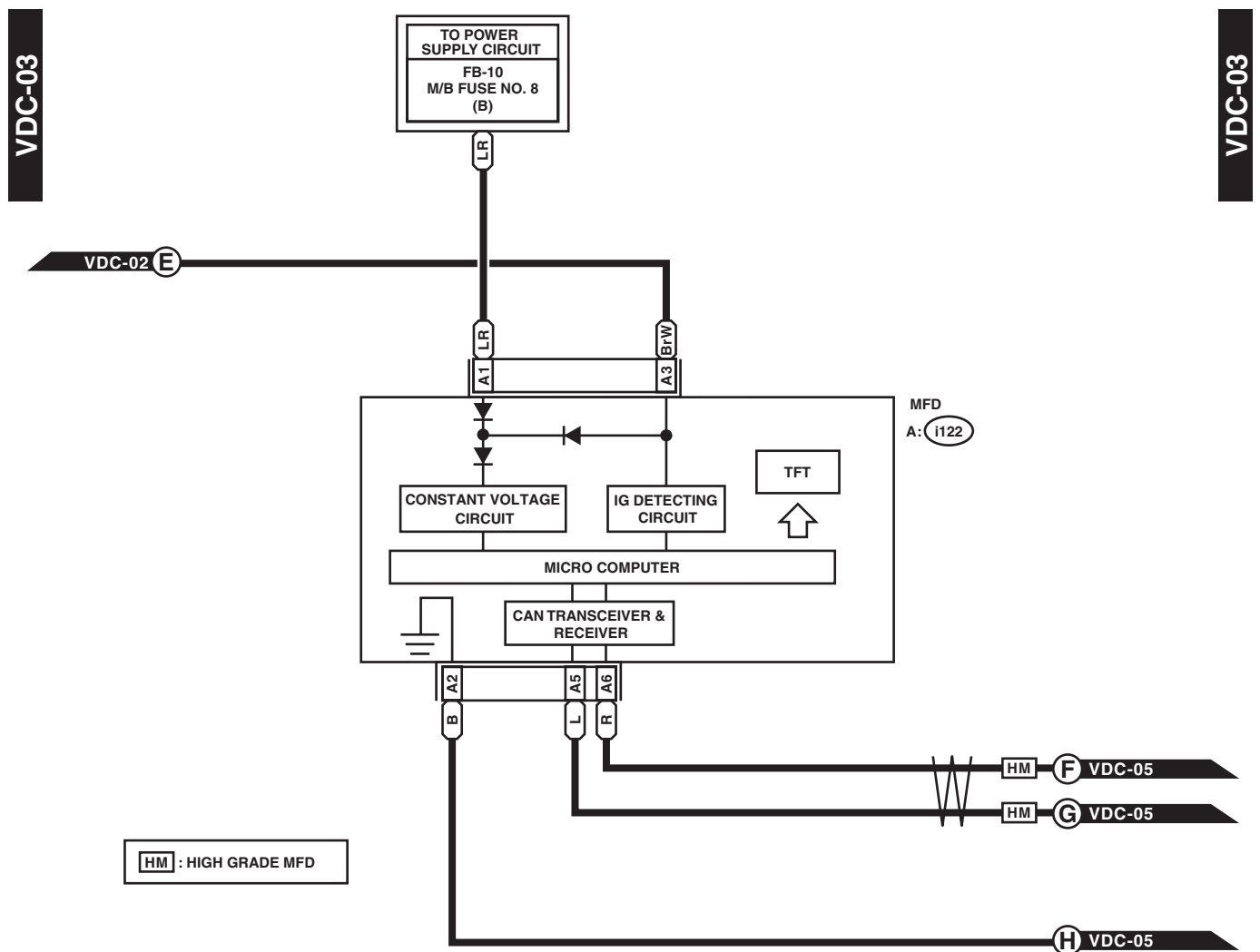
i10

| | | | | | | | | | | | | | | | | | | | |
|----|----|----|----|----|----|----|----|----|----|----|----|----|----|----|----|----|----|----|----|
| 1 | 2 | 3 | 4 | 5 | 6 | 7 | 8 | 9 | 10 | 11 | 12 | 13 | 14 | 15 | 16 | 17 | 18 | 19 | 20 |
| 21 | 22 | 23 | 24 | 25 | 26 | 27 | 28 | 29 | 30 | 31 | 32 | 33 | 34 | 35 | 36 | 37 | 38 | 39 | 40 |

WI-37866

Vehicle Dynamics Control System

WIRING SYSTEM



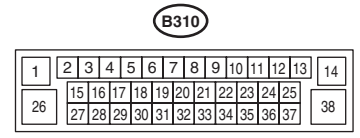
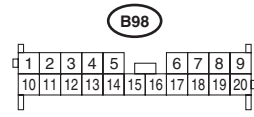
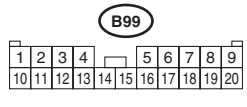
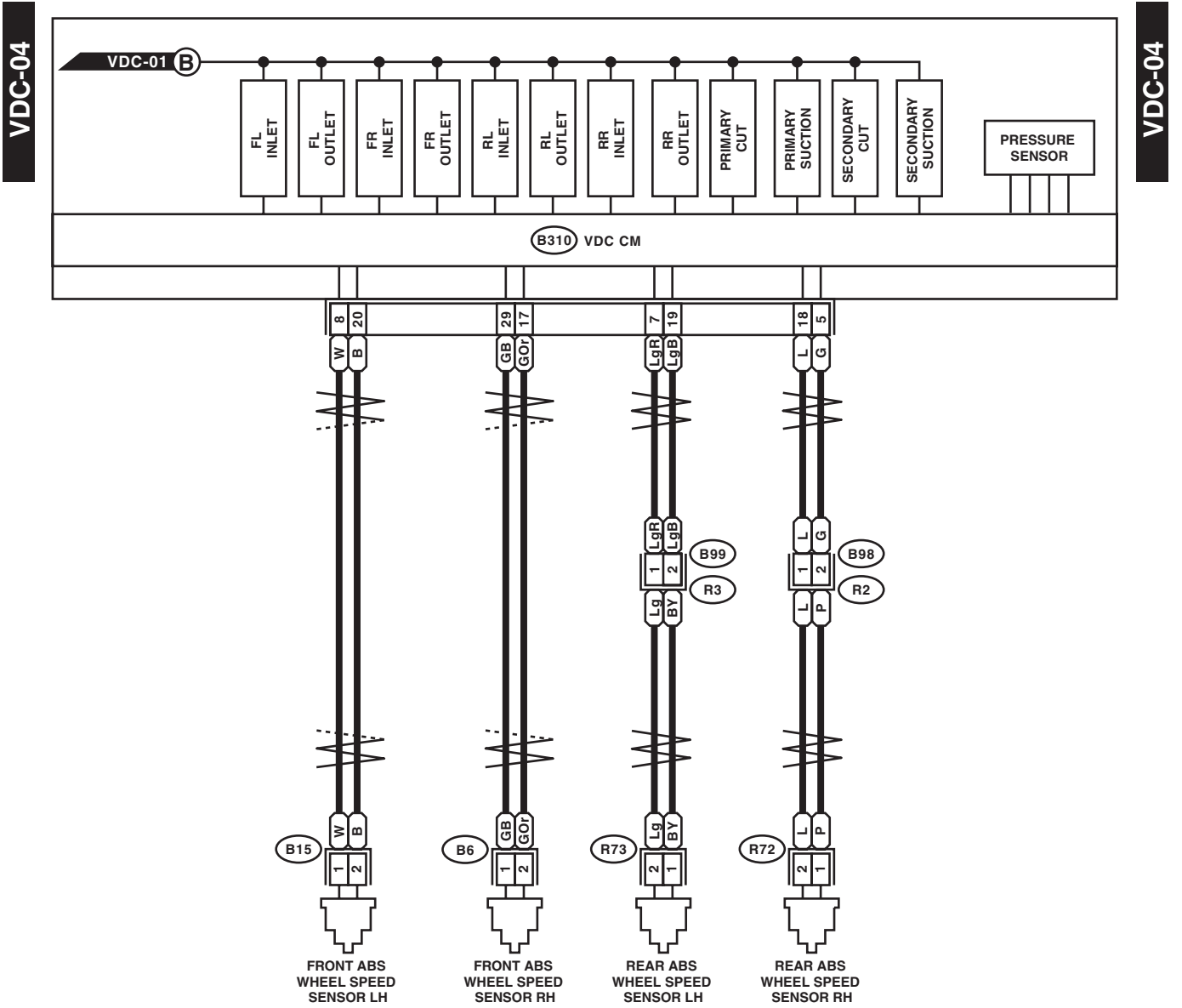
A: **i122** (BLACK)

| | | | | | |
|---|---|---|----|----|----|
| 1 | 2 | 3 | 4 | 5 | 6 |
| 7 | 8 | 9 | 10 | 11 | 12 |

WI-37867

Vehicle Dynamics Control System

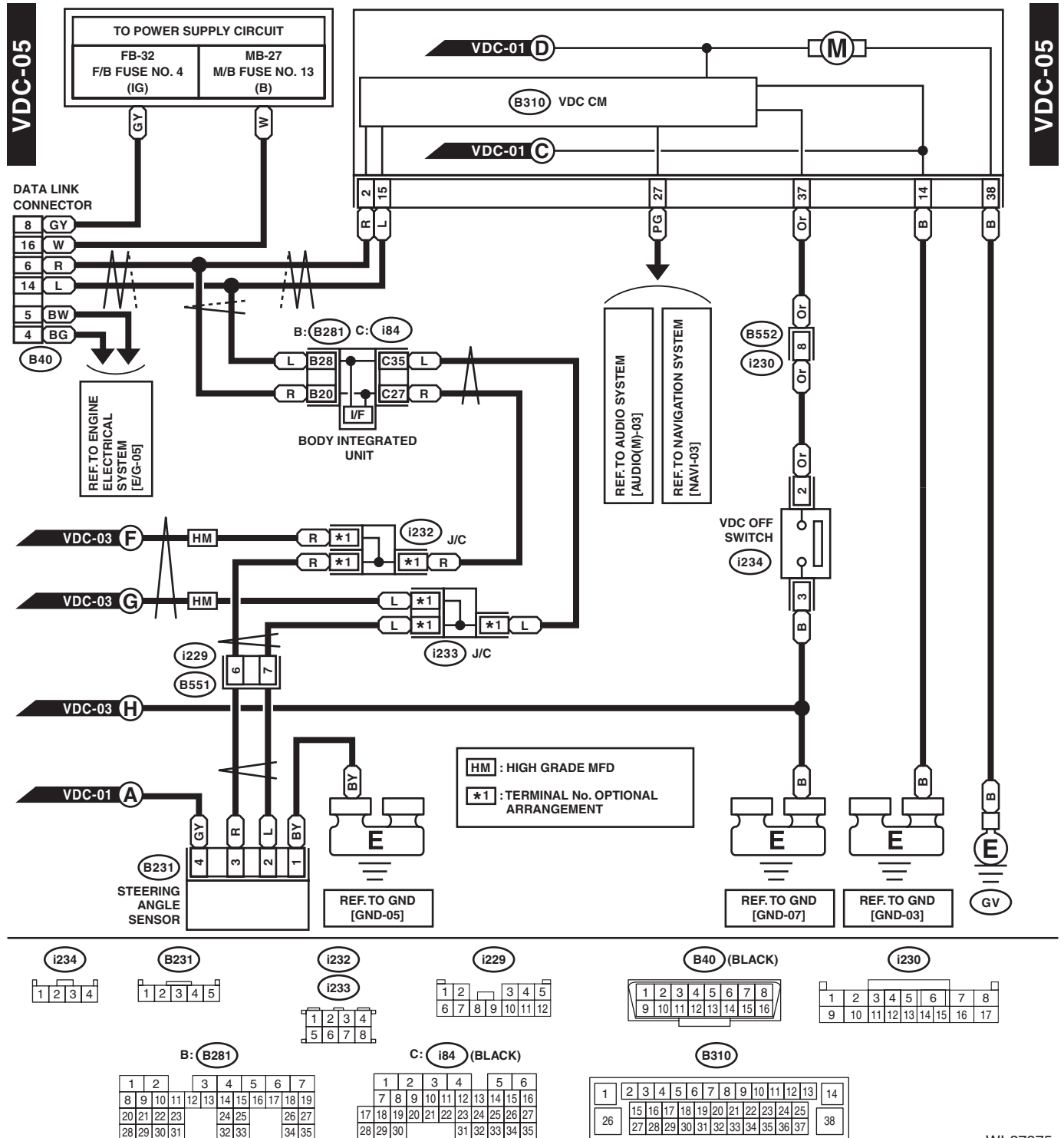
WIRING SYSTEM



WI-34264

Vehicle Dynamics Control System

WIRING SYSTEM



WI-37875