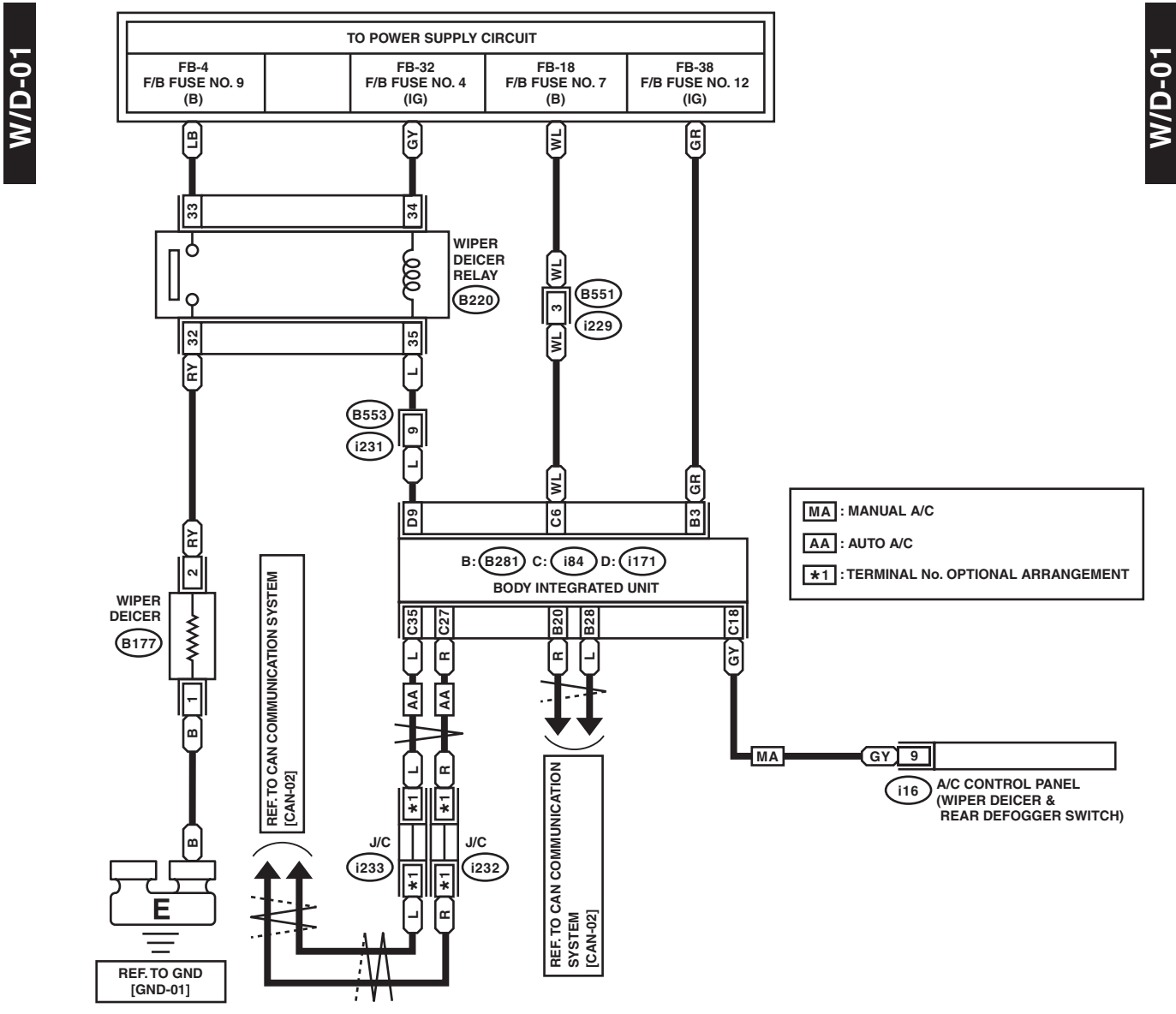
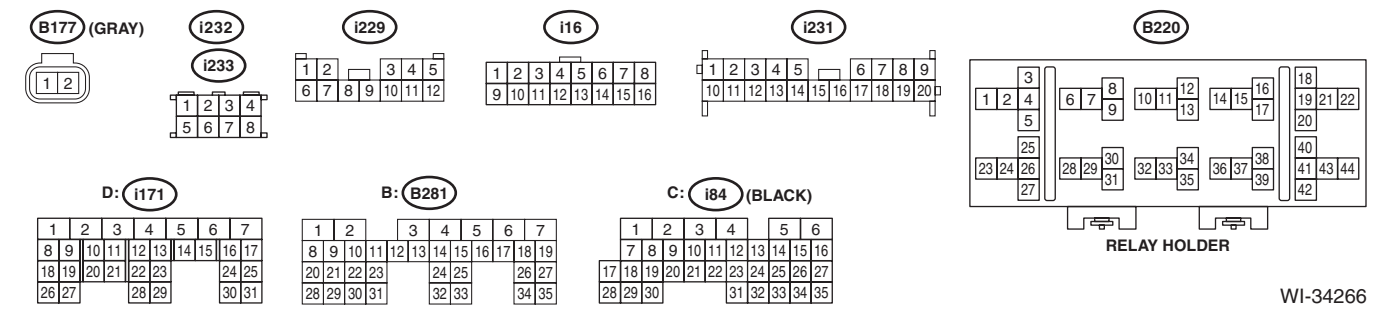


53. Wiper Deicer System

A: WIRING DIAGRAM



MA : MANUAL A/C
AA : AUTO A/C
***1** : TERMINAL No. OPTIONAL ARRANGEMENT



WI-34266