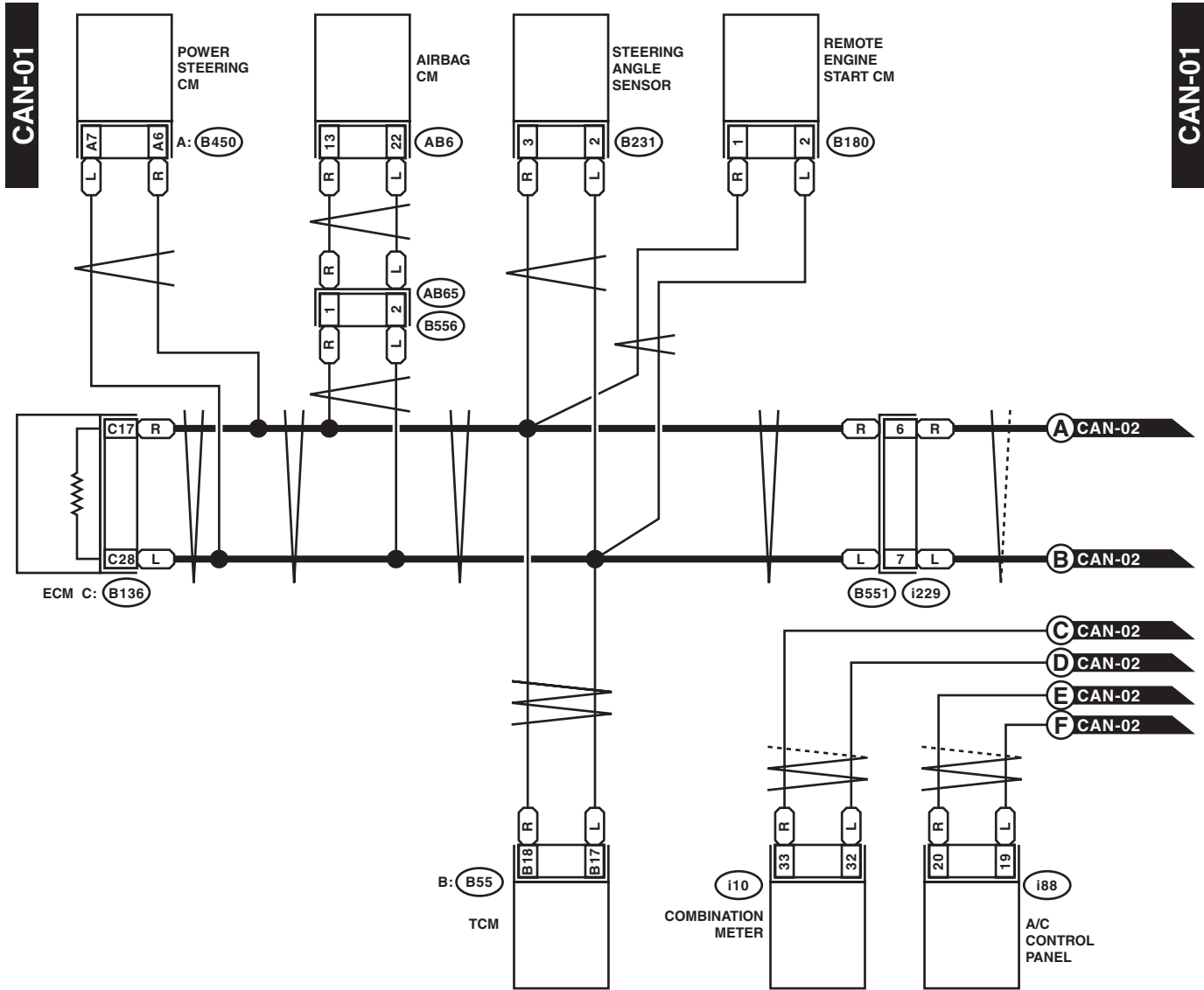


# CAN Communication System

WIRING SYSTEM

## 9. CAN Communication System

### A: WIRING DIAGRAM



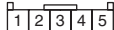
B556



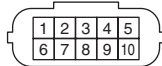
B180



B231



A: B450 (BLACK)



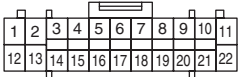
i229



AB6 (YELLOW)



B: B55 (GREEN)

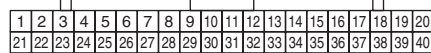


C: B136



i10

i88



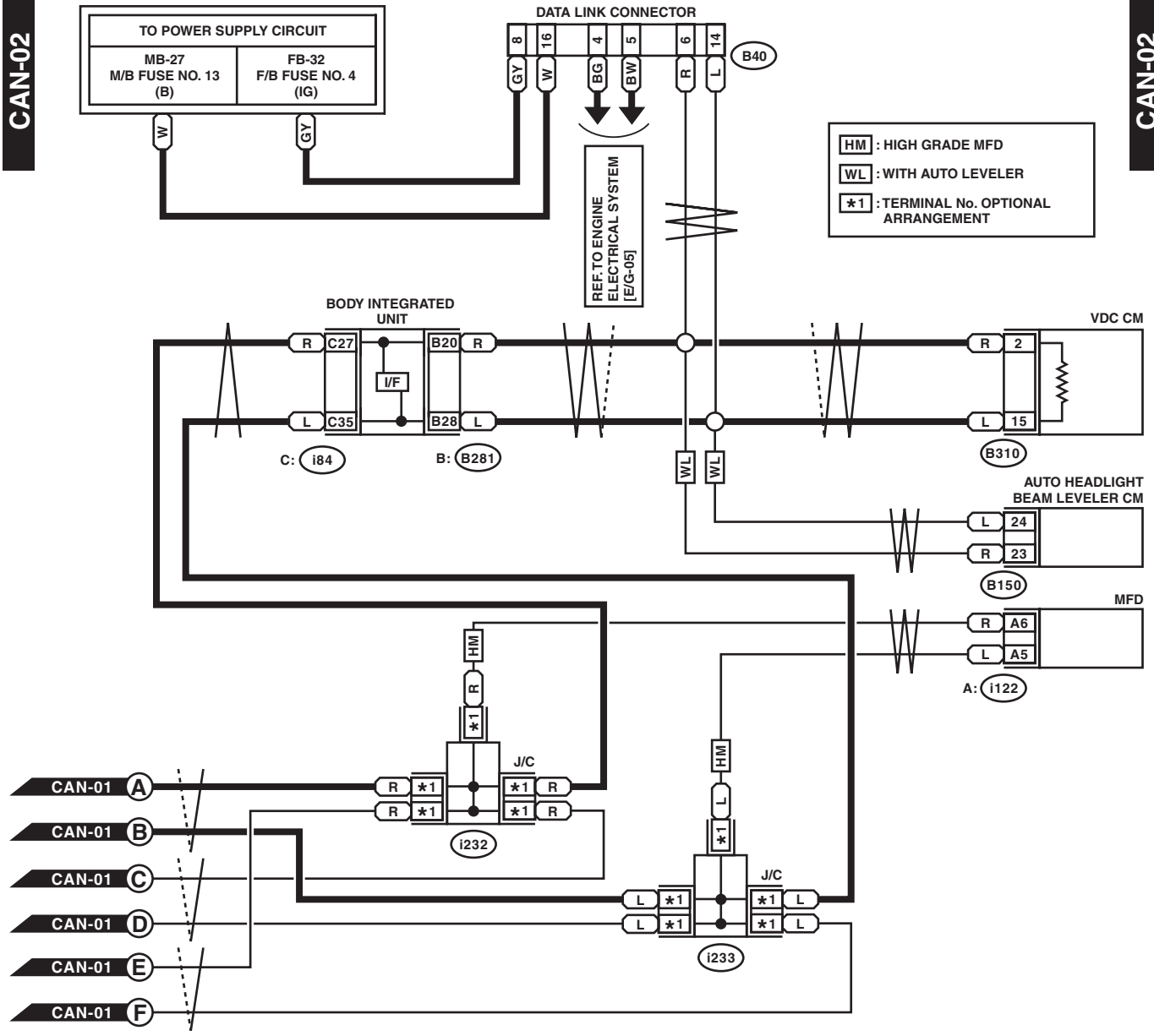
WI-34165

# CAN Communication System

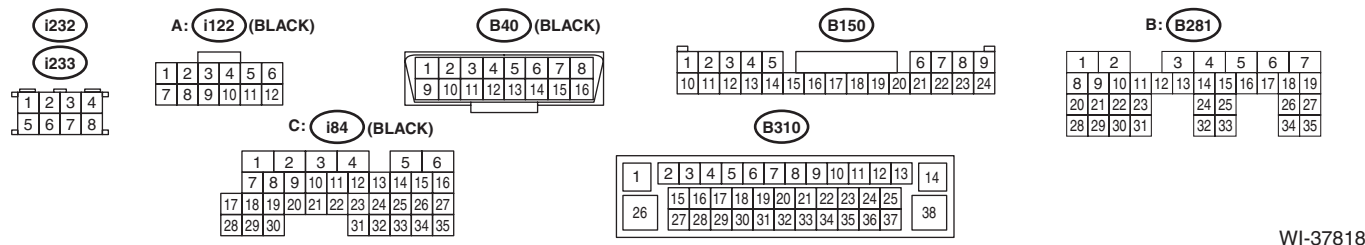
WIRING SYSTEM

CAN-02

CAN-02



HM : HIGH GRADE MFD  
 WL : WITH AUTO LEVELER  
 \*1 : TERMINAL No. OPTIONAL ARRANGEMENT



WI-37818