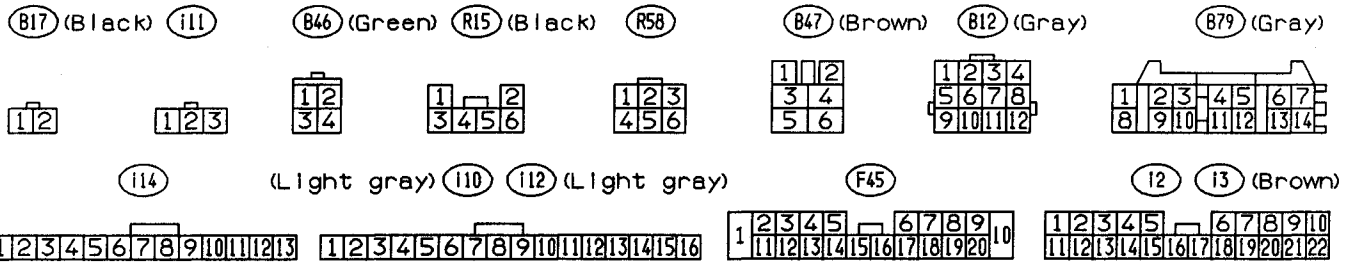
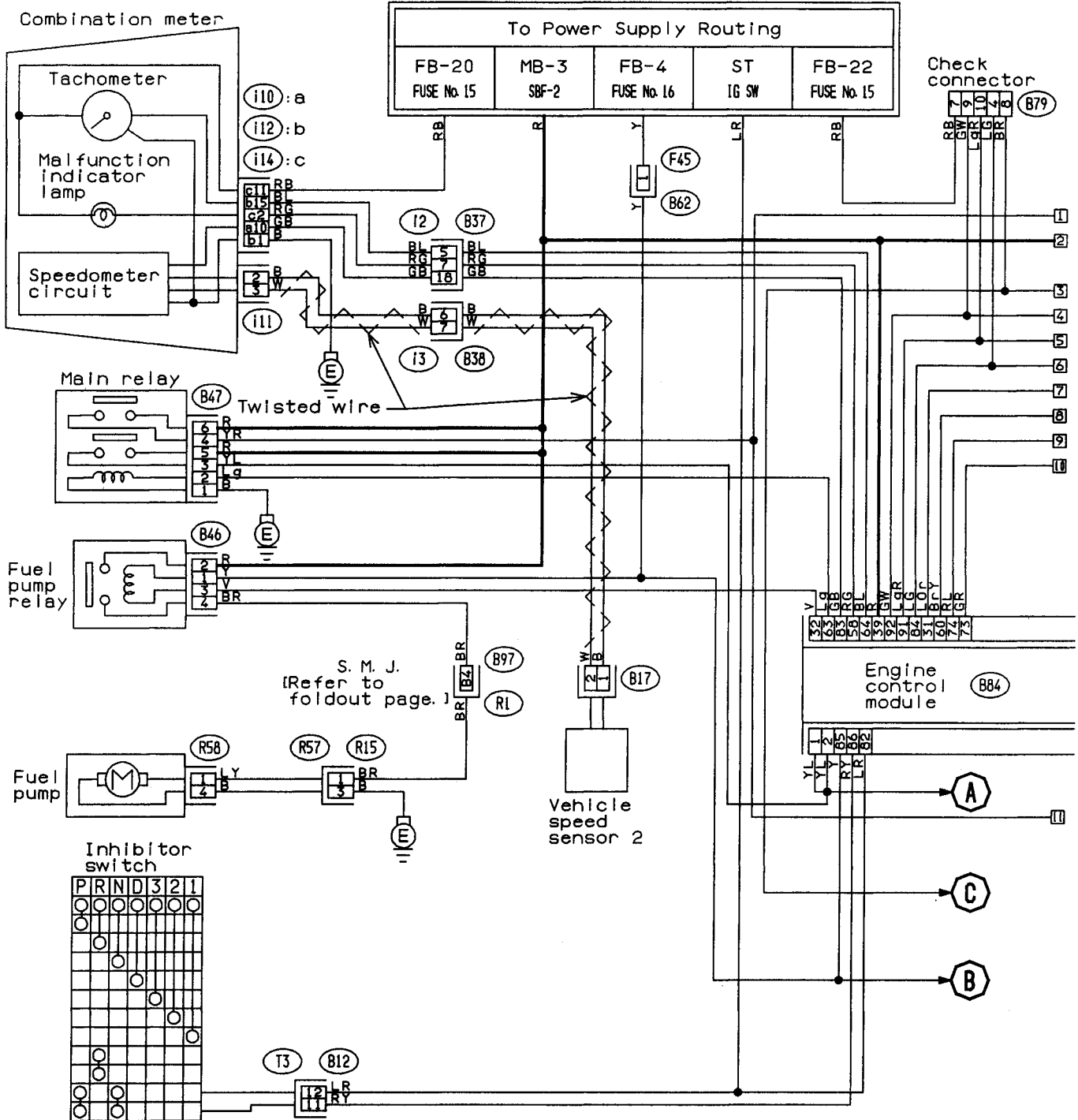
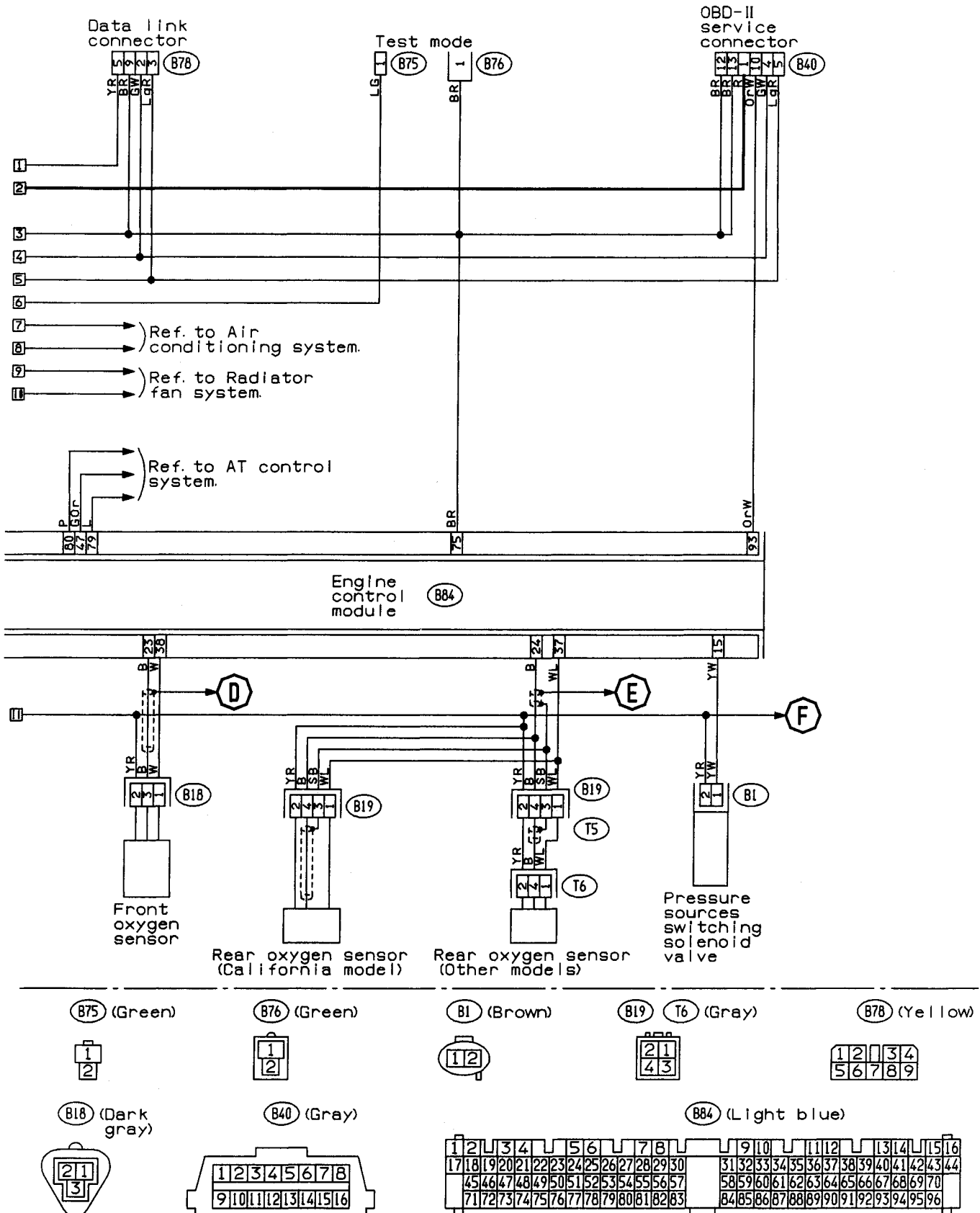


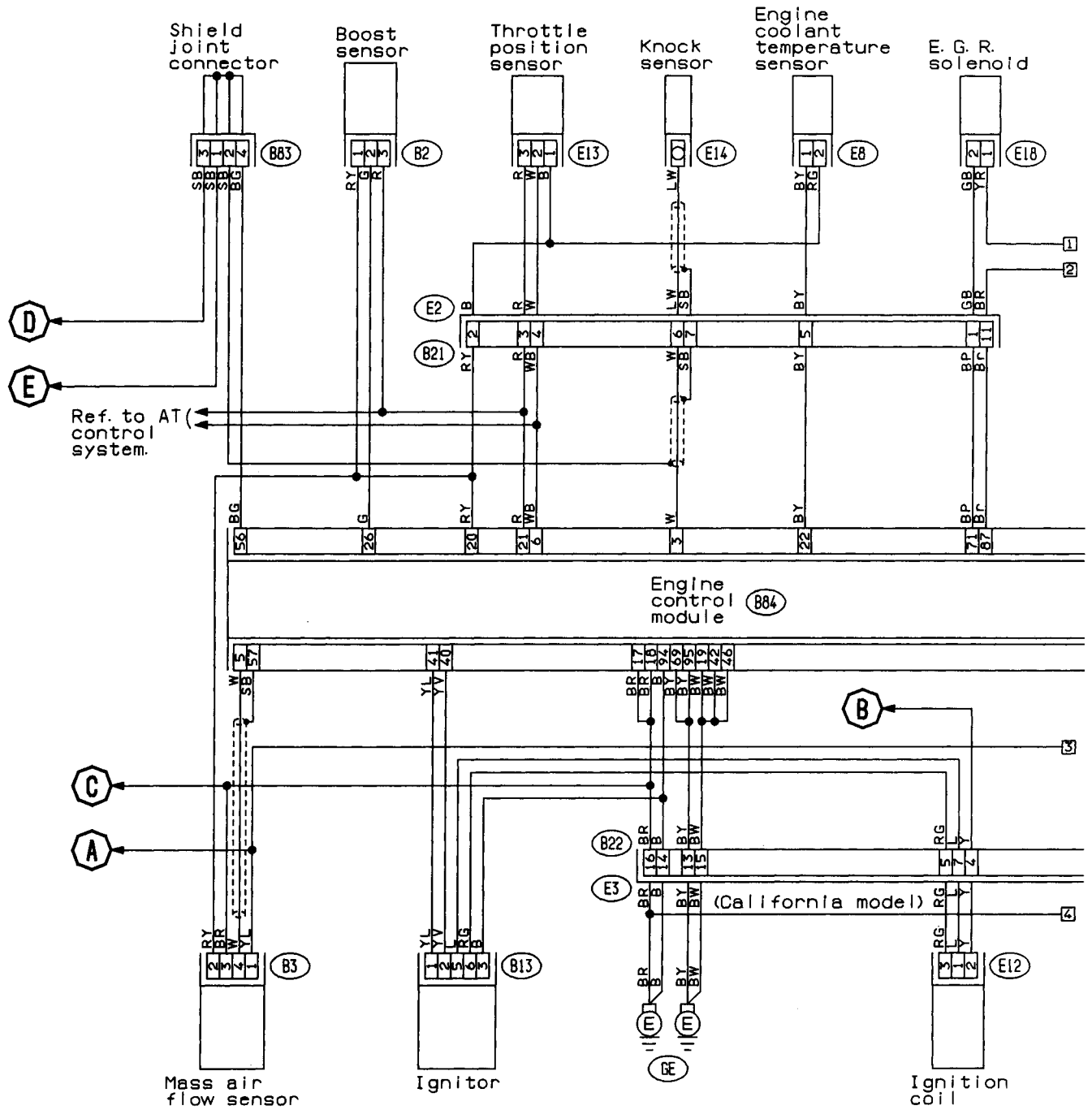
### 6. Wiring Diagram and Wiring Harness

#### A: WIRING DIAGRAM

##### 1. ENGINE ELECTRICAL SYSTEM







- (Brown) (E18) (E8) (Brown) (Black) (B2) (E13) (Brown) (E12) (Gray) (B83)
  - (B3) (Gray) (B13) (Gray) (B21) (Light gray) (B22) (Light gray)
- |   |   |
|---|---|
| 1 | 2 |
|---|---|

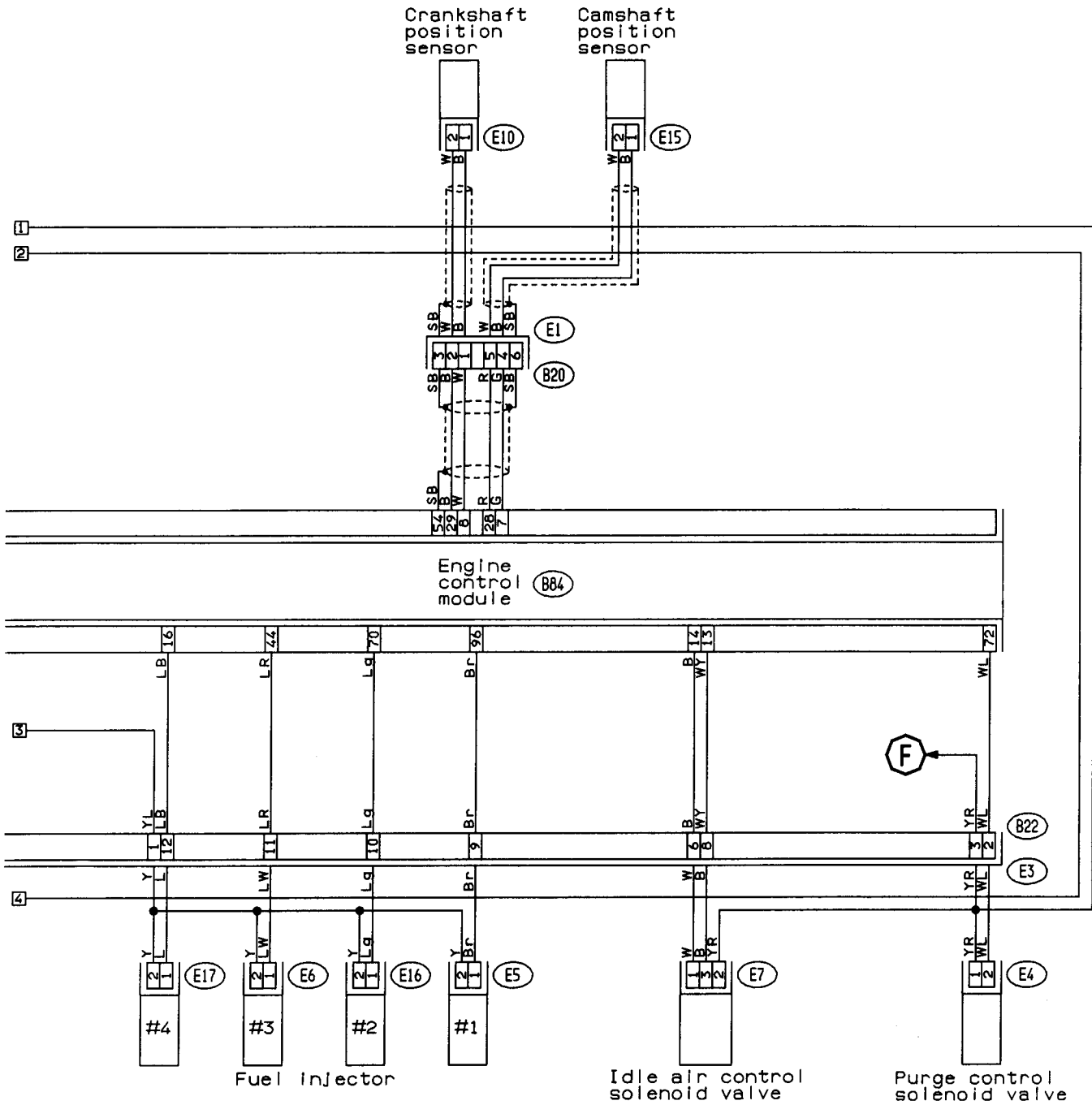
1	2	3
---	---	---

1	2	3
---	---	---

1	2	3	4
---	---	---	---
- |   |   |   |   |   |
|---|---|---|---|---|
| 1 | 2 | 3 | 4 | 5 |
|---|---|---|---|---|

1	2	3	4	5	6
---	---	---	---	---	---

1	2	3	4
5	6	7	8
9	10	11	12
13	14	15	16



- (E15) (Dark gray) (Light gray) (E5) (E16) (Light gray)
- (E10) (Gray) (Dark gray) (E6) (E17) (Dark gray)



(B84) (Light blue)

(E4) (Blue)

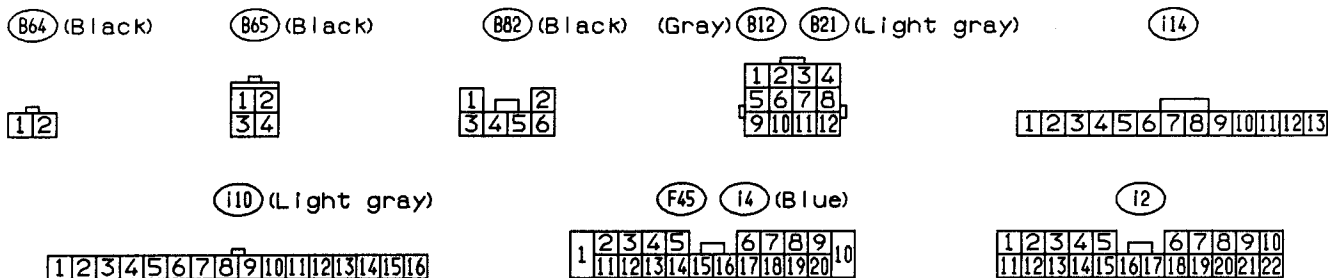
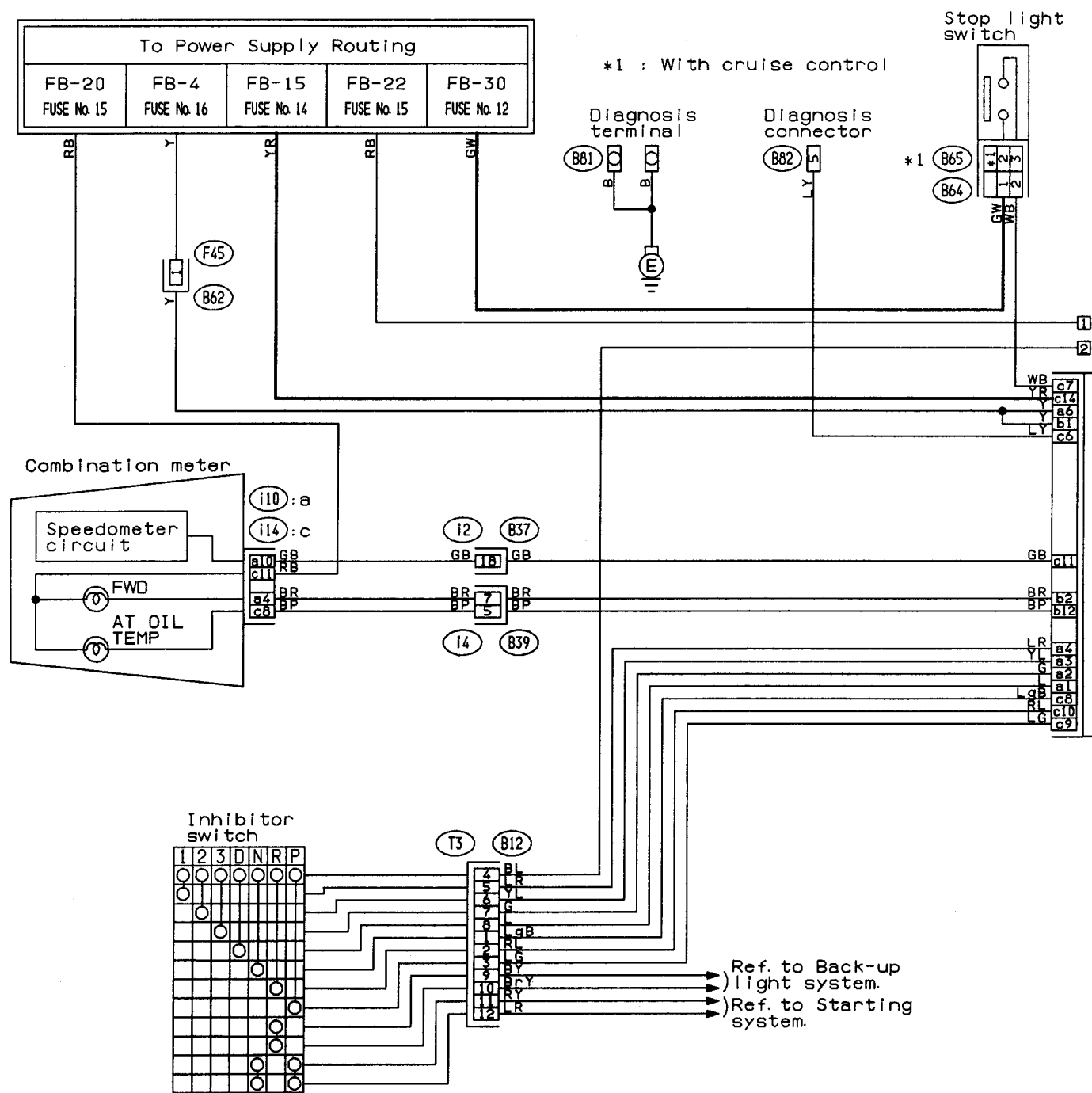
(E7) (Gray)

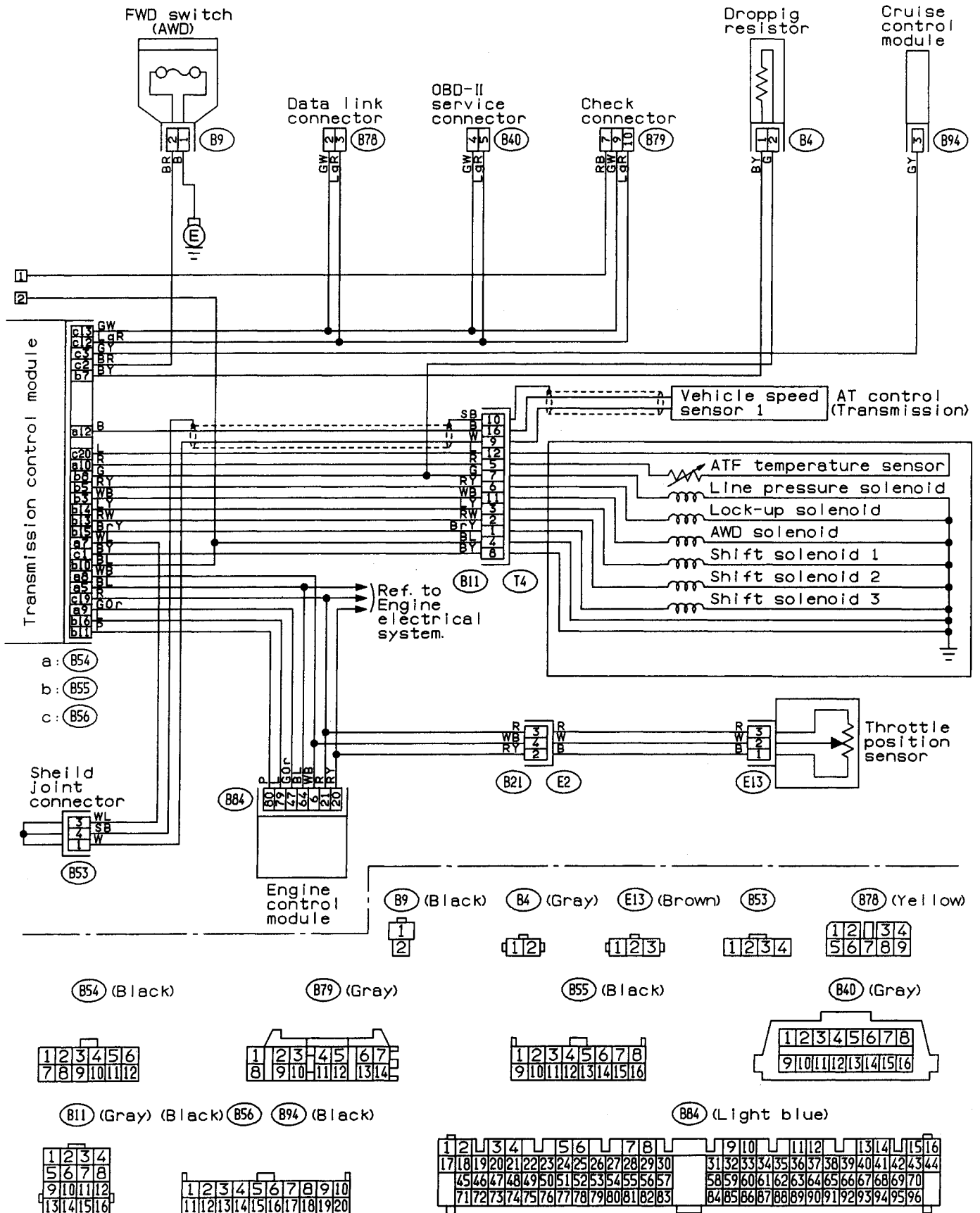
(B20) (Light gray)



1	2	3	4	5	6	7	8	9	10	11	12	13	14	15	16																																				
17	18	19	20	21	22	23	24	25	26	27	28	29	30	31	32	33	34	35	36	37	38	39	40	41	42	43	44																								
45	46	47	48	49	50	51	52	53	54	55	56	57	58	59	60	61	62	63	64	65	66	67	68	69	70	71	72	73	74	75	76	77	78	79	80	81	82	83	84	85	86	87	88	89	90	91	92	93	94	95	96

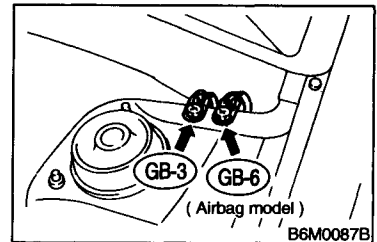
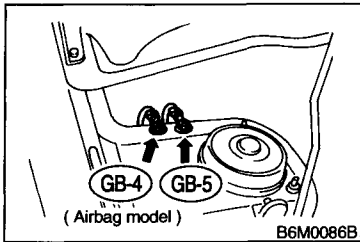
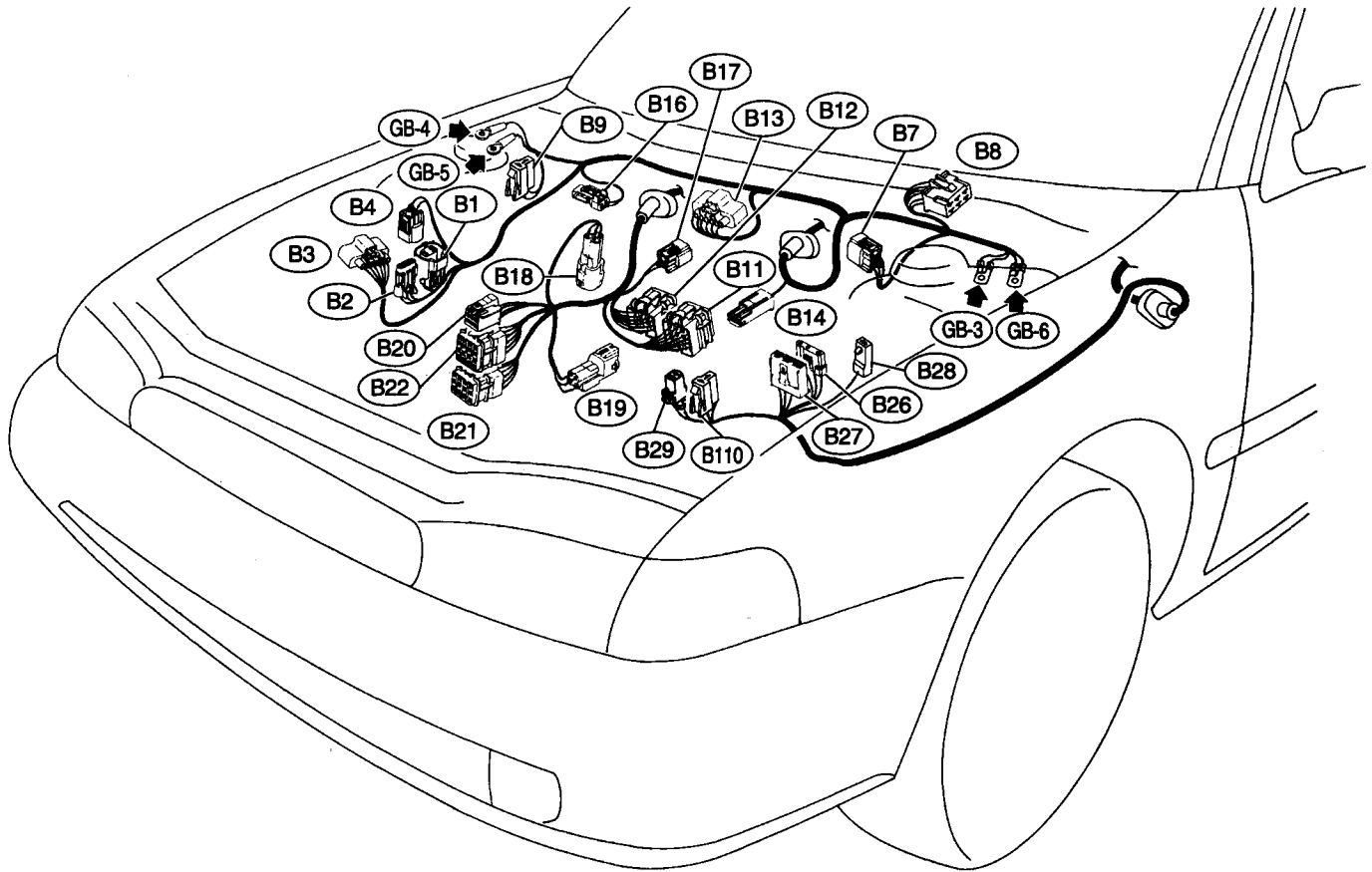
2. AT CONTROL SYSTEM



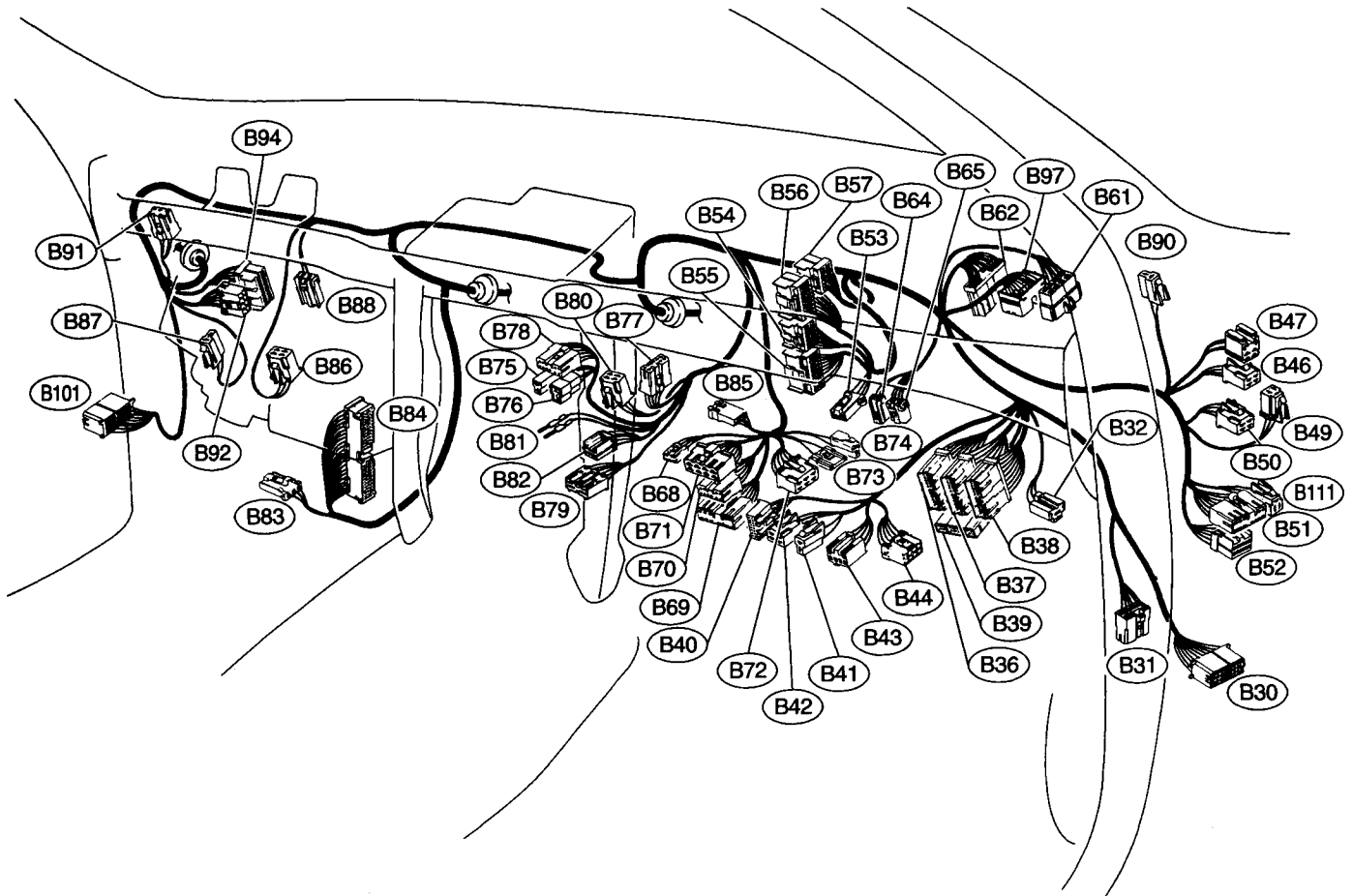


**B: ELECTRICAL WIRING HARNESS AND GROUND POINT**

**2. BULKHEAD WIRING HARNESS AND GROUND POINT (IN ENGINE ROOM)**



4. BULKHEAD WIRING HARNESS (IN COMPARTMENT)



B6M0513A