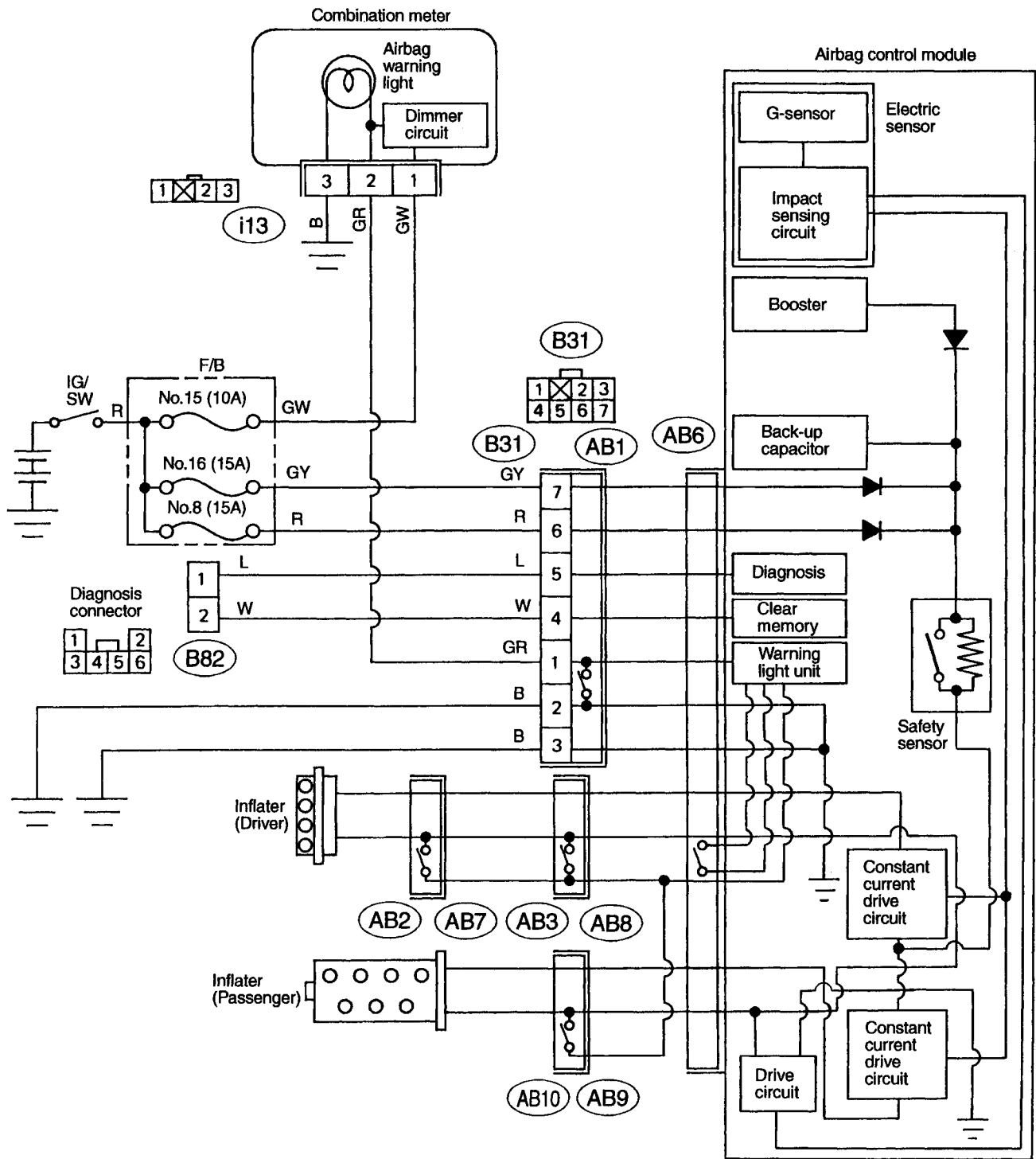


2. Schematic



B5M0403A