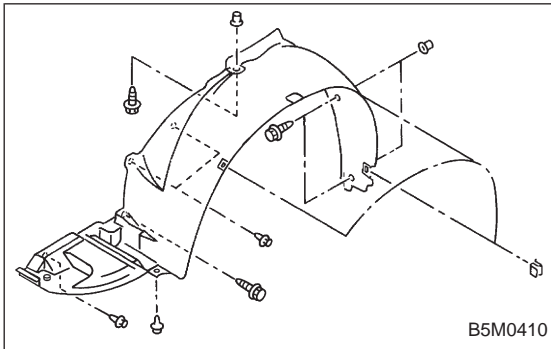


2. REAR ARCH PROTECTOR

Remove rear arch protector.



3. MUD GUARD (OUTBACK WITH STEP ROOF)

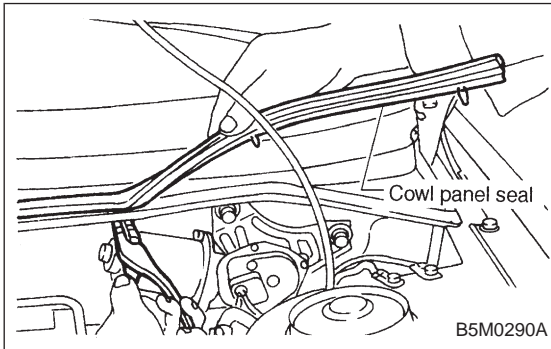
- 1) Jack-up vehicle to remove tire.
- 2) Remove screws and clips. Move mud guard toward the center of the body and remove mud guard.

B: INSTALLATION

Installation is in the reverse order of removal.

CAUTION:

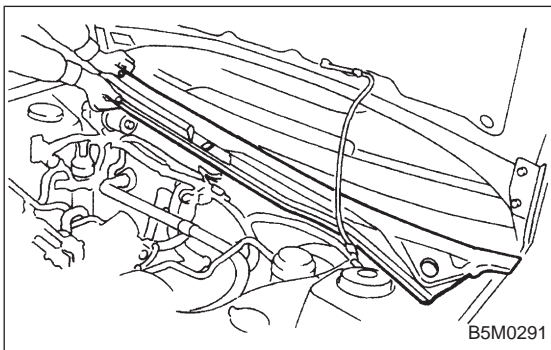
Only use new screws and clips.



10. Cowl Panel

A: REMOVAL

- 1) Remove wiper arms.
- 2) Open front hood.
- 3) Remove cowl panel seal using a plier.



- 4) Lift cowl panel and detach it from clips attached to body panel.

B: INSTALLATION

Installation is in the reverse order of removal.

NOTE:

When installing cowl panel, first attach a middle clip to the cap attached to body panel. Then tap the cowl panel to attach it to other clips.