

4) Remove roof spoiler mounting nuts.

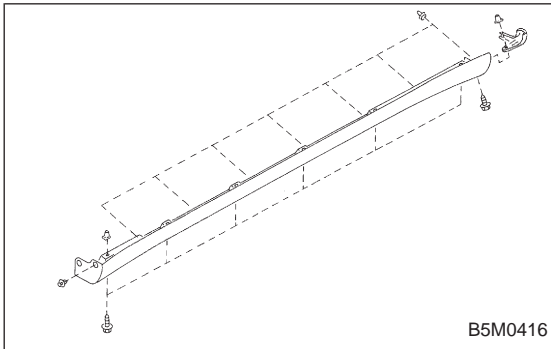
CAUTION:

- When removing nuts, be careful not to drop them inside rear gate.
- Be careful since two-sided tape is placed between roof spoiler and body panel.

5) Installation is in the reverse order of removal.

Tightening torque:

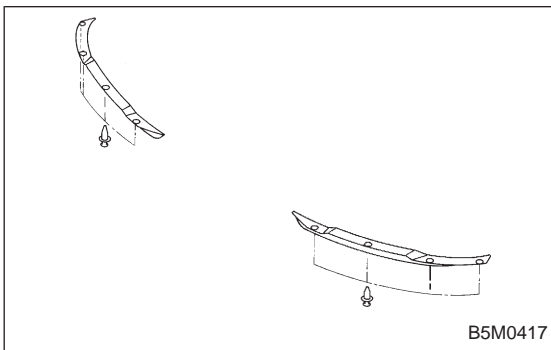
$7.4 \pm 2.0 \text{ N}\cdot\text{m}$ ($0.75 \pm 0.2 \text{ kg}\cdot\text{m}$, $5.4 \pm 1.4 \text{ ft}\cdot\text{lb}$)



21. Side Spoiler (2500 cc GT model only)

A: REMOVAL AND INSTALLATION

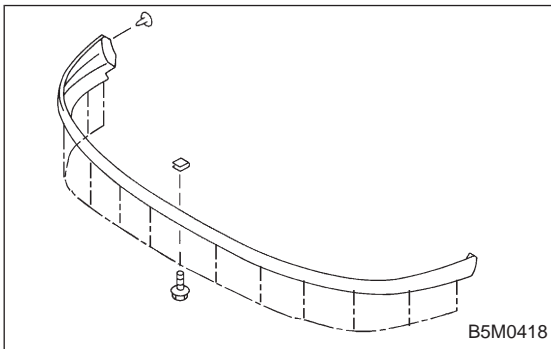
- 1) Remove tapping screws, clip and end cover.
- 2) Installation is in the reverse order of removal.



22. Front Under Spoiler (All models except 2500 cc GT)

A: REMOVAL AND INSTALLATION

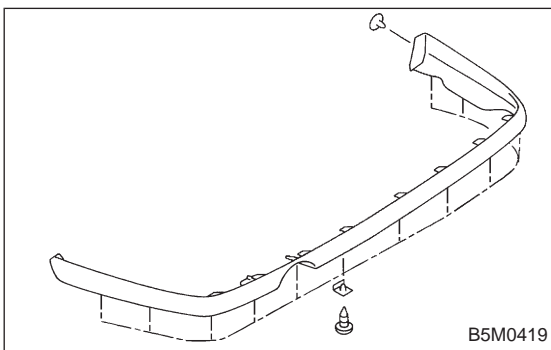
- 1) Remove clips.
- 2) Installation is in the reverse order of removal.



23. Airdam Skirt (2500 cc GT model only)

A: REMOVAL AND INSTALLATION

- 1) Remove airdam skirt mounting bolts and clips.
- 2) Installation is in the reverse order of removal.



24. Rear Under Spoiler (2500 cc GT model only)

A: REMOVAL AND INSTALLATION

- 1) Remove tapping screws and clips.
- 2) Installation is in the reverse order of removal.

NOTE:

- 12 tapping screws are used for 4 Door Sedan.
- 14 tapping screws are used for Station Wagon.