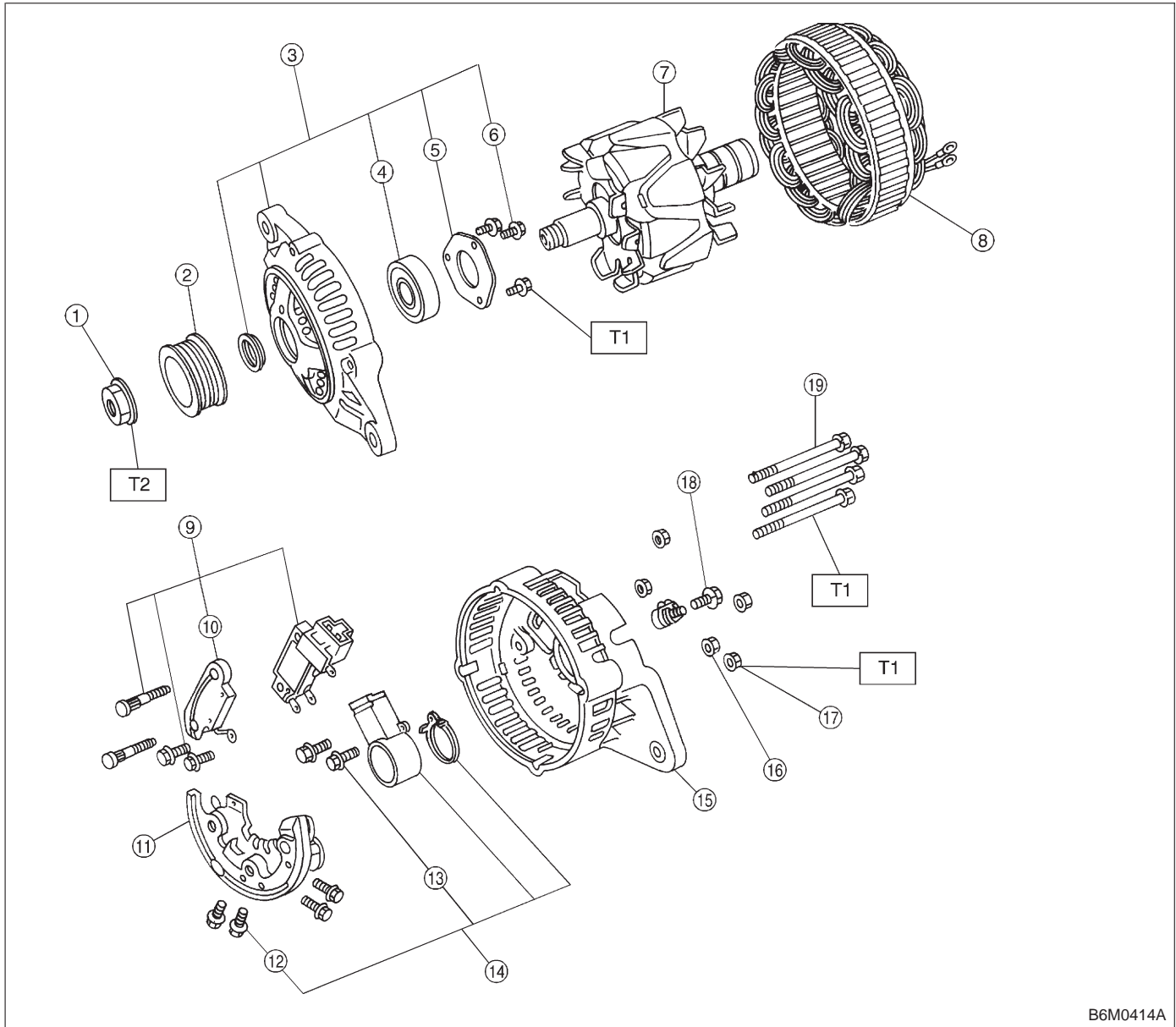


2. Generator



B6M0414A

- ① Pulley nut
- ② Pulley
- ③ Front cover ASSY
- ④ Ball bearing
- ⑤ Bearing retainer
- ⑥ Screw
- ⑦ Rotor
- ⑧ Stator coil
- ⑨ IC regulator ASSY
- ⑩ Condenser
- ⑪ Diode ASSY
- ⑫ Bolt

- ⑬ Bolt
- ⑭ Brush holder ASSY
- ⑮ Rear cover
- ⑯ BAT. terminal
- ⑰ Nut
- ⑱ Bolt
- ⑲ Through bolt

Tightening torque: N·m (kg·m, ft·lb)
T1: 3.1 — 4.4 (0.32 — 0.45, 2.3 — 3.3)
T2: 63.7 — 83.4 (6.5 — 8.5, 47.0 — 61.5)