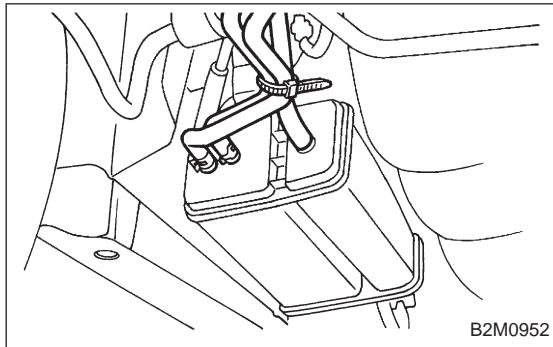


3) Installation is in the reverse order of removal.

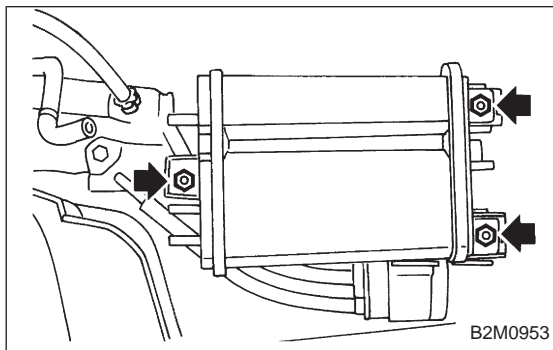
**CAUTION:**

**Insert air vent hose of canister into the hole on body.**



**2. 2200 cc AWD MODEL**

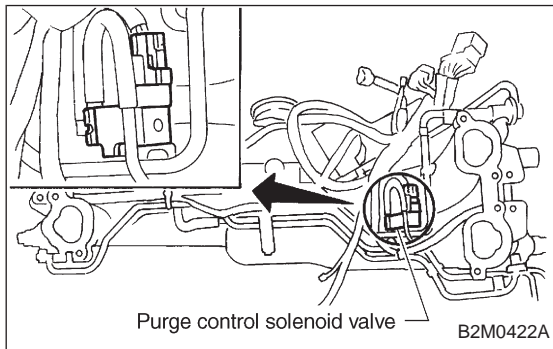
- 1) Lift-up the vehicle.
- 2) Disconnect evaporation hoses from canister.



- 3) Remove canister from body.
- 4) Installation is in the reverse order of removal.

**Tightening torque:**

***25±7 N·m (2.5±0.7 kg-m, 18.1±5.1 ft-lb)***



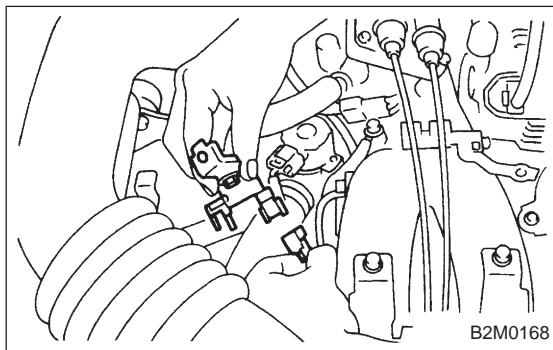
**4. Purge Control Solenoid Valve**

**A: REMOVAL AND INSTALLATION**

- 1) Remove bolt which installs purge control solenoid valve onto intake manifold.

**NOTE:**

This figure shows the rear side of intake manifold.

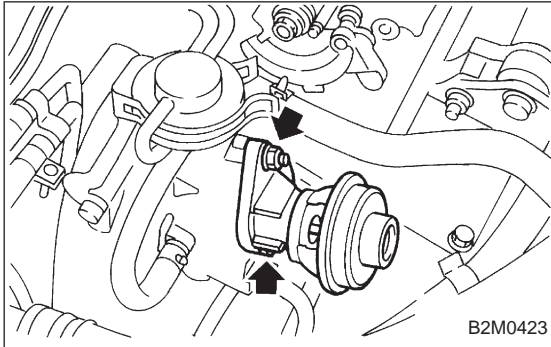


- 2) Take out purge control solenoid valve through the bottom of the intake manifold.
- 3) Disconnect connector and hoses from purge control solenoid valve.

4) Installation is in the reverse order of removal.

**Tightening torque:**

**$16 \pm 1.5 \text{ N}\cdot\text{m}$  ( $1.6 \pm 0.15 \text{ kg}\cdot\text{m}$ ,  $11.6 \pm 1.1 \text{ ft}\cdot\text{lb}$ )**



## 5. EGR Valve

### A: REMOVAL AND INSTALLATION

- 1) Disconnect vacuum hose from EGR valve.
- 2) Remove bolts which install EGR valve onto intake manifold.

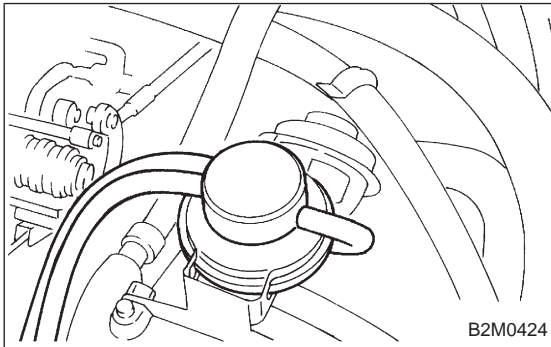
3) Installation is in the reverse order of removal.

**CAUTION:**

**Replace gasket with a new one.**

**Tightening torque:**

**$17.1 - 20.1 \text{ N}\cdot\text{m}$  ( $1.74 - 2.05 \text{ kg}\cdot\text{m}$ ,  $12.6 - 14.8 \text{ ft}\cdot\text{lb}$ )**



## 6. Back-Pressure Transducer (BPT)

### A: REMOVAL AND INSTALLATION

- 1) Disconnect vacuum hoses from BPT.
- 2) Remove BPT from bracket.
- 3) Installation is in the reverse order of removal.