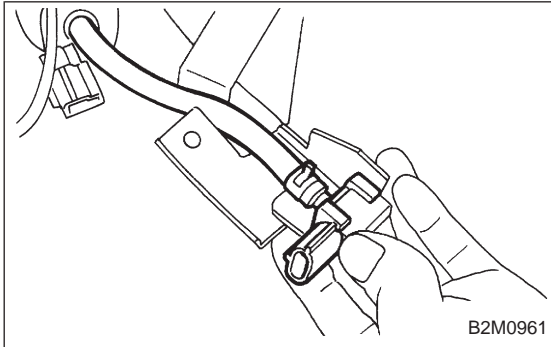
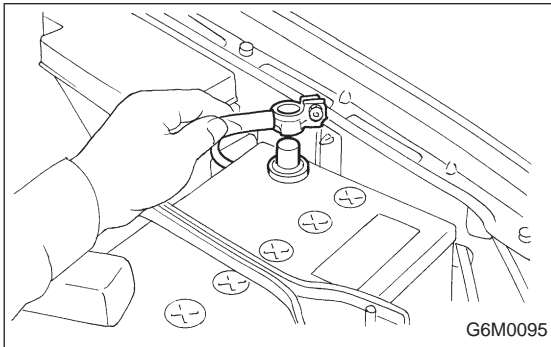


- 3) Disconnect connector from fuel tank pressure sensor.
- 4) Remove bolts which install fuel tank pressure sensor bracket on body.



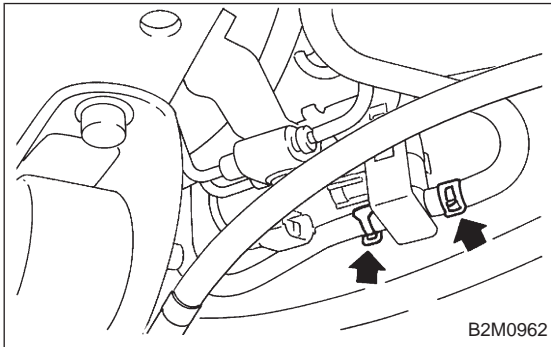
- 5) Disconnect hose from fuel tank pressure sensor.
- 6) Remove fuel tank pressure sensor from bracket.
- 7) Installation is in the reverse order of removal.



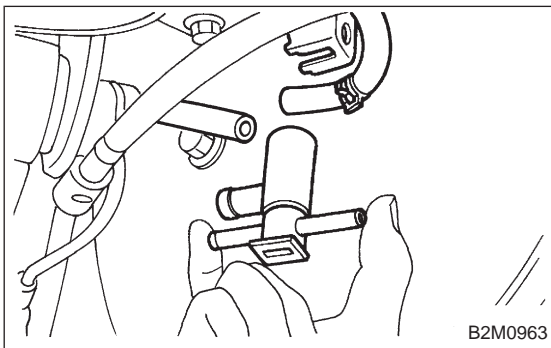
10. Pressure Control Solenoid Valve (2200 cc AWD Model)

A: REMOVAL AND INSTALLATION

- 1) Disconnect battery ground cable.
- 2) Lift-up the vehicle.



- 3) Disconnect evaporation hoses from pressure control valve.
- 4) Disconnect connector from pressure control valve.



- 5) Remove pressure control valve from bracket.
- 6) Installation is in the reverse order of removal.