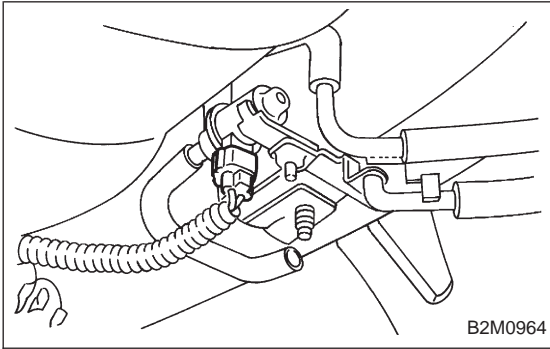


11. Vent Control Solenoid Valve (2200 cc AWD Model)

A: REMOVAL

1) Disconnect battery ground cable.

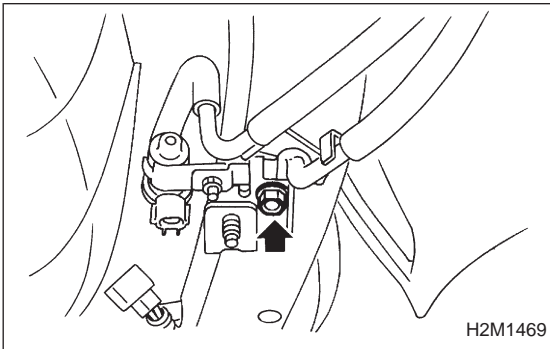


2) Lift-up the vehicle.

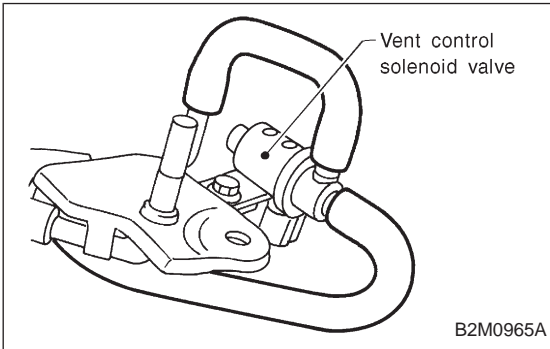
3) Remove canister. <Ref. to 2-1 [W3A2].>

4) Disconnect two hoses from air filter.

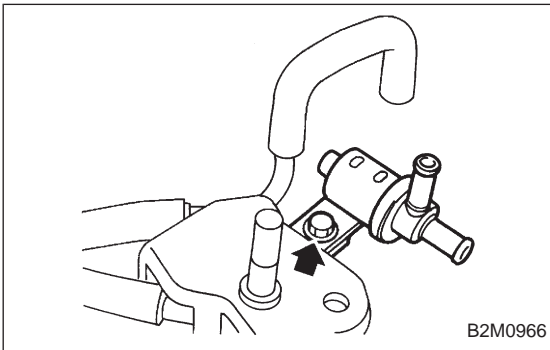
5) Disconnect connector from vent control solenoid valve.



6) Remove one bolt fixing bracket on the body.

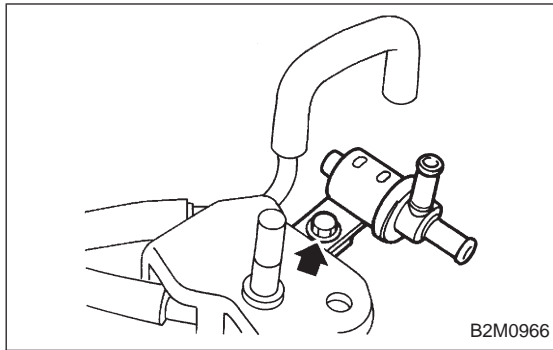


7) Remove two vacuum hoses from vent control solenoid valve.

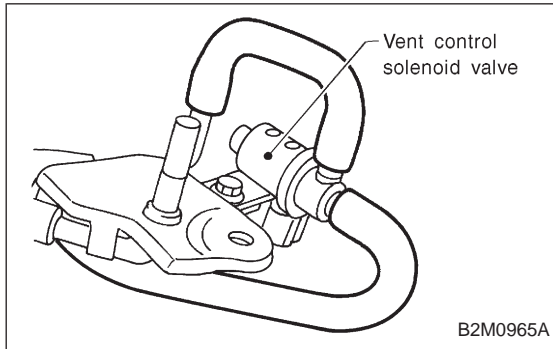


8) Remove one bolt fixing vent control solenoid valve on bracket.

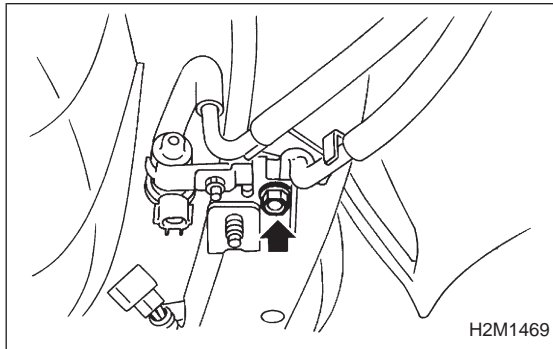
9) Remove vent control solenoid valve.

**B: INSTALLATION**

1) Install the bolt fixing vent control solenoid valve on bracket.



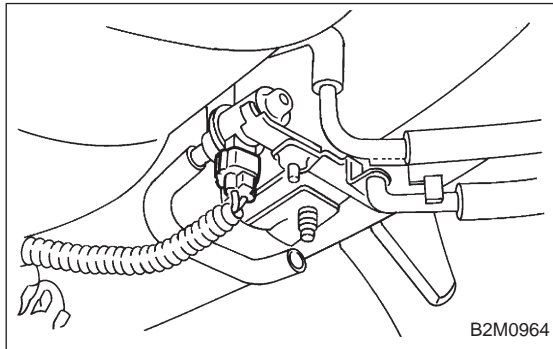
2) Install two vacuum hoses to vent control solenoid valve.



3) Install the bolt fixing bracket on the body.

Tightening torque:

25 ± 7 N·m (2.5 ± 0.7 kg·m, 18.1 ± 5.1 ft·lb)

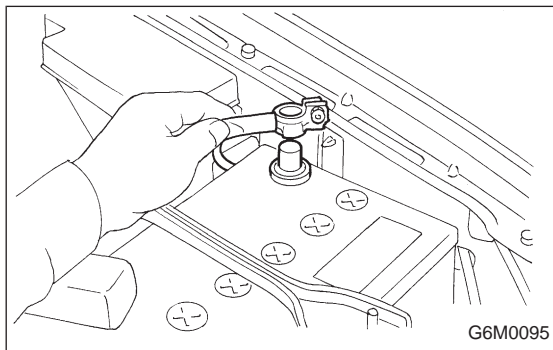


4) Connect connector to vent control solenoid valve.

5) Connect two hoses to air filter.

6) Install canister. <Ref. to 2-1 [W3A2].>

7) Let down the vehicle.



8) Connect battery ground cable.