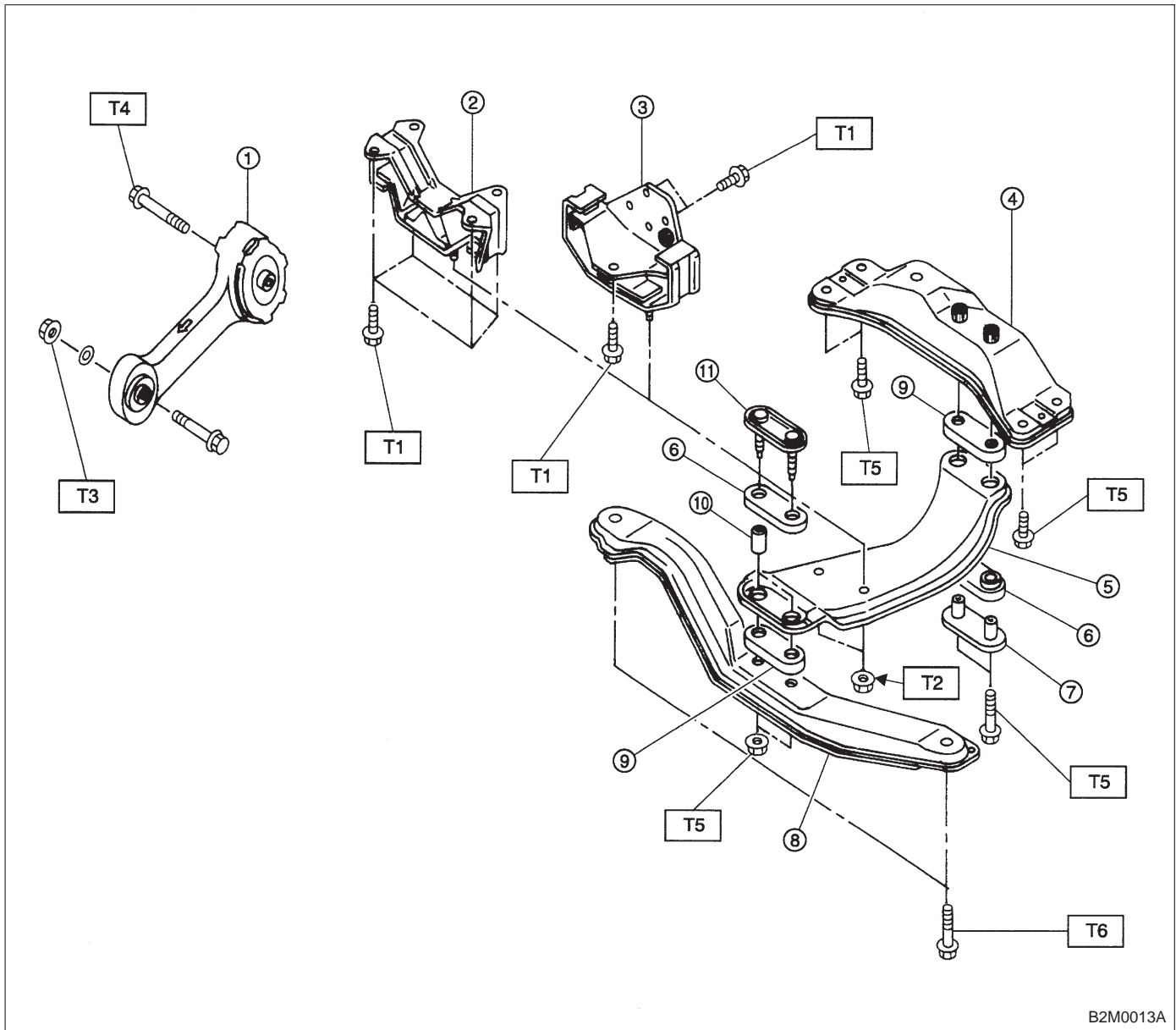


2. Transmission Mounting

1. MT MODEL



B2M0013A

- ① Pitching stopper
- ② Rear cushion rubber (AWD)
- ③ Rear cushion rubber (FWD)
- ④ Rear crossmember
- ⑤ Center crossmember
- ⑥ Cushion C
- ⑦ Rear plate
- ⑧ Front crossmember
- ⑨ Cushion D
- ⑩ Spacer
- ⑪ Front plate

Tightening torque: N·m (kg·m, ft·lb)

T1: 33±5 (3.4±0.5, 24.6±3.6)

T2: 37±10 (3.8±1.0, 27±7)

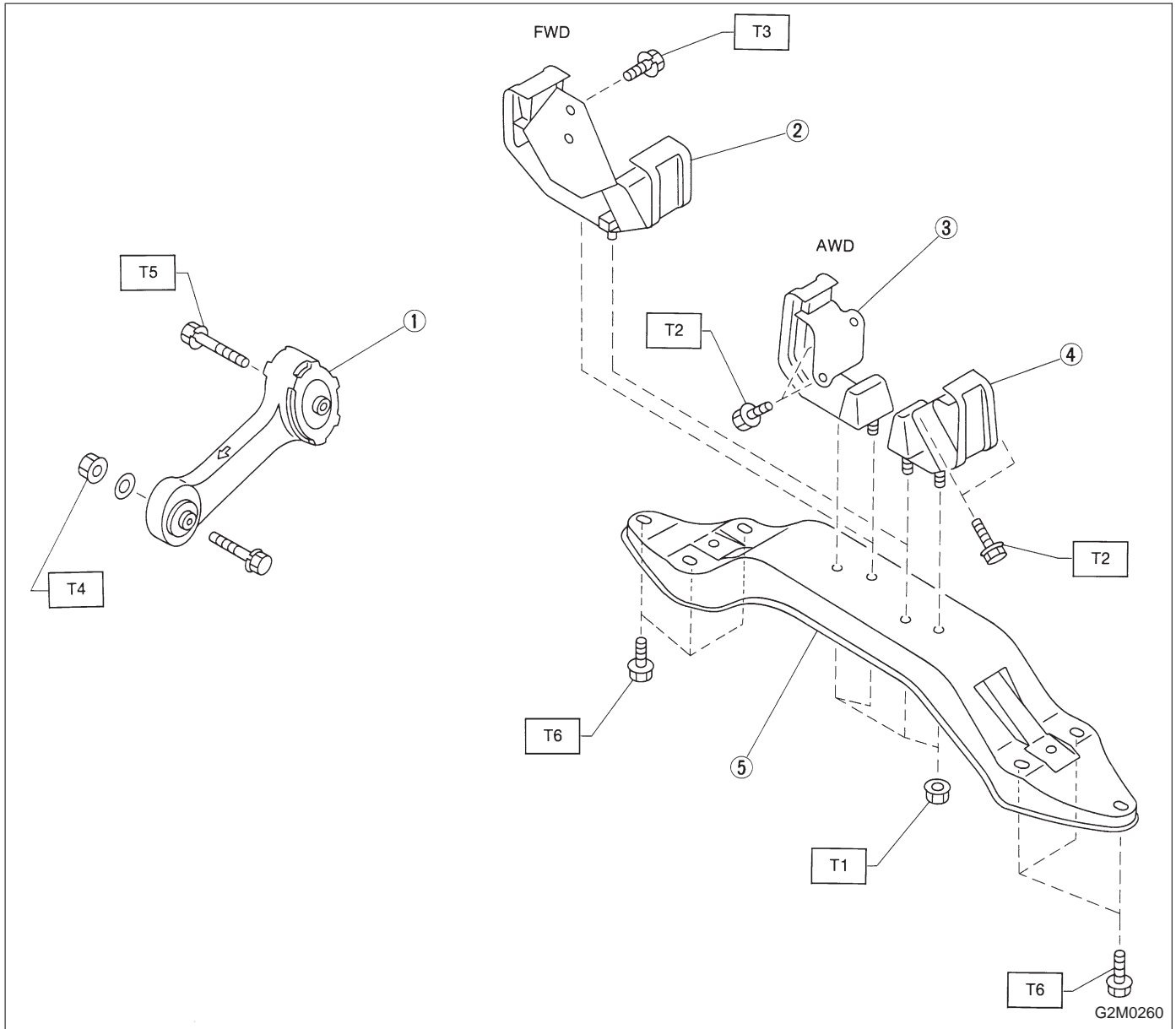
T3: 49±5 (5.0±0.5, 36.2±3.6)

T4: 57±10 (5.8±1.0, 42±7)

T5: 69±15 (7.0±1.5, 51±11)

T6: 137±20 (14±2, 101±14)

2. AT MODEL



- ① Pitching stopper
- ② Rear cushion rubber (FWD)
- ③ Rear cushion rubber RH (AWD)
- ④ Rear cushion rubber LH (AWD)
- ⑤ Crossmember

Tightening torque: N·m (kg·m, ft·lb)

T1: 18±5 (1.8±0.5, 13.0±3.6)

T2: 25±7 (2.5±0.7, 18.1±5.1)

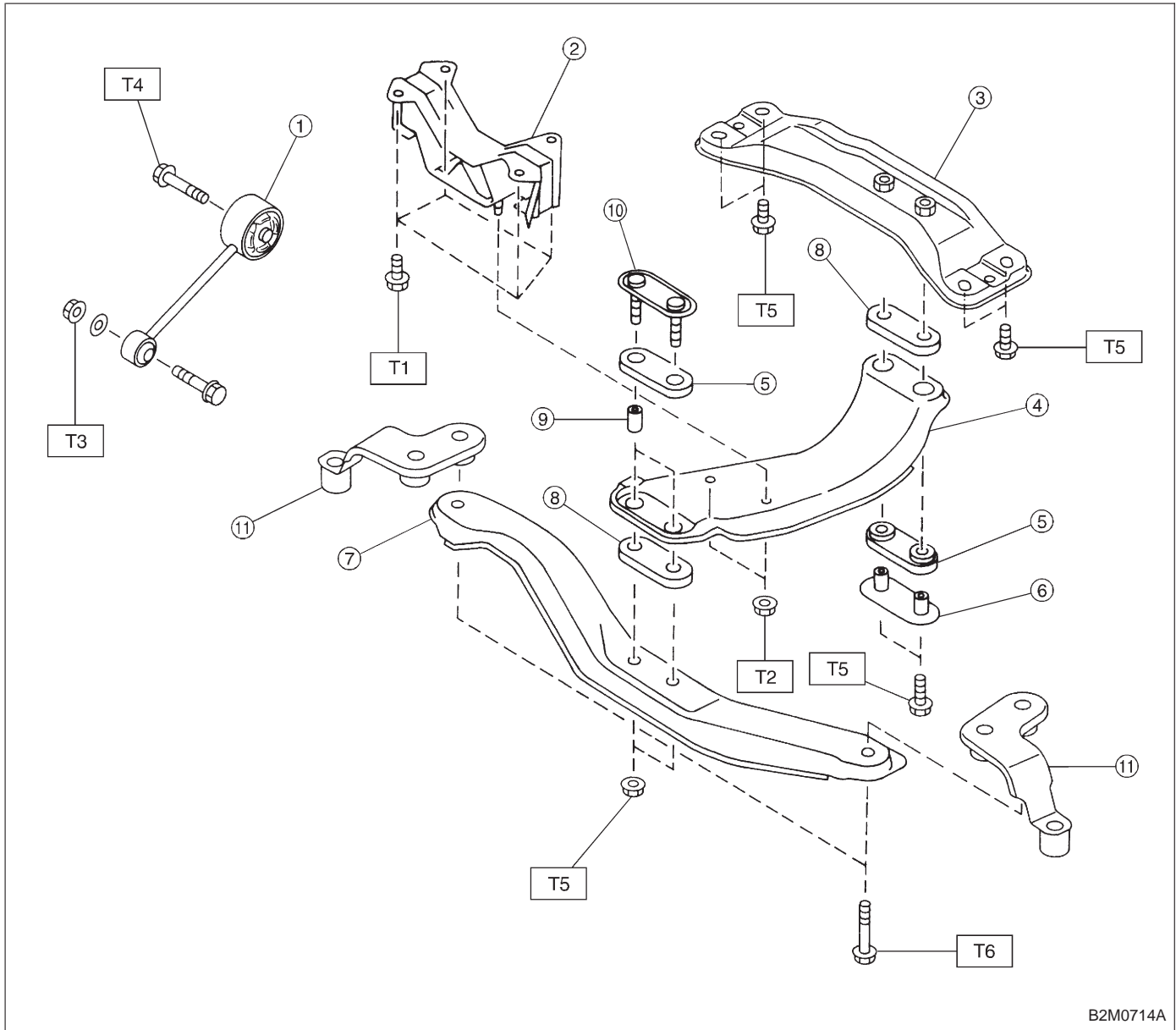
T3: 26±7 (2.7±0.7, 19.5±5.1)

T4: 49±5 (5.0±0.5, 36.2±3.6)

T5: 57±10 (5.8±1.0, 42±7)

T6: 69±15 (7.0±1.5, 51±11)

3. MT MODEL (OUTBACK WITH STEP ROOF)



B2M0714A

- ① Pitching stopper
- ② Rear cushion rubber
- ③ Rear crossmember
- ④ Center crossmember
- ⑤ Cushion C
- ⑥ Rear plate
- ⑦ Front crossmember
- ⑧ Cushion D
- ⑨ Spacer
- ⑩ Front plate
- ⑪ Spacer

Tightening torque: N·m (kg·m, ft·lb)

T1: 33±5 (3.4±0.5, 24.6±3.6)

T2: 37±10 (3.8±1.0, 27±7)

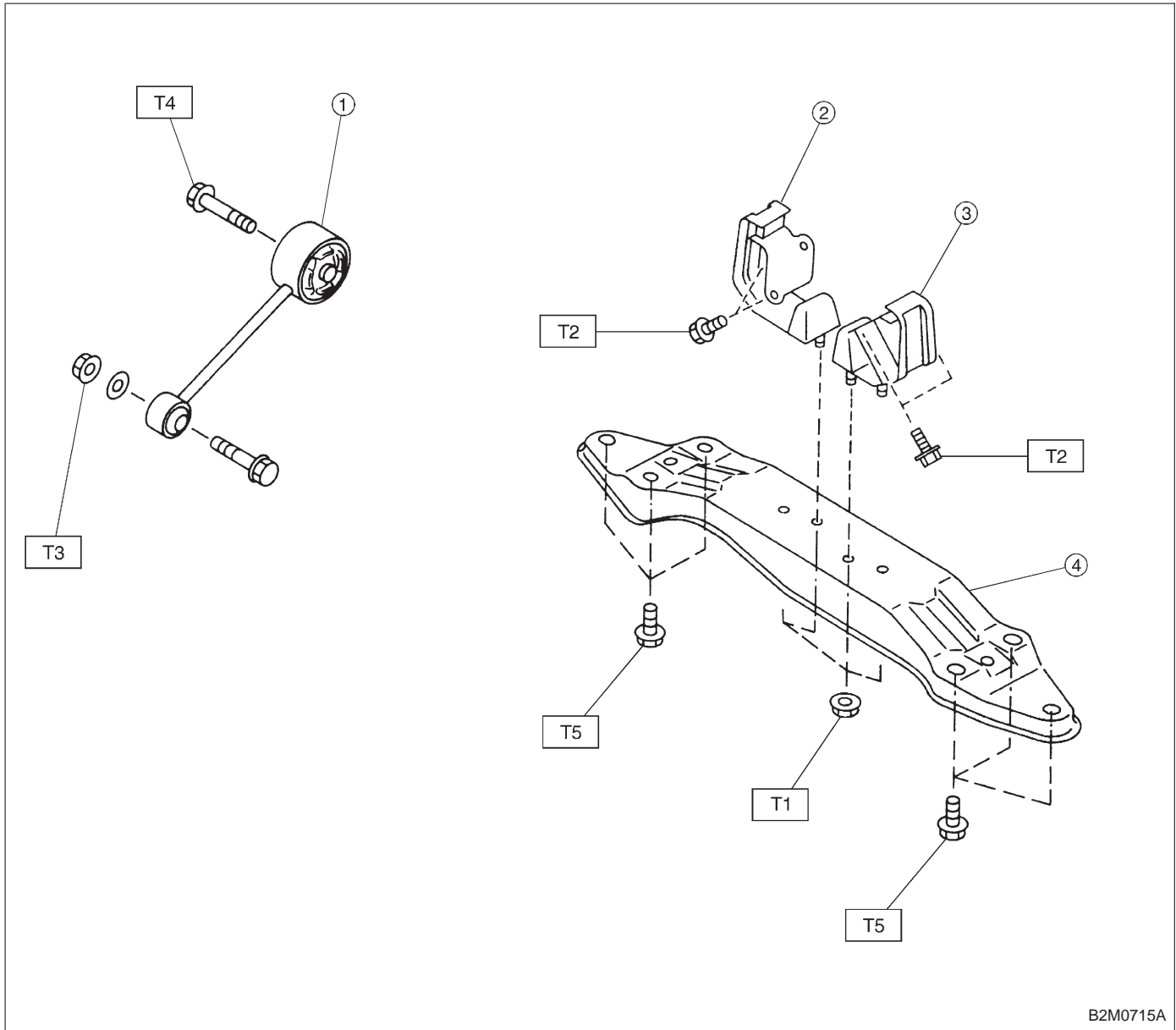
T3: 49±5 (5.0±0.5, 36.2±3.6)

T4: 57±10 (5.8±1.0, 42±7)

T5: 69±15 (7.0±1.5, 51±11)

T6: 137±20 (14±2, 101±14)

4. AT MODEL (OUTBACK WITH STEP ROOF)



B2M0715A

- ① Pitching stopper
- ② Rear cushion rubber RH
- ③ Rear cushion rubber LH
- ④ Crossmember

Tightening torque: N·m (kg·m, ft·lb)

T1: 18±5 (1.8±0.5, 13.0±3.6)

T2: 25±7 (2.5±0.7, 18.1±5.1)

T3: 49±5 (5.0±0.5, 36.2±3.6)

T4: 57±10 (5.8±1.0, 42±7)

T5: 69±15 (7.0±1.5, 51±11)