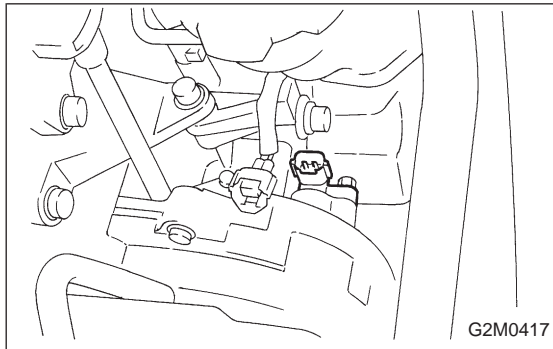


10. Camshaft Position Sensor

A: REMOVAL AND INSTALLATION

1) Disconnect connector from camshaft position sensor.

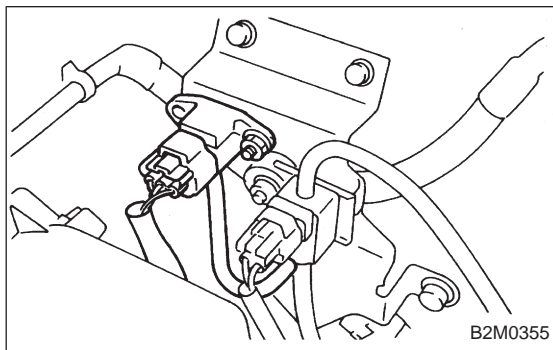


2) Remove camshaft position sensor from camshaft support LH.

3) Installation is in the reverse order of removal.

Tightening torque:

$6.4 \pm 0.5 \text{ N}\cdot\text{m}$ ($0.65 \pm 0.05 \text{ kg}\cdot\text{m}$, $4.7 \pm 0.4 \text{ ft}\cdot\text{lb}$)

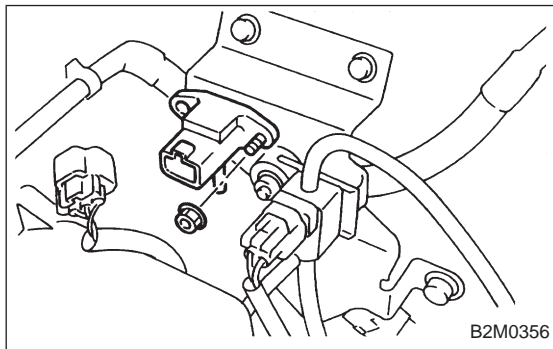


11. Pressure Sensor (AT model)

A: REMOVAL AND INSTALLATION

1) Disconnect connector from pressure sensor.

2) Disconnect hose from pressure sensor.



3) Remove pressure sensor from bracket.

4) Installation is in the reverse order of removal.

Tightening torque:

$6.4 \pm 0.5 \text{ N}\cdot\text{m}$ ($0.65 \pm 0.05 \text{ kg}\cdot\text{m}$, $4.7 \pm 0.4 \text{ ft}\cdot\text{lb}$)