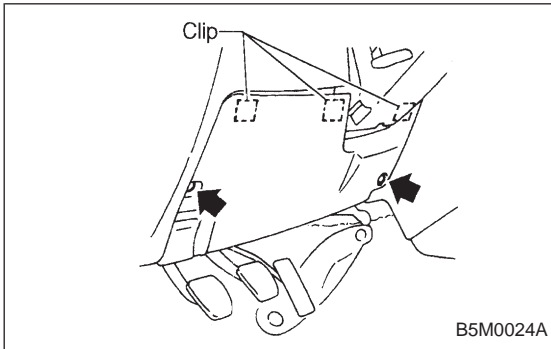


## 17. Fuel Pump Relay

### A: REMOVAL AND INSTALLATION

1) Disconnect battery ground cable.



2) Remove lower cover and then disconnect connectors.

3) Lower transmission control module.

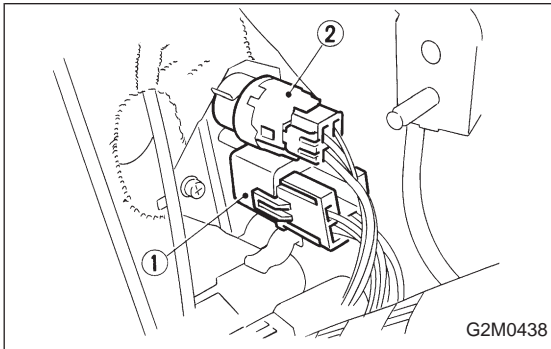
4) Remove the front pillar lower trim.

<Ref. to 5-3 [W5A1].>

5) Remove fuse box mounting nuts.

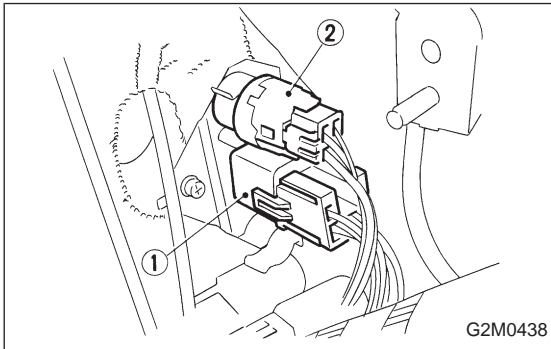
6) Lower fuse box.

7) Remove fuse box mounting bracket.



8) Remove fuel pump relay from main relay and fuel pump relay mounting bracket.

9) Disconnect connector from fuel pump relay.



10) Installation is in the reverse order of removal.

① Main relay

② Fuel pump relay