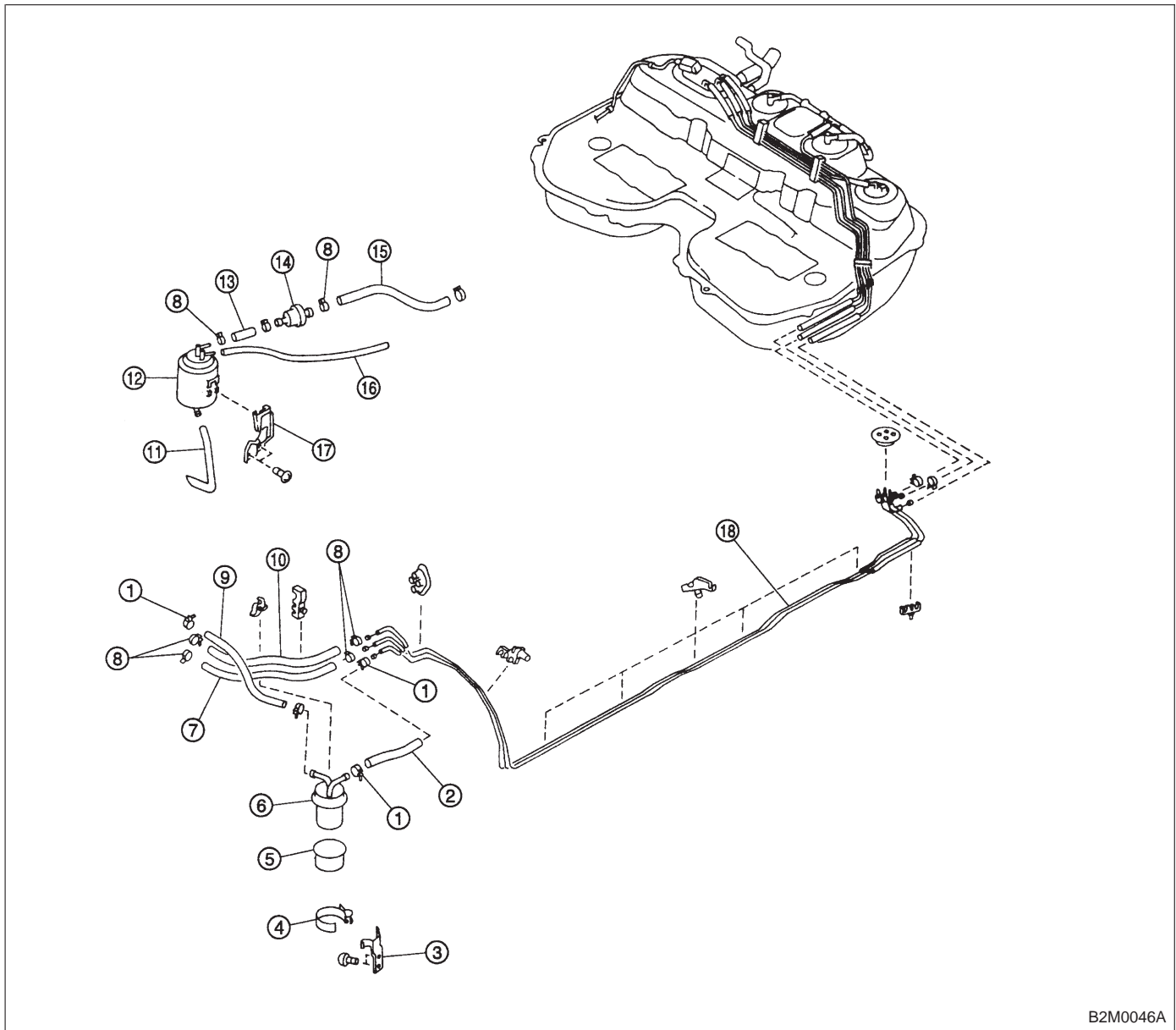


2. Fuel Line

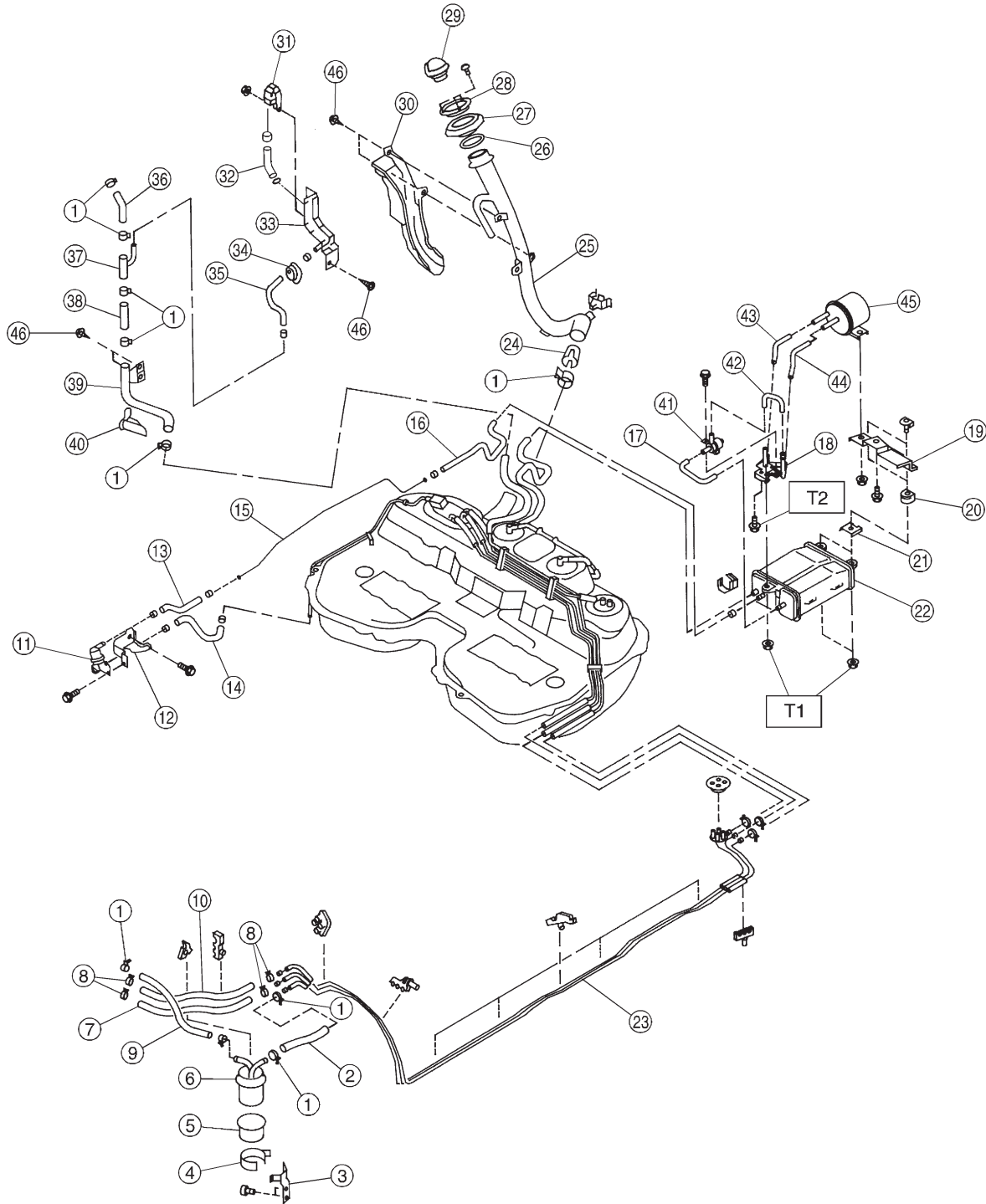
1. 2200 cc FWD AND 2500 cc MODEL



B2M0046A

- | | |
|------------------------|--------------------|
| ① Clamp | ⑩ Fuel return hose |
| ② Fuel delivery hose A | ⑪ Air vent hose |
| ③ Fuel filter bracket | ⑫ Canister |
| ④ Fuel filter holder | ⑬ Canister hose A |
| ⑤ Fuel filter cup | ⑭ Two-way valve |
| ⑥ Fuel filter | ⑮ Canister hose B |
| ⑦ Evaporation hose | ⑯ Canister hose C |
| ⑧ Clip | ⑰ Canister bracket |
| ⑨ Fuel delivery hose B | ⑱ Fuel pipe ASSY |

2. 2200 cc AWD MODEL



B2M0974A

- | | | | |
|---|-------------------------|----|-----------------------------------|
| ① | Clamp | ②7 | Ring A |
| ② | Fuel delivery hose A | ②8 | Ring B |
| ③ | Fuel filter bracket | ②9 | Fuel filler cap |
| ④ | Fuel filter holder | ③0 | Fuel filler pipe protector |
| ⑤ | Fuel filter cup | ③1 | Fuel tank pressure sensor |
| ⑥ | Fuel filter | ③2 | Fuel tank pressure sensor hose A |
| ⑦ | Evaporation hose | ③3 | Fuel tank pressure sensor bracket |
| ⑧ | Clip | ③4 | Grommet |
| ⑨ | Fuel delivery hose B | ③5 | Fuel tank pressure sensor hose B |
| ⑩ | Fuel return hose | ③6 | Air ventilator hose A |
| ⑪ | Roll over valve | ③7 | Air ventilator pipe A |
| ⑫ | Roll over valve bracket | ③8 | Air ventilator hose B |
| ⑬ | Evaporation hose H | ③9 | Air ventilator pipe B |
| ⑭ | Evaporation hose I | ④0 | Air ventilator pipe protector |
| ⑮ | Evaporation pipe B | ④1 | Vent control solenoid valve |
| ⑯ | Canister hose A | ④2 | Vent control solenoid valve hose |
| ⑰ | Canister hose B | ④3 | Air filter hose A |
| ⑱ | Canister holder | ④4 | Air filter hose B |
| ⑲ | Canister upper bracket | ④5 | Air filter |
| ⑳ | Cushion rubber | ④6 | Tapping screw |
| ㉑ | Canister lower bracket | | |
| ㉒ | Canister | | |
| ㉓ | Fuel pipe ASSY | | |
| ㉔ | Fuel filler valve | | |
| ㉕ | Fuel filler pipe | | |
| ㉖ | Packing | | |

Tightening torque: N·m (kg·m, ft·lb)

T1: 23±7 (2.3±0.7, 17±5.1)

T2: 25±7 (2.5±0.7, 18±5.1)
