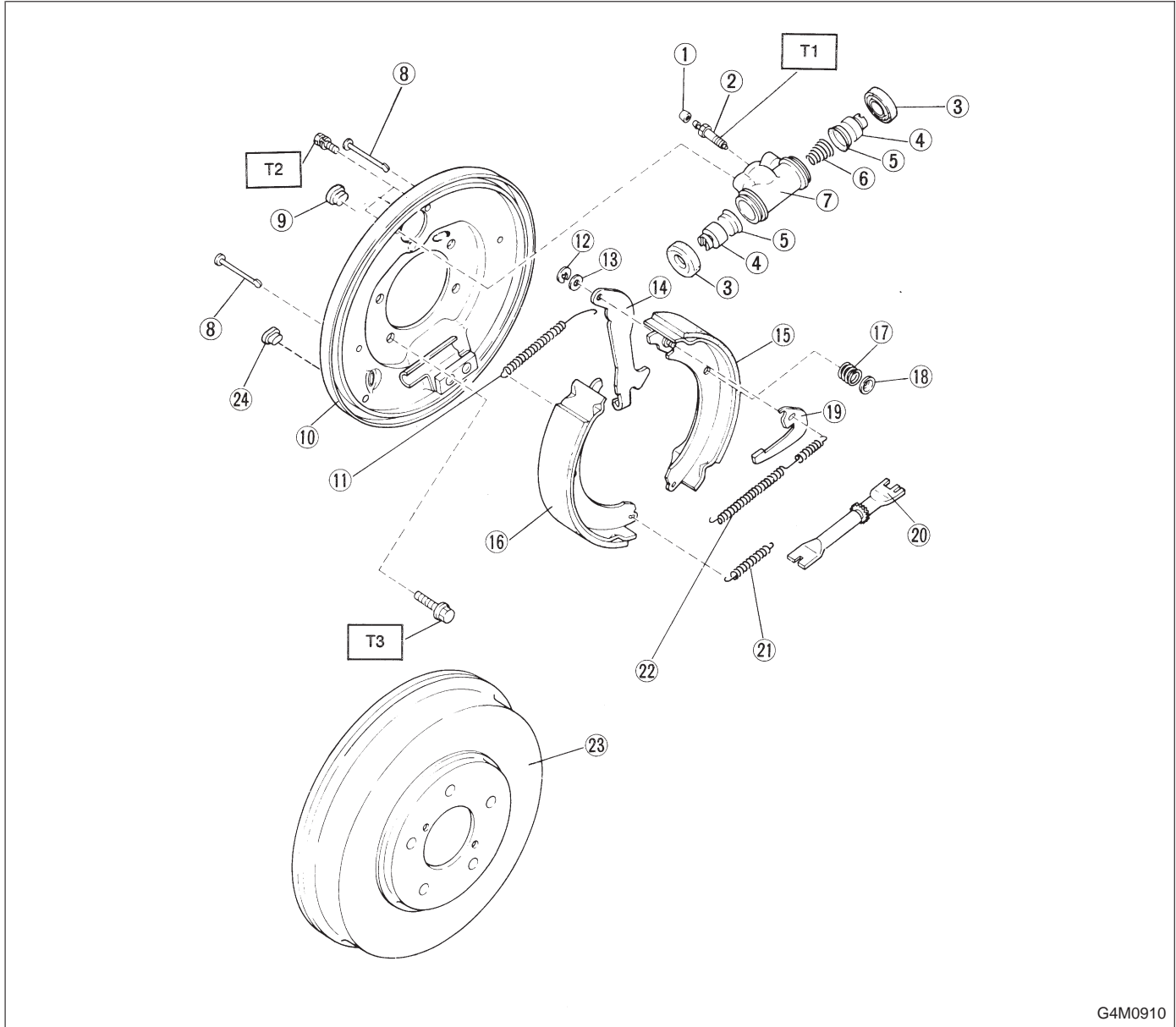


3. Rear Drum Brake



G4M0910

- ① Air bleeder cap
- ② Air bleeder screw
- ③ Boot
- ④ Piston
- ⑤ Cup
- ⑥ Spring
- ⑦ Wheel cylinder body
- ⑧ Pin
- ⑨ Plug
- ⑩ Back plate

- ⑪ Upper shoe return spring
- ⑫ Retainer
- ⑬ Washer
- ⑭ Parking brake lever
- ⑮ Brake shoe (Trailing)
- ⑯ Brake shoe (Leading)
- ⑰ Shoe hold-down spring
- ⑱ Cup
- ⑲ Adjusting lever
- ⑳ Adjuster

- ㉑ Lower shoe return spring
- ㉒ Adjusting spring
- ㉓ Drum
- ㉔ Plug

Tightening torque: N·m (kg·m, ft·lb)
T1: 8±1 (0.8±0.1, 5.8±0.7)
T2: 10±2 (1.0±0.2, 7.2±1.4)
T3: 52±6 (5.3±0.6, 38.3±4.3)