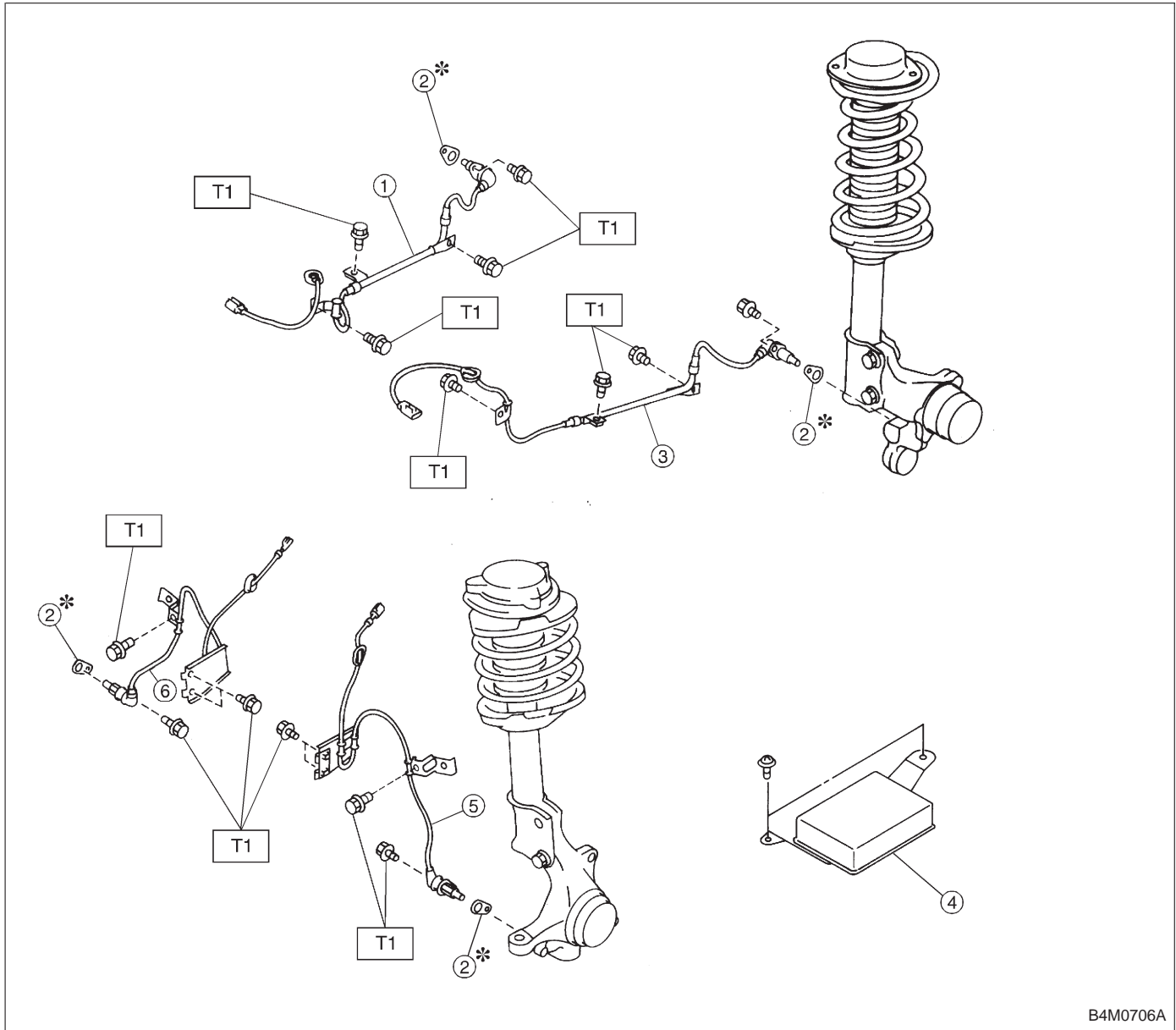


9. ABS/TCS System

1. SENSOR AND CONTROL MODULE

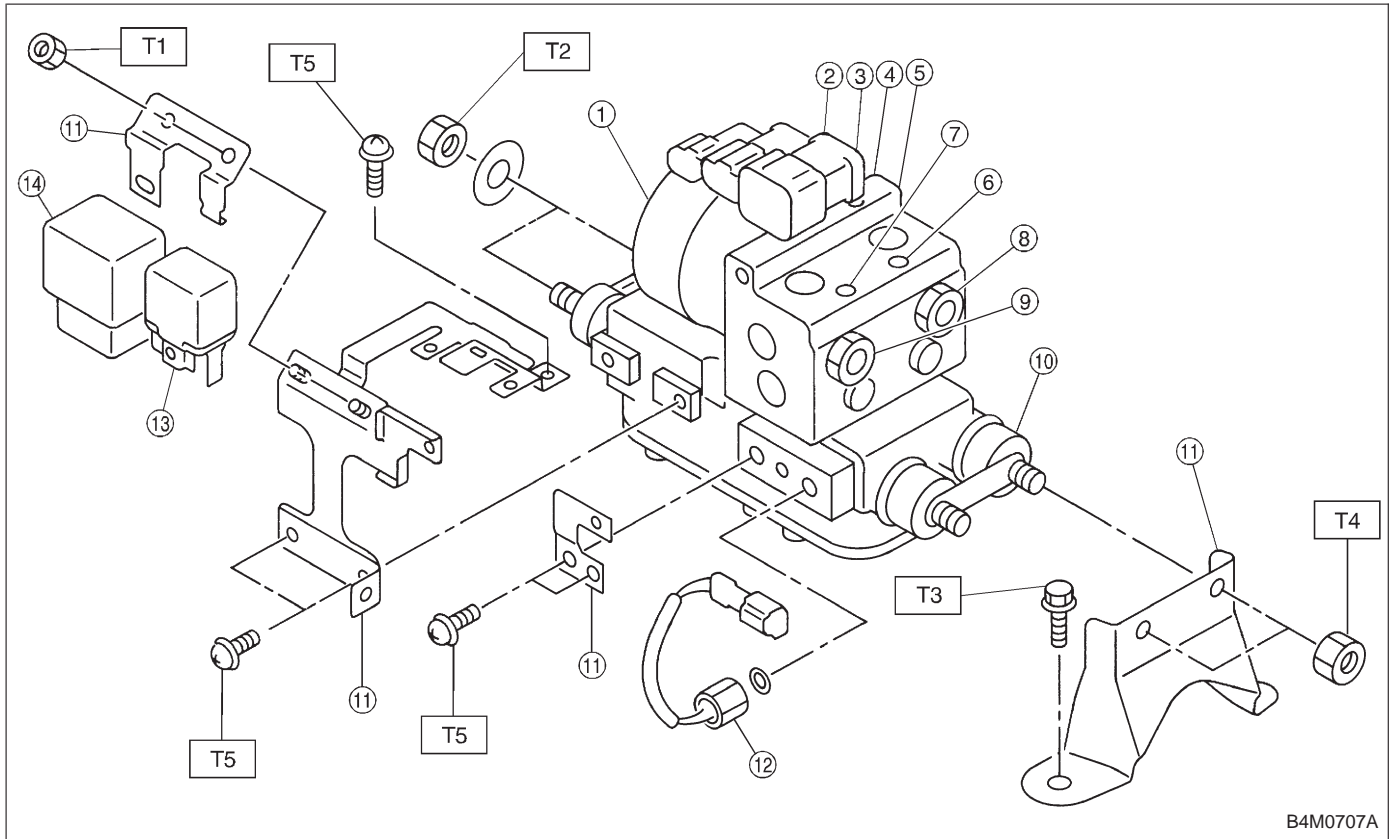


- ① Rear ABS sensor RH
- ② ABS spacer
- ③ Rear ABS sensor LH

- ④ ABS/TCS control module
- ⑤ Front ABS sensor LH
- ⑥ Front ABS sensor RH

**Tightening torque: N·m (kg·m, ft·lb)**  
**T1: 32±10 (3.3±1.0, 24±7)**

2. HYDRAULIC UNIT



- |                                  |                          |
|----------------------------------|--------------------------|
| ① ABS/TCS Hydraulic control unit | ⑧ Secondary suction line |
| ② Rear-RH outlet                 | ⑨ Primary suction line   |
| ③ Front-LH outlet                | ⑩ Bumper                 |
| ④ Front-RH outlet                | ⑪ Bracket                |
| ⑤ Rear-LH outlet                 | ⑫ Pressure switch        |
| ⑥ Secondary inlet                | ⑬ Valve relay            |
| ⑦ Primary inlet                  | ⑭ Motor relay            |

**Tightening torque: N·m (kg·m, ft·lb)**  
**T1: 7.4±2.0 (0.75±0.2, 5.4±1.4)**  
**T2: 29±7 (3.0±0.7, 21.7±5.1)**  
**T3: 32±10 (3.3±1.0, 24±7)**  
**T4: 38±10 (3.8±1.0, 27±7)**  
**T5: 3.1±1 (0.32±0.1, 2.3±0.7)**