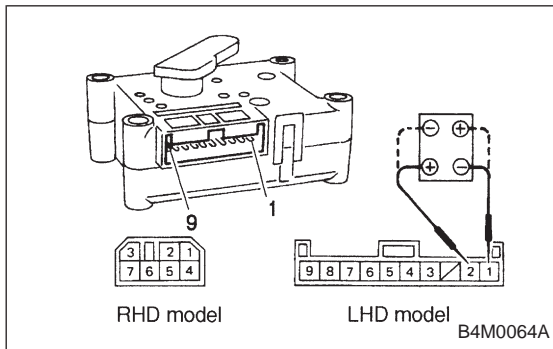


## 6. Mode Door Motor

### A: REMOVAL

- 1) Remove instrument panel. <Ref. to 5-4 [W1A0].>
- 2) Remove mode door motor.



### B: INSPECTION

- 1) When approx. 12 V is applied to the mode door motor terminals, mode door motor operates as follows:

#### LHD model

Terminal No.		Mode door motor	
2	1		
Polarity of power supply terminals		Mode door motor operation	Direction of linkage rotation
-	+	VENT→DEF	Clockwise
+	-	DEF→VENT	Counterclockwise

#### RHD model

Terminal No.		Mode door motor	
7	6		
Polarity of power supply terminals		Mode door motor operation	Direction of linkage rotation
-	+	VENT→DEF	Clockwise
+	-	DEF→VENT	Counterclockwise

- 2) Check mode door motor position switch. When the mode door motor is moved to each mode position by using the mode selector switch, check if continuity exists between each terminal as follows:

#### LHD model

Mode selector switch positions	Terminal No.	
VENT	8 or 7	9 (GND)
BI-LEV	6 or 7	
HEAT	5 or 6	
DEF/HEAT	4 or 5	
DEF	3 or 4	

**RHD model**

Mode selector switch positions	Terminal No.	
VENT	8 or 5	7 (GND)
BI-LEV	6 or 4	
HEAT	5 or 3	
DEF/HEAT	4 or 2	
DEF	3 or 1	

**C: INSTALLATION**

Installation is in the reverse order of removal.