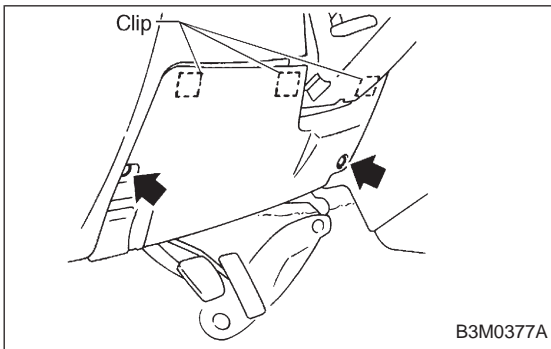


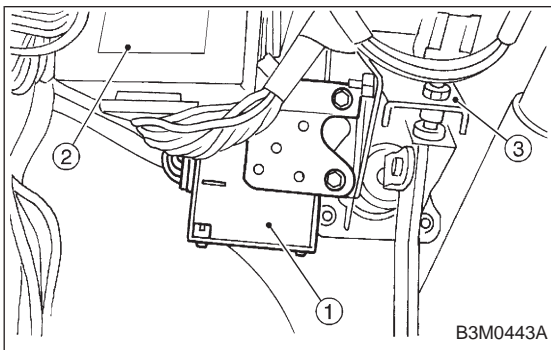
## 17. Transmission Control Module

### A: REMOVAL

1) Disconnect battery ground cable.



2) Remove lower cover and then disconnect connector.



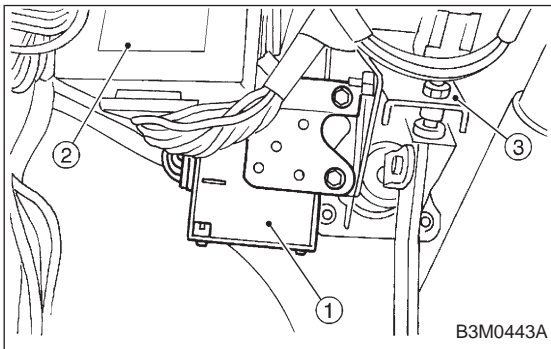
3) Remove transmission control module.

① Transmission control module

② Cruise control module

③ Pedal bracket

4) Disconnect connectors from transmission control module.



### B: INSTALLATION

1) Connect connectors to transmission control module.

① Transmission control module

② Cruise control module

③ Pedal bracket

2) Install transmission control module.

**Tightening torque:**

**$7.4 \pm 2.0 \text{ N}\cdot\text{m}$  ( $0.75 \pm 0.2 \text{ kg}\cdot\text{m}$ ,  $5.4 \pm 1.4 \text{ ft}\cdot\text{lb}$ )**

3) Installing procedure hereafter is in the reverse order of removal.

