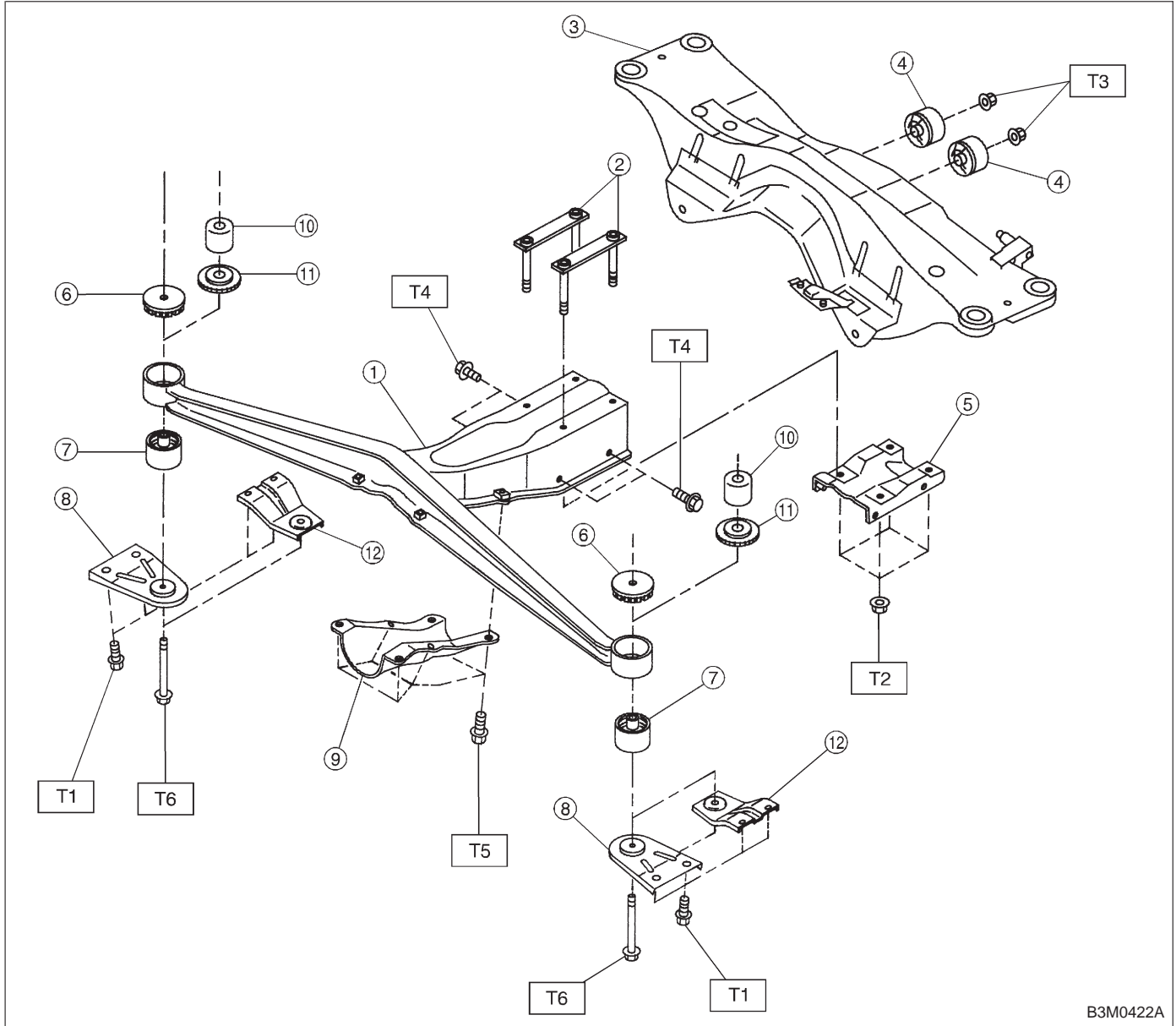


# 1. Rear Differential Mounting System



B3M0422A

- ① Differential front member
- ② Plate
- ③ Crossmember
- ④ Rear bushing
- ⑤ Differential mount lower bracket
- ⑥ Stopper
- ⑦ Front bushing
- ⑧ Differential mount bracket
- ⑨ Differential mount front cover
- ⑩ Boss (OUTBACK, step roof model only)
- ⑪ Stopper (OUTBACK, step roof model only)

- ⑫ Differential mount bracket (OUTBACK, step roof model only)

**Tightening torque: N·m (kg·m, ft·lb)**

**T1: 32±8 (3.3±0.8, 23.9±5.8)**

**T2: 64±8 (6.5±0.8, 47.0±5.8)**

**T3: 69±8 (7.0±0.8, 50.6±5.8)**

**T4: 69±10 (7.0±1.0, 51.0±7.2)**

**T5: 88±10 (9.0±1.0, 65.0±7.2)**

**T6: 98±10 (10.0±1.0, 72.0±7.2)**