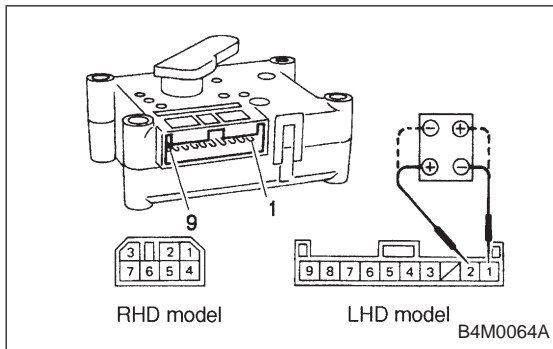


## 6. Mode Door Motor

### A: REMOVAL

- 1) Remove instrument panel. <Ref. to 5-4 [W1A0].>
- 2) Remove mode door motor.



### B: INSPECTION

- 1) When approx. 12 V is applied to the mode door motor terminals, mode door motor operates as follows:

Terminal No.		Mode door motor	
2	1	Mode door motor	
Polarity of power supply terminals		Mode door motor operation	Direction of linkage rotation
-	+	VENT→DEF	Clockwise
+	-	DEF→VENT	Counterclockwise

- 2) Check mode door motor position switch. When the mode door motor is moved to each mode position by using the mode selector switch, check if continuity exists between each terminal as follows:

Mode selector switch positions	Terminal No.	
VENT	8 or 7	9 (GND)
BI-LEV	6 or 7	
HEAT	5 or 6	
DEF/HEAT	4 or 5	
DEF	3 or 4	

### C: INSTALLATION

Installation is in the reverse order of removal.