

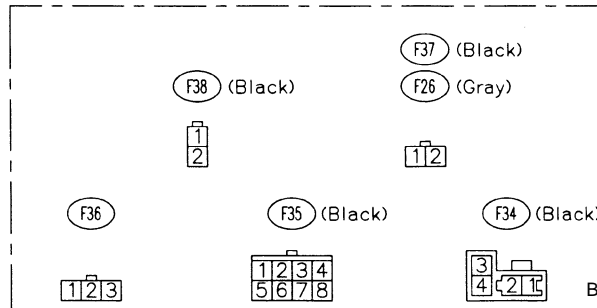
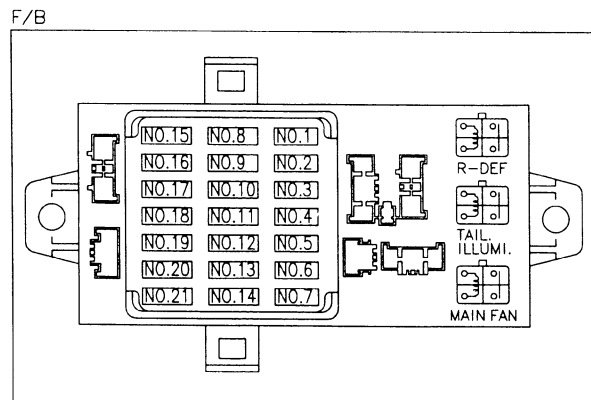
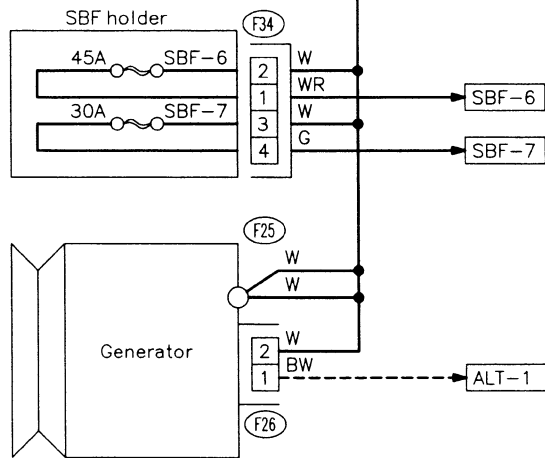
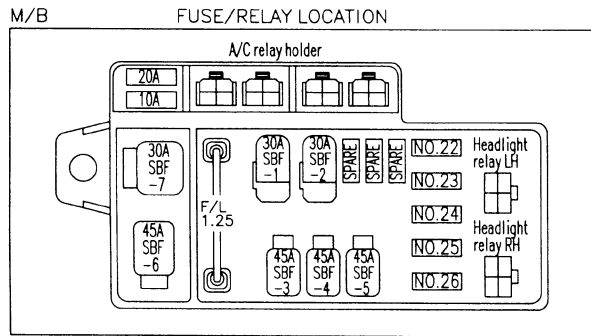
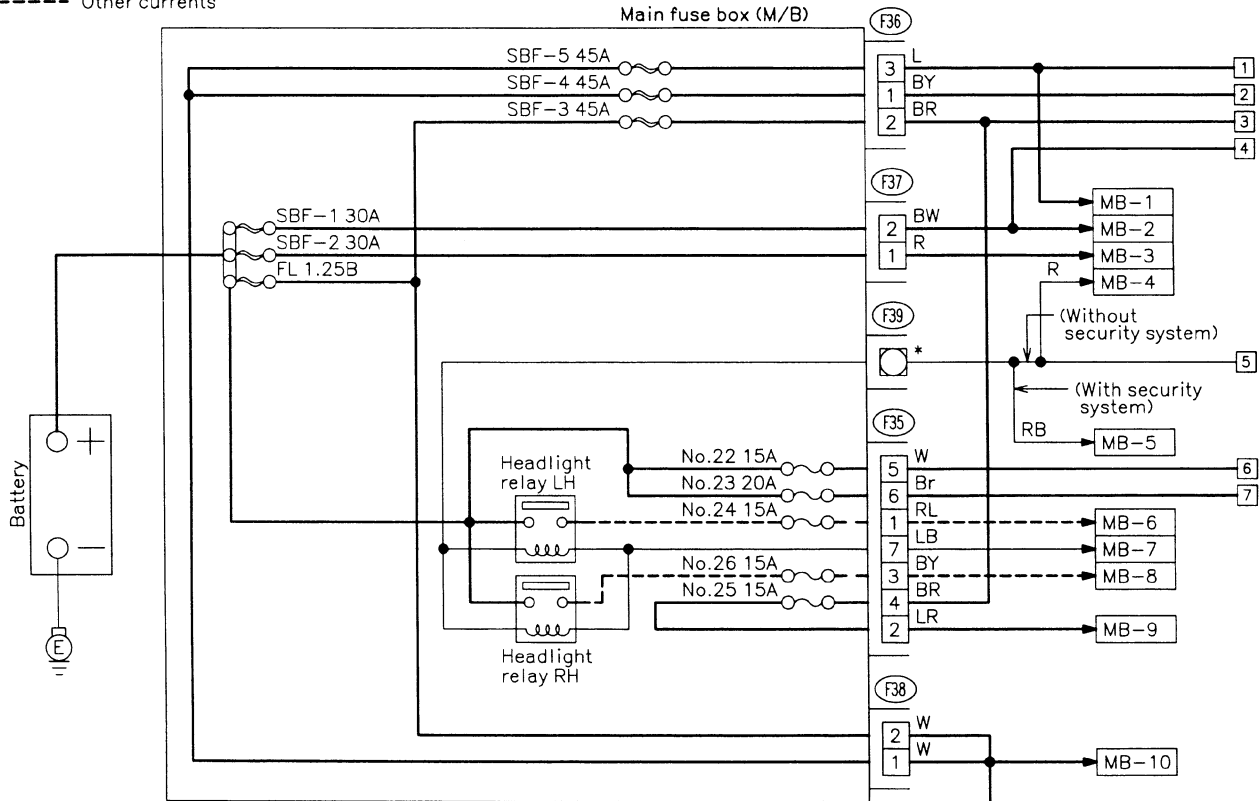
6. Wiring Diagram

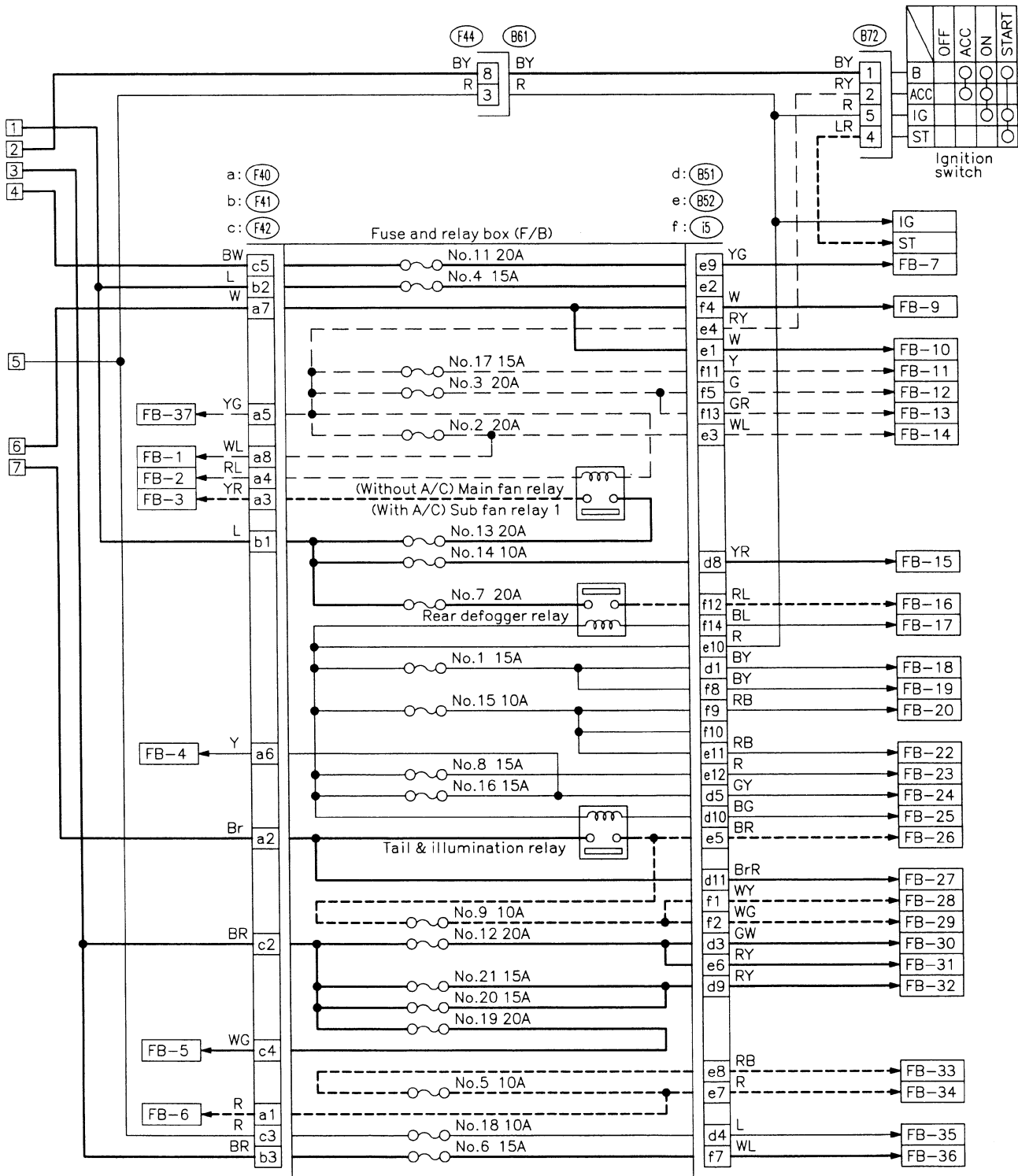
1. POWER SUPPLY ROUTING

● LHD model

- Battery current
- Current from ignition switch IG terminal
- - - Current from ignition switch ACC terminal
- Other currents

*RB : With security system
R : Without security system





- | | | | | | | | | | | | | | | | | | | | | | | | | | | | | | | | | | | | | | | | | | | | | | | | | | | | | | | | | | | | | | | | | | | | | | | | | | | | | | |
|---|------------------|-----------------|-----------------|-----------------|-----------------|-----------------|----------------|---|---|---|---|---|---|---|---|--|---|---|---|---|---|---|---|---|---|----|---|---|---|---|---|---|---|---|---|---|---|---|---|---|---|---|---|---|---|---|----|----|--|---|---|---|---|---|---|---|---|---|----|----|----|---|---|---|---|---|---|---|---|---|---|----|----|----|----|----|----|
| (F44) | (B72)
(Black) | (F40)
(Gray) | (F41)
(Gray) | (F42)
(Gray) | (B51)
(Gray) | (B52)
(Gray) | (i5)
(Gray) | | | | | | | | | | | | | | | | | | | | | | | | | | | | | | | | | | | | | | | | | | | | | | | | | | | | | | | | | | | | | | | | | | | | | | |
| <table border="1" style="font-size: small;"> <tr><td>1</td><td>2</td><td>3</td><td>4</td></tr> <tr><td>5</td><td>6</td><td>7</td><td>8</td></tr> </table> | 1 | 2 | 3 | 4 | 5 | 6 | 7 | 8 | <table border="1" style="font-size: small;"> <tr><td>1</td><td>2</td><td>3</td></tr> <tr><td>4</td><td>5</td><td>6</td></tr> </table> | 1 | 2 | 3 | 4 | 5 | 6 | <table border="1" style="font-size: small;"> <tr><td>1</td><td>2</td><td>3</td><td>4</td><td>5</td></tr> <tr><td>6</td><td>7</td><td>8</td><td>9</td><td>10</td></tr> </table> | 1 | 2 | 3 | 4 | 5 | 6 | 7 | 8 | 9 | 10 | <table border="1" style="font-size: small;"> <tr><td>1</td></tr> <tr><td>2</td><td>3</td></tr> </table> | 1 | 2 | 3 | <table border="1" style="font-size: small;"> <tr><td>1</td><td>2</td></tr> <tr><td>3</td><td>4</td><td>5</td></tr> </table> | 1 | 2 | 3 | 4 | 5 | <table border="1" style="font-size: small;"> <tr><td>1</td><td>2</td><td>3</td><td>4</td><td>5</td></tr> <tr><td>6</td><td>7</td><td>8</td><td>9</td><td>10</td><td>11</td></tr> </table> | 1 | 2 | 3 | 4 | 5 | 6 | 7 | 8 | 9 | 10 | 11 | <table border="1" style="font-size: small;"> <tr><td>1</td><td>2</td><td>3</td><td>4</td><td>5</td><td>6</td></tr> <tr><td>7</td><td>8</td><td>9</td><td>10</td><td>11</td><td>12</td></tr> </table> | 1 | 2 | 3 | 4 | 5 | 6 | 7 | 8 | 9 | 10 | 11 | 12 | <table border="1" style="font-size: small;"> <tr><td>1</td><td>2</td><td>3</td><td>4</td><td>5</td><td>6</td><td>7</td></tr> <tr><td>8</td><td>9</td><td>10</td><td>11</td><td>12</td><td>13</td><td>14</td><td>15</td></tr> </table> | 1 | 2 | 3 | 4 | 5 | 6 | 7 | 8 | 9 | 10 | 11 | 12 | 13 | 14 | 15 |
| 1 | 2 | 3 | 4 | | | | | | | | | | | | | | | | | | | | | | | | | | | | | | | | | | | | | | | | | | | | | | | | | | | | | | | | | | | | | | | | | | | | | | | | | | |
| 5 | 6 | 7 | 8 | | | | | | | | | | | | | | | | | | | | | | | | | | | | | | | | | | | | | | | | | | | | | | | | | | | | | | | | | | | | | | | | | | | | | | | | | | |
| 1 | 2 | 3 | | | | | | | | | | | | | | | | | | | | | | | | | | | | | | | | | | | | | | | | | | | | | | | | | | | | | | | | | | | | | | | | | | | | | | | | | | | |
| 4 | 5 | 6 | | | | | | | | | | | | | | | | | | | | | | | | | | | | | | | | | | | | | | | | | | | | | | | | | | | | | | | | | | | | | | | | | | | | | | | | | | | |
| 1 | 2 | 3 | 4 | 5 | | | | | | | | | | | | | | | | | | | | | | | | | | | | | | | | | | | | | | | | | | | | | | | | | | | | | | | | | | | | | | | | | | | | | | | | | |
| 6 | 7 | 8 | 9 | 10 | | | | | | | | | | | | | | | | | | | | | | | | | | | | | | | | | | | | | | | | | | | | | | | | | | | | | | | | | | | | | | | | | | | | | | | | | |
| 1 | | | | | | | | | | | | | | | | | | | | | | | | | | | | | | | | | | | | | | | | | | | | | | | | | | | | | | | | | | | | | | | | | | | | | | | | | | | | | |
| 2 | 3 | | | | | | | | | | | | | | | | | | | | | | | | | | | | | | | | | | | | | | | | | | | | | | | | | | | | | | | | | | | | | | | | | | | | | | | | | | | | |
| 1 | 2 | | | | | | | | | | | | | | | | | | | | | | | | | | | | | | | | | | | | | | | | | | | | | | | | | | | | | | | | | | | | | | | | | | | | | | | | | | | | |
| 3 | 4 | 5 | | | | | | | | | | | | | | | | | | | | | | | | | | | | | | | | | | | | | | | | | | | | | | | | | | | | | | | | | | | | | | | | | | | | | | | | | | | |
| 1 | 2 | 3 | 4 | 5 | | | | | | | | | | | | | | | | | | | | | | | | | | | | | | | | | | | | | | | | | | | | | | | | | | | | | | | | | | | | | | | | | | | | | | | | | |
| 6 | 7 | 8 | 9 | 10 | 11 | | | | | | | | | | | | | | | | | | | | | | | | | | | | | | | | | | | | | | | | | | | | | | | | | | | | | | | | | | | | | | | | | | | | | | | | |
| 1 | 2 | 3 | 4 | 5 | 6 | | | | | | | | | | | | | | | | | | | | | | | | | | | | | | | | | | | | | | | | | | | | | | | | | | | | | | | | | | | | | | | | | | | | | | | | |
| 7 | 8 | 9 | 10 | 11 | 12 | | | | | | | | | | | | | | | | | | | | | | | | | | | | | | | | | | | | | | | | | | | | | | | | | | | | | | | | | | | | | | | | | | | | | | | | |
| 1 | 2 | 3 | 4 | 5 | 6 | 7 | | | | | | | | | | | | | | | | | | | | | | | | | | | | | | | | | | | | | | | | | | | | | | | | | | | | | | | | | | | | | | | | | | | | | | | |
| 8 | 9 | 10 | 11 | 12 | 13 | 14 | 15 | | | | | | | | | | | | | | | | | | | | | | | | | | | | | | | | | | | | | | | | | | | | | | | | | | | | | | | | | | | | | | | | | | | | | | |

6. Wiring Diagram

No.	Load
MB-1	Fuse holder (Rear power supply & seat heater)
MB-2	Power window circuit breaker
MB-3	Engine control module Fuel pump relay Main relay OBD-II service connector
MB-4	A/C relay holder
MB-5	Headlight alarm relay (with security)
MB-6	Headlight LH
MB-7	Daytime running light control module Diode (Lighting) Diode (Security) Lighting switch
MB-8	Combination meter Front fog light switch Headlight RH Front fog light relay
MB-9	Door lock timer Headlight alarm relay Interrupt relay Radio Security control module Security indicator light Spot light Room light Step light Combination meter Luggage room light Trailer connector Trunk room light
MB-10	A/C relay holder
SBF-6	ABS relay box TCS motor relay
SBF-7	TCS valve relay
ALT-1	Combination meter Daytime running light control module Diode (TCS)
IG	Headlight alarm relay
ST	Cruise control module Engine control module Inhibitor switch (AT) Interrupt relay Starter interlock relay (MT)
FB-1	Front washer motor Rear washer motor
FB-2	Engine control module Main fan relay 1
FB-3	Sub fan relay 2 Sub fan motor
FB-4	Engine control module Fuel pump relay Ignition coil Transmission control module

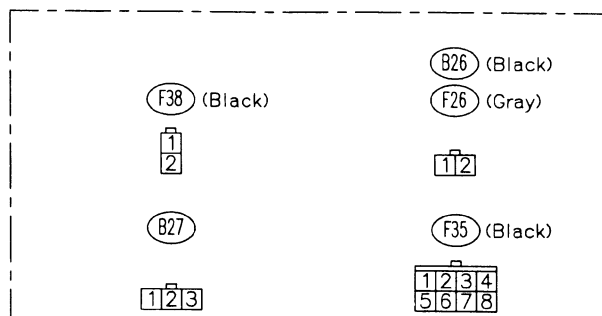
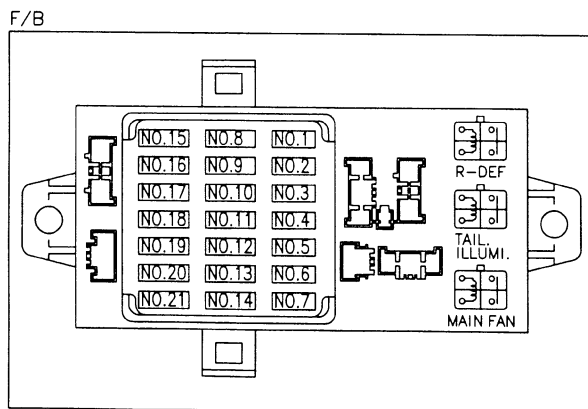
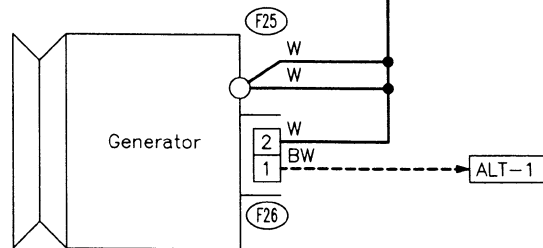
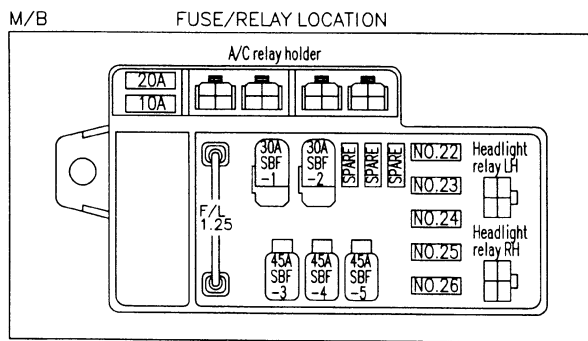
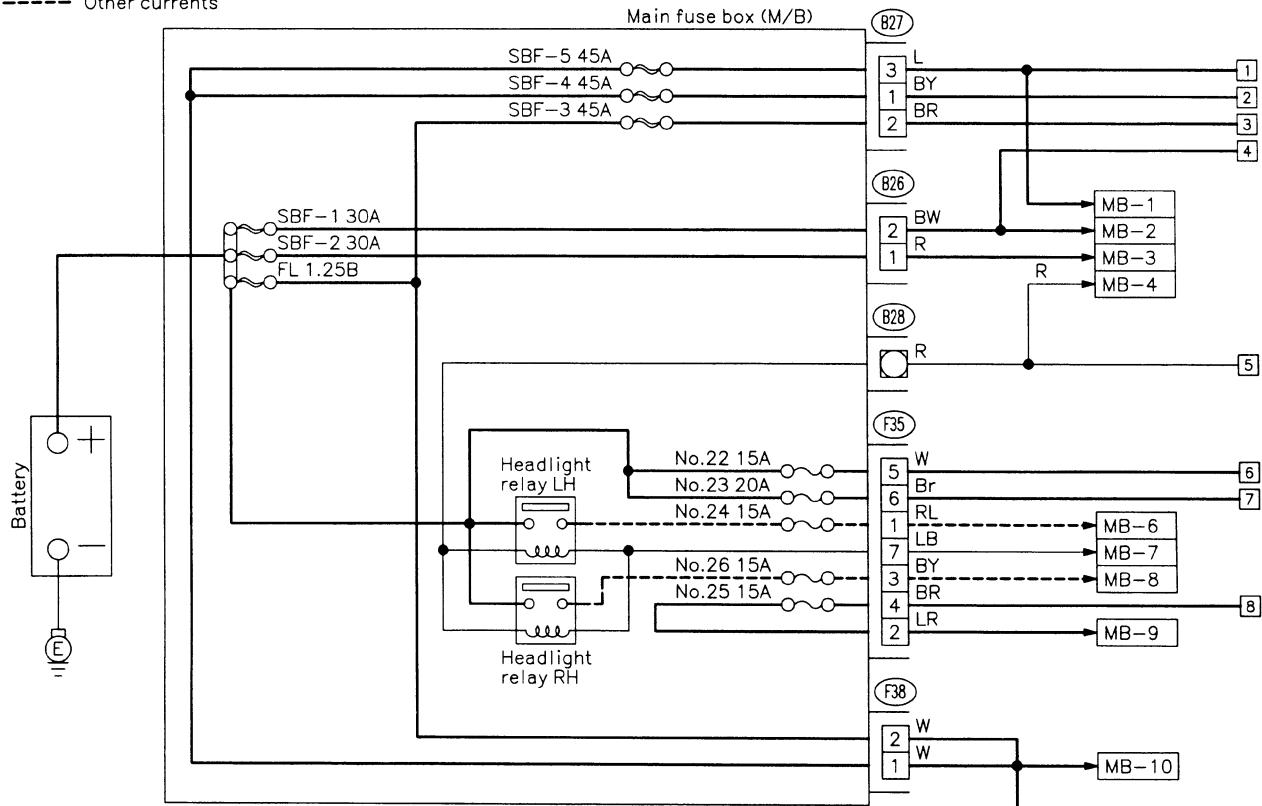
No.	Load
FB-5	ABS relay box
FB-6	Side marker light LH Side marker light RH
FB-7	Door lock timer
FB-9	Hazard switch
FB-10	AT shift lock control module Key warning switch Power antenna
FB-11	Radio
FB-12	Front accessory power supply
FB-13	Mirror heater Rear power supply relay Remote control rearview mirror switch Security control module Vanity mirror illumination light
FB-14	AT shift lock control module Combination switch Front wiper motor Rear wiper motor Rear wiper relay
FB-15	ABS/TCS control module Transmission control module
FB-16	Rear defogger Rear defogger condenser Rear defogger switch
FB-17	Rear defogger switch
FB-18	AT shift lock control module Back-up light switch (MT) Inhibitor switch (AT)
FB-19	Hazard switch
FB-20	A/C switch Combination meter Mode control panel TCS off switch
FB-22	Blower motor relay Check connector Daytime running light control module Daytime running light relay FRESH/RECIRC actuator Hi-beam relay Power window and sunroof relay Seat belt timer
FB-23	Airbag control module
FB-24	Airbag control module
FB-25	Lighting switch

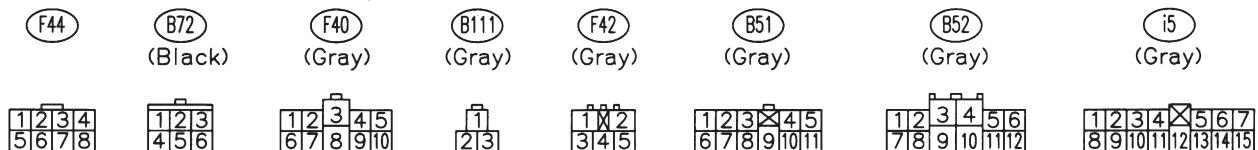
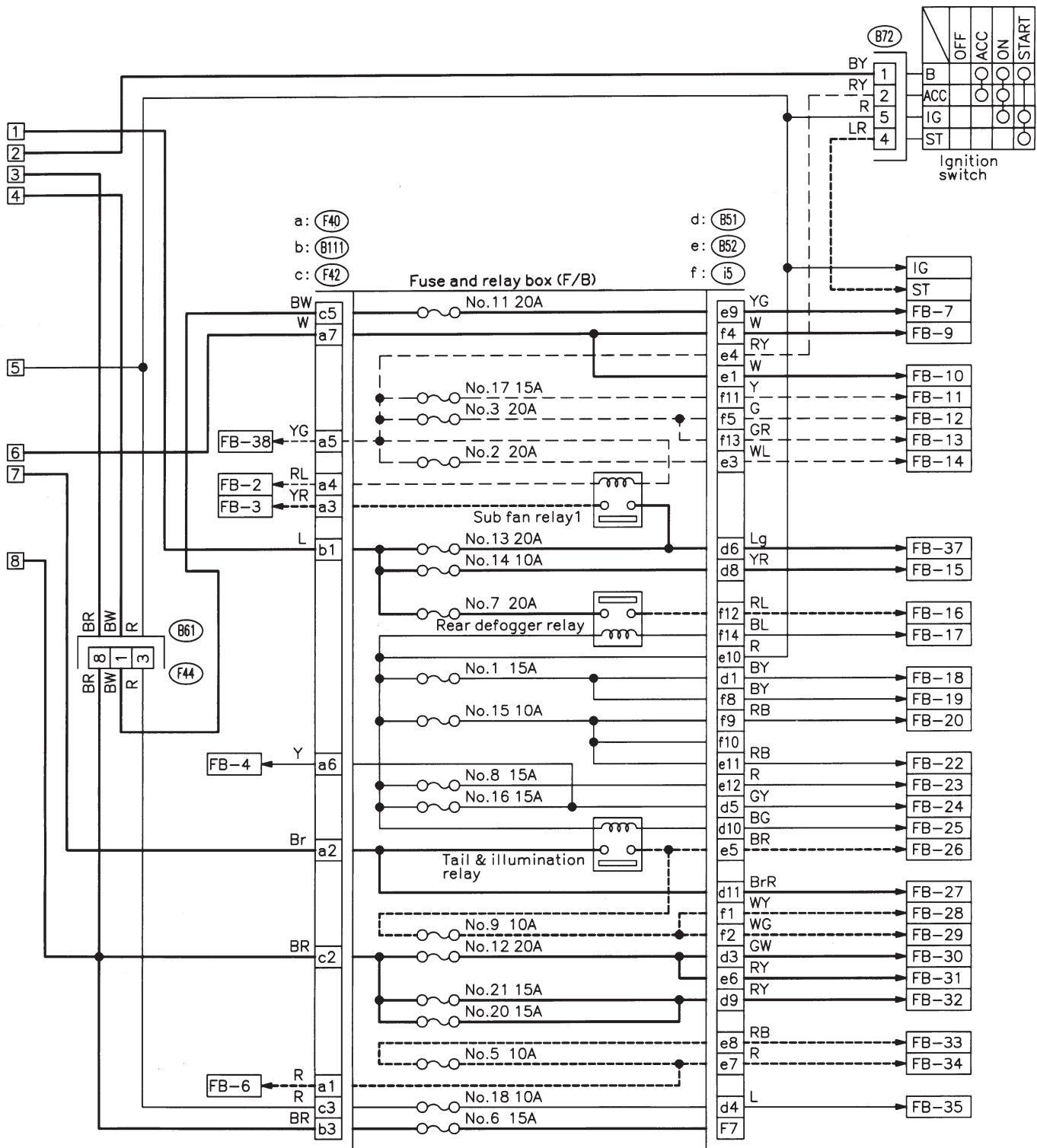
No.	Load
FB-26	Parking switch
FB-27	Parking switch
FB-28	Illumination light
FB-29	Illumination light
FB-30	Pedal stroke switch Stop light switch Stop & brake switch
FB-31	Horn relay
FB-32	Blower motor relay
FB-33	Parking switch
FB-34	License plate light Rear combination light LH Rear combination light RH Rear finisher light LH Rear finisher light RH
FB-35	ABS control module ABS/TCS control module TCS valve relay Cruise control main switch Cruise control module
FB-36	Front fog light relay
FB-37	Main fan relay 1

1. POWER SUPPLY ROUTING

● RHD model

- Battery current
- Current from ignition switch IG terminal
- - - Current from ignition switch ACC terminal
- Other currents





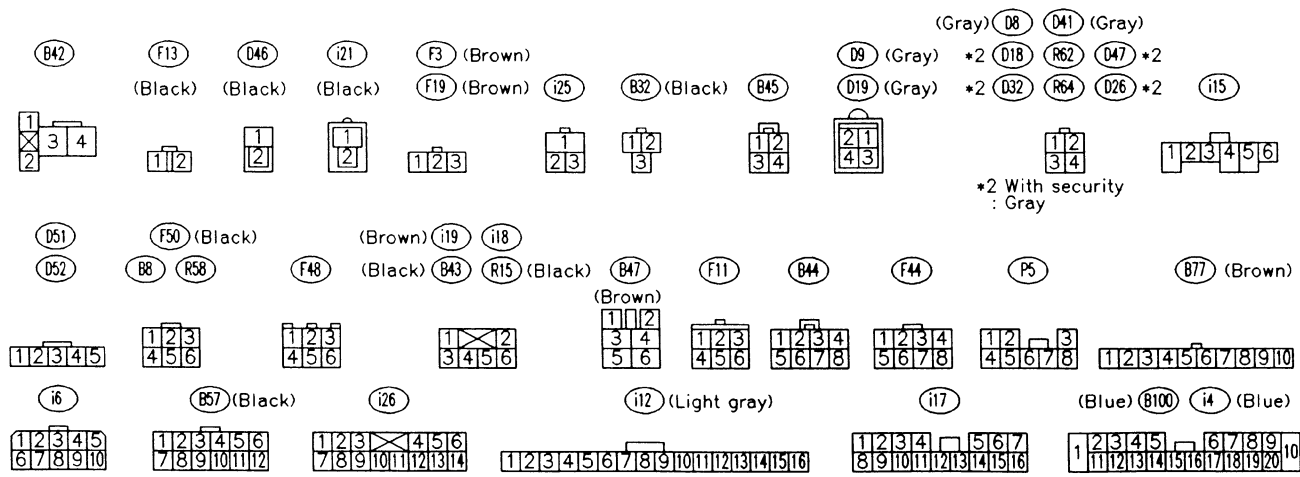
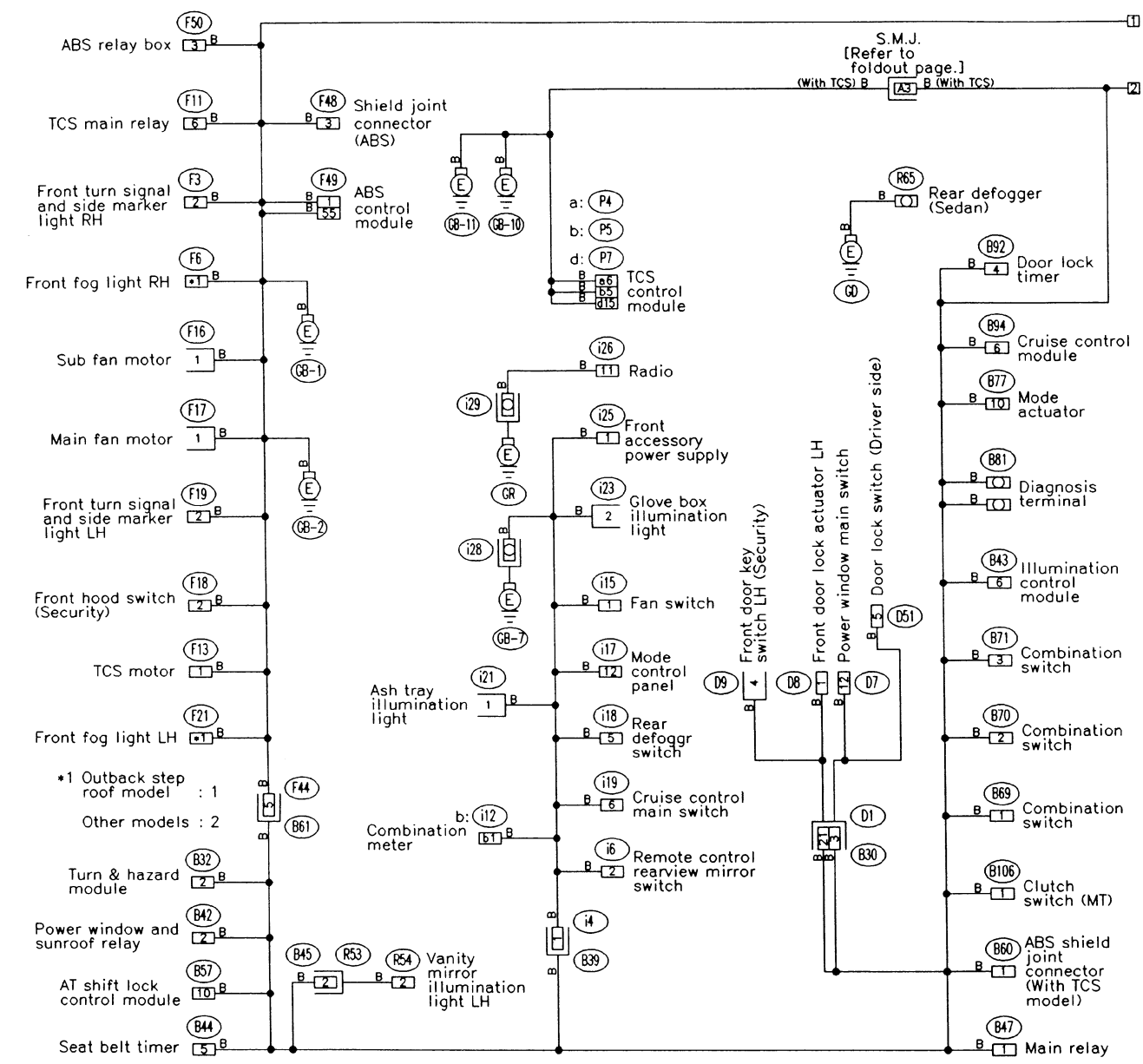
6. Wiring Diagram

No.	Load
MB-2	Power window circuit breaker
MB-3	Engine control module Fuel pump relay Main relay OBD-II service connector
MB-4	A/C relay holder
MB-6	Headlight LH
MB-7	Diode (Lighting) Lighting switch
MB-8	Combination meter Headlight RH
MB-9	Combination meter Door lock timer Luggage room light Radio Room light
MB-10	A/C relay holder
ALT-1	Combination meter
IG	A/C relay holder
ST	Cruise control module Engine control module Inhibitor switch
FB-2	Engine control module Main fan relay 1
FB-3	Sub fan motor Sub fan relay-2
FB-4	Engine control module Fuel pump relay Ignition coil Transmission control module
FB-6	Side marker light LH Side marker light RH
FB-7	Door lock timer
FB-9	Hazard switch
FB-10	AT shift lock control module Key warning switch Power antenna
FB-11	Radio
FB-12	Cigarette lighter
FB-13	Remote control rearview mirror switch
FB-14	AT shift lock control module Combination switch Front washer motor Front wiper motor Rear washer motor Rear wiper motor Rear wiper relay

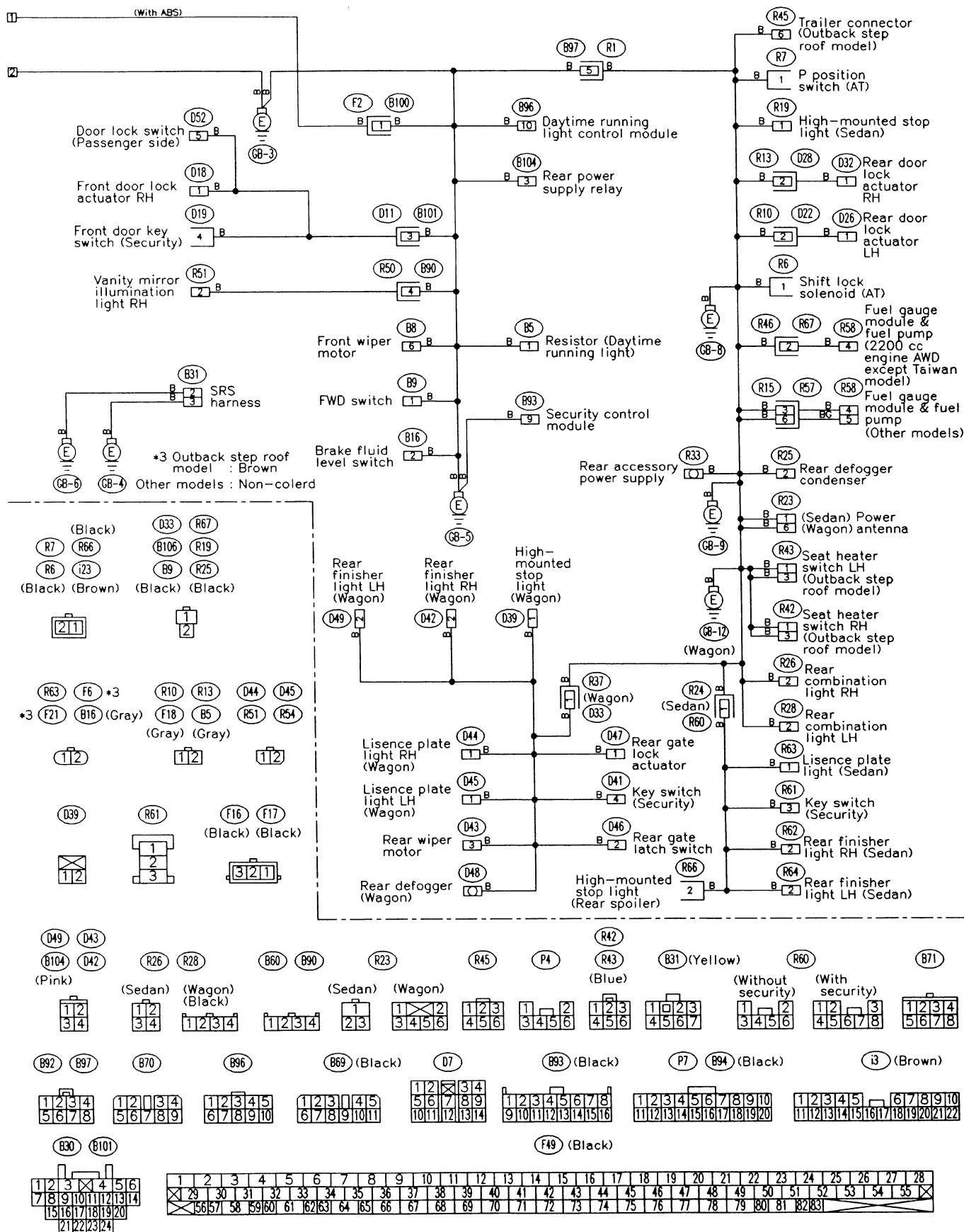
No.	Load
FB-15	Transmission control module
FB-16	Rear defogger Rear defogger condenser Rear defogger switch
FB-17	Rear defogger switch
FB-18	AT shift lock control module Inhibitor switch
FB-19	Hazard switch
FB-20	Combination meter Mode control panel
FB-22	Blower motor relay Check connector FRESH/RECIRC actuator Mode actuator Power window relay Seat belt timer
FB-23	Airbag control module
FB-24	Airbag control module
FB-25	Lighting switch
FB-26	Parking switch
FB-27	Parking switch
FB-28	Illumination light
FB-29	Illumination light
FB-30	Stop light switch Stop & brake switch
FB-31	Horn relay
FB-32	Blower motor relay
FB-33	Parking switch
FB-34	License plate light LH License plate light RH Rear combination light LH Rear combination light RH Rear finisher light LH Rear finisher light RH
FB-35	Cruise control main switch Cruise control module
FB-38	Main fan relay 1

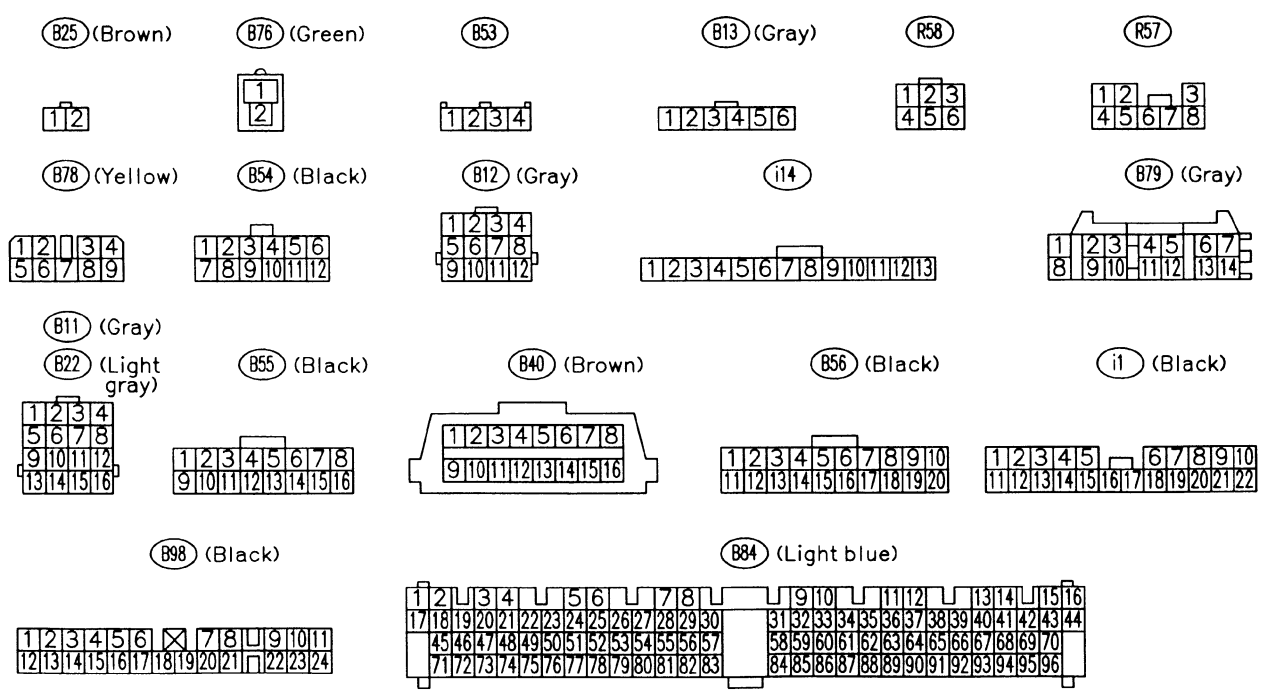
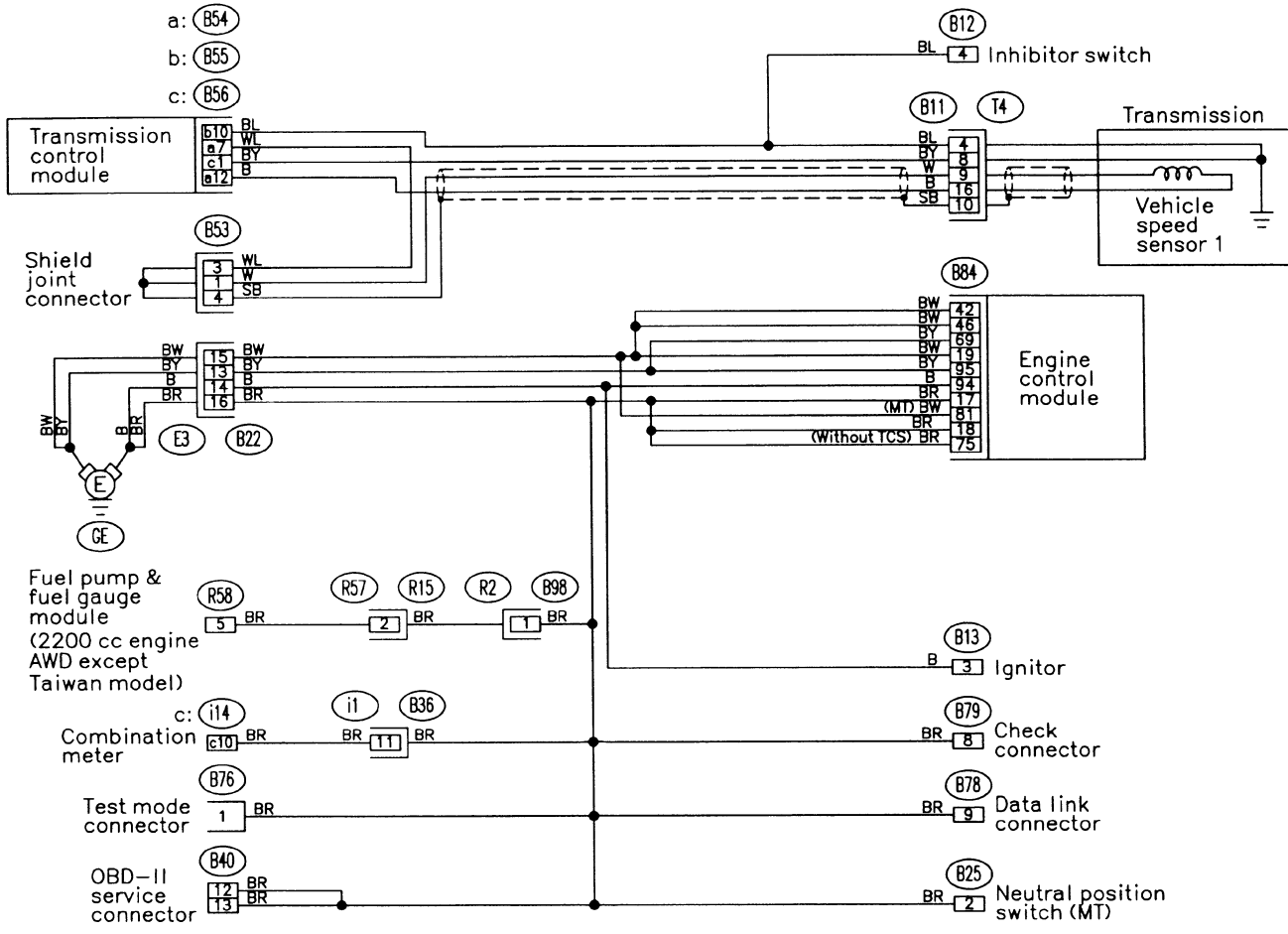
2. GROUND DISTRIBUTION

● LHD model



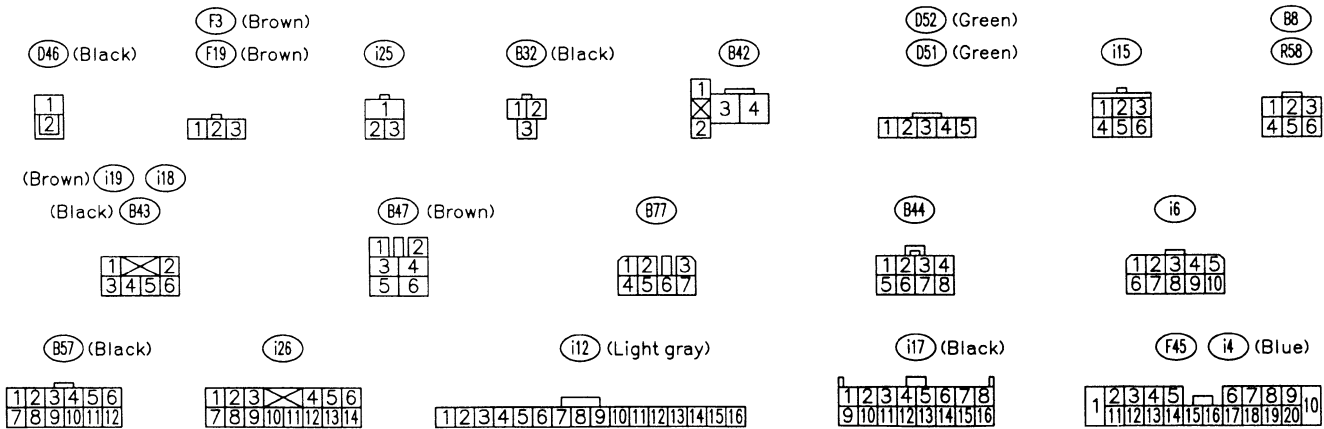
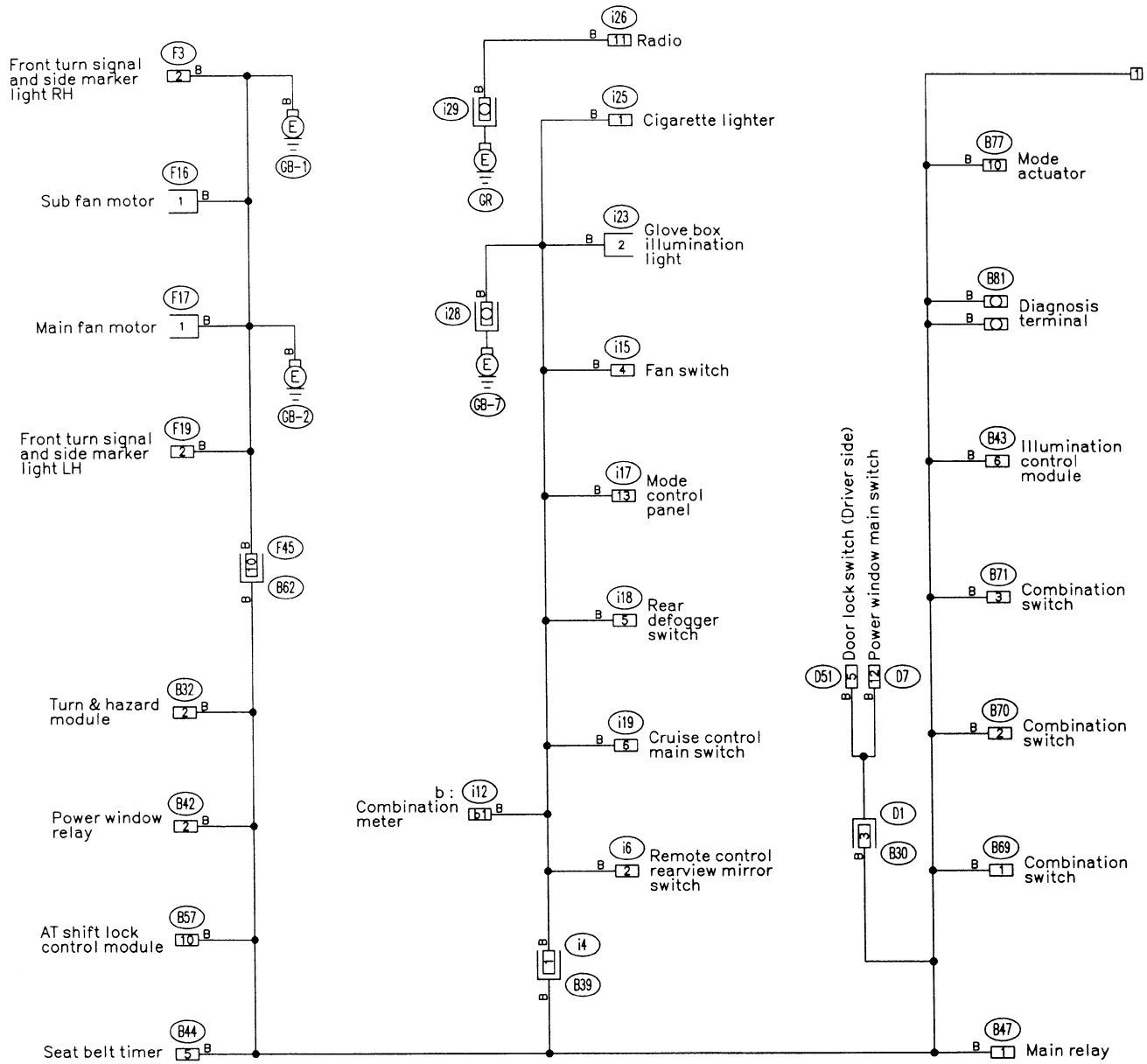
6. Wiring Diagram

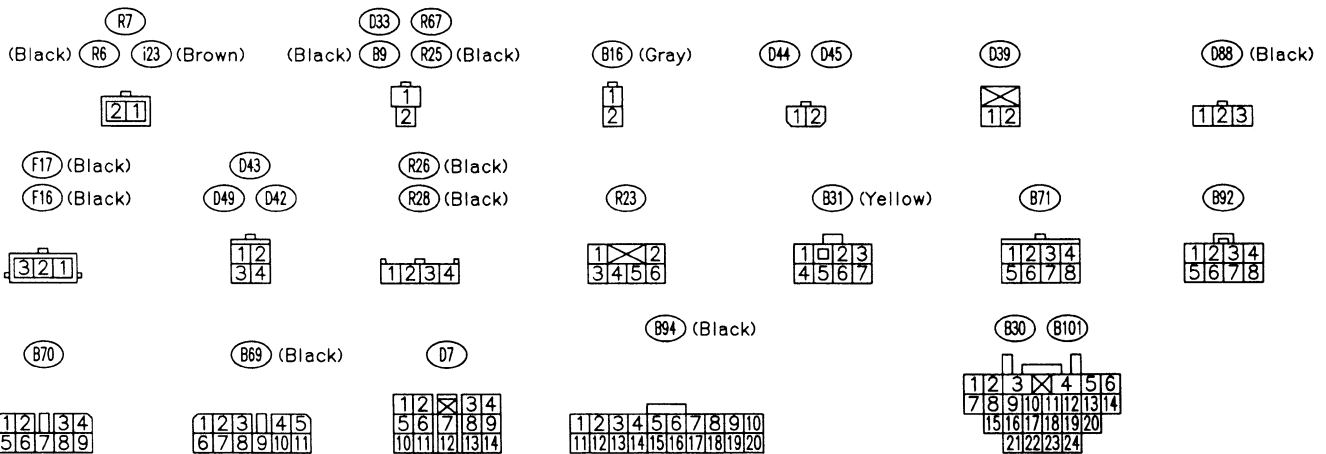
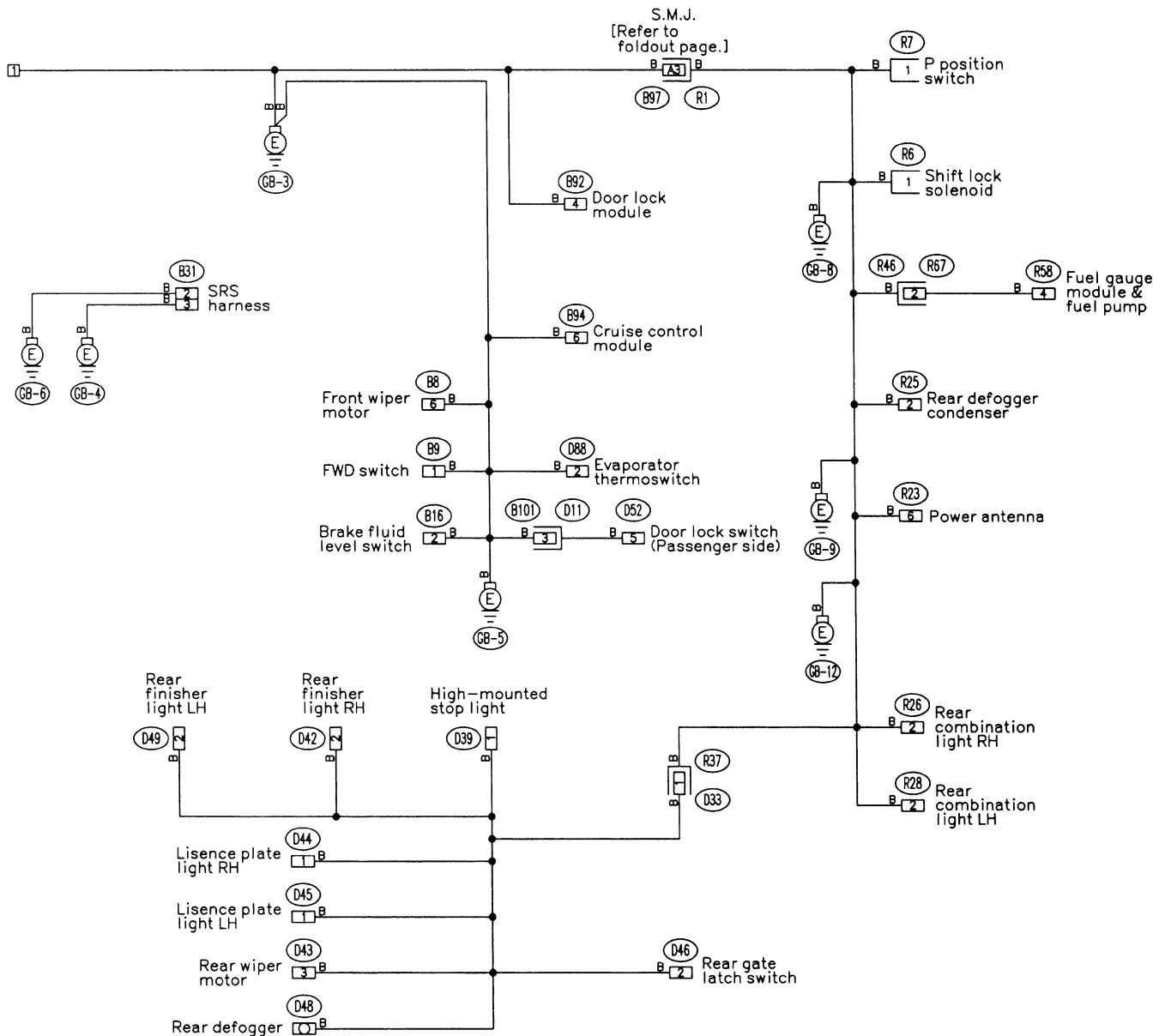




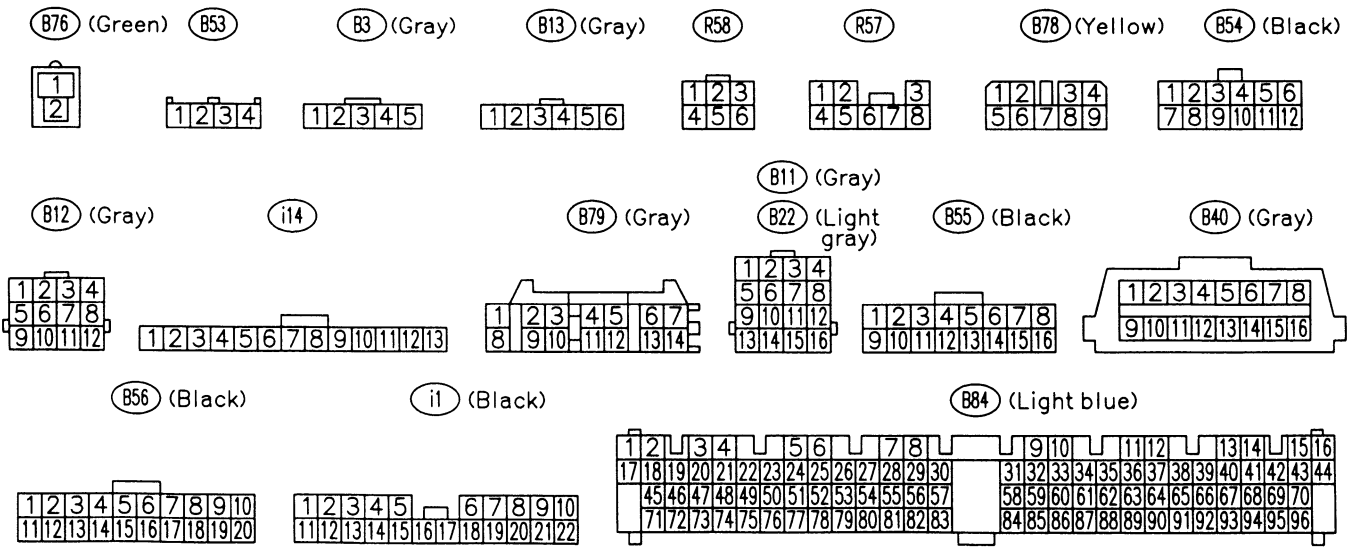
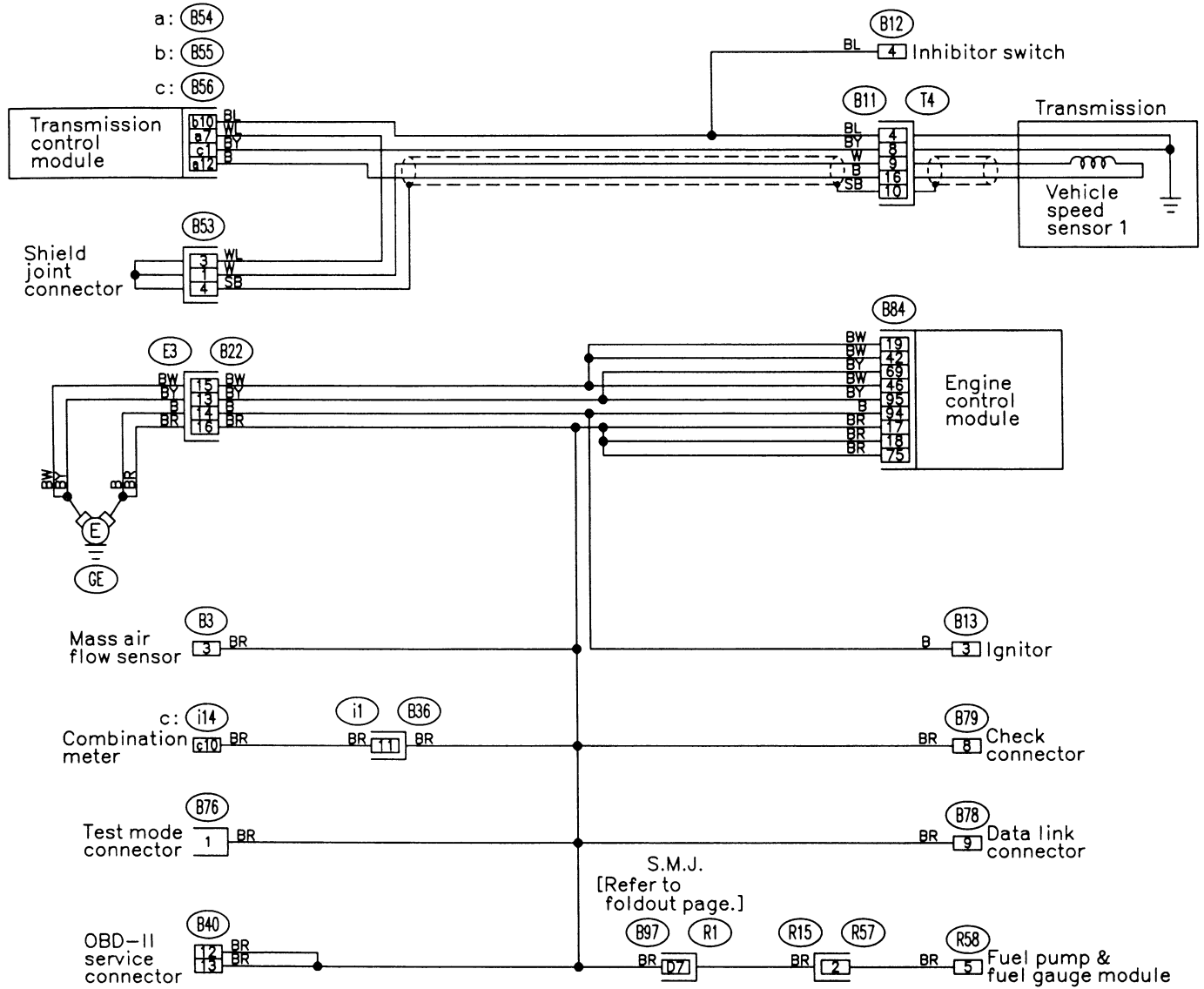
2. GROUND DISTRIBUTION

● RHD model



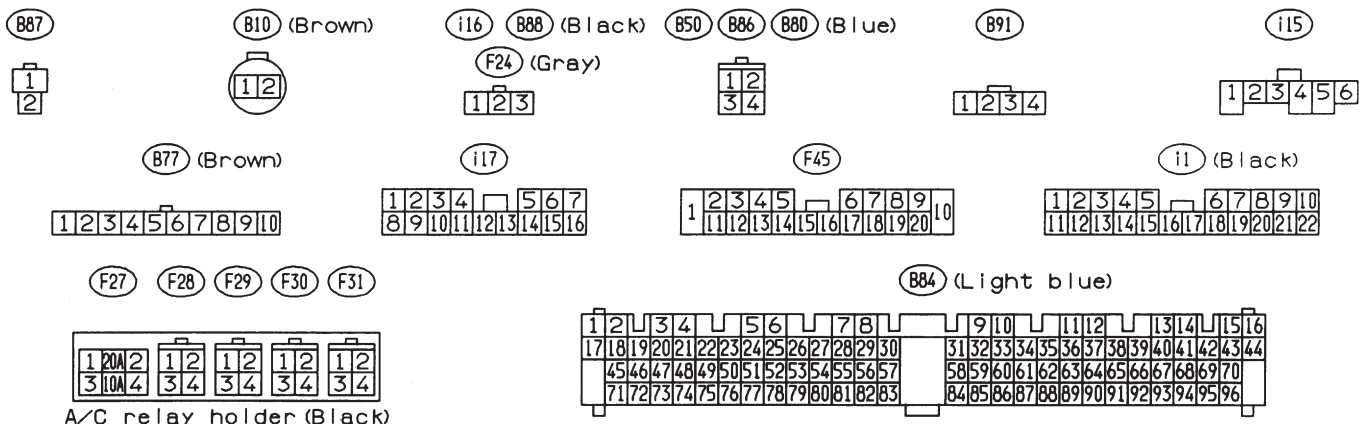
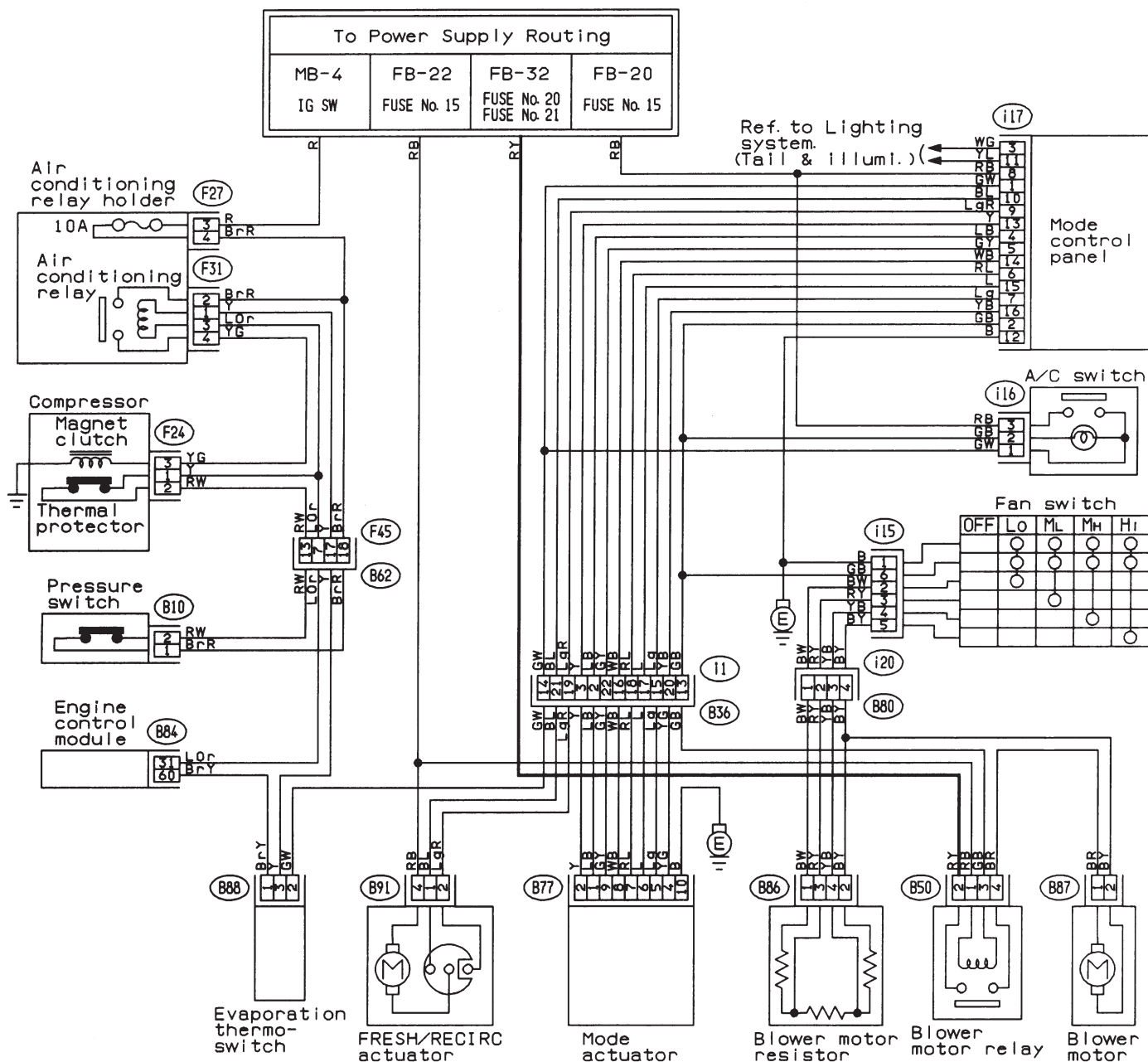


6. Wiring Diagram



3. AIR CONDITIONING SYSTEM

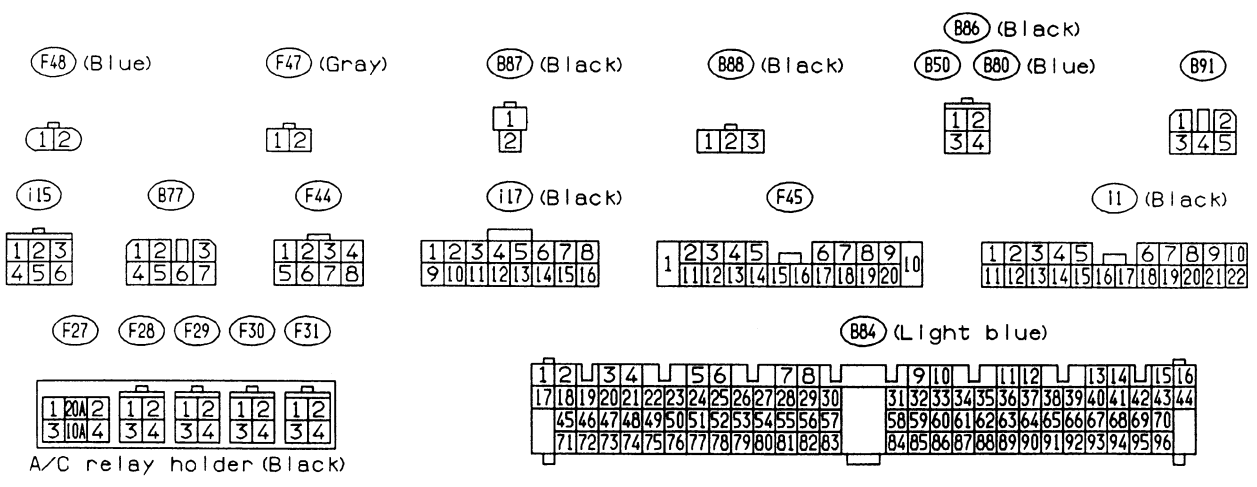
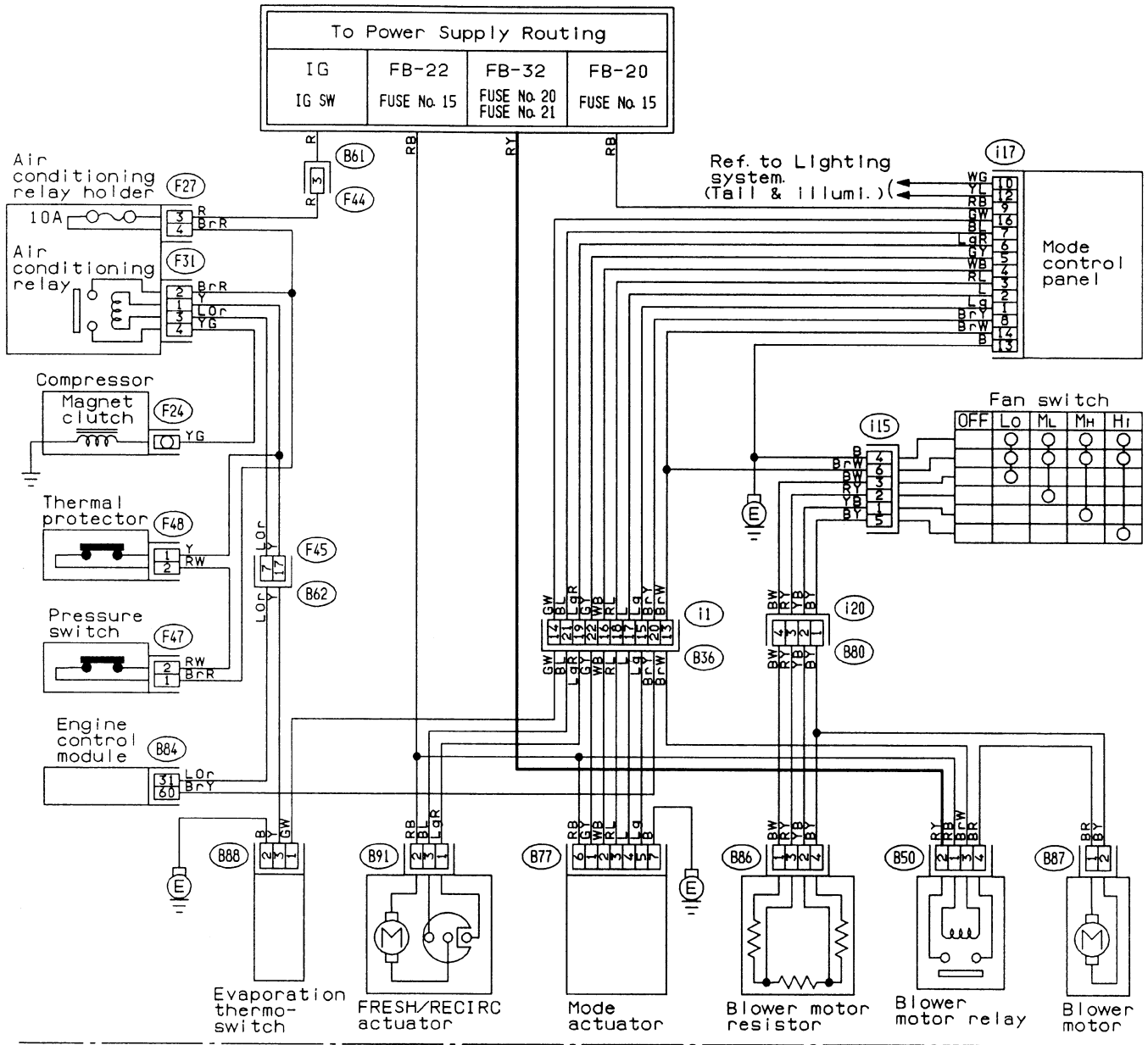
● LHD model



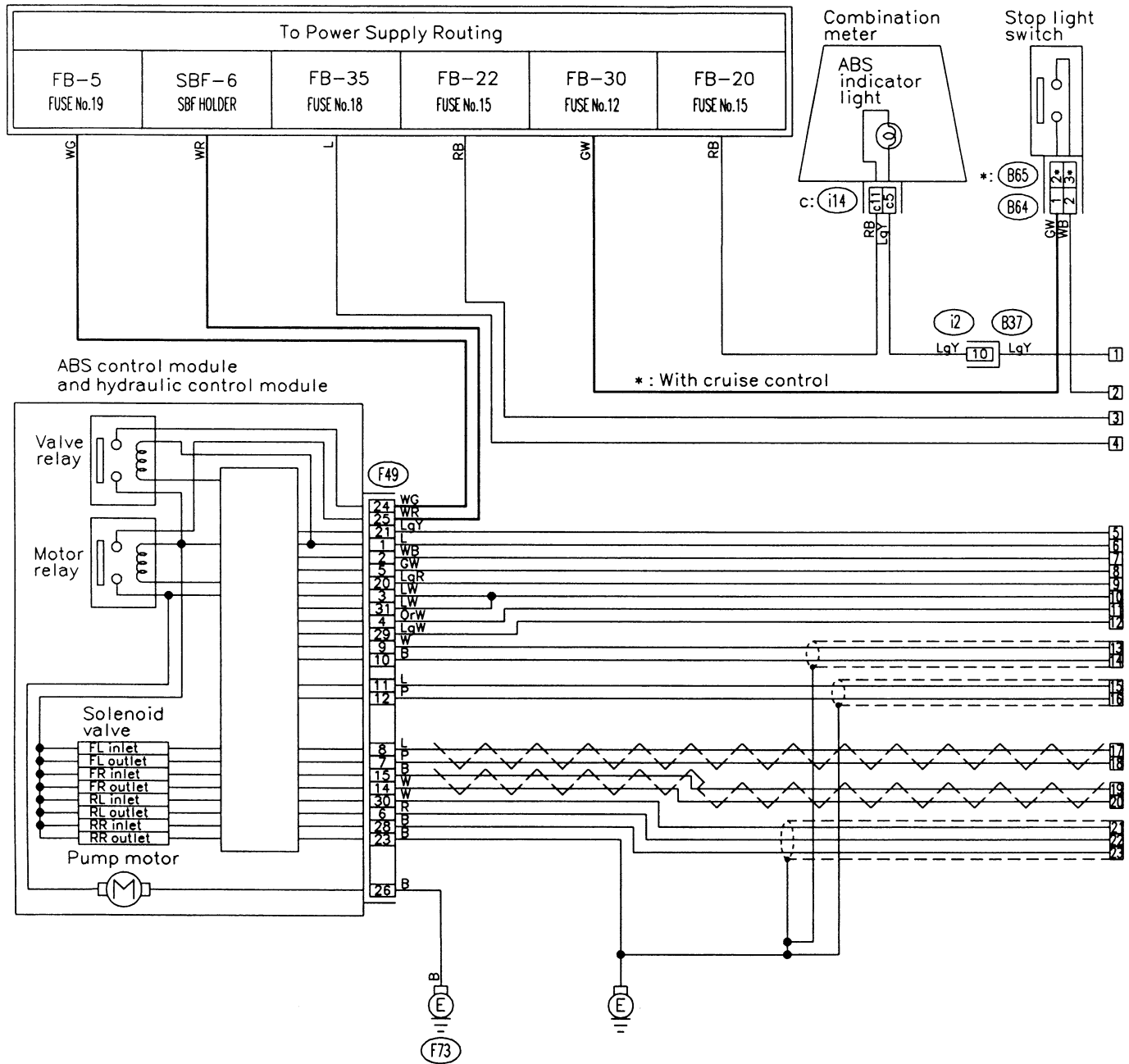
A/C relay holder (Black)

3. AIR CONDITIONING SYSTEM

● RHD model



4. ANTI-LOCK BRAKE SYSTEM



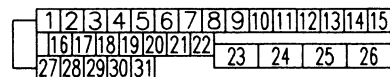
(B64) (Black)



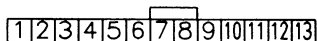
(B65) (Black)



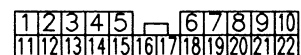
(F49)



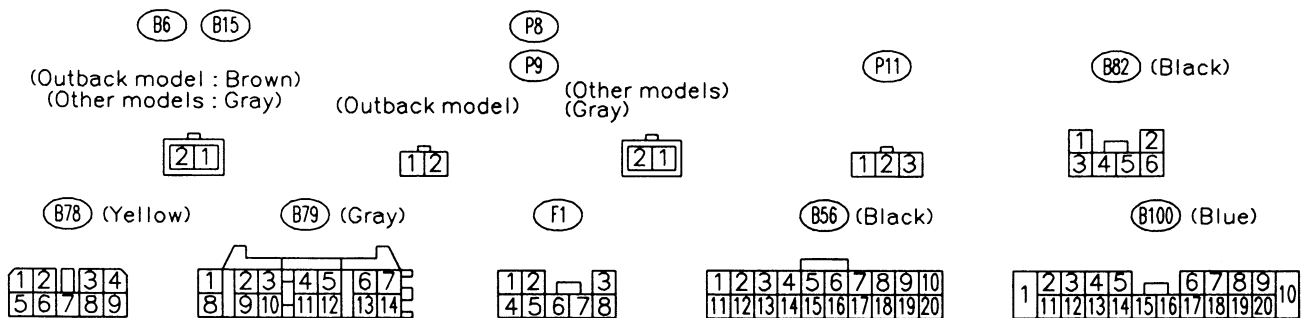
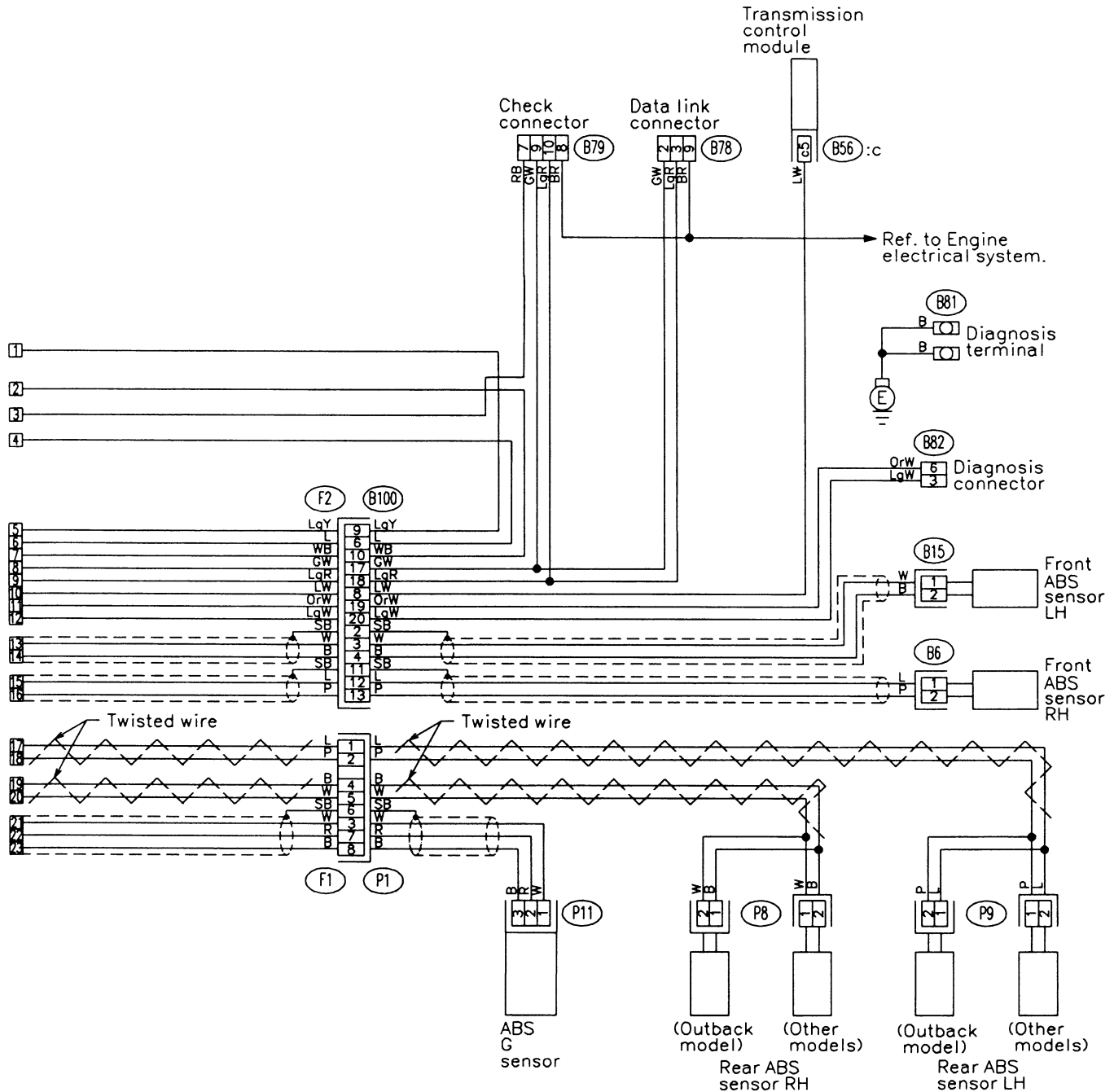
(i14)



(i2)

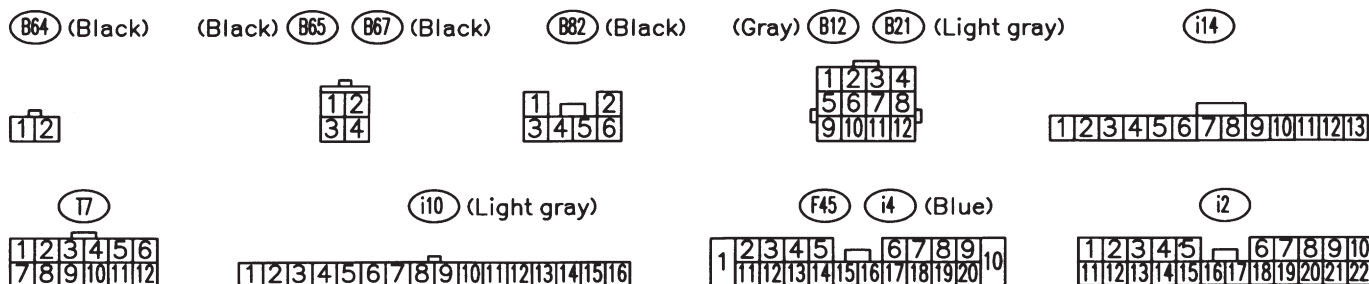
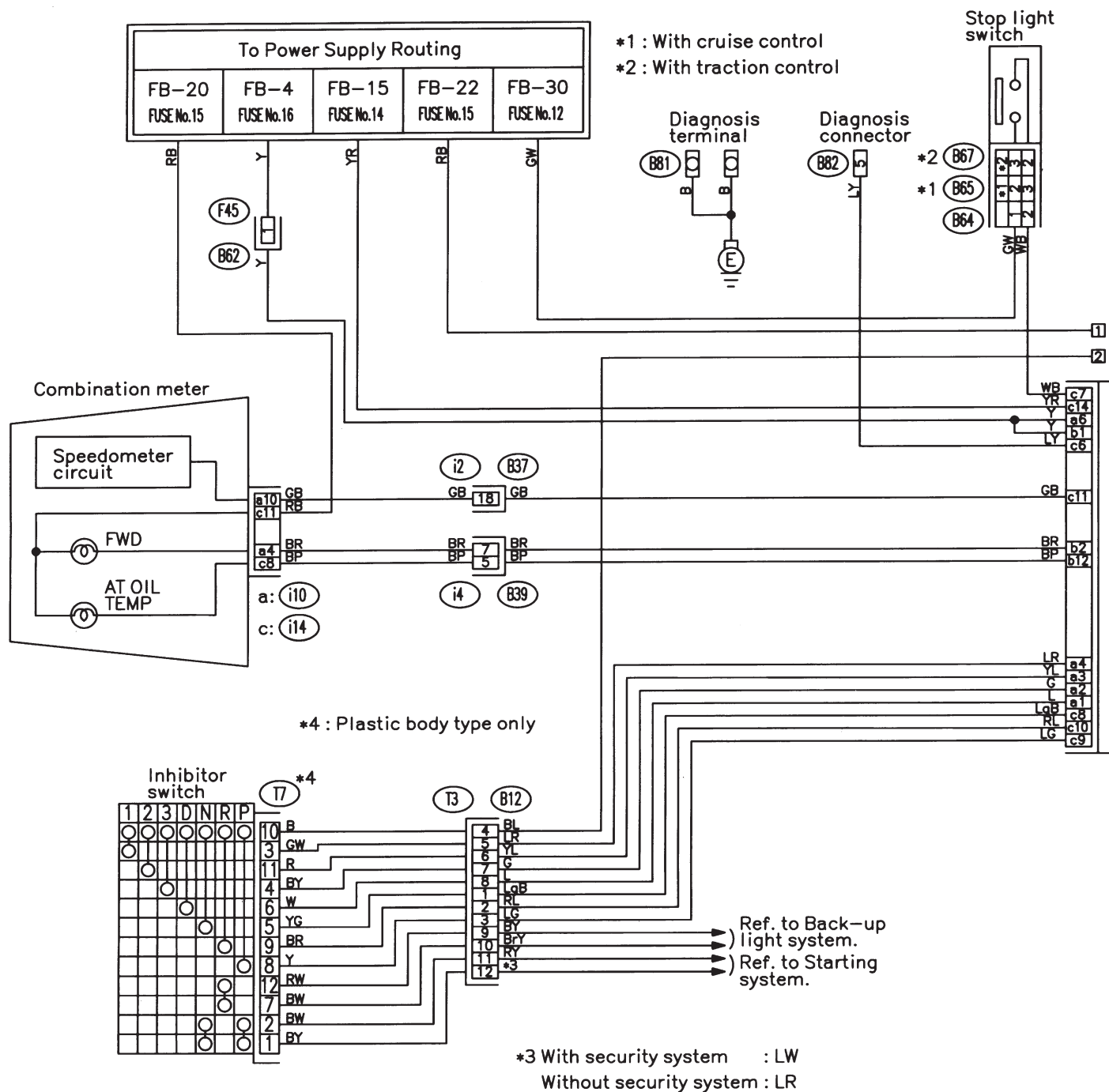


6. Wiring Diagram

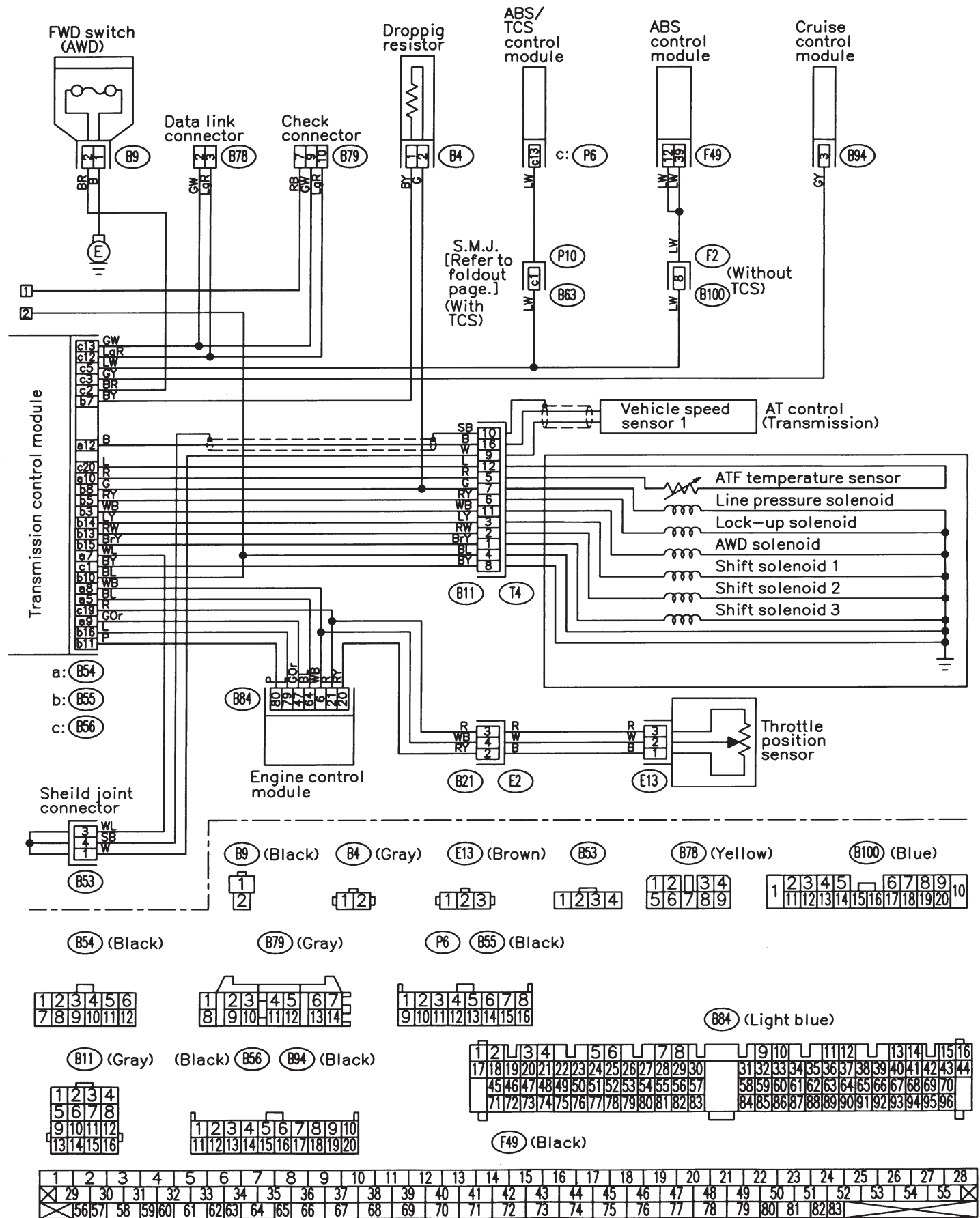


5. AT CONTROL SYSTEM

● LHD model

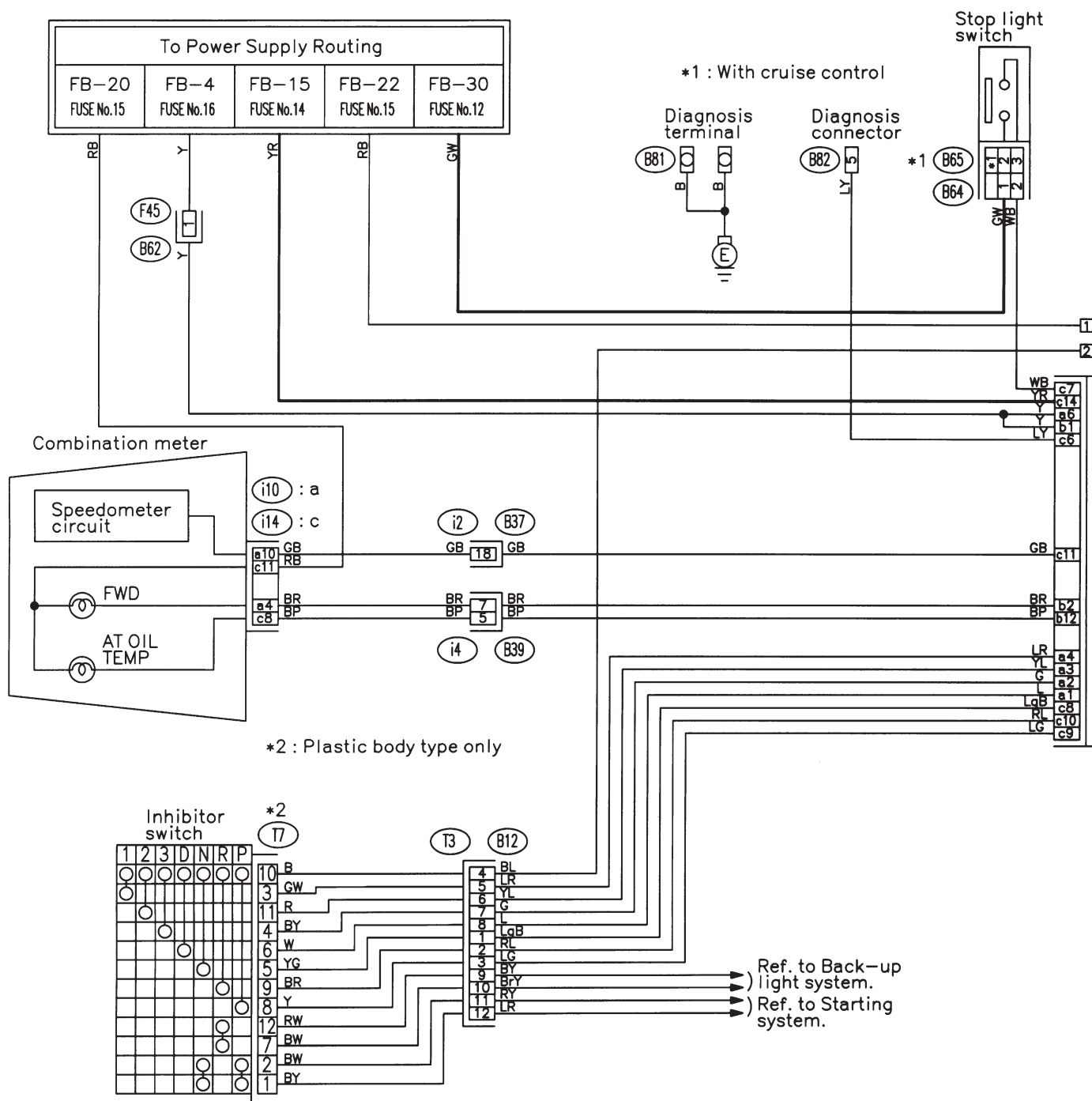


6. Wiring Diagram



5. AT CONTROL SYSTEM

● RHD model



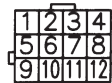
(B64) (Black)

(B65) (Black)

(B82) (Black)

(Gray) (B12) (B21) (Light gray)

(i14)



(T7)

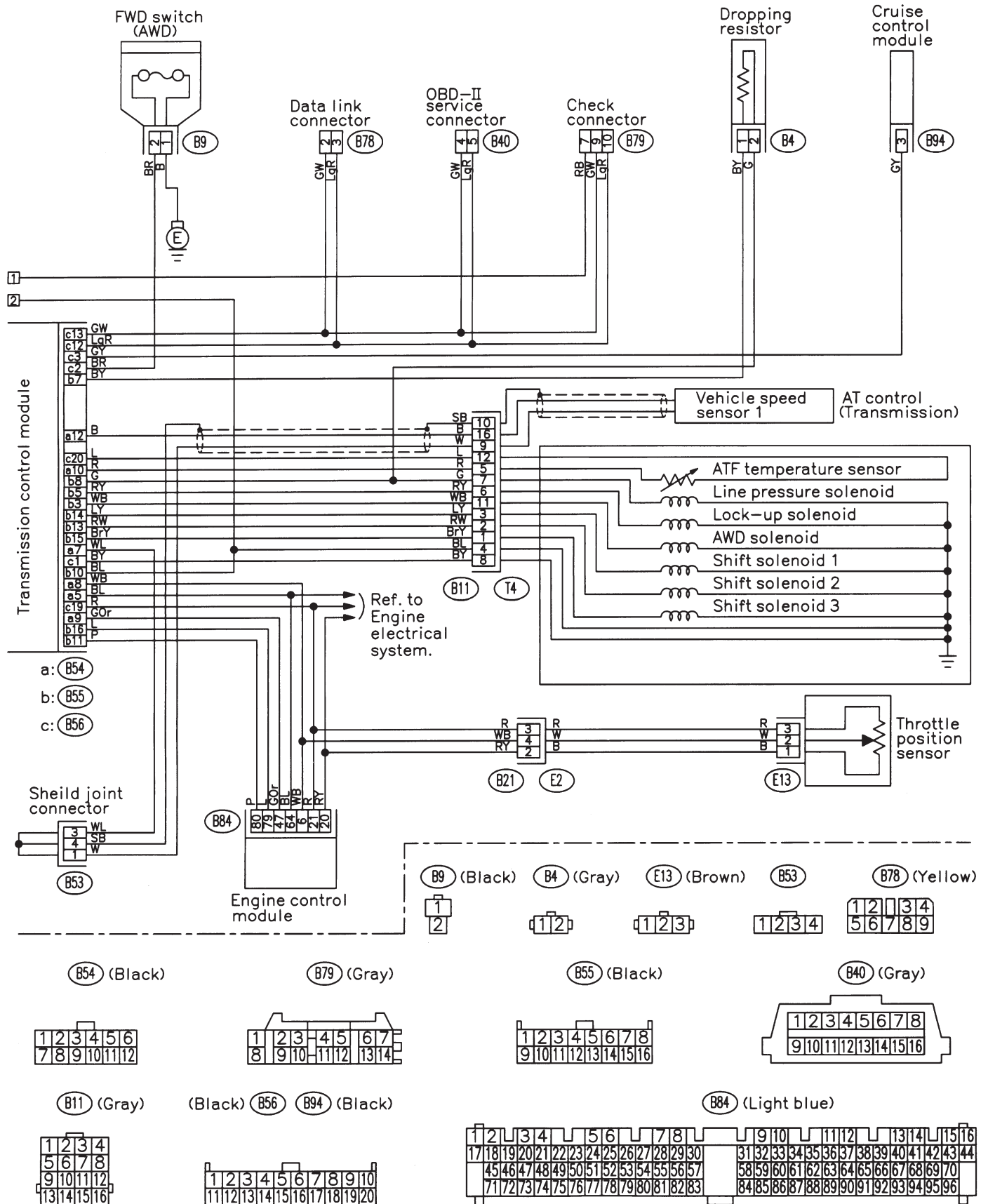
(i10) (Light gray)

(F45) (i4) (Blue)

(i2)

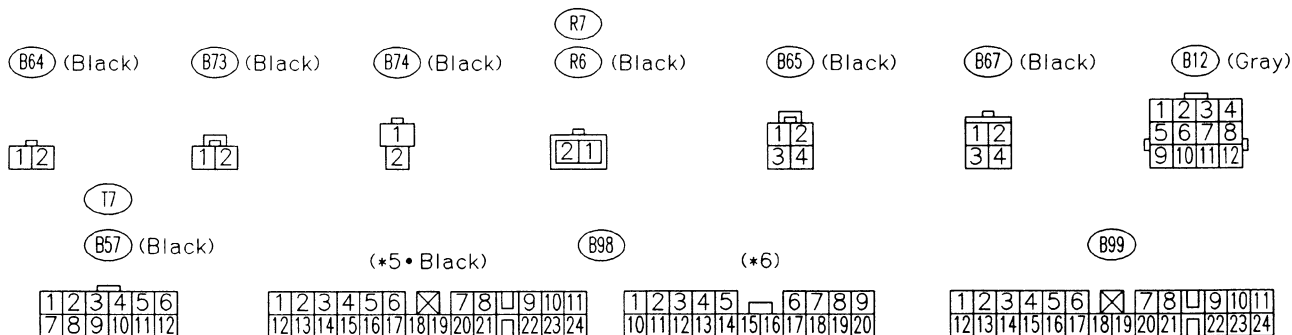
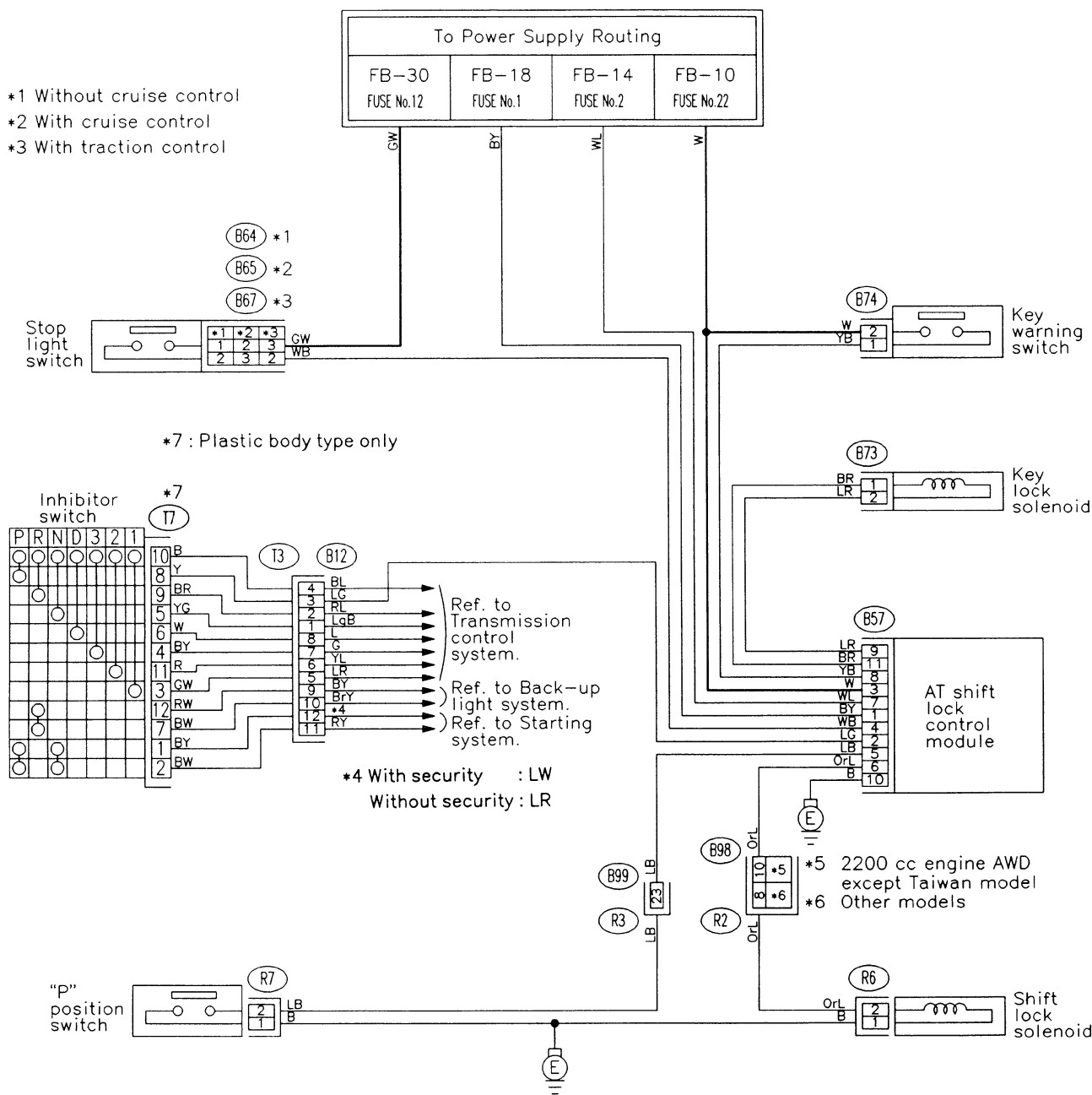


6. Wiring Diagram



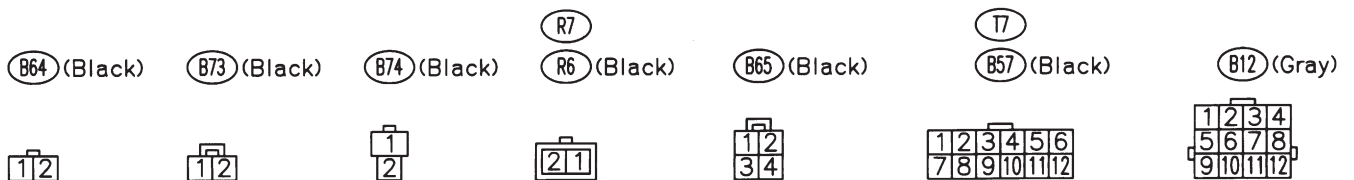
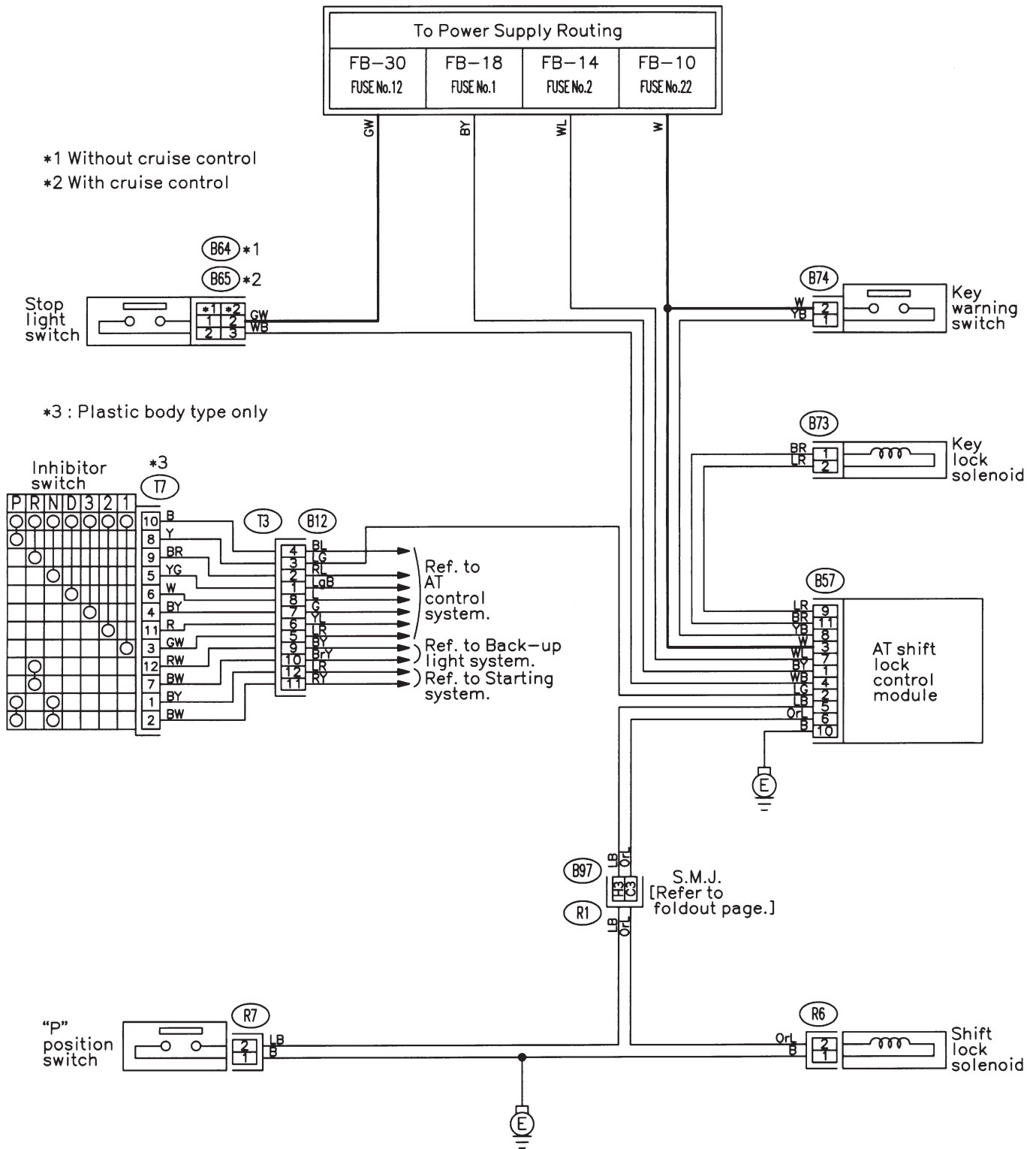
6. AT SHIFT LOCK SYSTEM

● LHD model



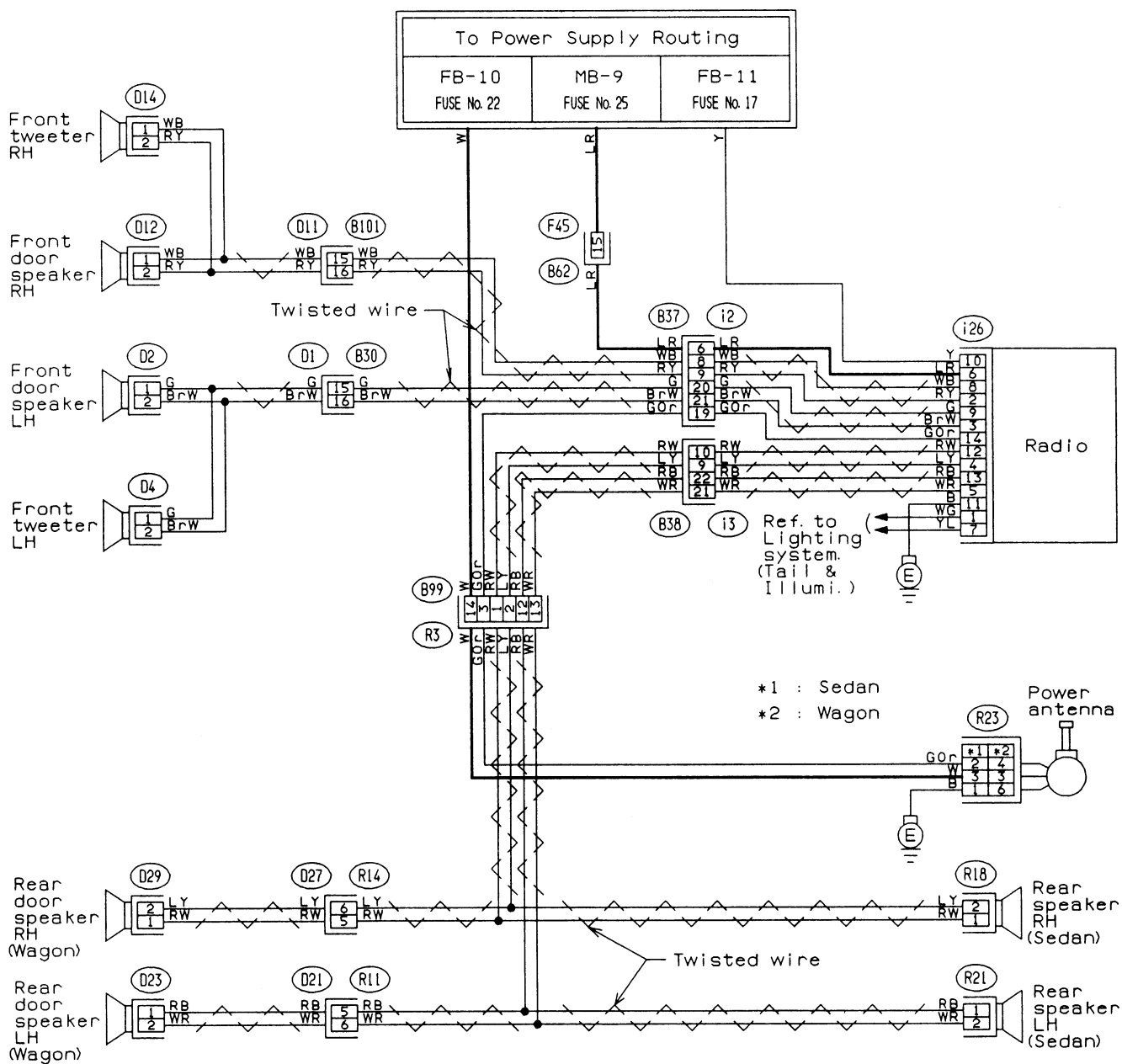
6. AT SHIFT LOCK SYSTEM

● RHD model

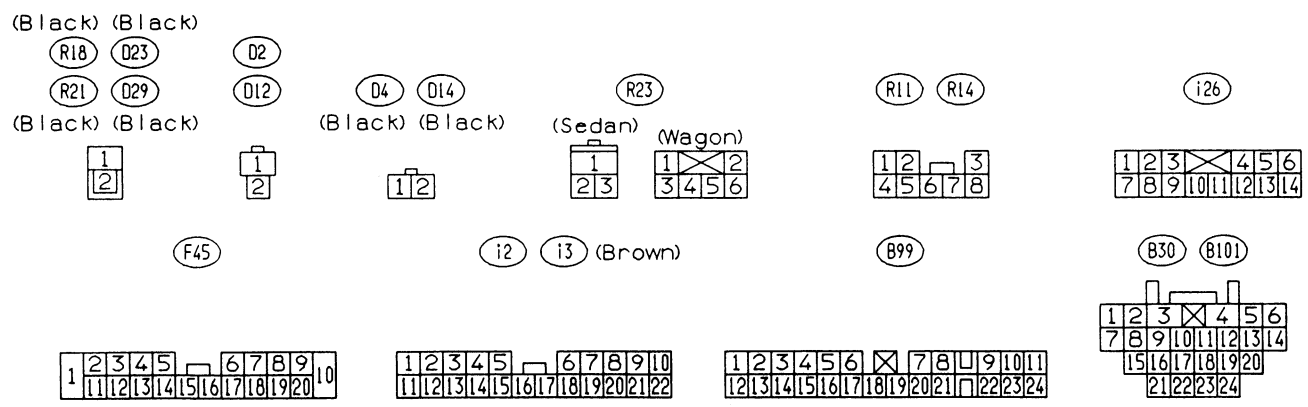


7. AUDIO SYSTEM

● LHD model

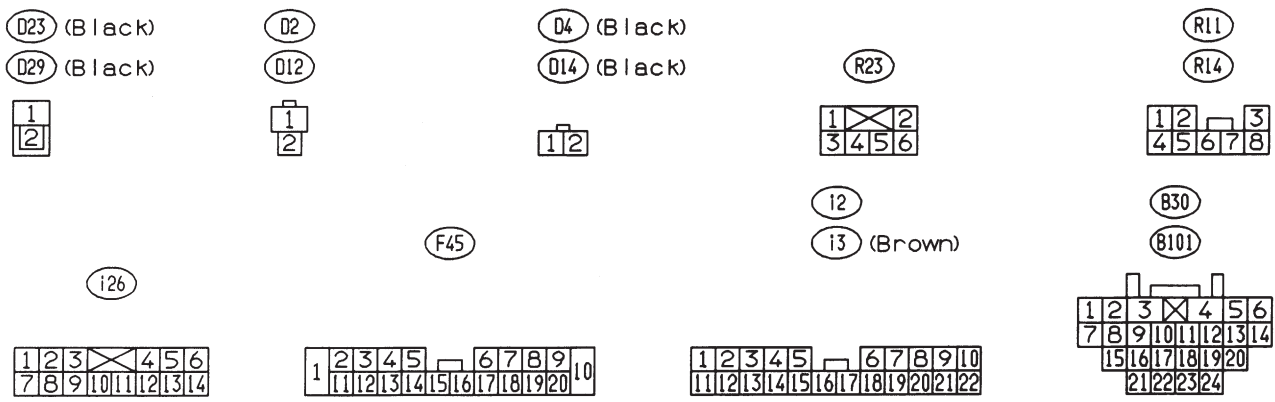
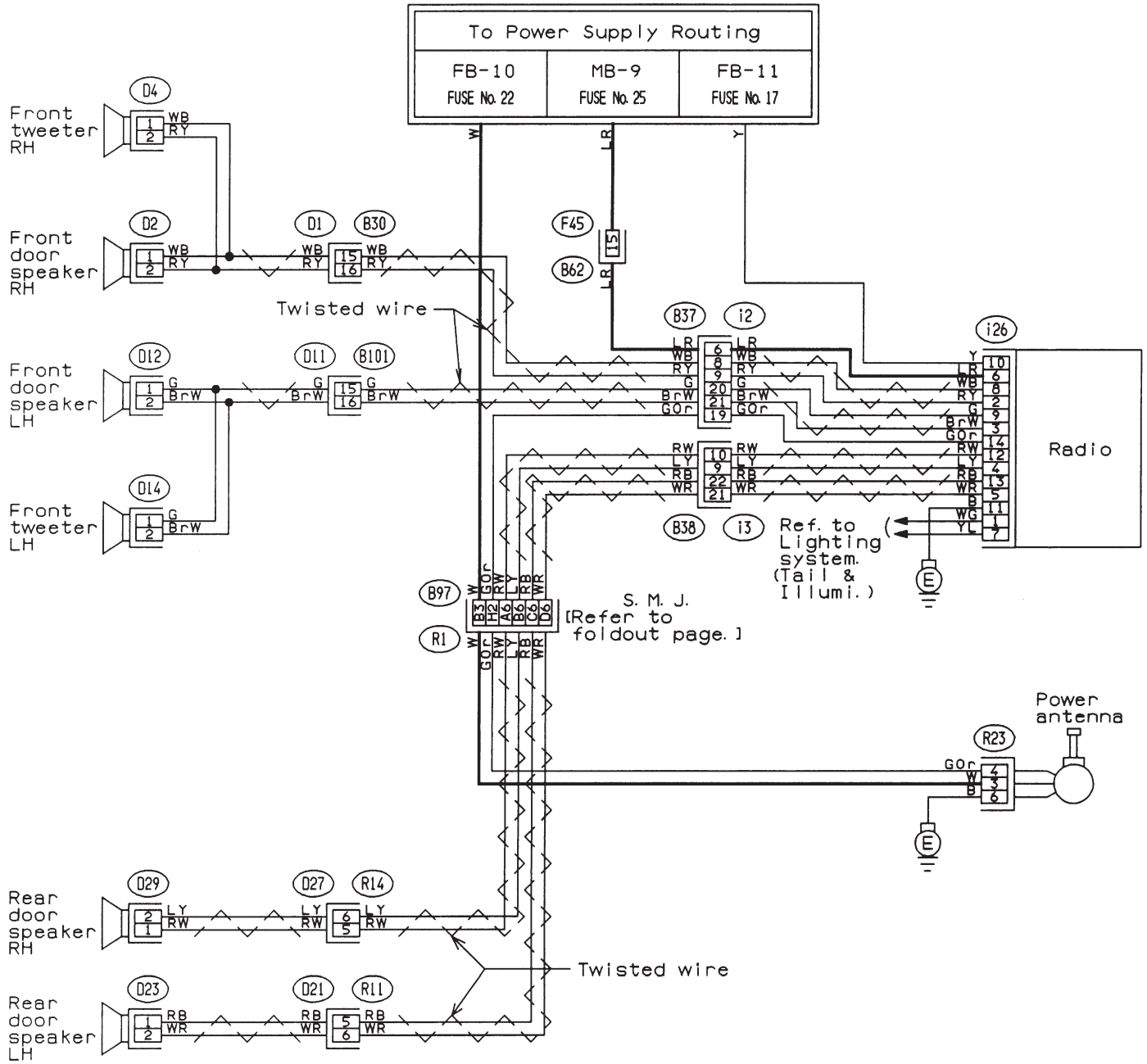


*1 : Sedan
*2 : Wagon



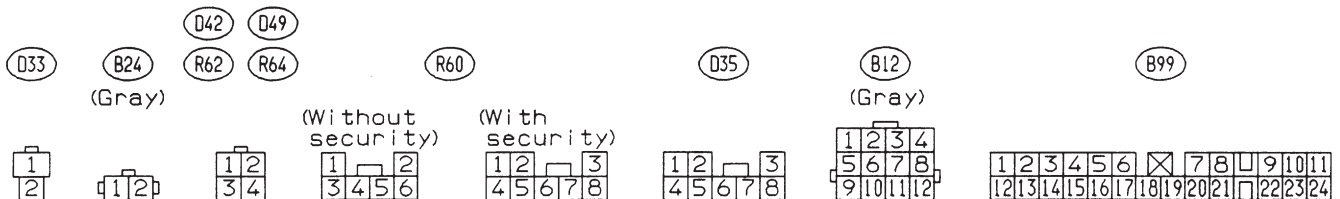
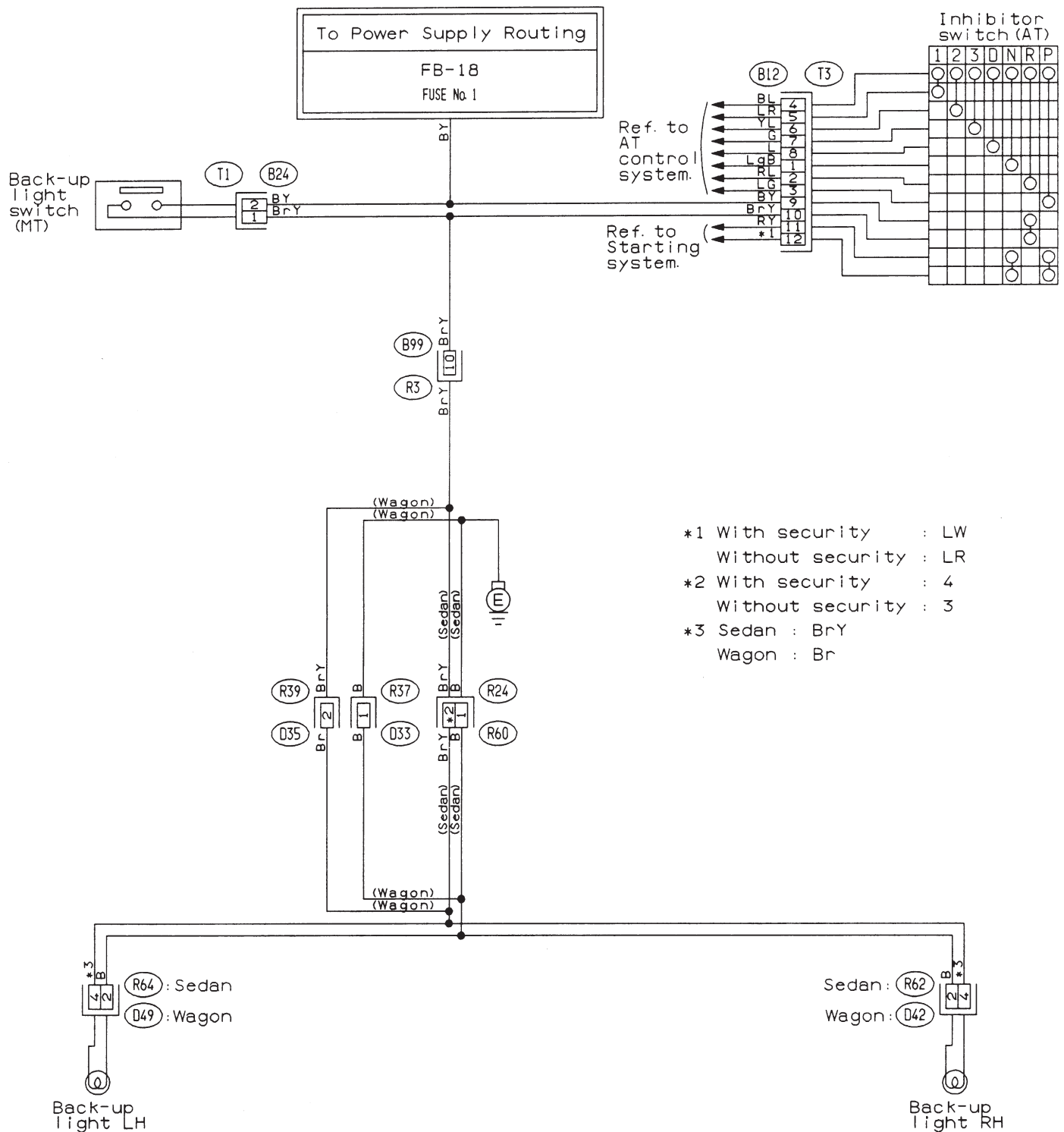
7. AUDIO SYSTEM

● RHD model



8. BACK-UP LIGHT SYSTEM

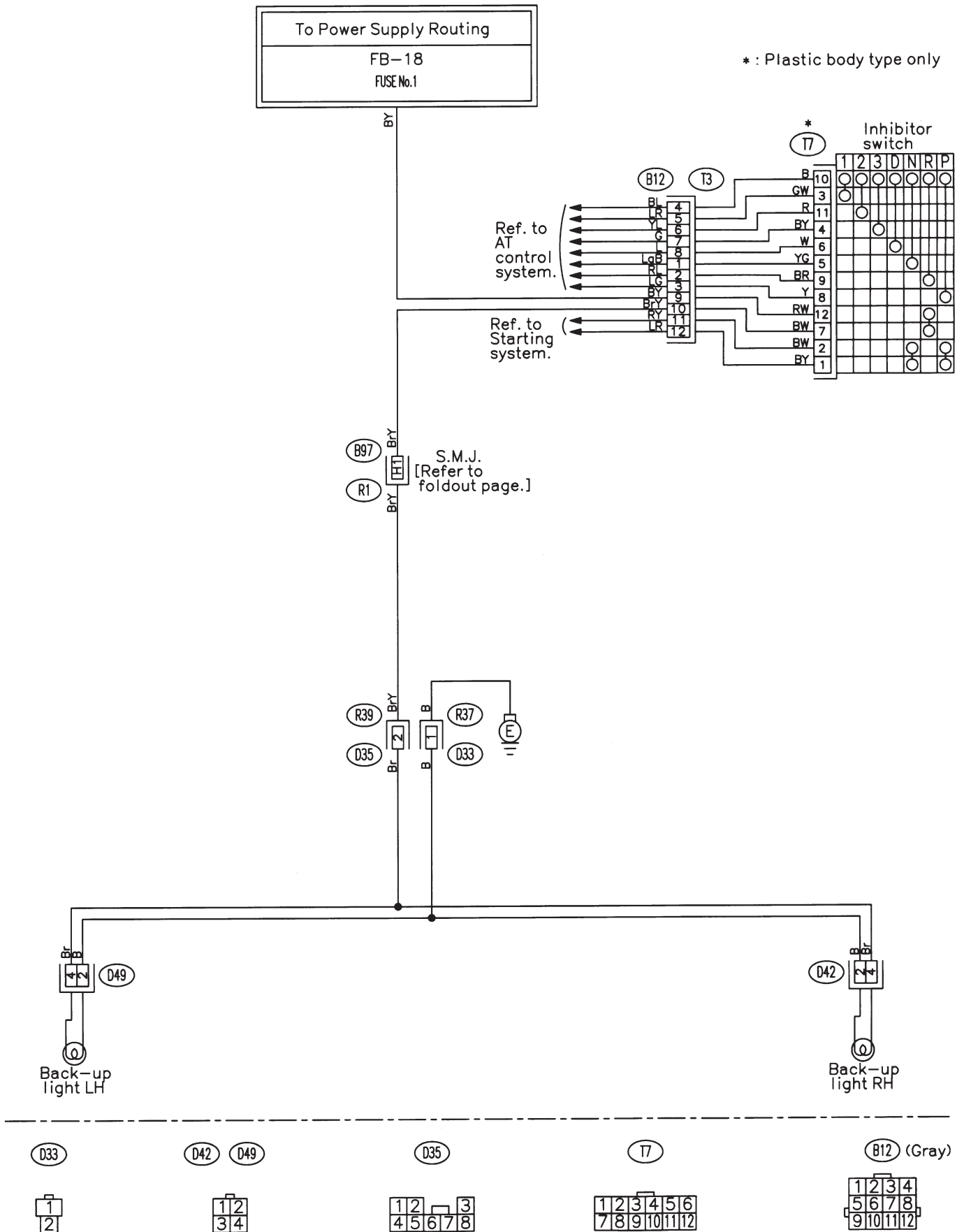
● LHD model



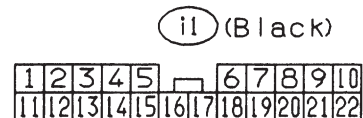
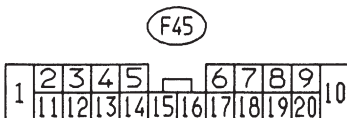
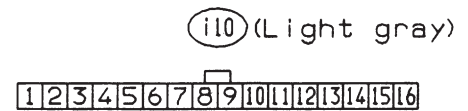
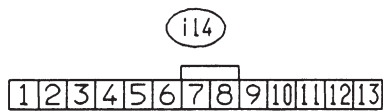
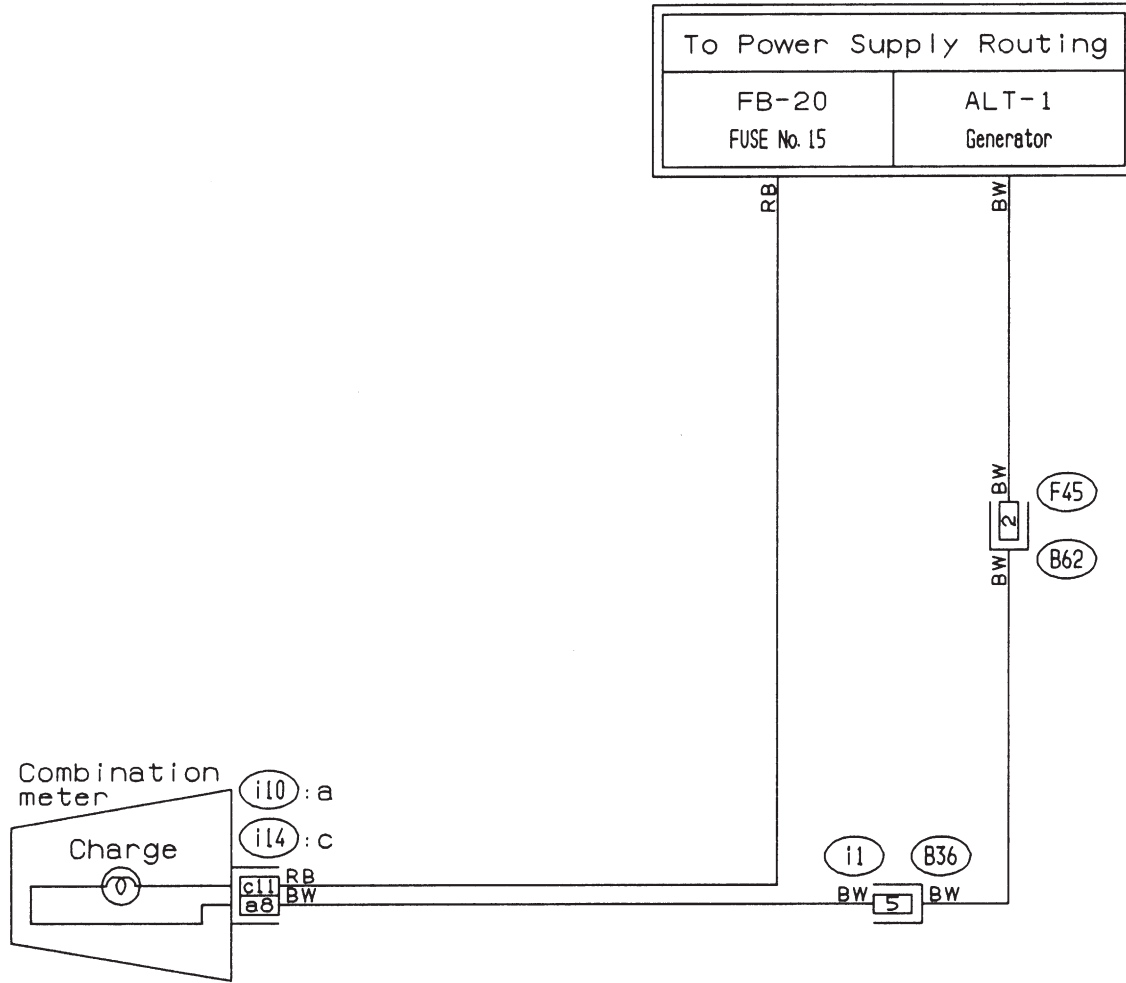
8. BACK-UP LIGHT SYSTEM

● RHD model

* : Plastic body type only

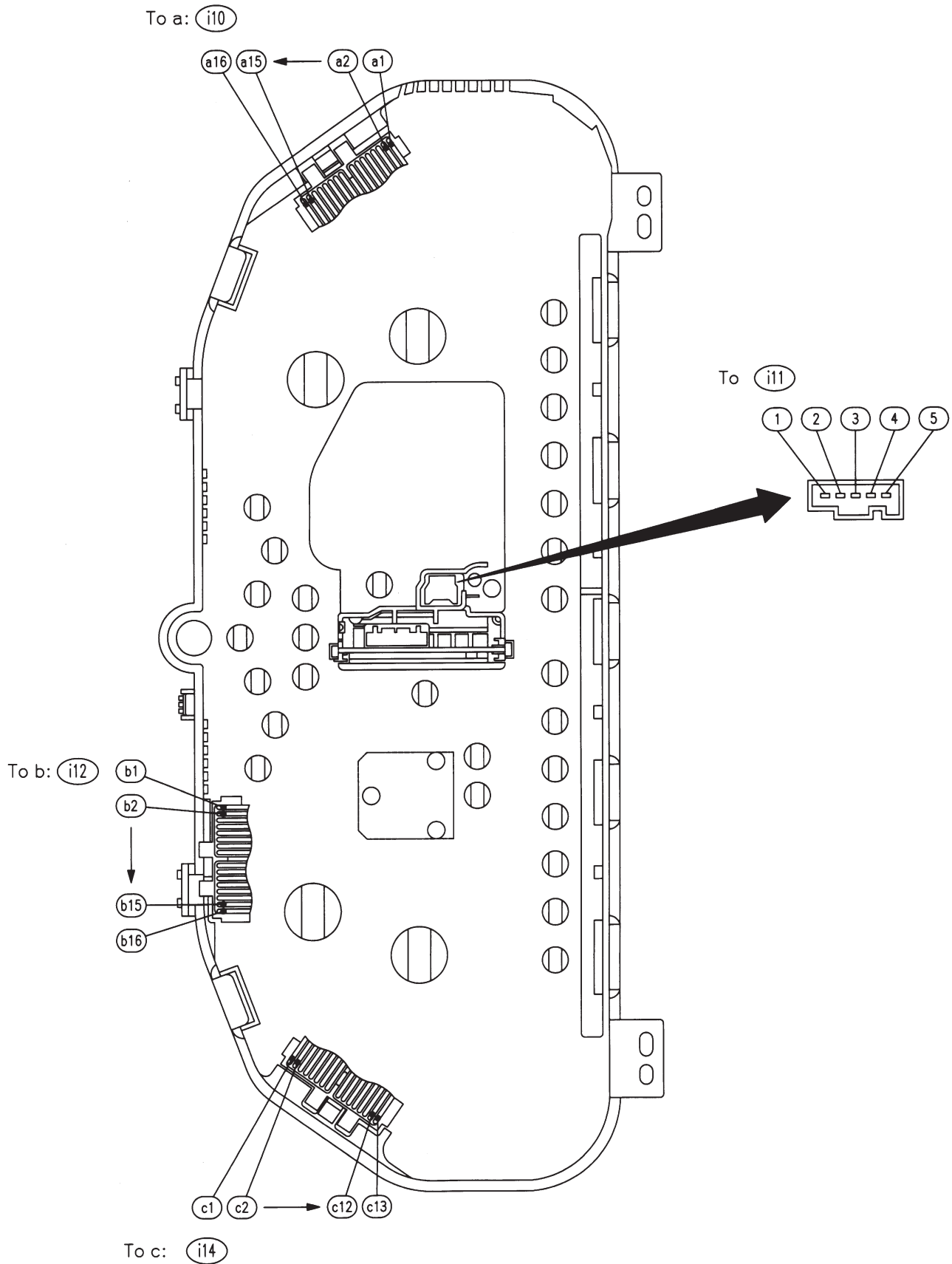


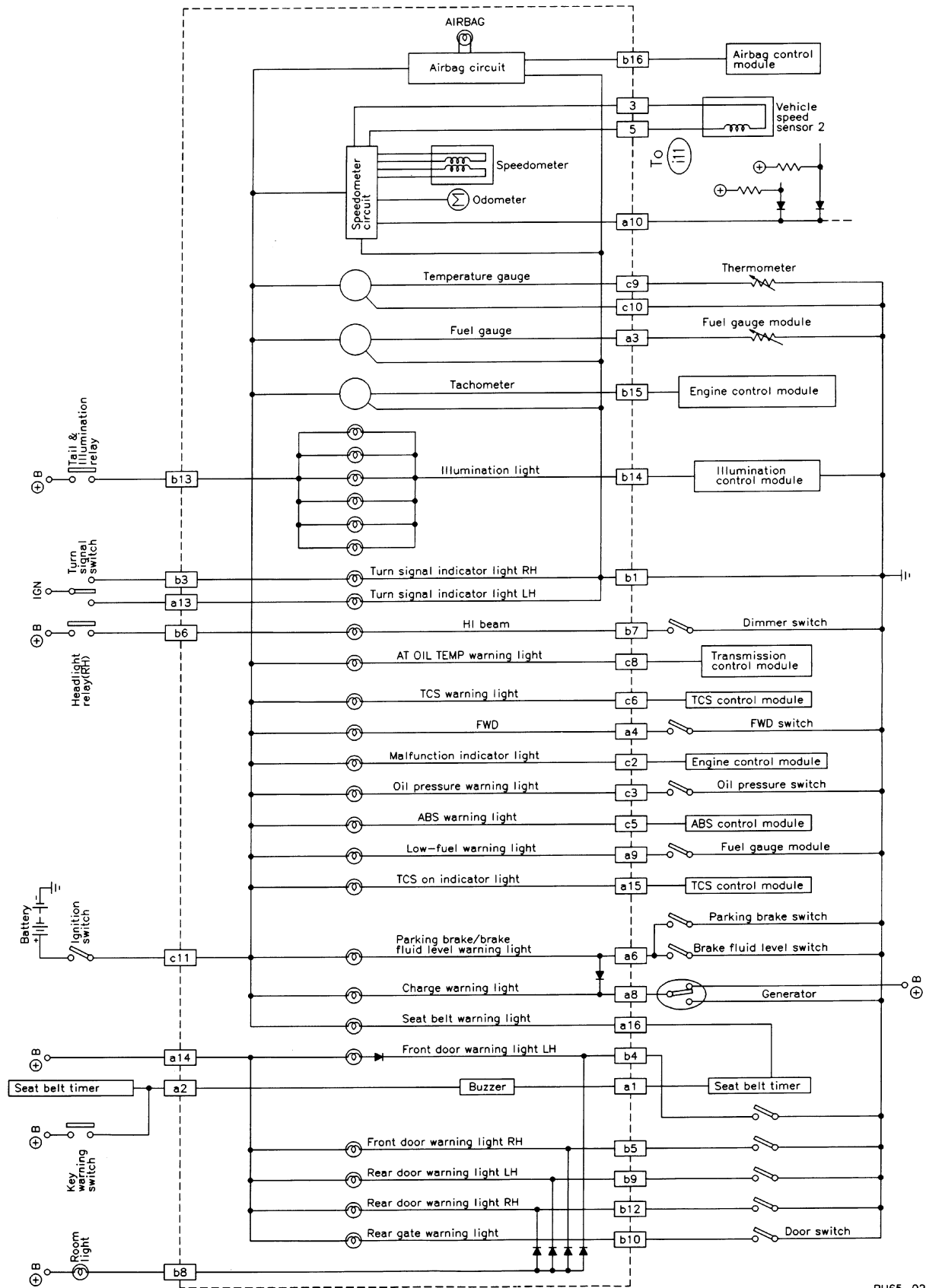
9. CHARGE WARNING SYSTEM



BU02-01

10. COMBINATION METER

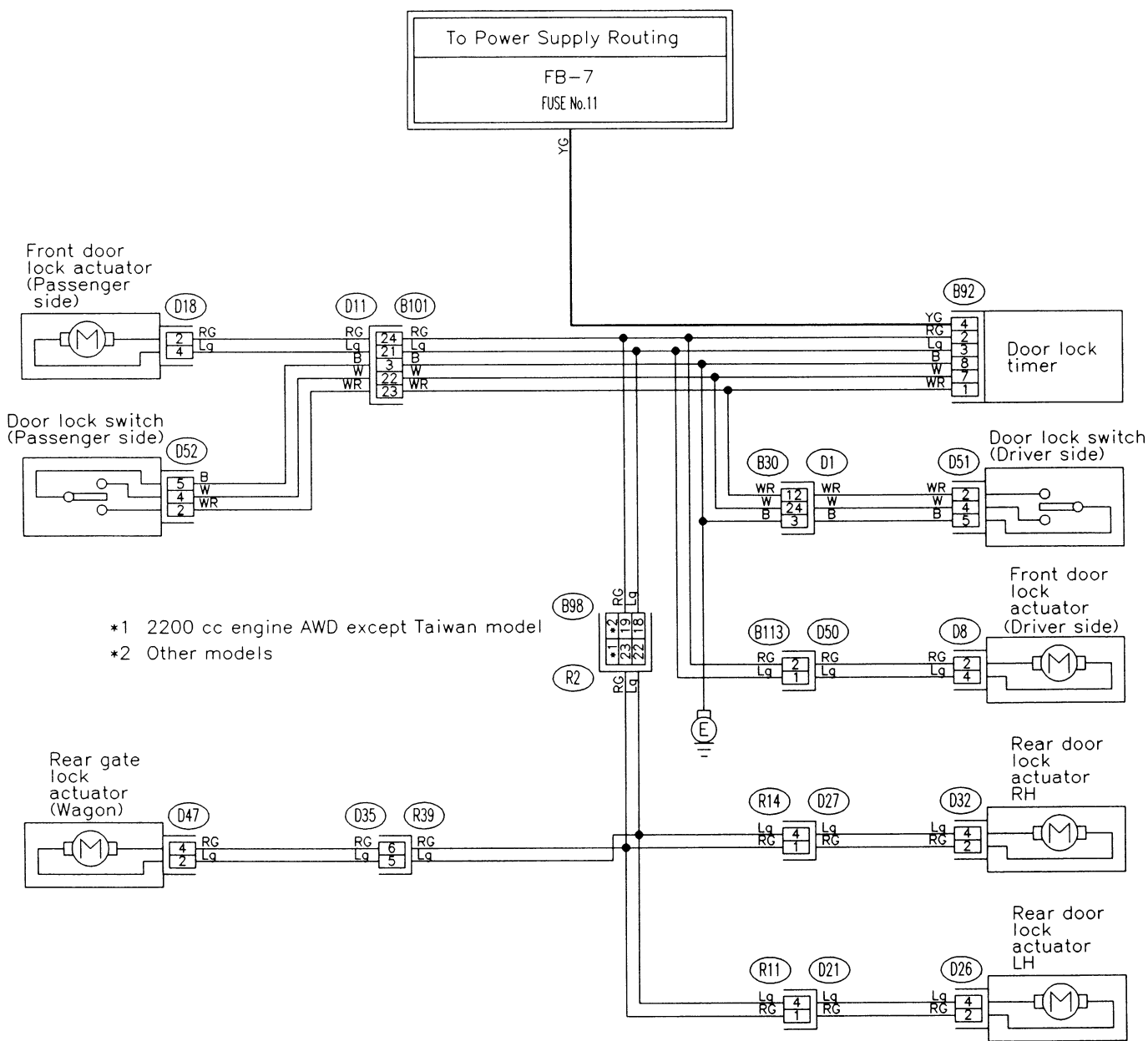




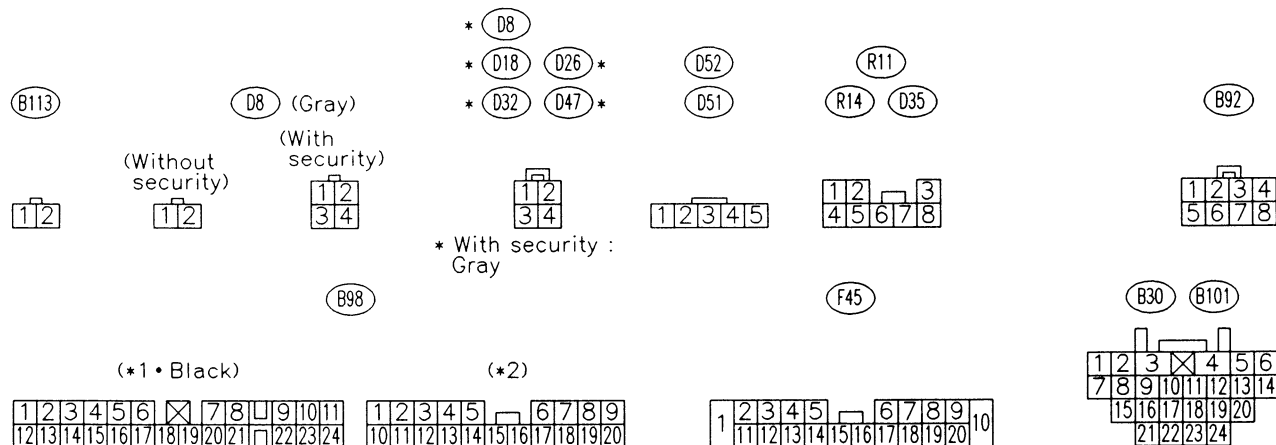
BU65-02B

12. DOOR LOCK SYSTEM

● LHD model

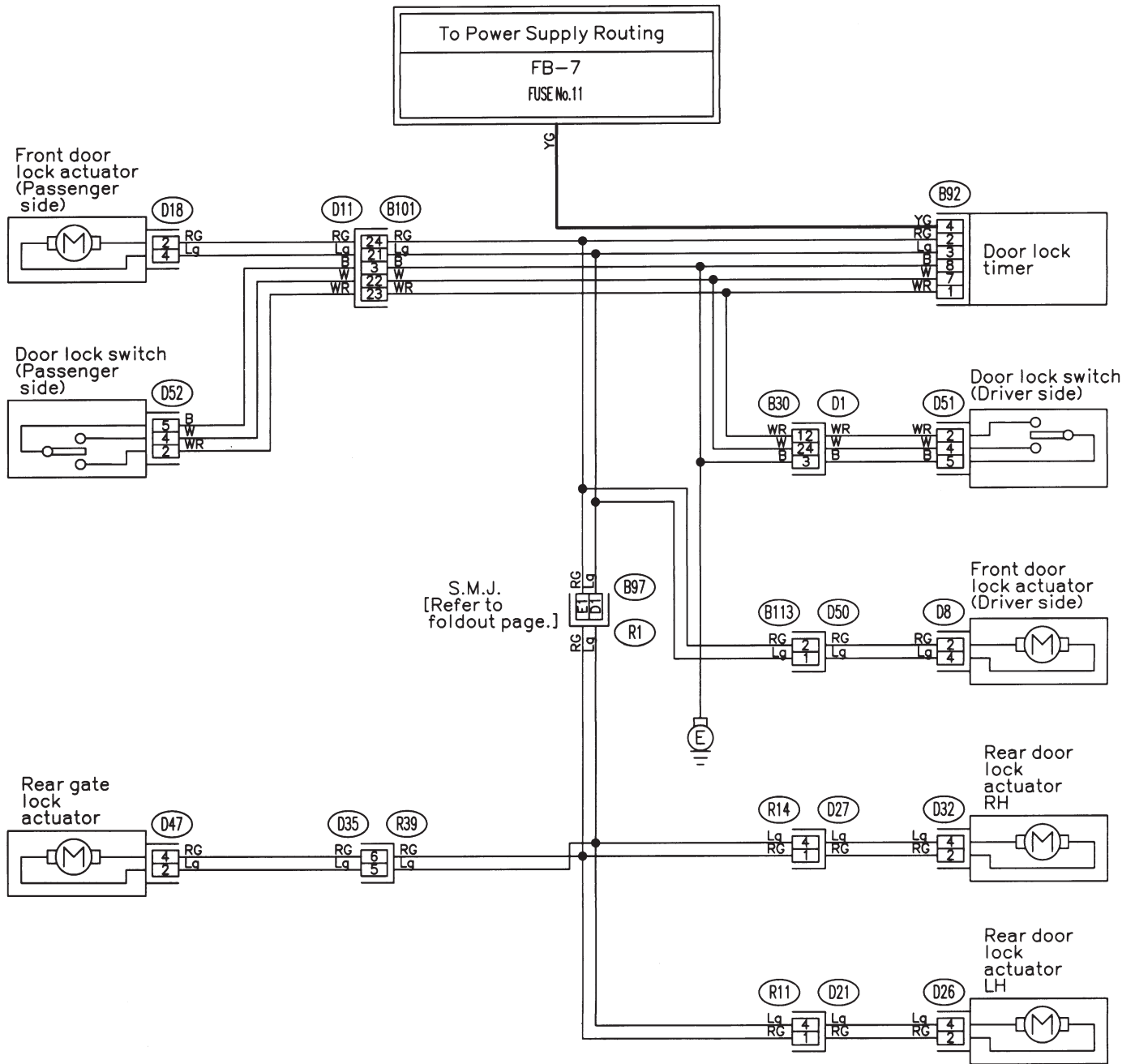


- *1 2200 cc engine AWD except Taiwan model
- *2 Other models

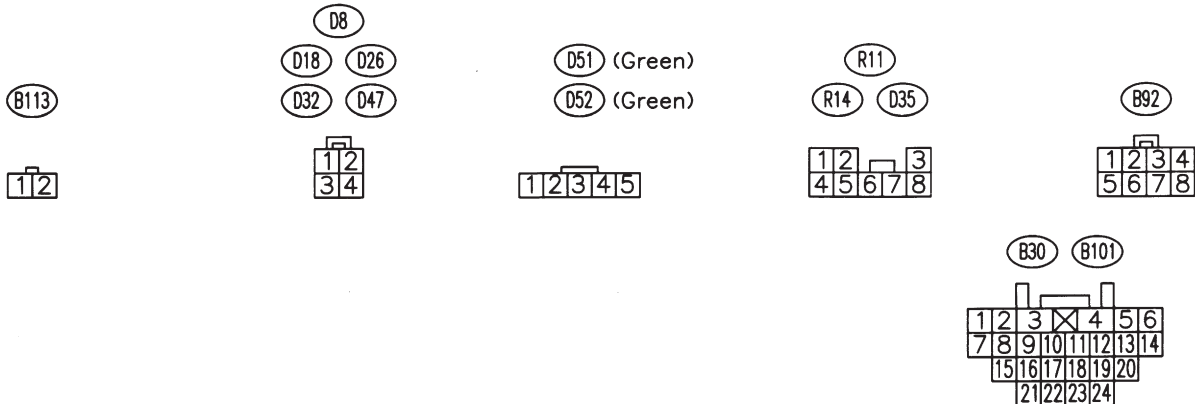


12. DOOR LOCK SYSTEM

● RHD model

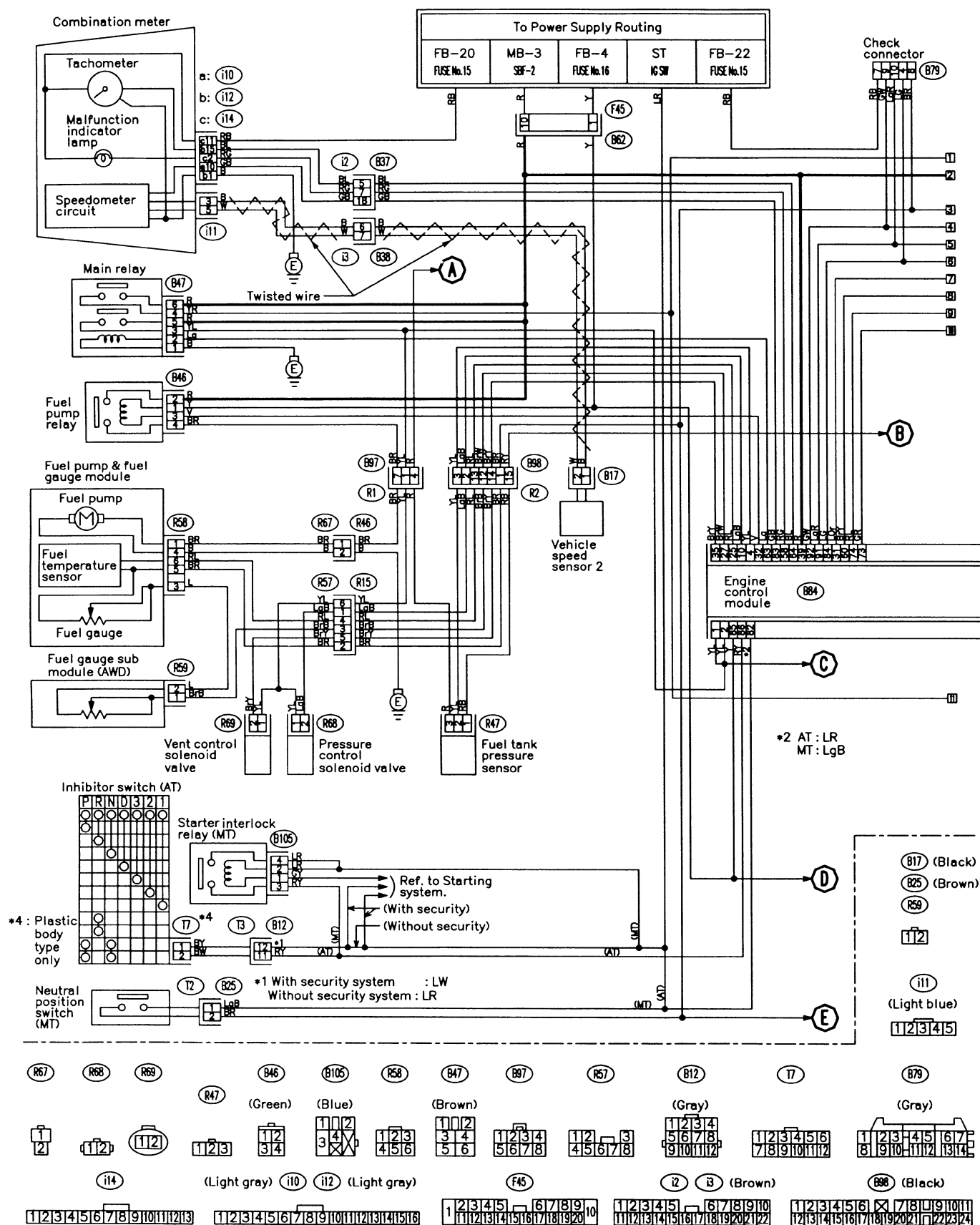


S.M.J.
[Refer to
foldout page.]

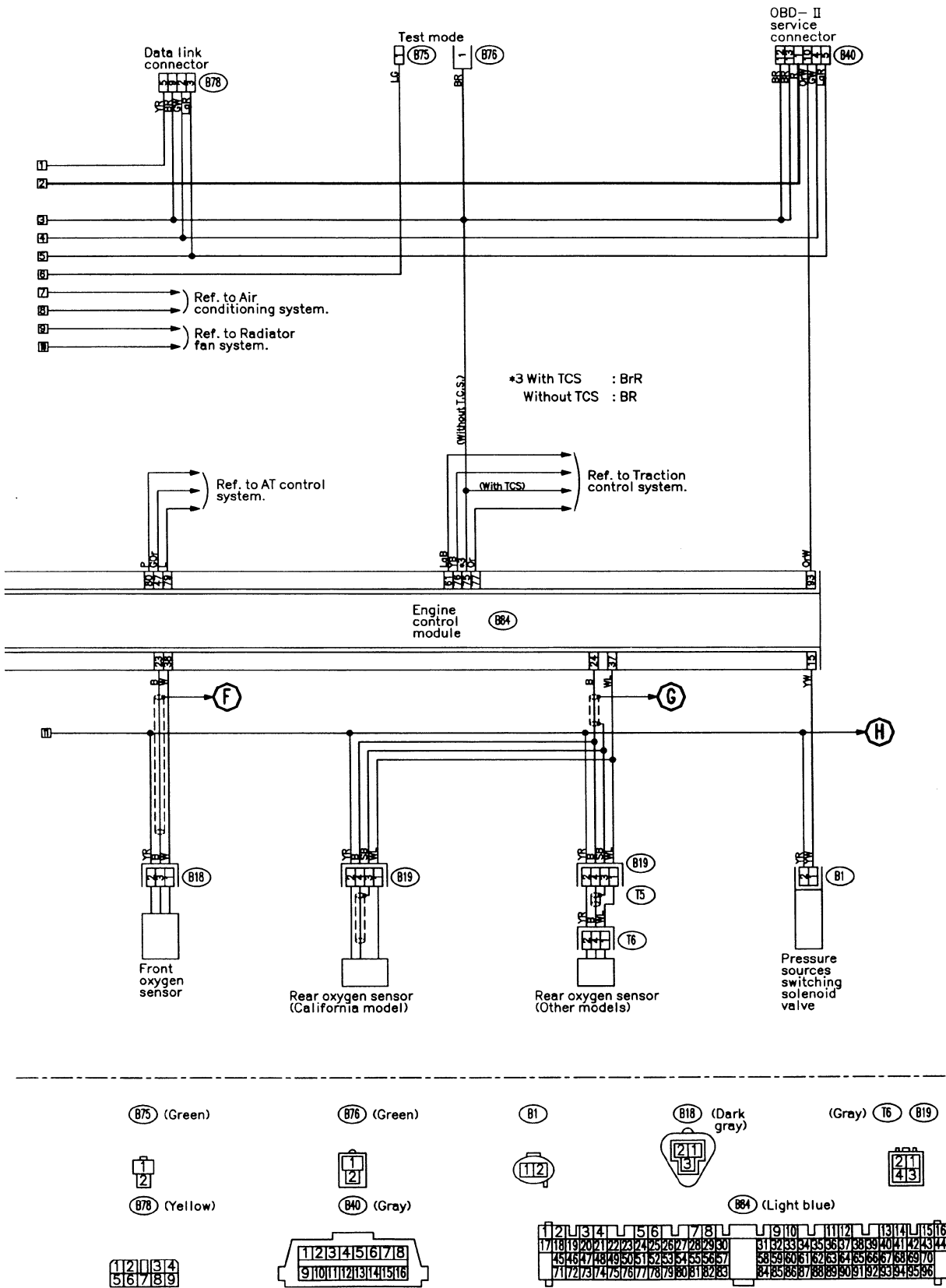


13. ENGINE ELECTRICAL SYSTEM

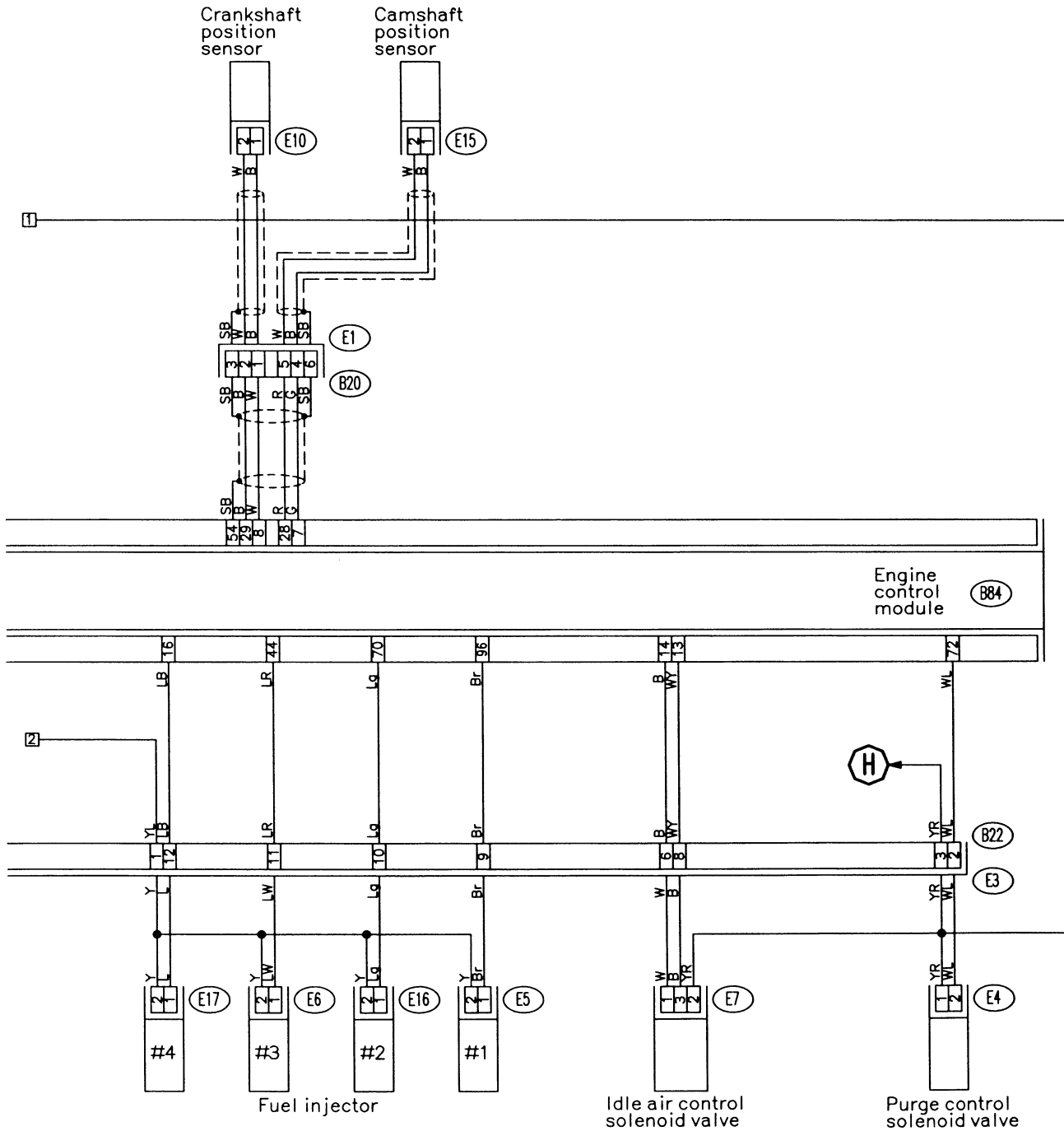
● LHD 2200 cc engine AWD model



6. Wiring Diagram



6. Wiring Diagram



- (E15) (Dark gray) (Light gray) (E5) (E16) (Light gray)
- (E10) (Gray) (Dark gray) (E6) (E17) (Dark gray)



- (B84) (Light blue)

- (E4) (Blue)

- (E7) (Gray)

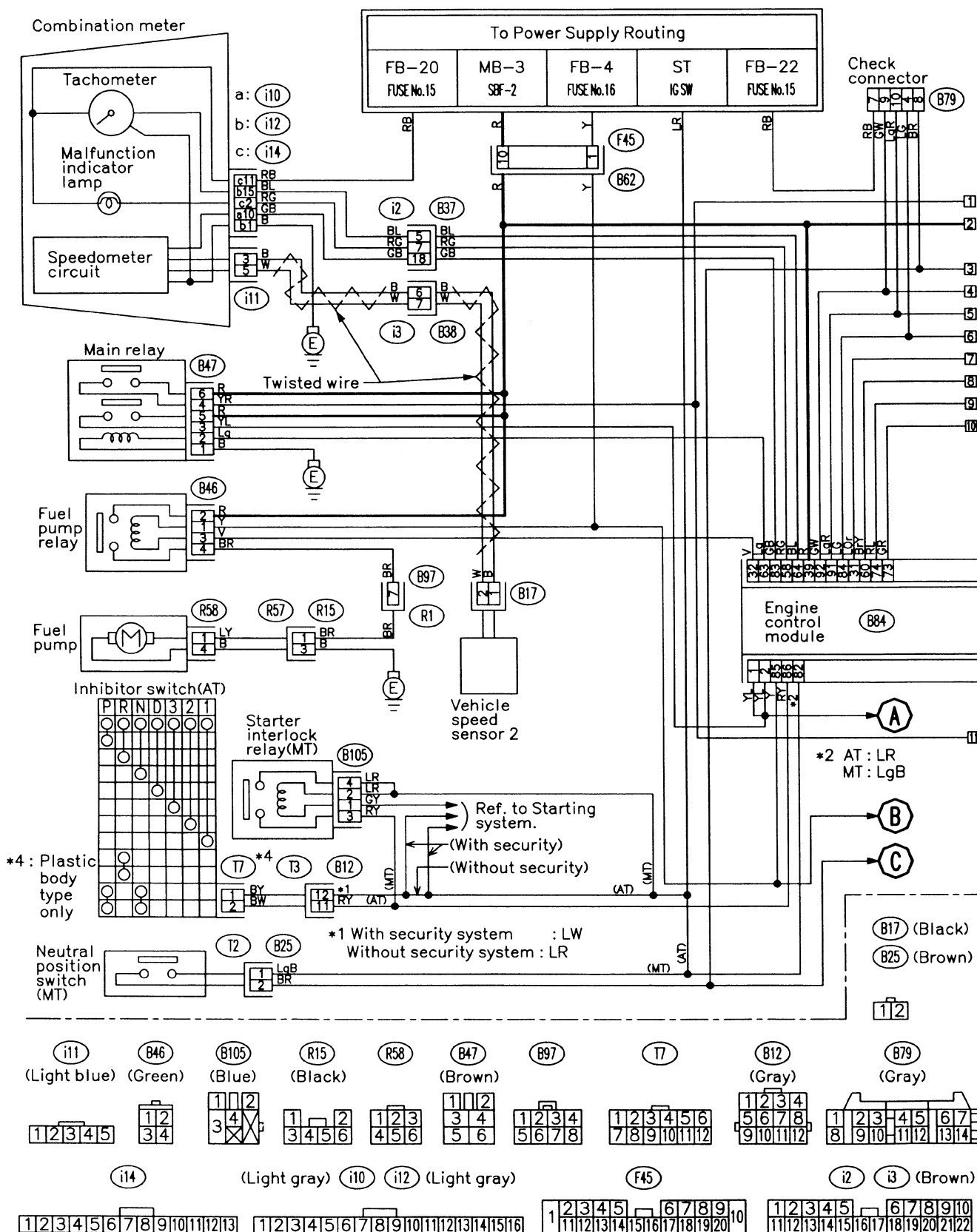
- (B20) (Light gray)



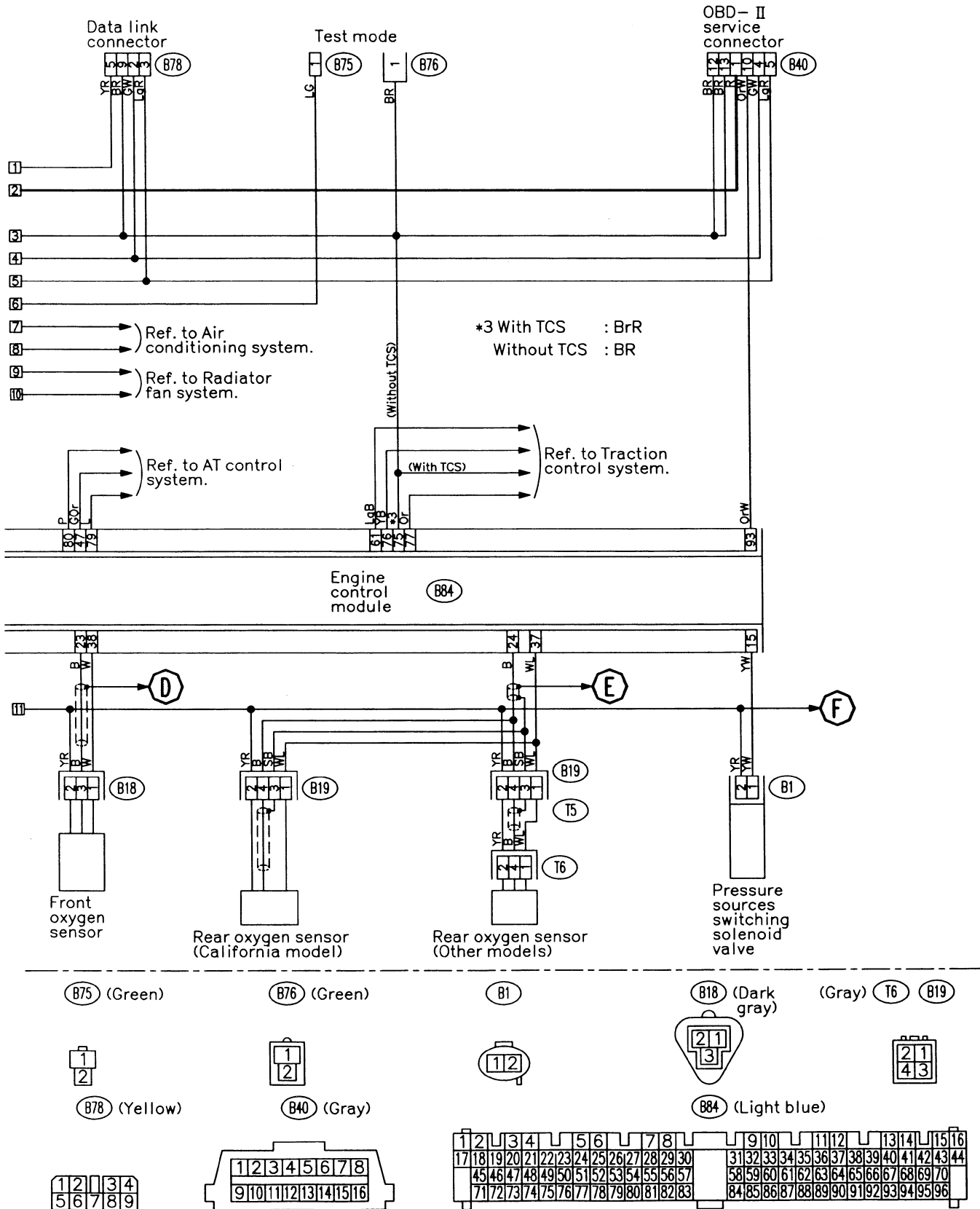
1	2	3	4	5	6	7	8	9	10	11	12	13	14	15	16																																				
17	18	19	20	21	22	23	24	25	26	27	28	29	30	31	32	33	34	35	36	37	38	39	40	41	42	43	44																								
45	46	47	48	49	50	51	52	53	54	55	56	57	58	59	60	61	62	63	64	65	66	67	68	69	70	71	72	73	74	75	76	77	78	79	80	81	82	83	84	85	86	87	88	89	90	91	92	93	94	95	96

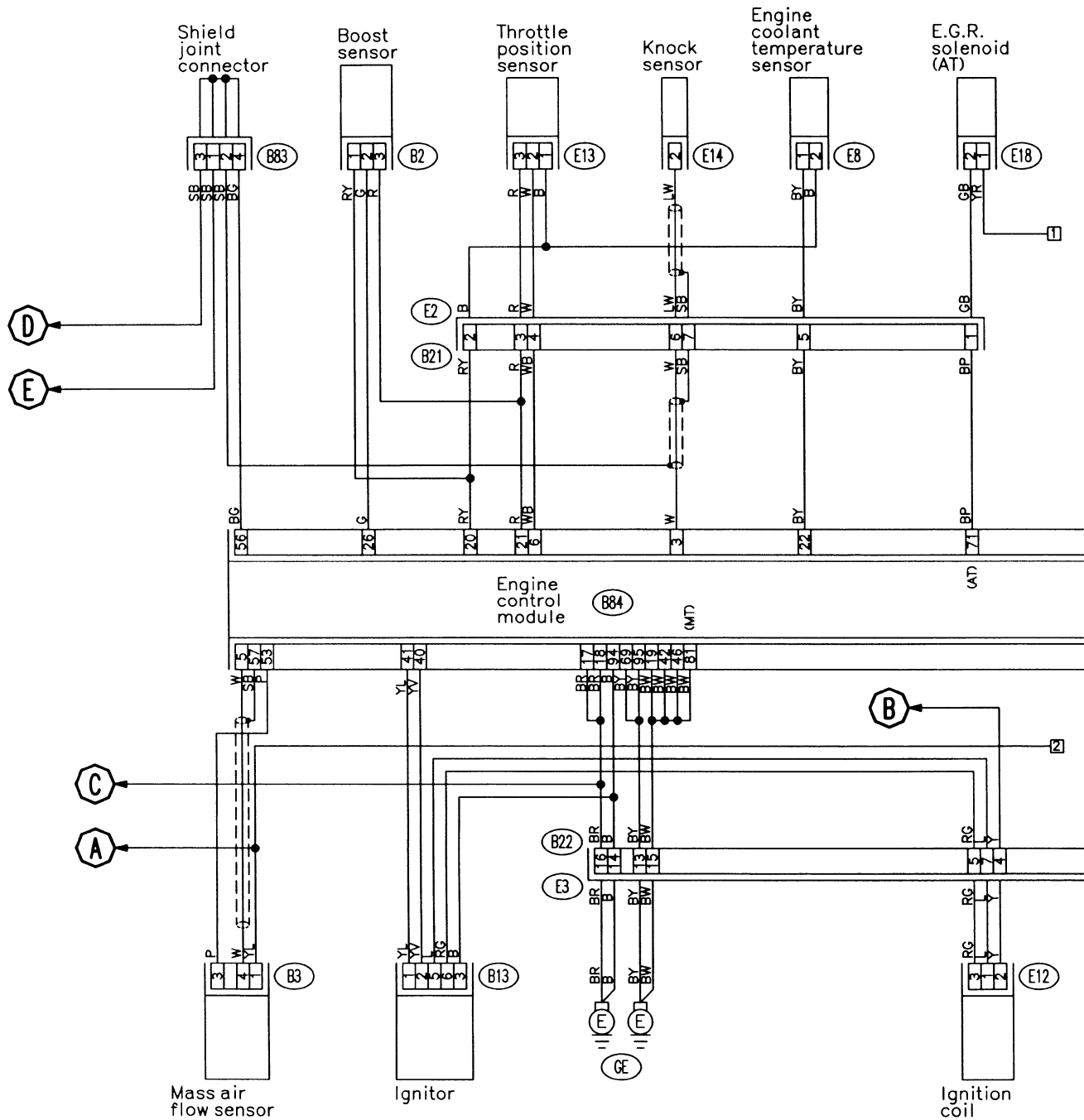
13. ENGINE ELECTRICAL SYSTEM

● LHD other models



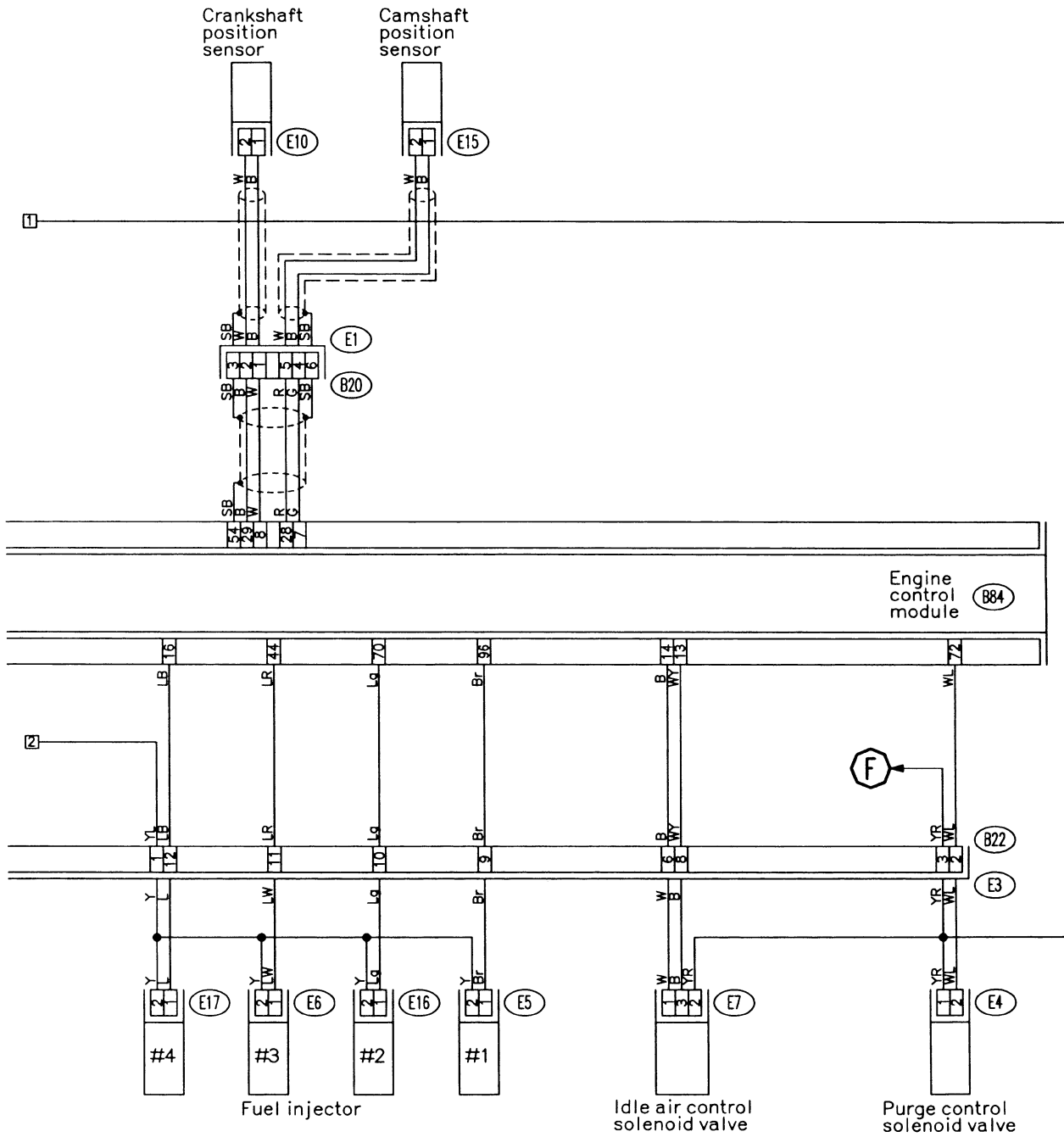
6. Wiring Diagram





- | | | | |
|--|---|--|--|
| <p>(Brown) E18 E8 (Brown) (Black) B2 E13 (Brown)</p> <p>E14 (Gray)</p> <p>B3 (Gray)</p> <p>B13 (Gray)</p> | <p>E12 (Gray)</p> <p>B21 (Light gray)</p> | <p>B83</p> <p>B22 (Light gray)</p> | <p>E18 E8 (Brown) (Black) B2 E13 (Brown)</p> <p>E12 (Gray)</p> <p>B83</p> <p>B22 (Light gray)</p> |
| <p></p> <p></p> | <p></p> <p></p> | <p></p> <p></p> | <p></p> <p></p> |

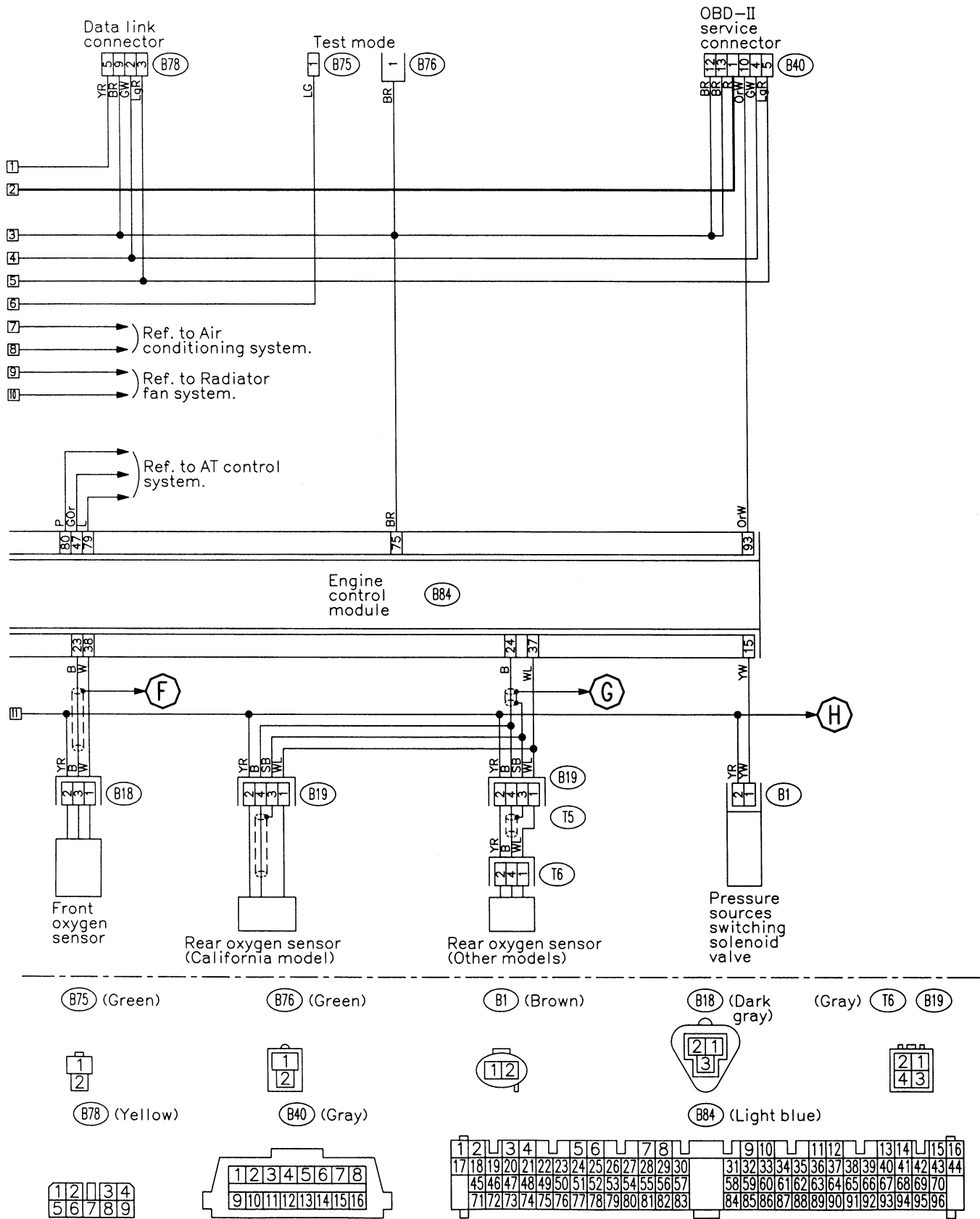
6. Wiring Diagram



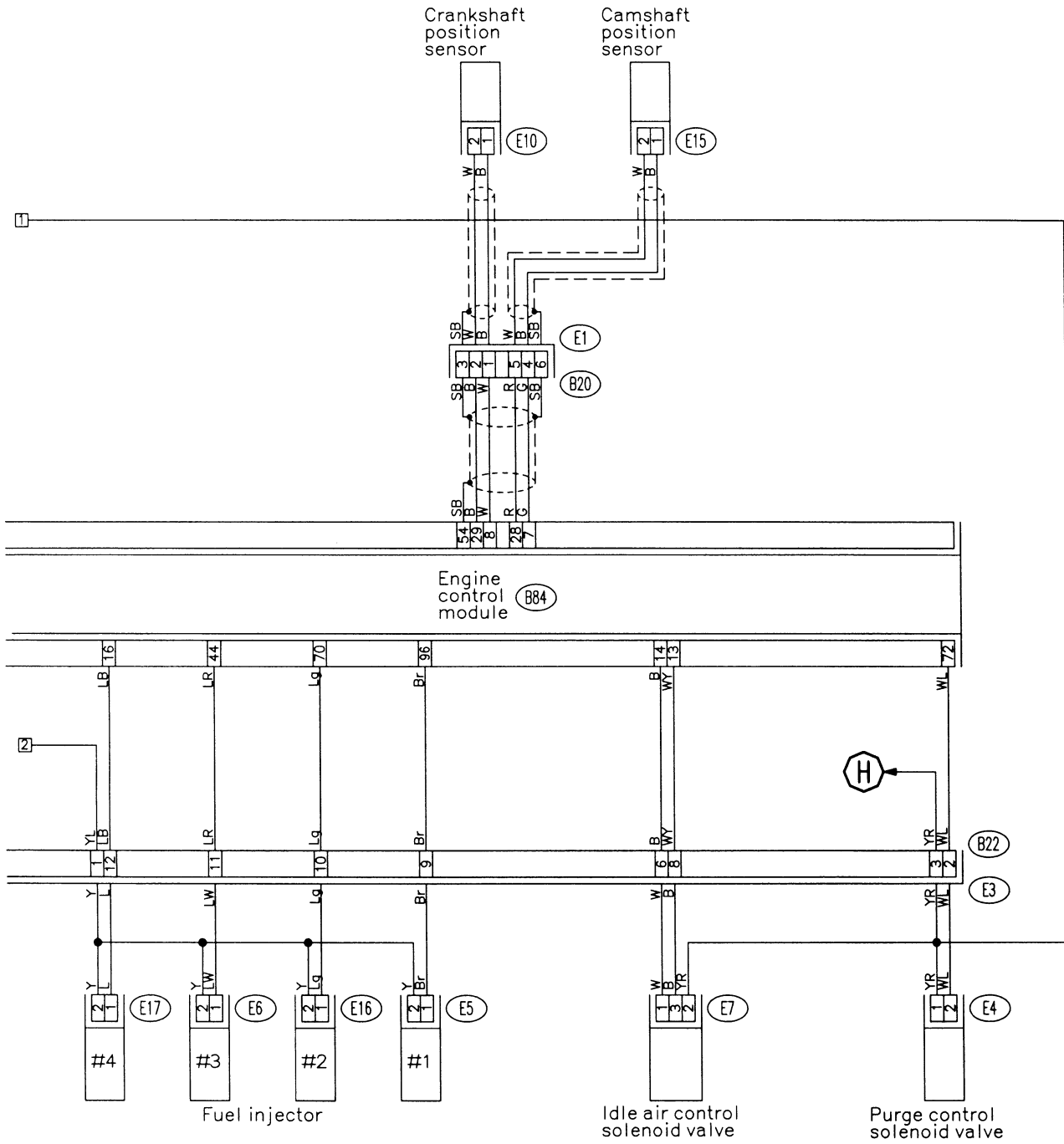
- (E15) (Dark gray)
- (E10) (Gray)
- (E5) (Light gray)
- (E6) (Dark gray)
- (E16) (Light gray)
- (E17) (Dark gray)
- (E4) (Blue)
- (E7) (Gray)
- (B20) (Light gray)
- (B84) (Light blue)

1	2	3	4	5	6	7	8	9	10	11	12	13	14	15	16
17	18	19	20	21	22	23	24	25	26	27	28	29	30	31	32
33	34	35	36	37	38	39	40	41	42	43	44	45	46	47	48
49	50	51	52	53	54	55	56	57	58	59	60	61	62	63	64
65	66	67	68	69	70	71	72	73	74	75	76	77	78	79	80
81	82	83	84	85	86	87	88	89	90	91	92	93	94	95	96

6. Wiring Diagram



6. Wiring Diagram



- (E15) (Dark gray) (Light gray) (E5) (Light gray) (E16)
- (E10) (Gray) (Dark gray) (E6) (Dark gray) (E17)



(B84) (Light blue)

(E4) (Blue)

(E7) (Gray)

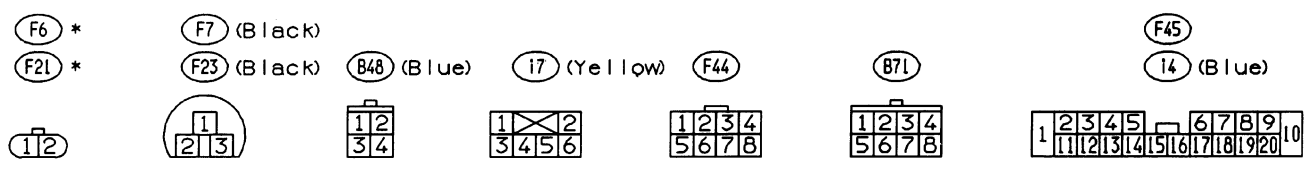
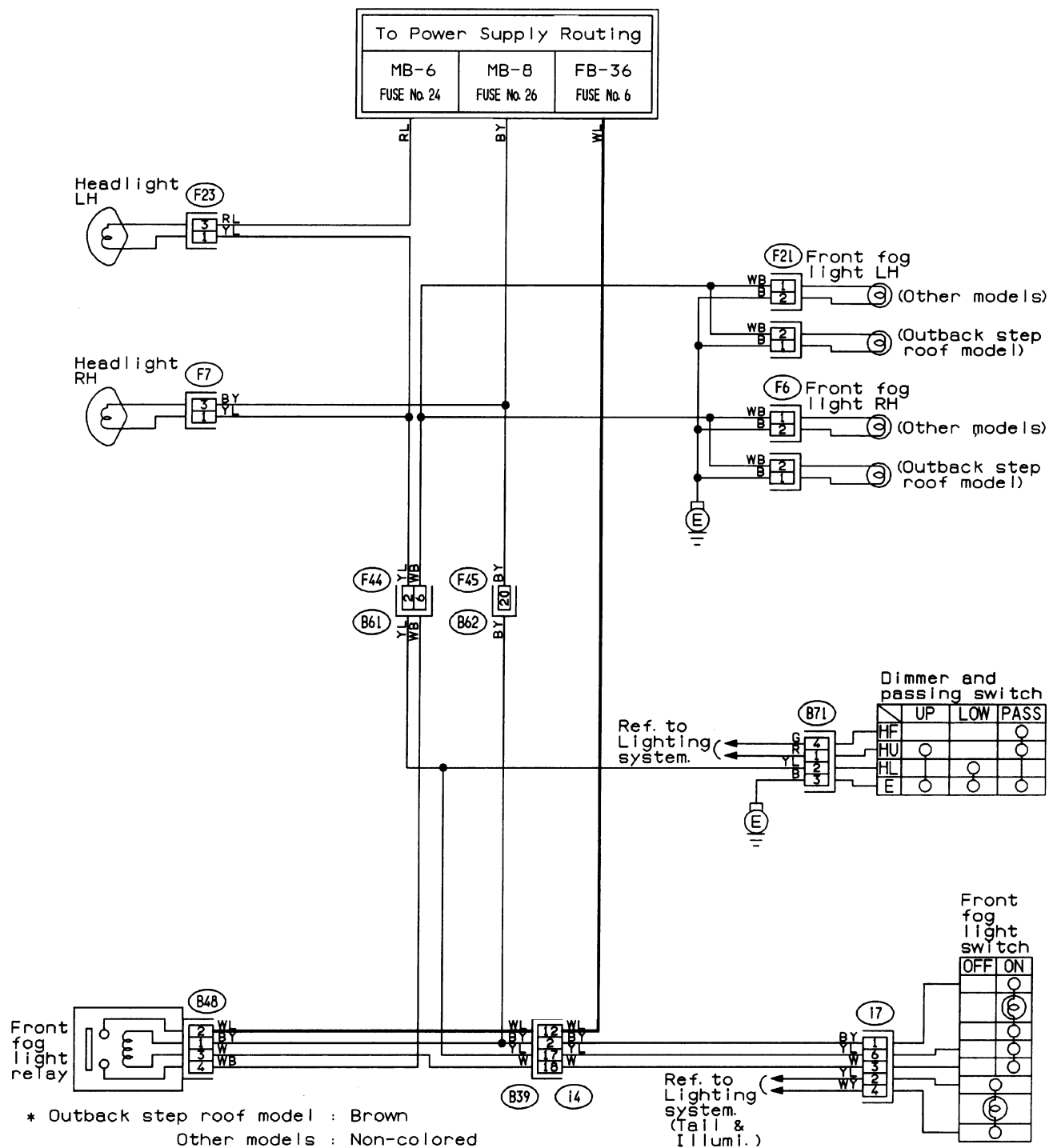
(B20) (Light gray)



1	2	3	4	5	6	7	8	9	10	11	12	13	14	15	16																																				
17	18	19	20	21	22	23	24	25	26	27	28	29	30	31	32	33	34	35	36	37	38	39	40	41	42	43	44																								
45	46	47	48	49	50	51	52	53	54	55	56	57	58	59	60	61	62	63	64	65	66	67	68	69	70	71	72	73	74	75	76	77	78	79	80	81	82	83	84	85	86	87	88	89	90	91	92	93	94	95	96

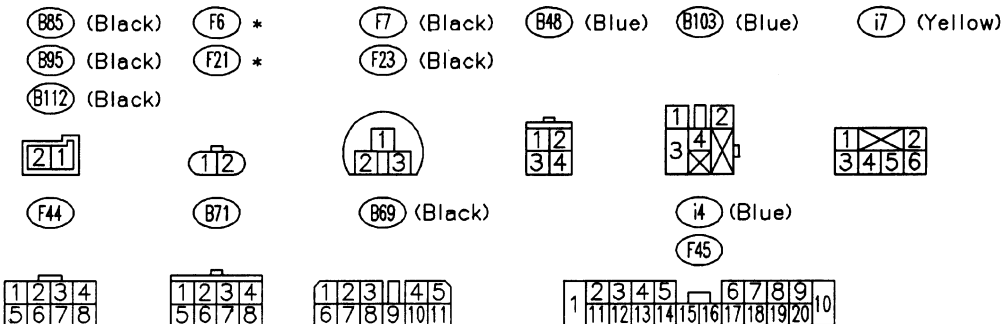
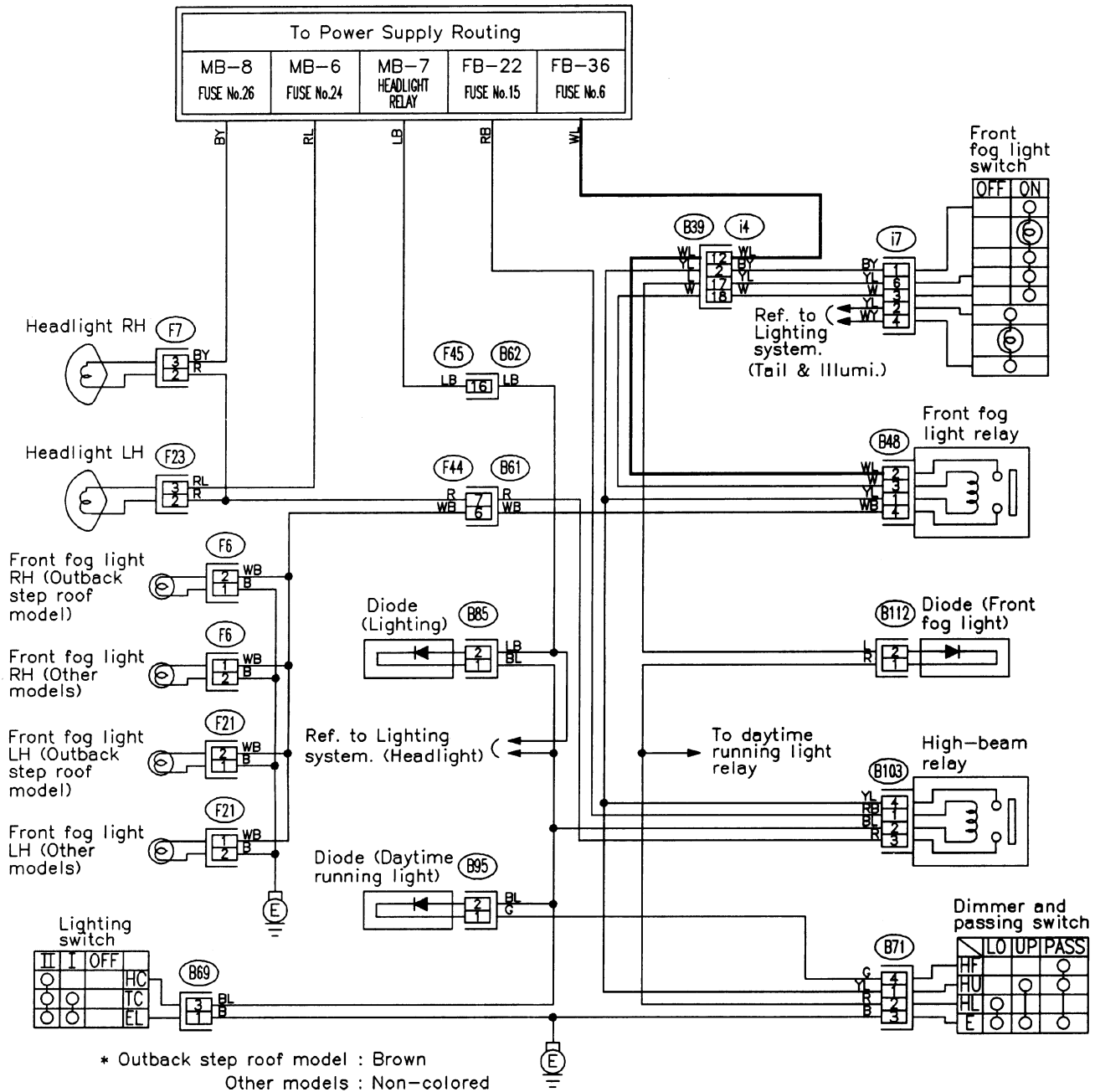
14. FRONT FOG LIGHT SYSTEM

● Without DRL model



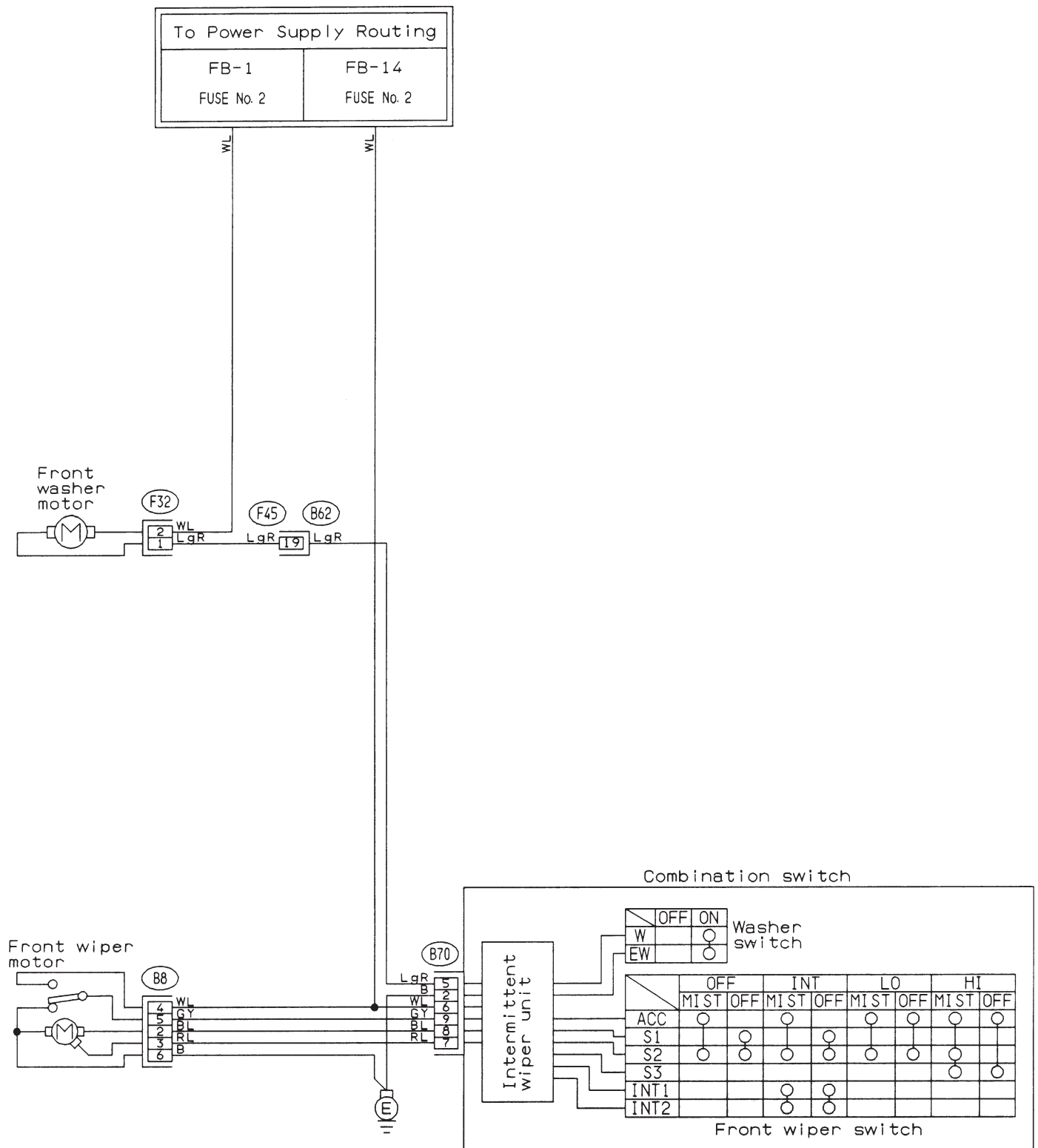
14. FRONT FOG LIGHT SYSTEM

● With DRL model



15. FRONT WIPER AND WASHER SYSTEM

● LHD model



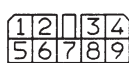
F32 (Green)



B8



B70

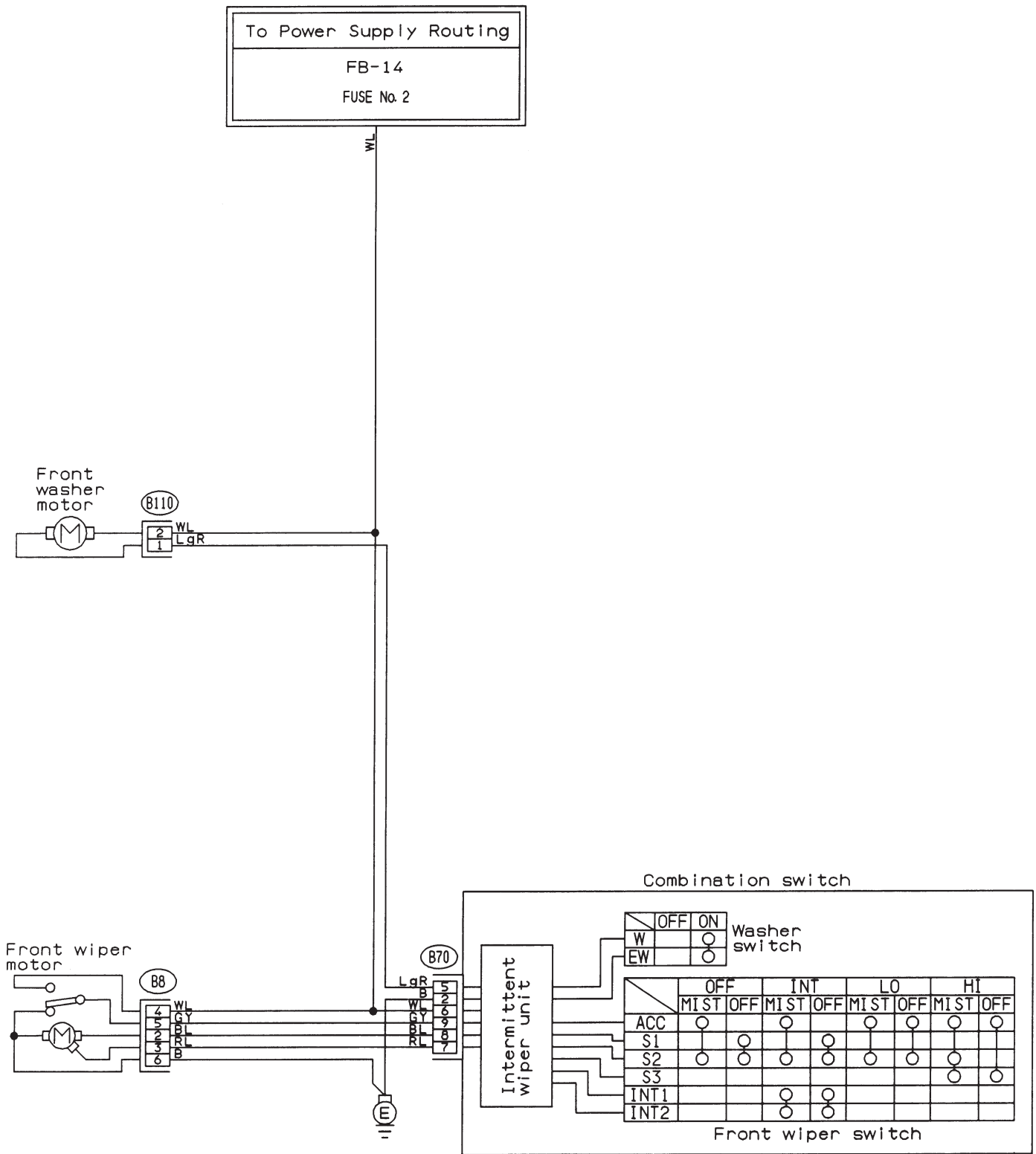


F45



15. FRONT WIPER AND WASHER SYSTEM

● RHD model



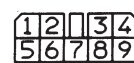
(B110) (Green)



(B8)

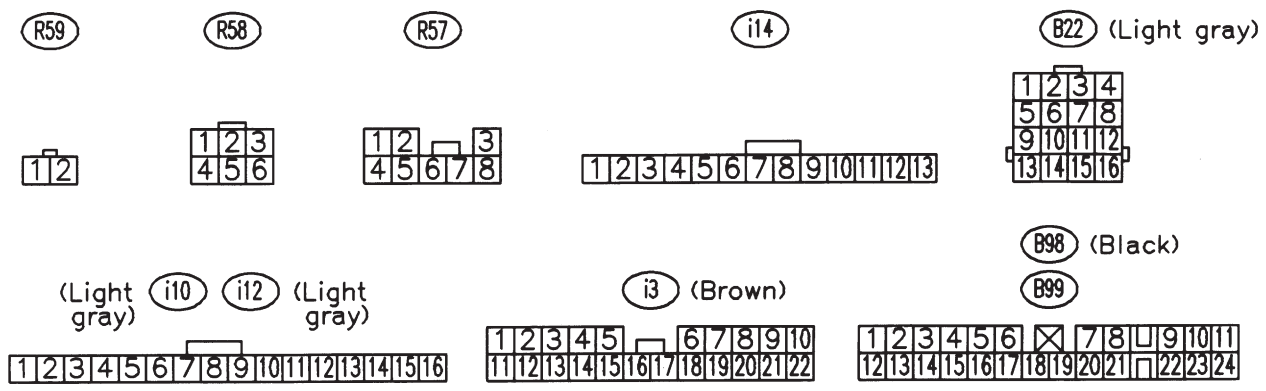
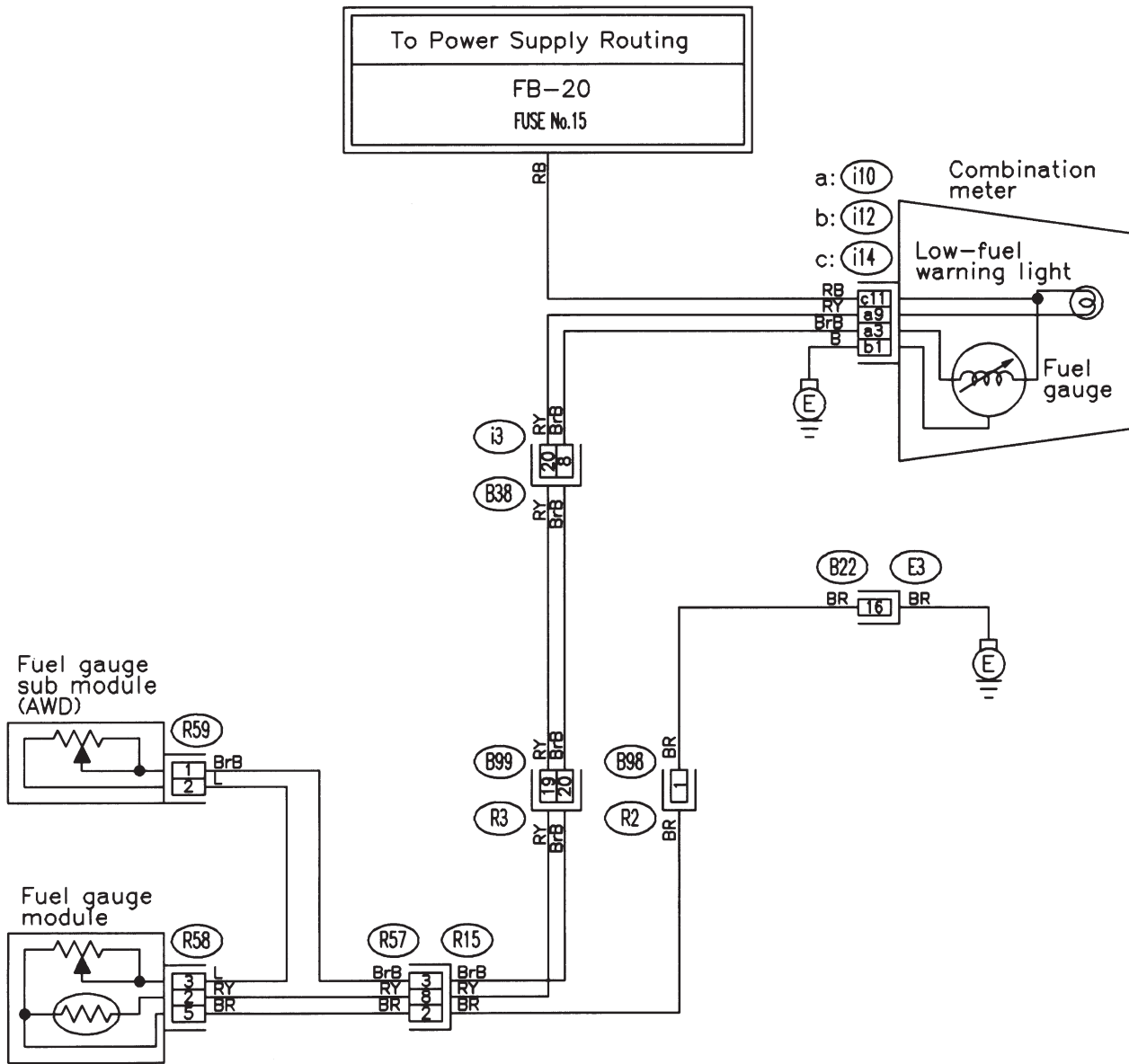


(B70)



16. FUEL GAUGE SYSTEM

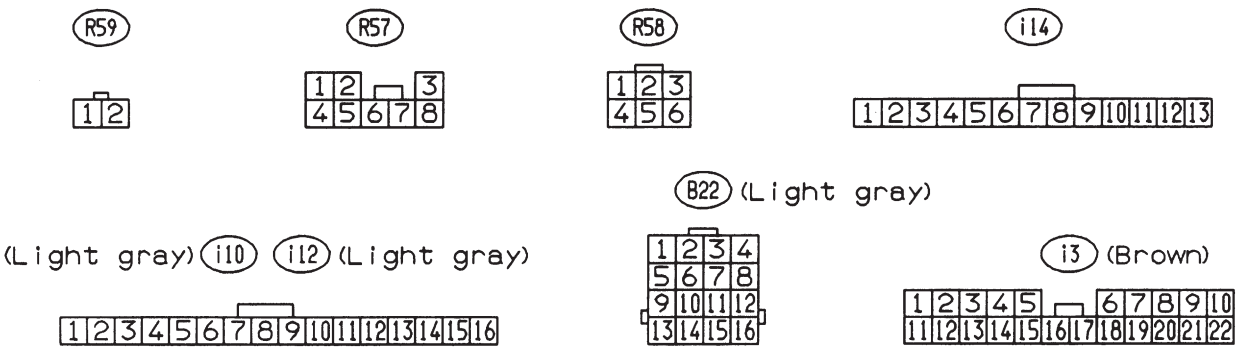
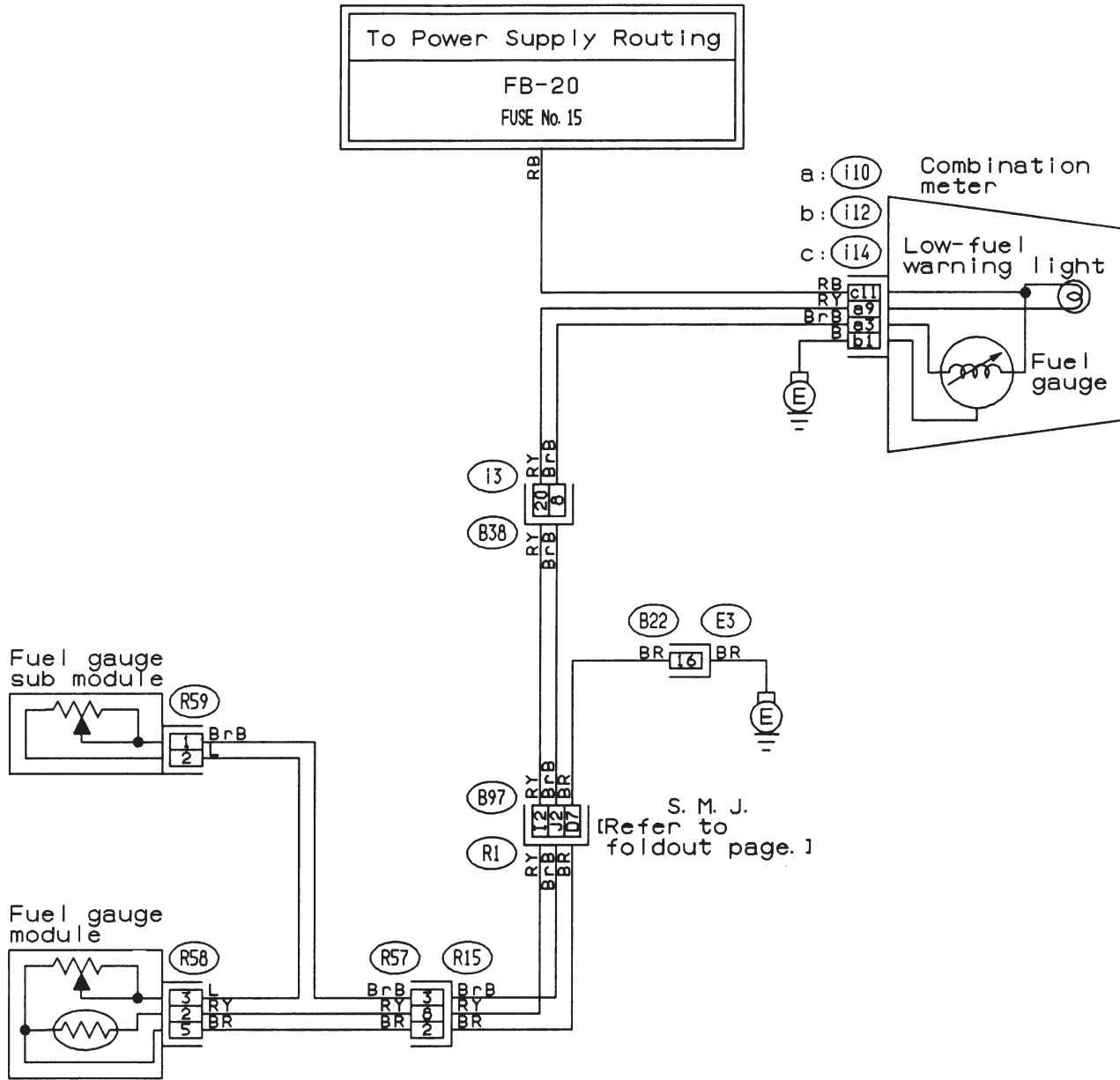
● LHD model



BU61-02

16. FUEL GAUGE SYSTEM

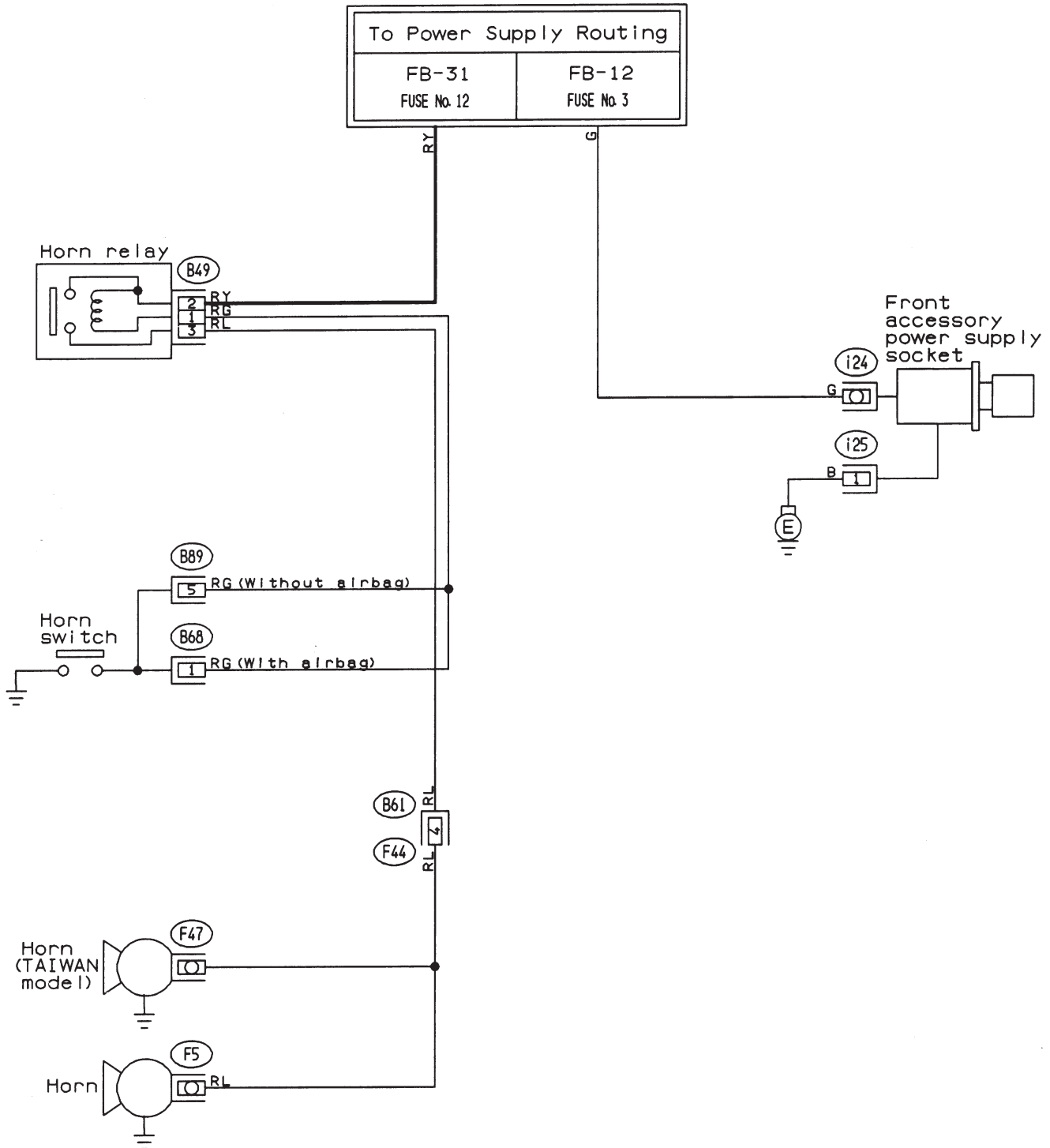
● RHD model



BUR61-02

17. HORN AND FRONT ACCESSORY POWER SUPPLY SYSTEM

● LHD model



(i25)

(B49) (Black)



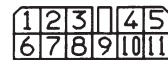
(B68) (Black)



(F44)



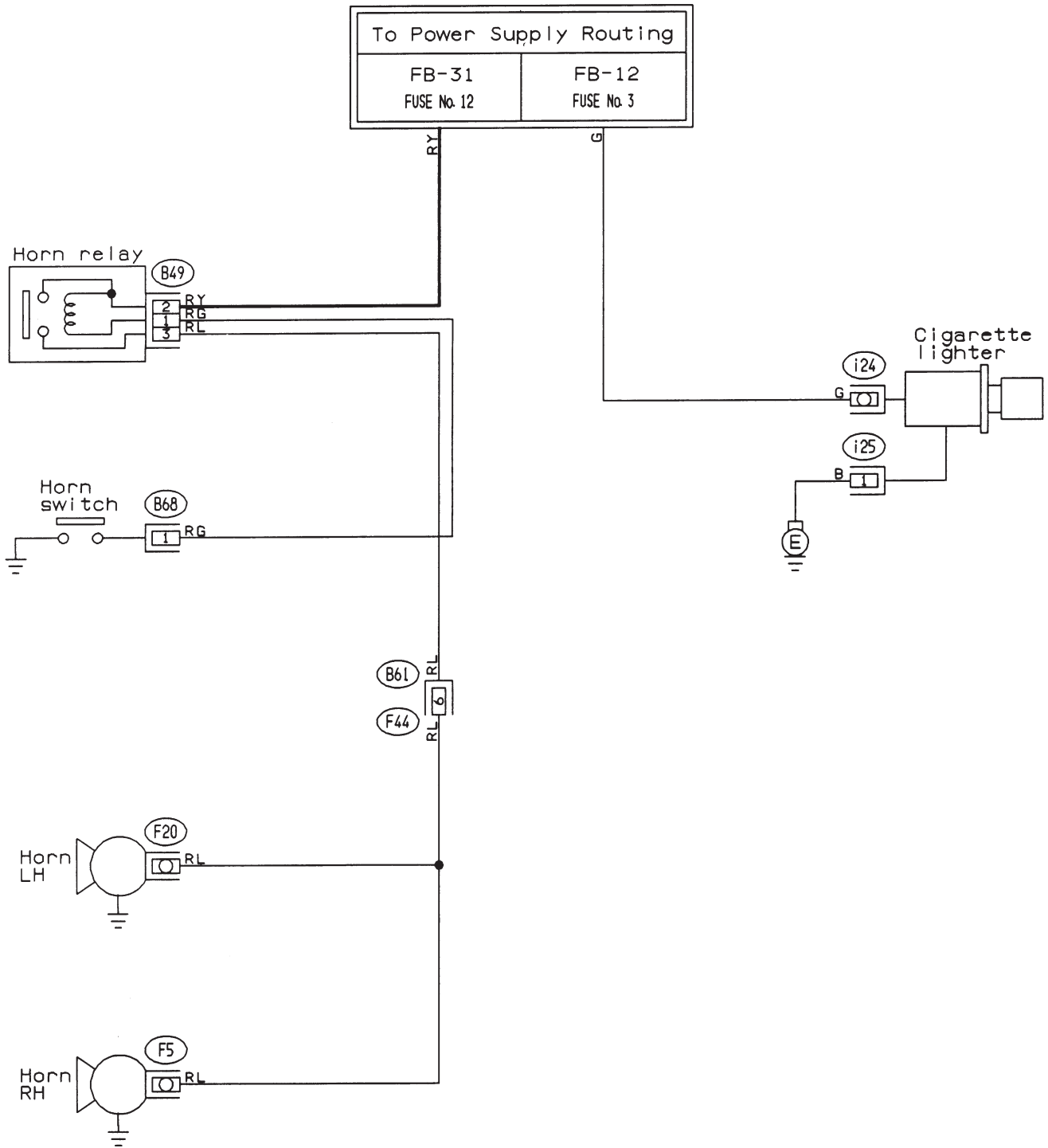
(B89) (Black)



BU74-02

17. HORN AND FRONT ACCESSORY POWER SUPPLY SYSTEM

● RHD model



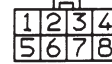
(i25) (B49) (Black)



(B68) (Black)



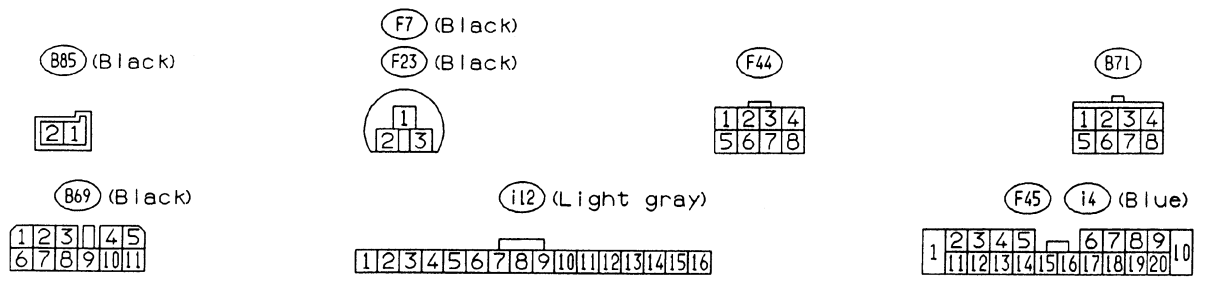
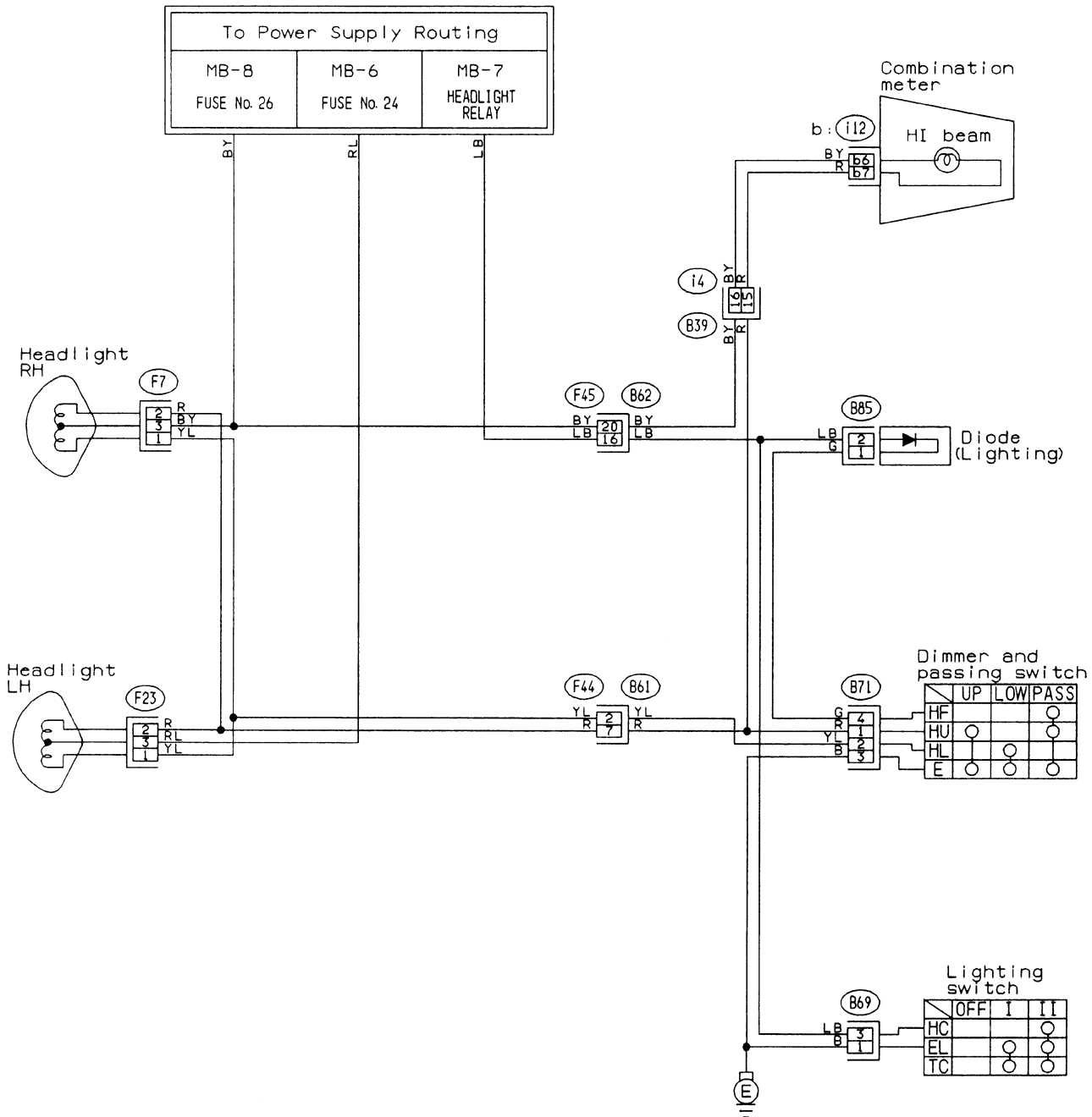
(F44)



BUR74-01

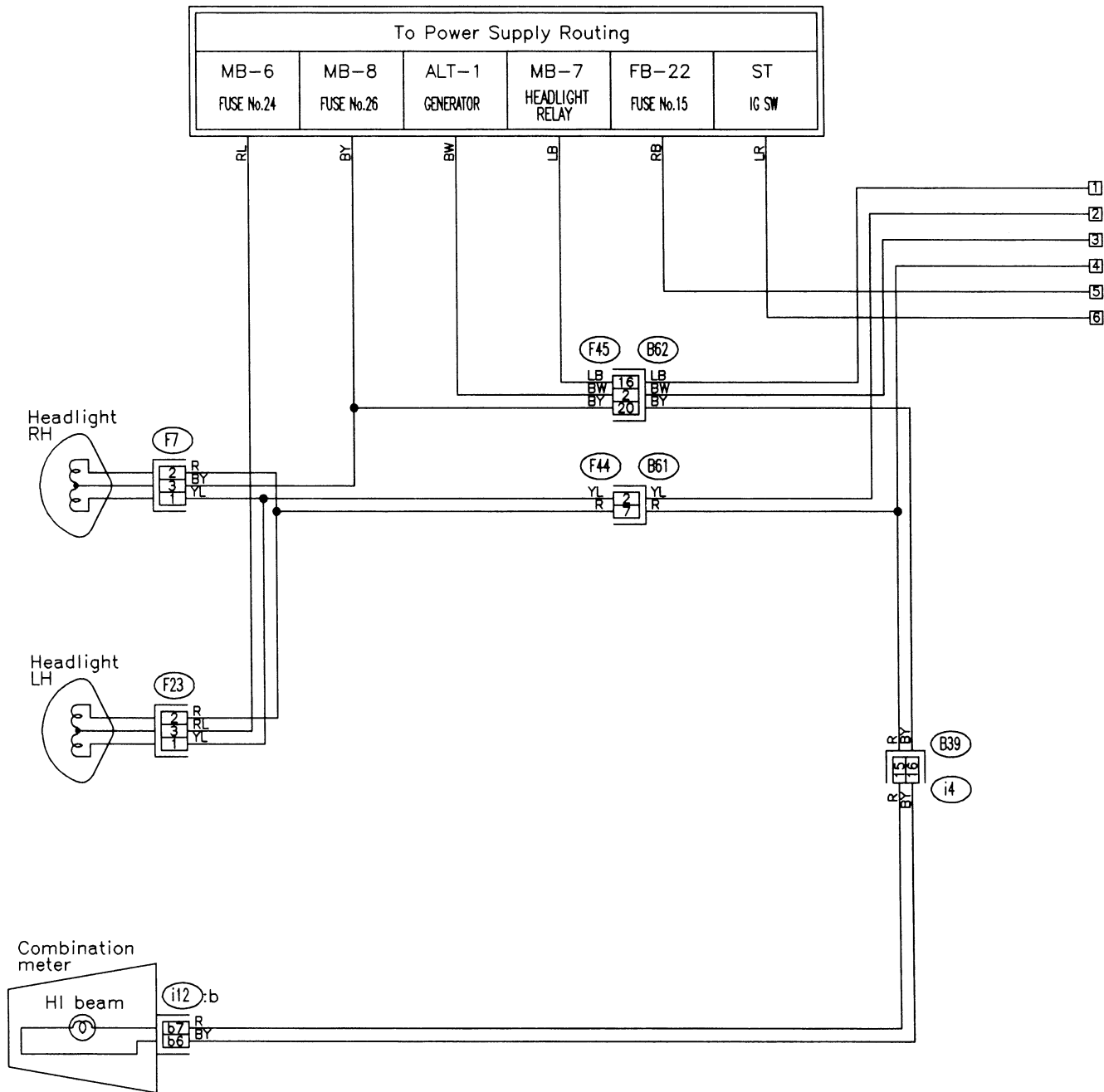
18. LIGHTING (HEADLIGHT) SYSTEM

● LHD without DRL model



18. LIGHTING (HEADLIGHT) SYSTEM

- LHD with DRL model

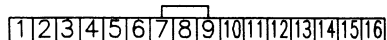


(F7) (Black)

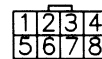
(F23) (Black)



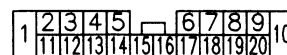
(i12) (Light gray)

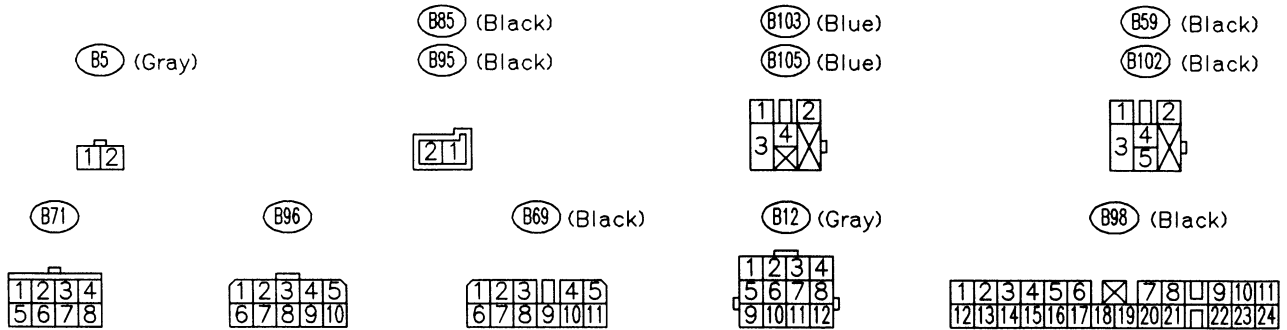
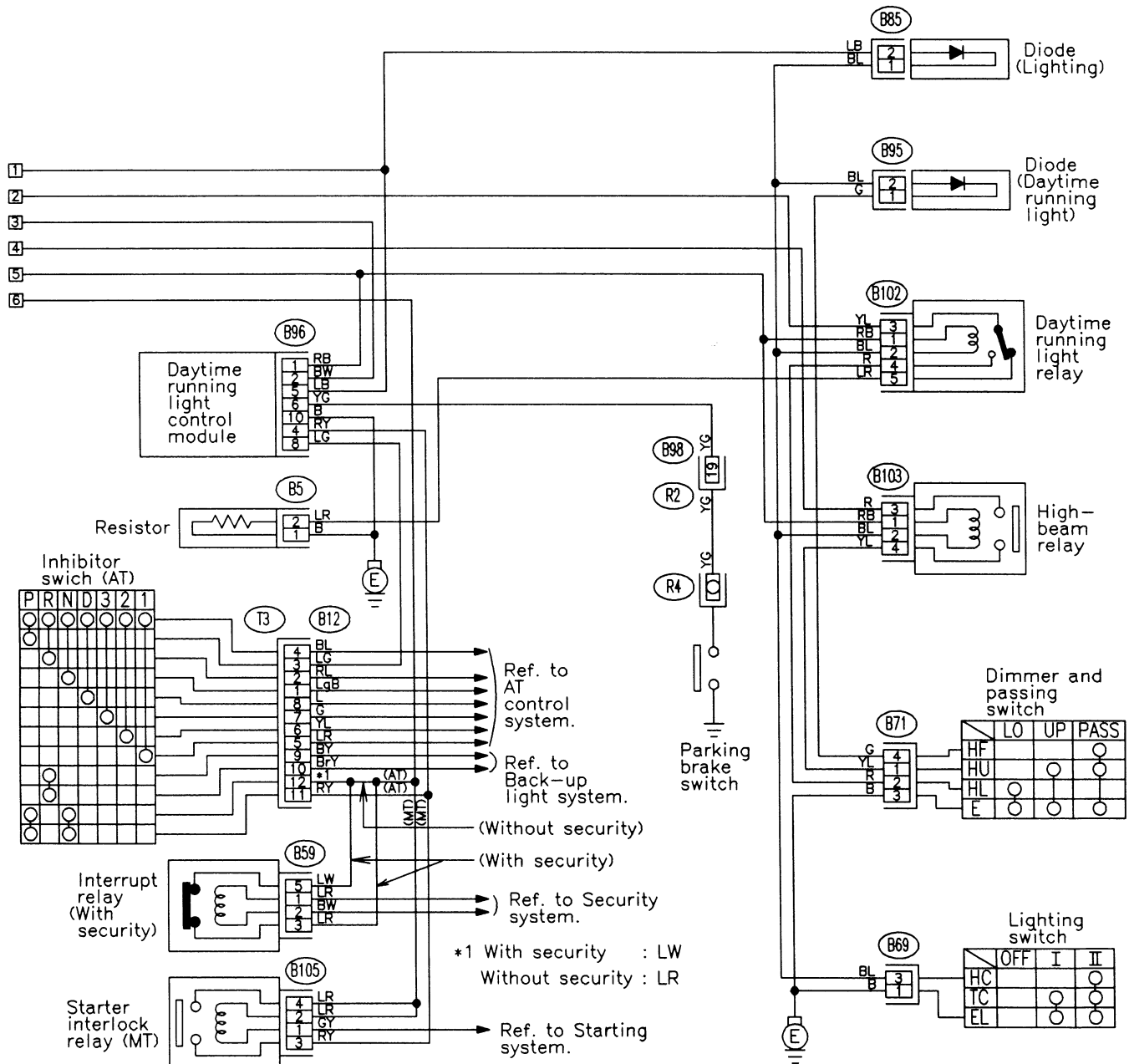


(F44)



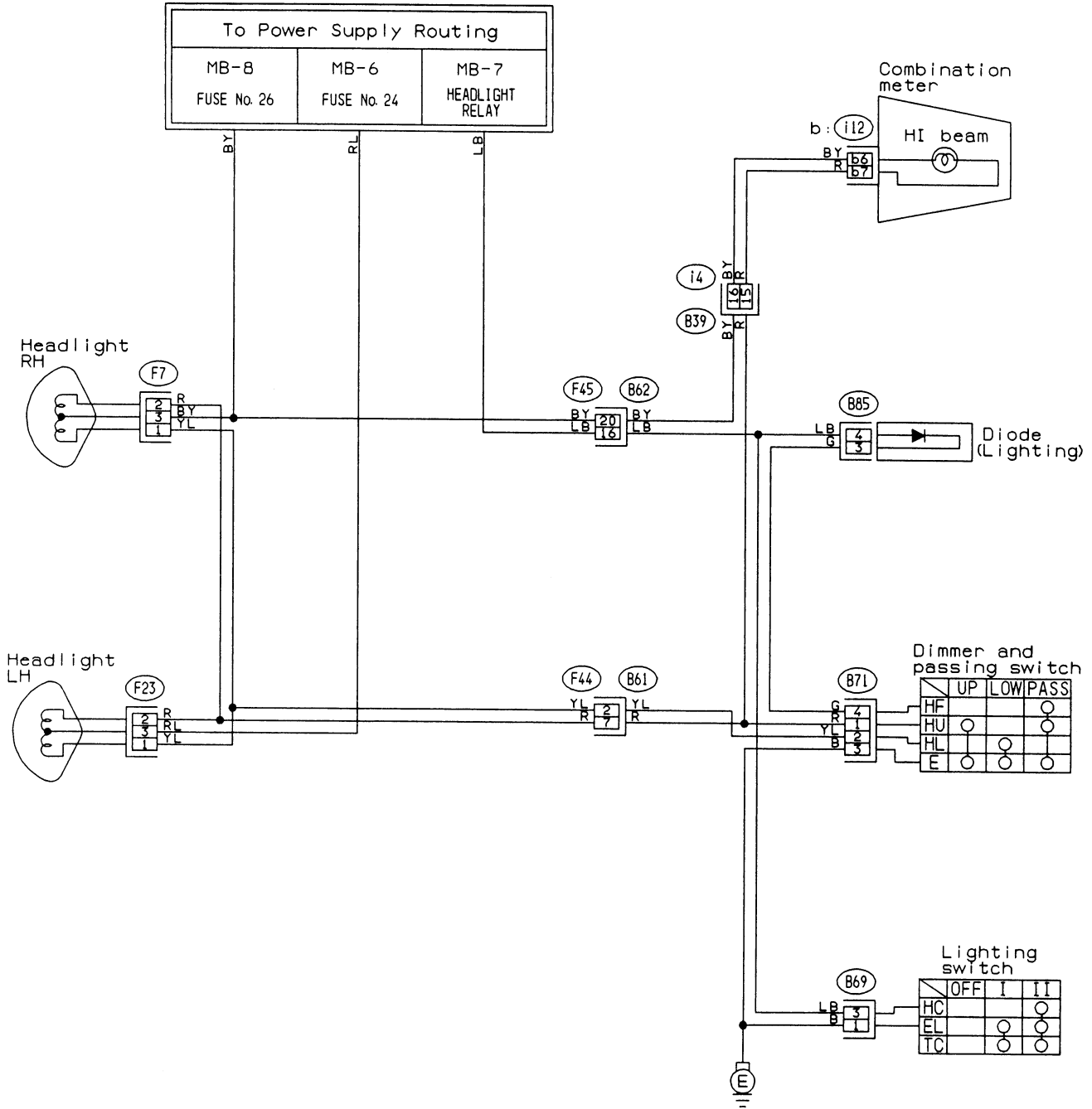
(F45) (i4) (Blue)





18. LIGHTING (HEADLIGHT) SYSTEM

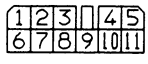
● RHD model



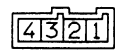
(F7) (Black)
(F23) (Black)



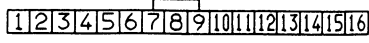
(B69) (Black)



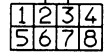
(B85) (Brown)



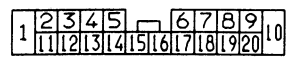
(i12) (Light gray)



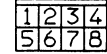
(F45)



(F45) (i4) (Blue)

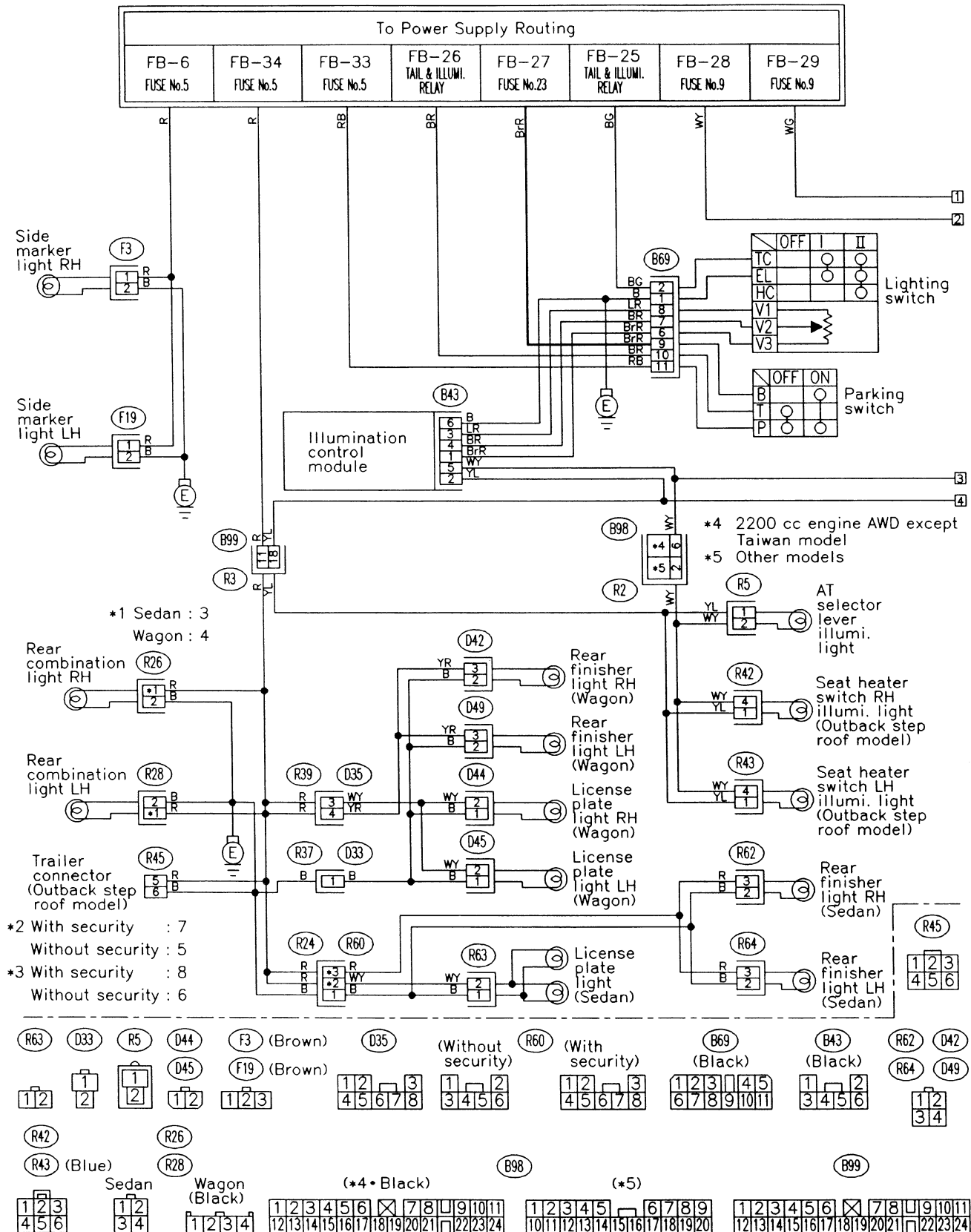


(B71)

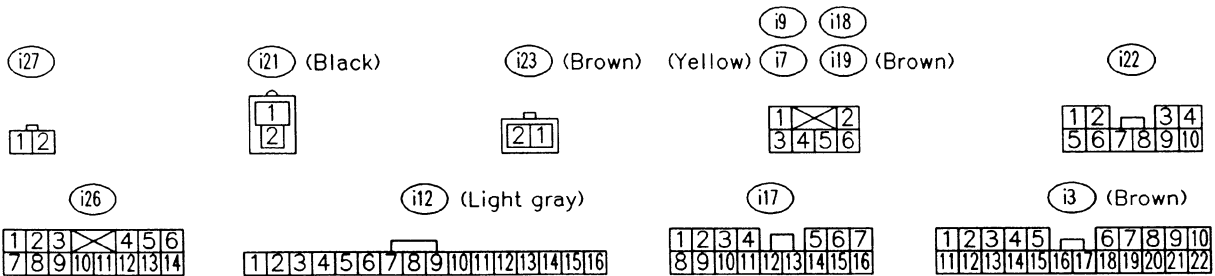
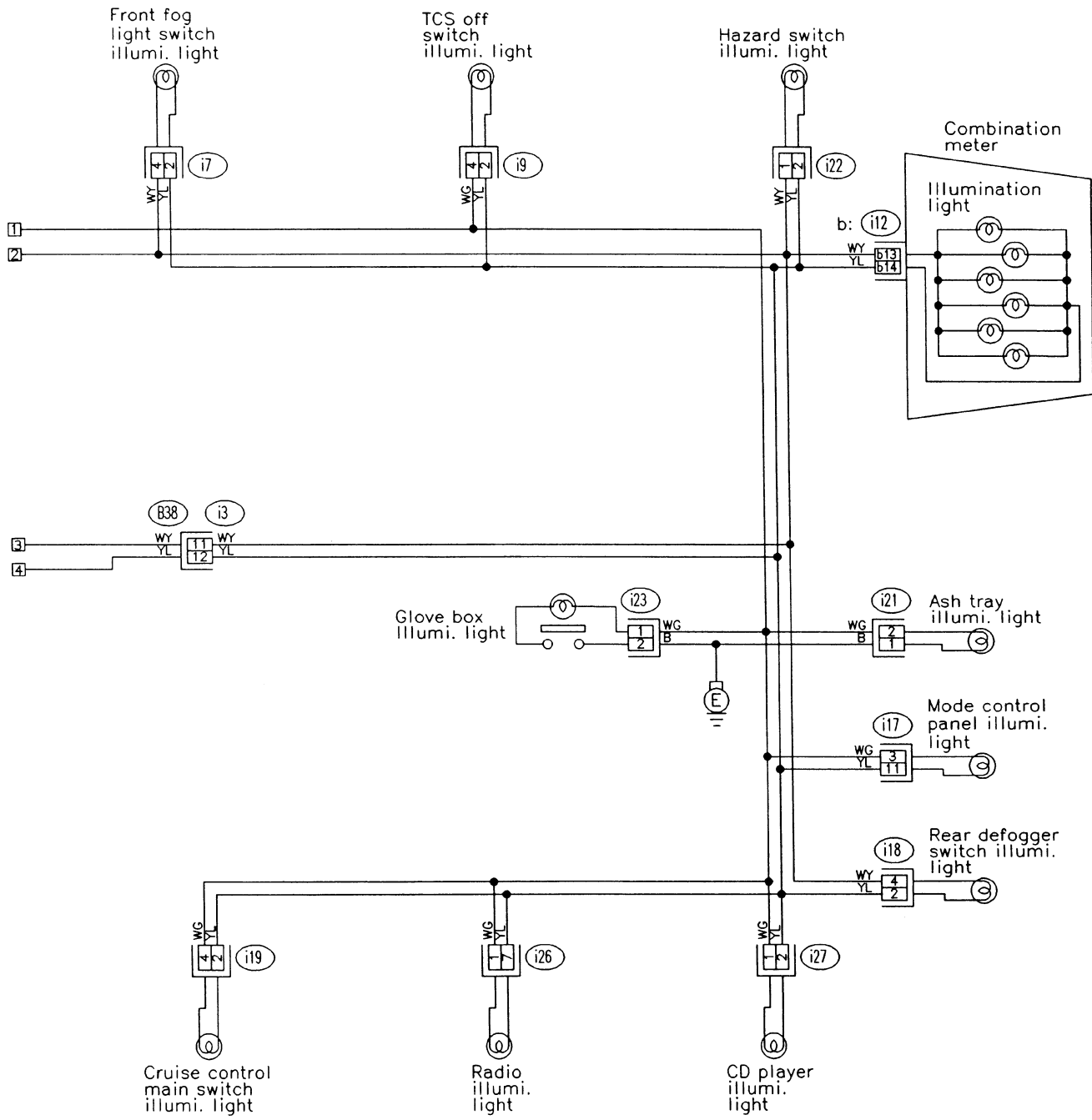


19. LIGHTING
(TAIL LIGHT-ILLUMINATION LIGHT-ETC.) SYSTEM

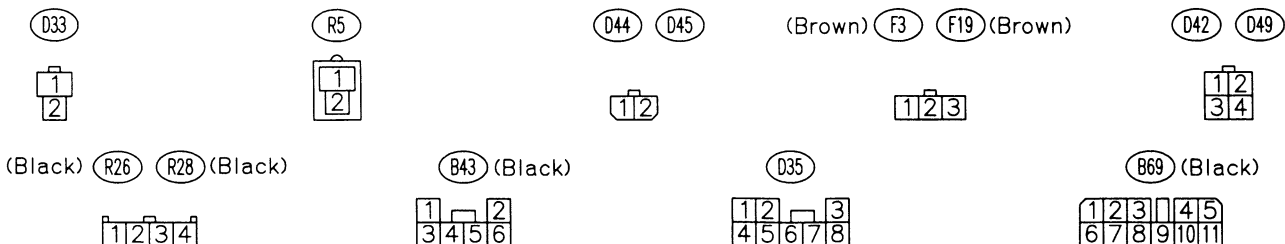
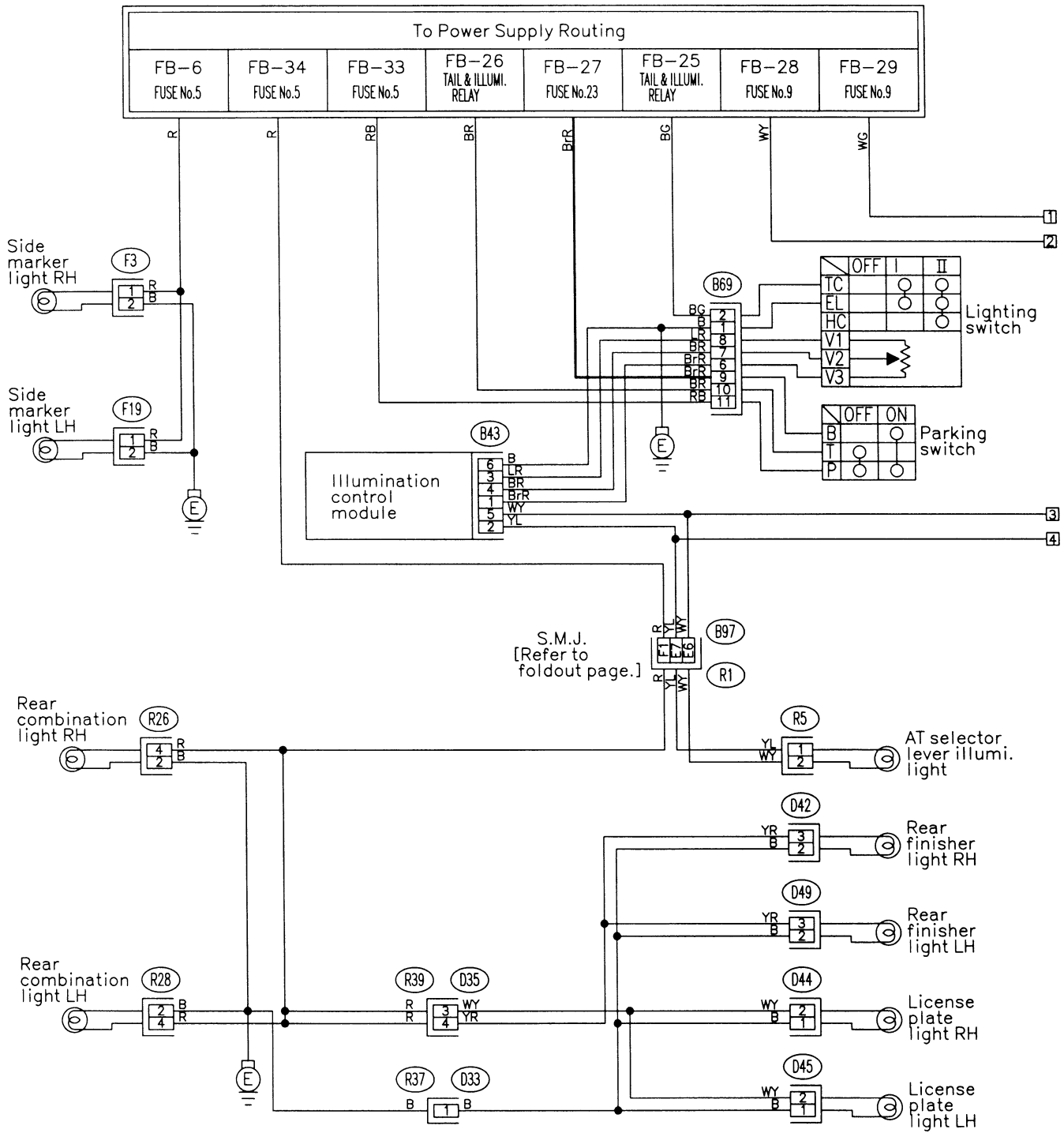
● LHD model

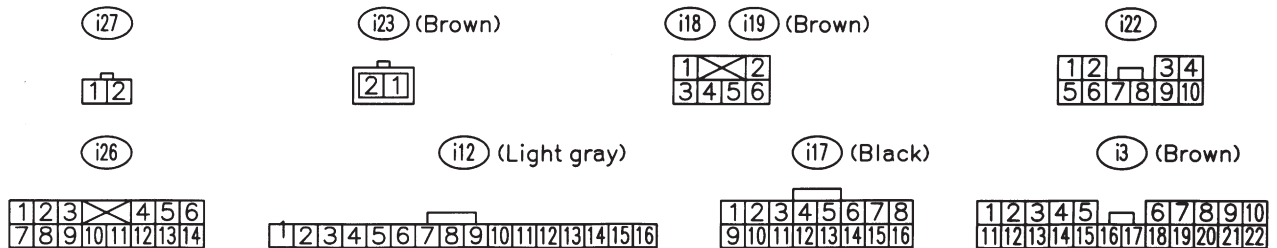
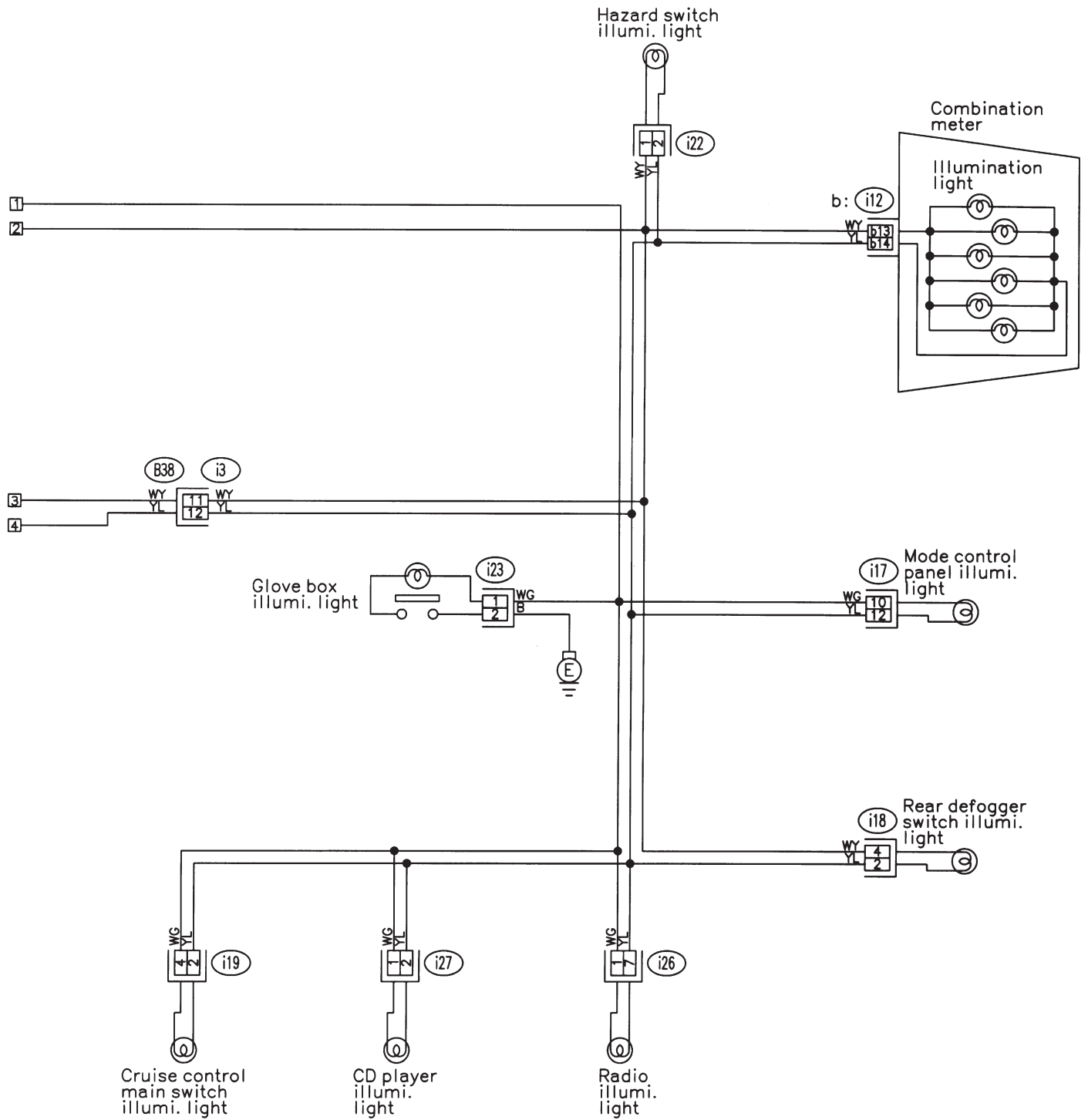


6. Wiring Diagram



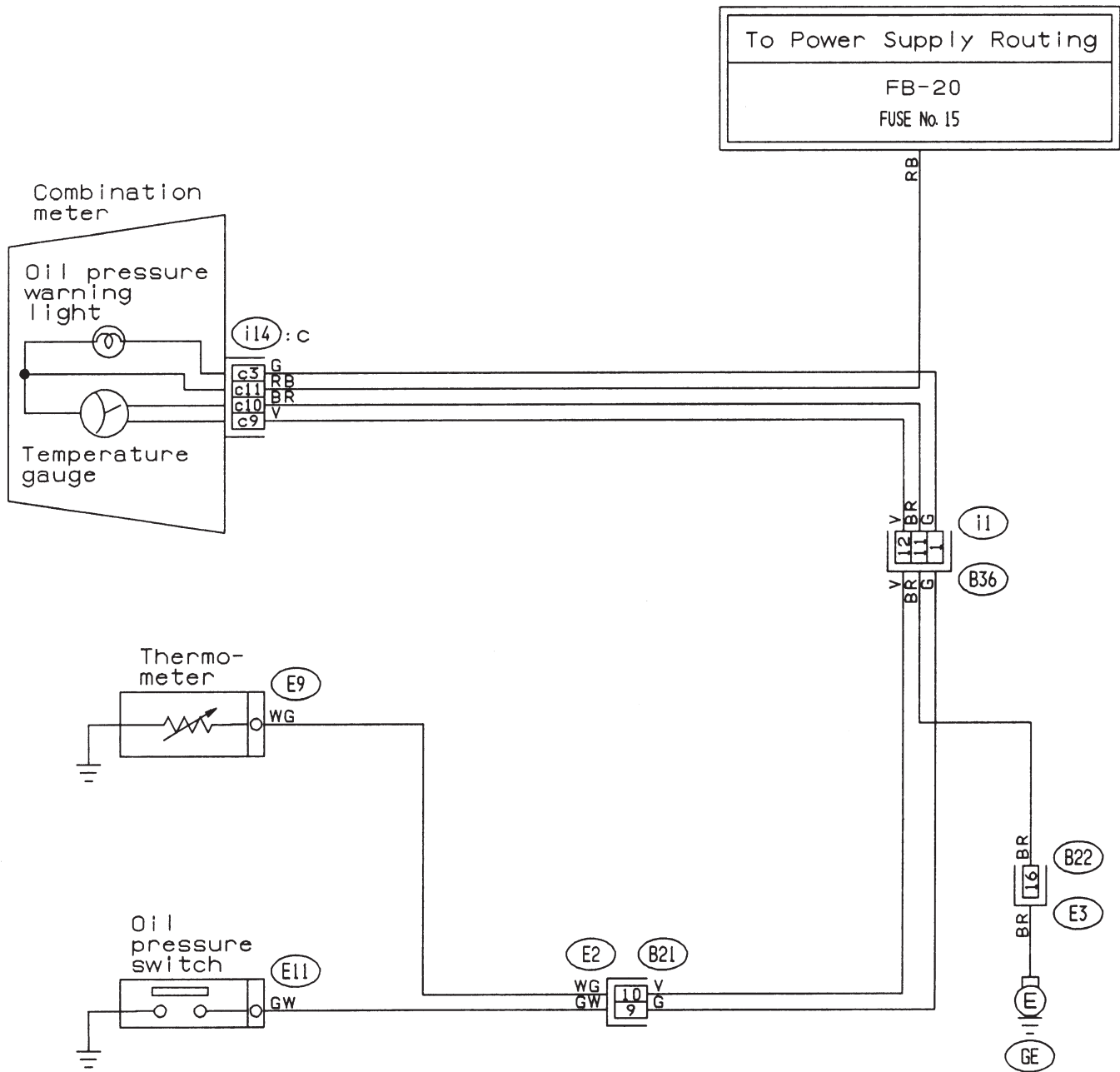
19. LIGHTING
(TAIL LIGHT-ILLUMINATION LIGHT-ETC.) SYSTEM
● RHD model



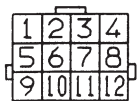


BUR21-02B

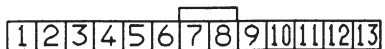
20. OIL PRESSURE AND TEMPERATURE GAUGE SYSTEM



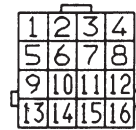
(B21) (Light gray)



(i14)



(B22) (Light gray)



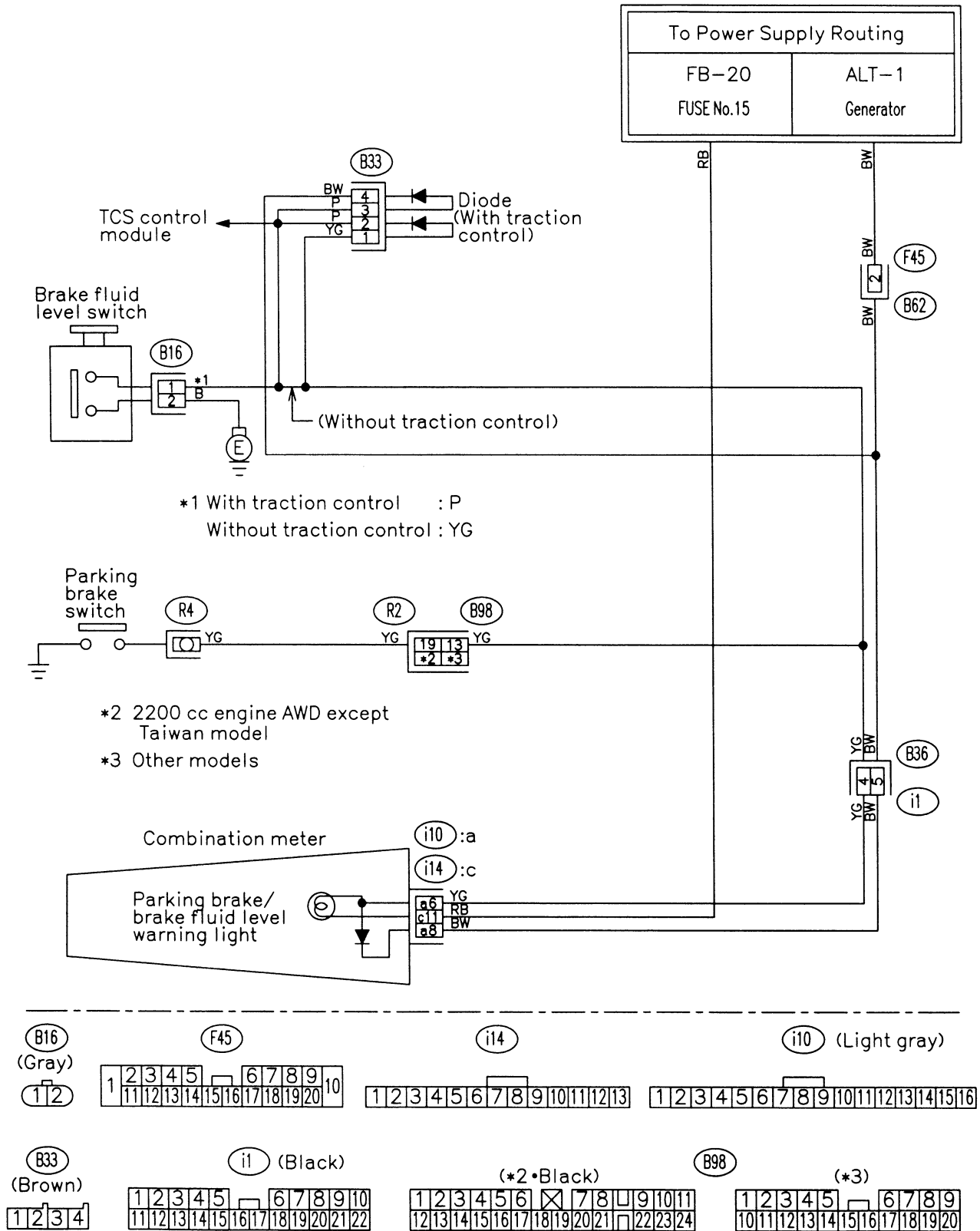
(i1) (Black)



BU66-01

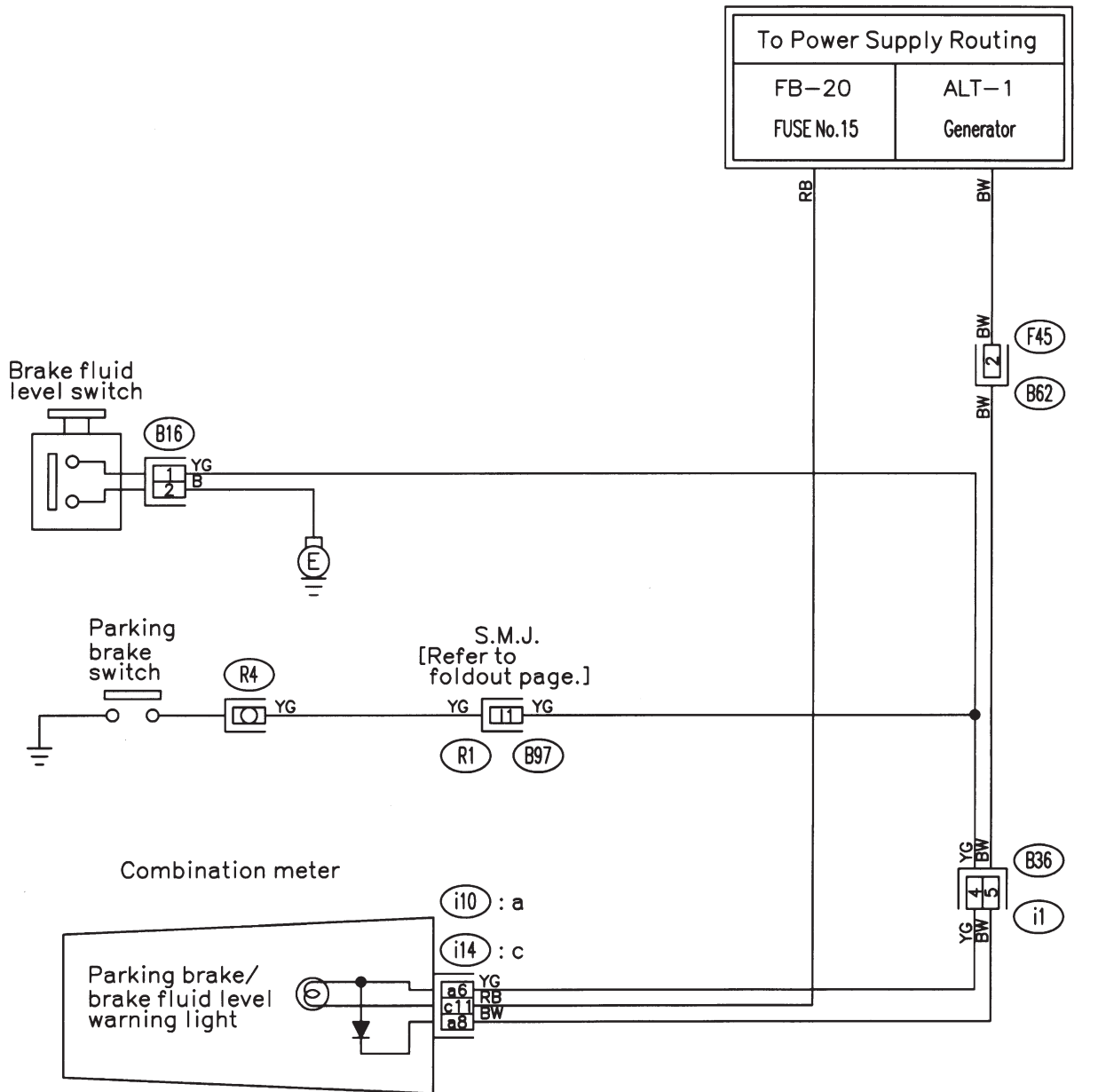
21. PARKING BRAKE AND BRAKE FLUID LEVEL WARNING SYSTEM

● LHD model



21. PARKING BRAKE AND BRAKE FLUID LEVEL WARNING SYSTEM

- RHD model



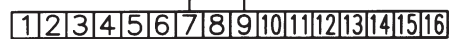
(B16) (Gray)



(i14)



(i10) (Light gray)



(F45)



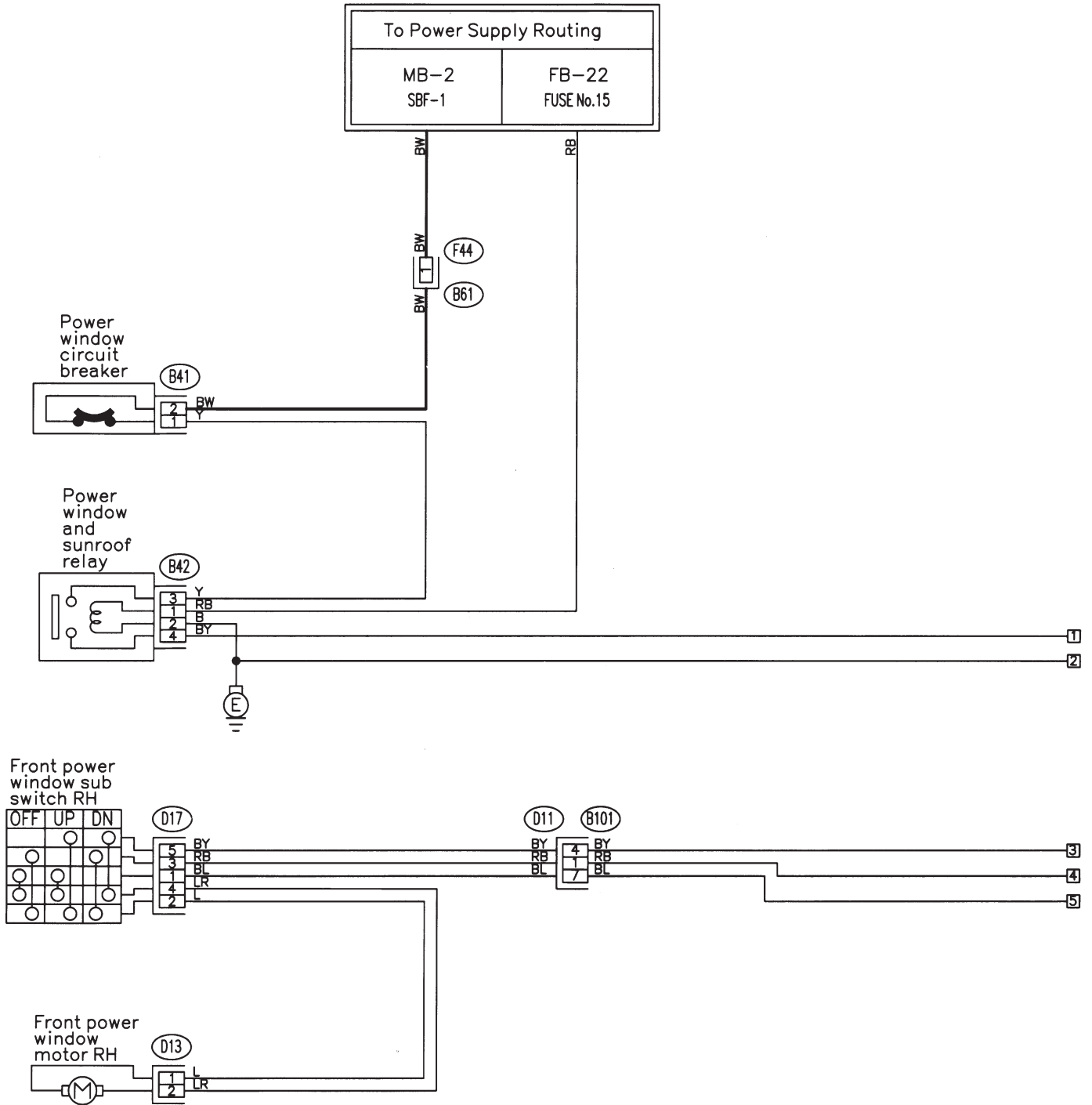
(i) (Black)



BUR60-02

22. POWER WINDOW SYSTEM

● LHD model

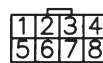
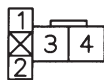


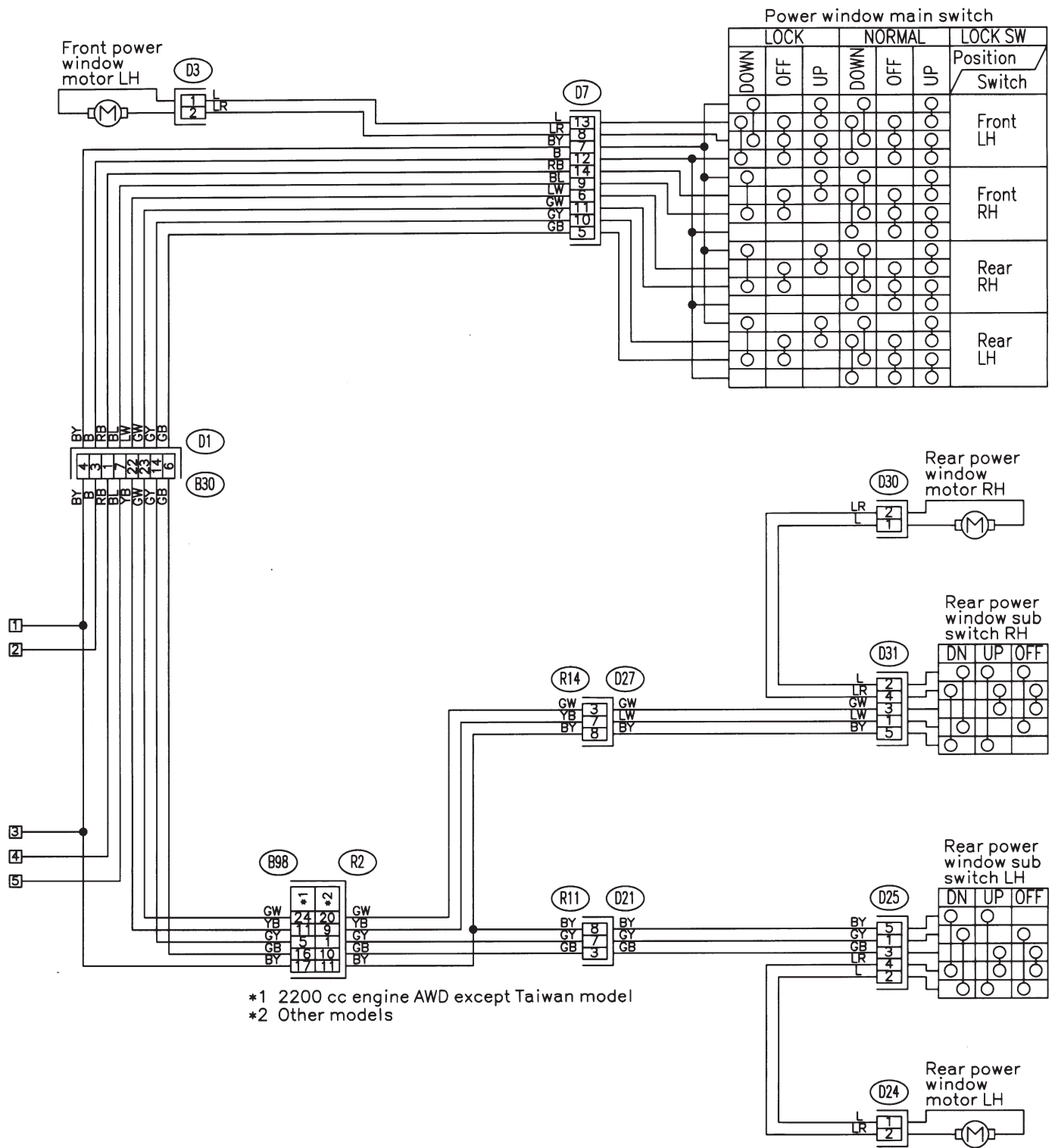
(Green) (B41) (Green) (D3) (D13) (Green)
 (Green) (D30) (D24) (Green)

(B42)

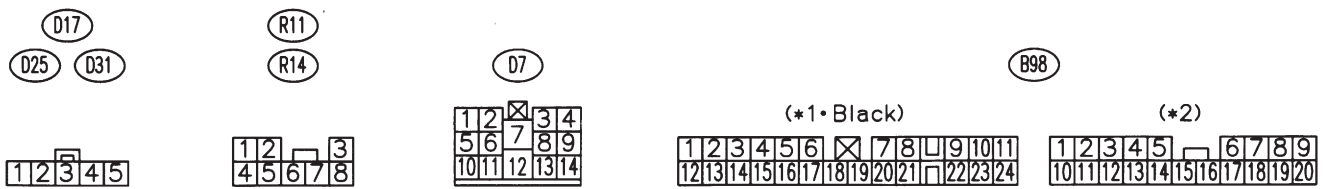
(F44)

(B30) (B101)





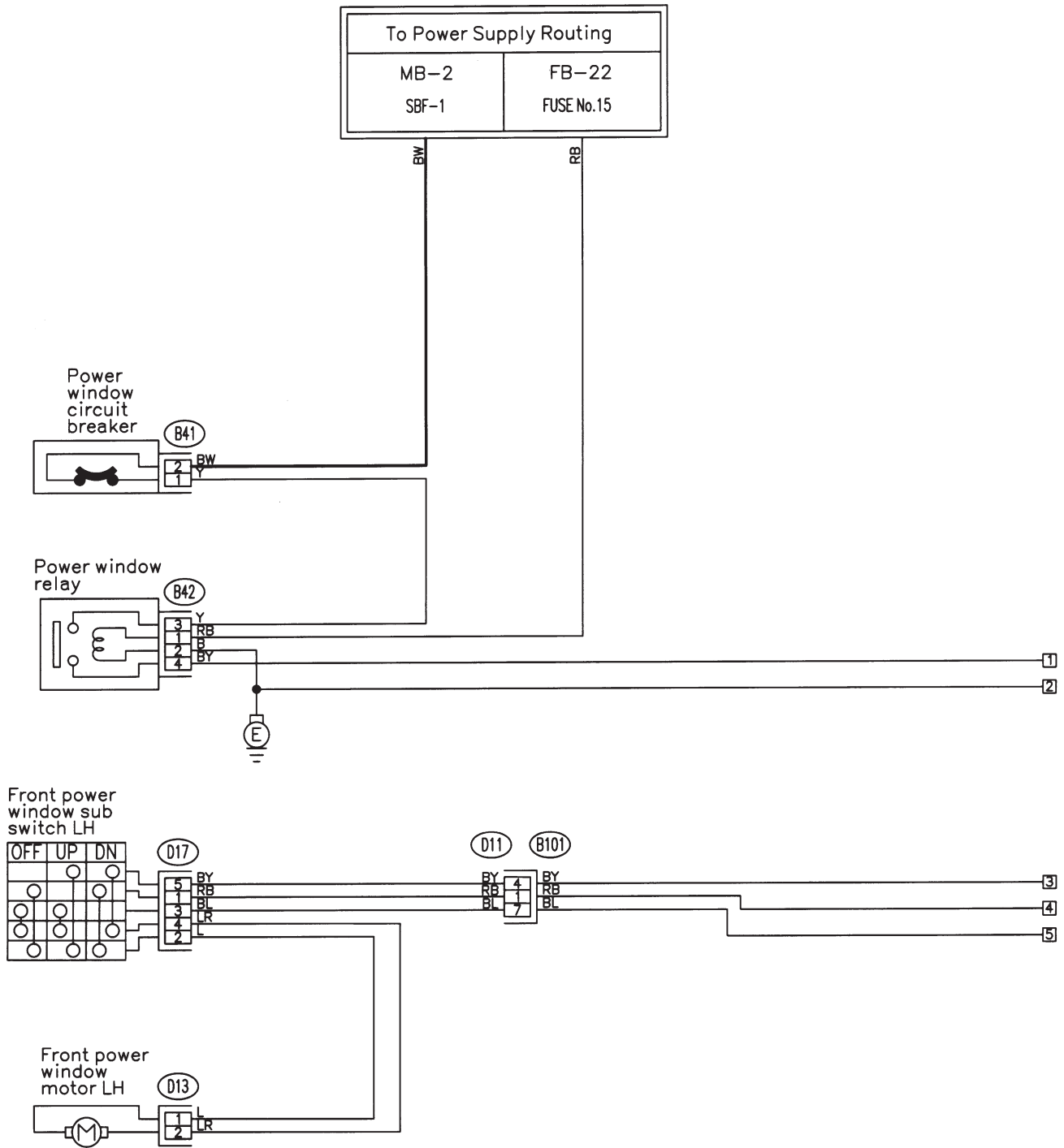
*1 2200 cc engine AWD except Taiwan model
 *2 Other models



BU70-03B

22. POWER WINDOW SYSTEM

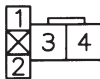
● RHD model

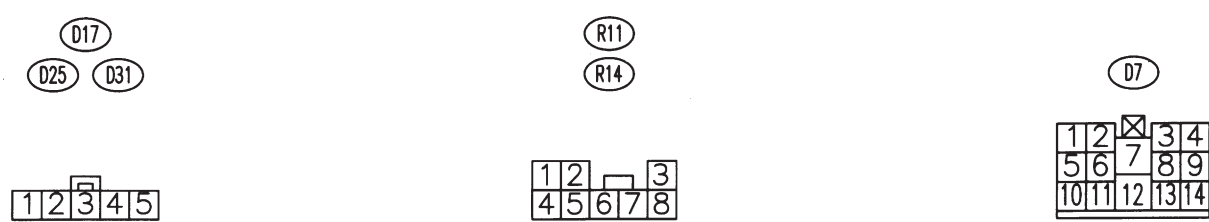
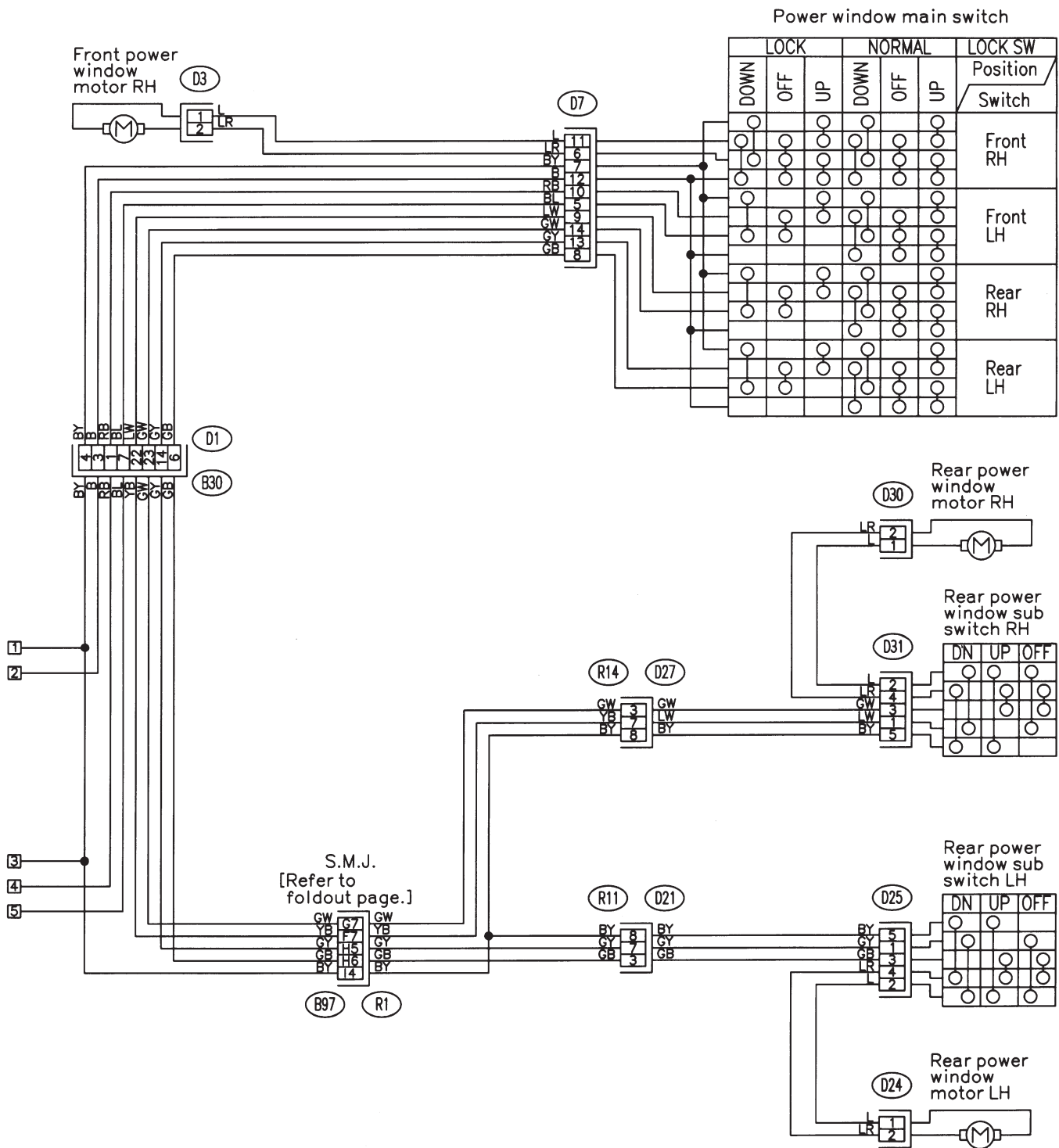


(Green) (B41)
 (Green) (D3) (D13) (Green)
 (Green) (D30) (D24) (Green)

(B42)

(B30) (B101)

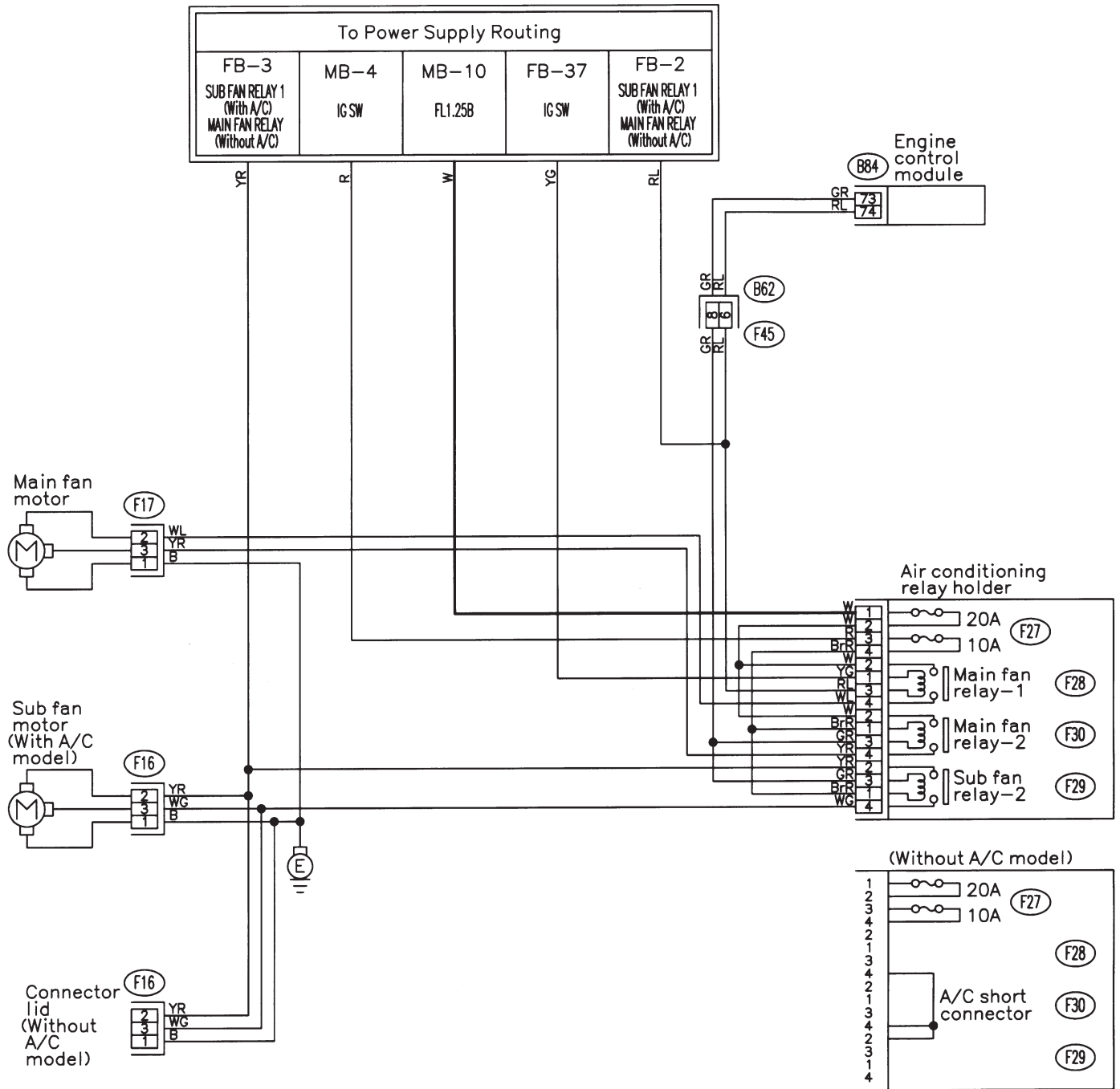




BUR70-02B

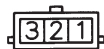
23. RADIATOR FAN SYSTEM

● LHD model



F16 (Black)

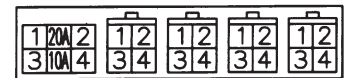
F17 (Black)



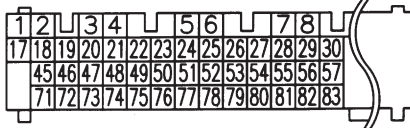
F45

B84 (Light blue)

F27 F28 F29 F30 F31

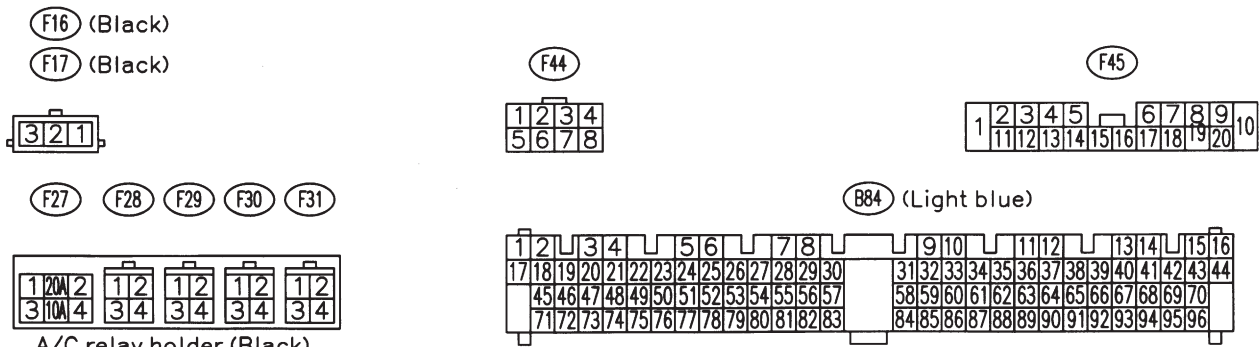
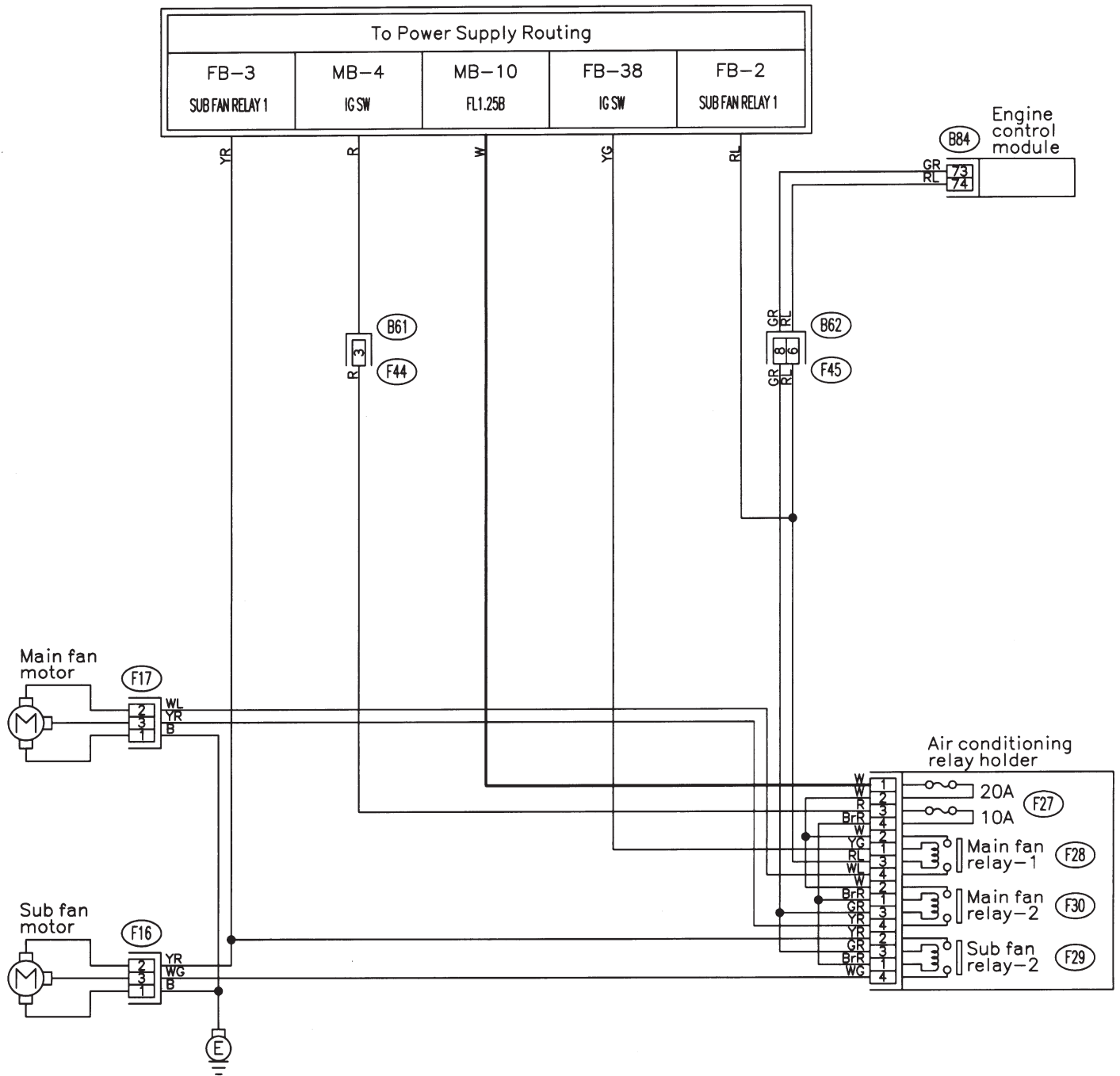


A/C relay holder (Black)



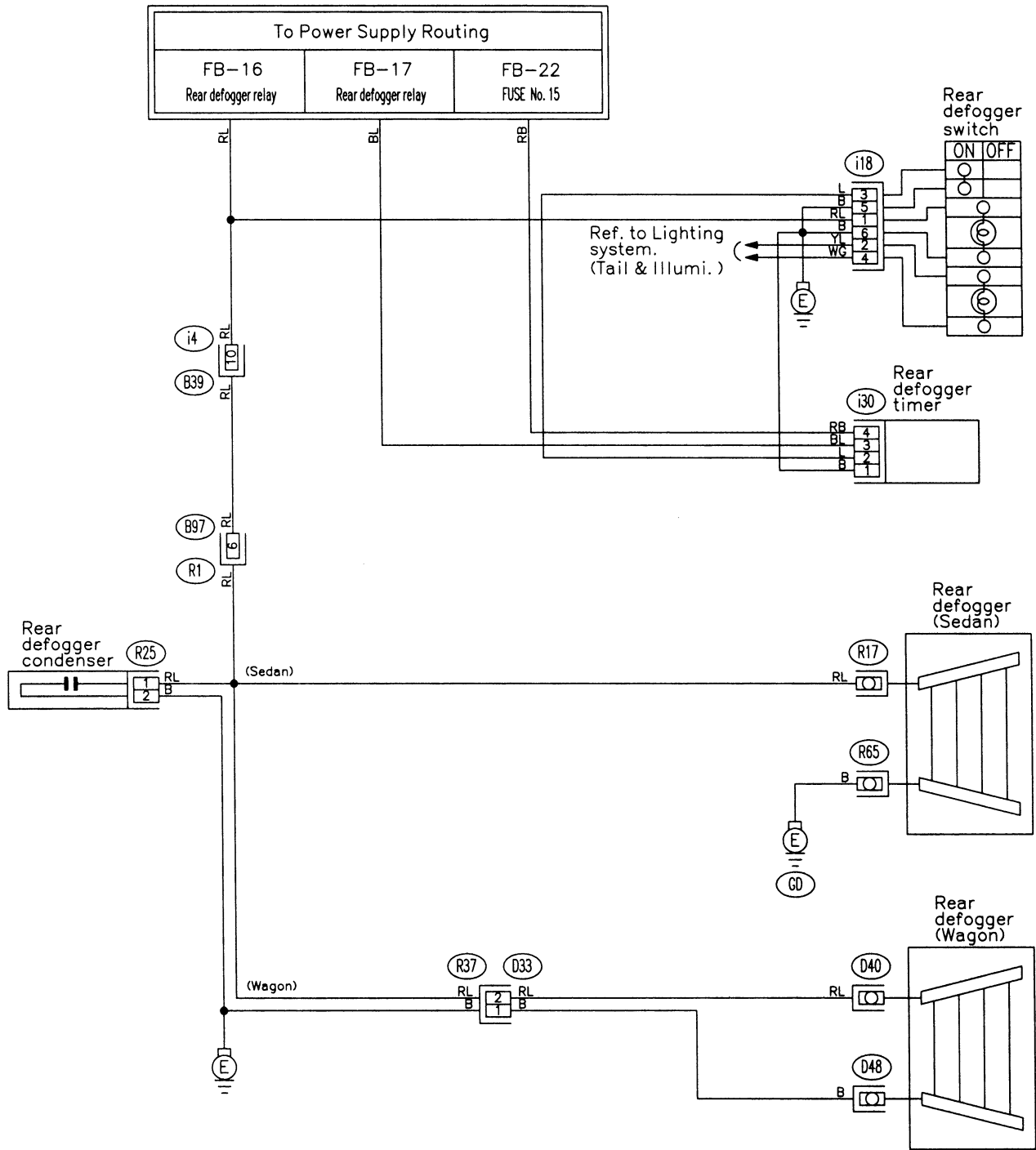
23. RADIATOR FAN SYSTEM

● RHD model



24. REAR WINDOW DEFOGGER SYSTEM

● LHD model



(D33)

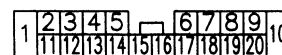
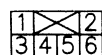
(R25) (Black)

(i18)

(i30)

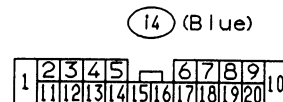
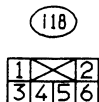
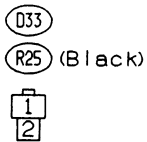
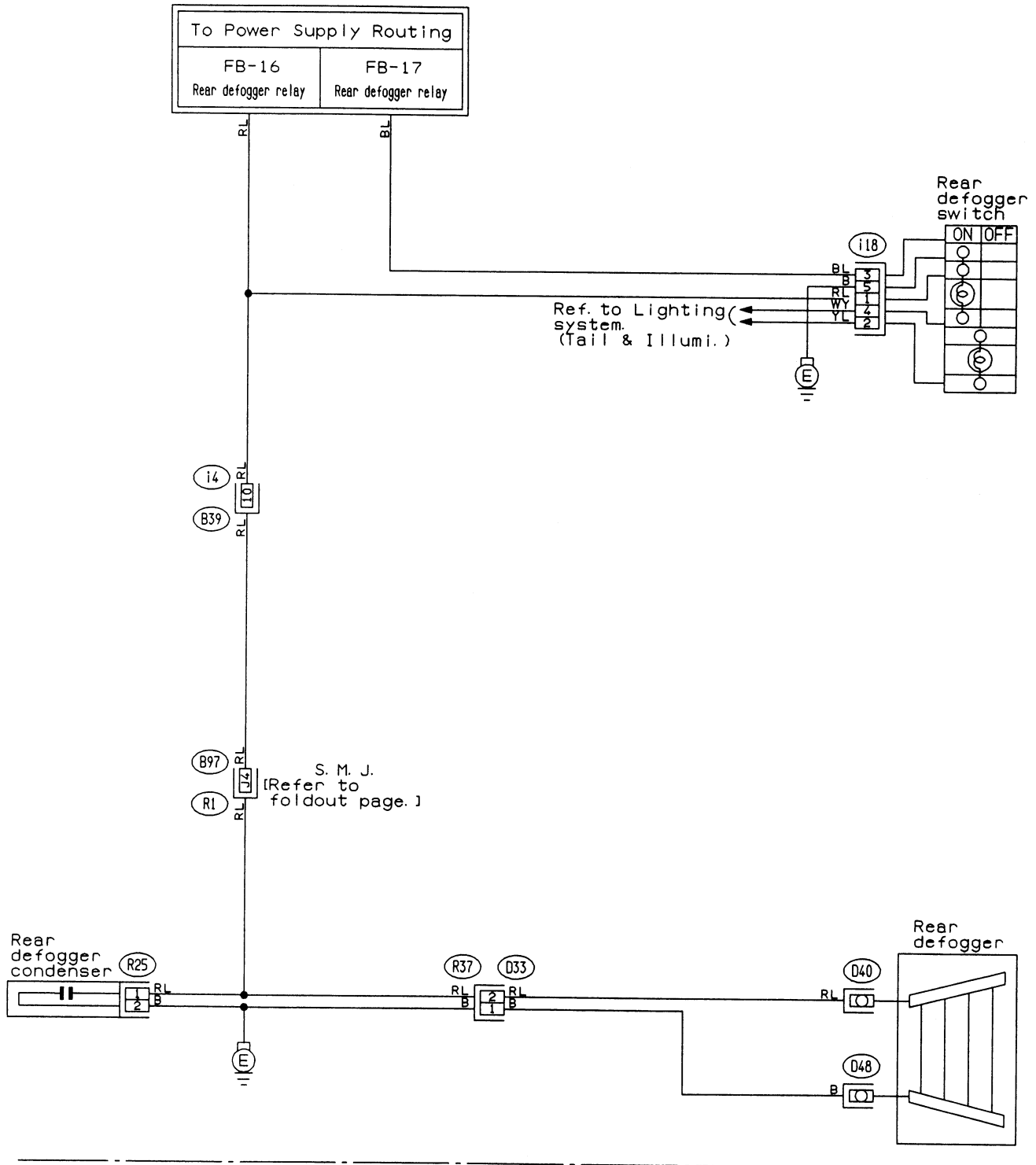
(B97)

(i4) (Blue)



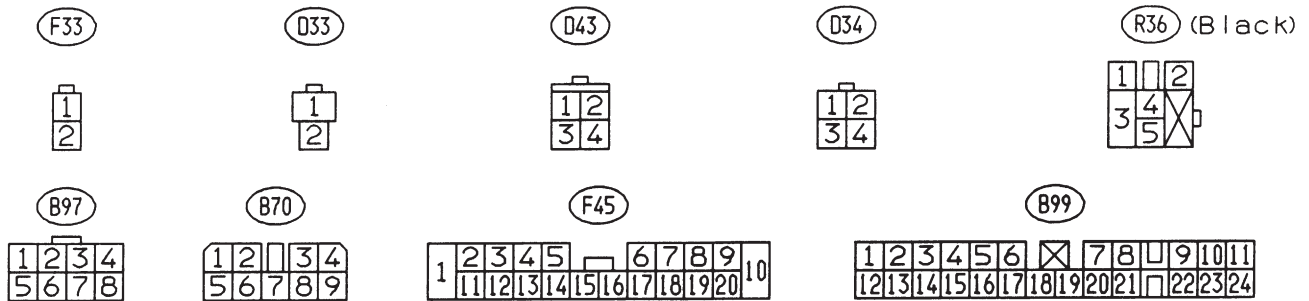
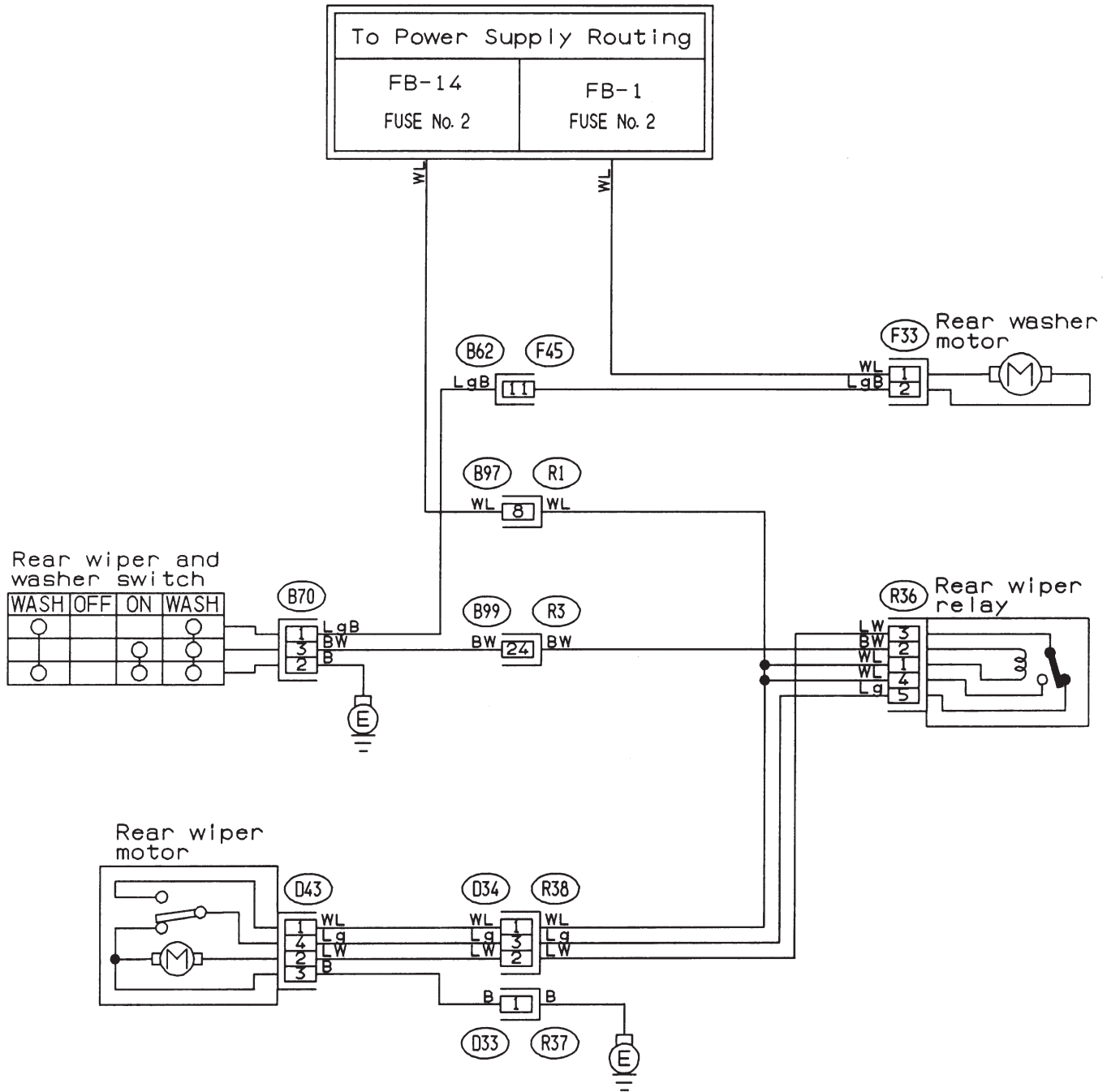
24. REAR WINDOW DEFOGGER SYSTEM

- RHD model



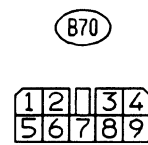
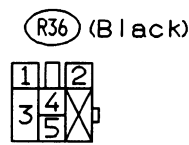
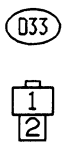
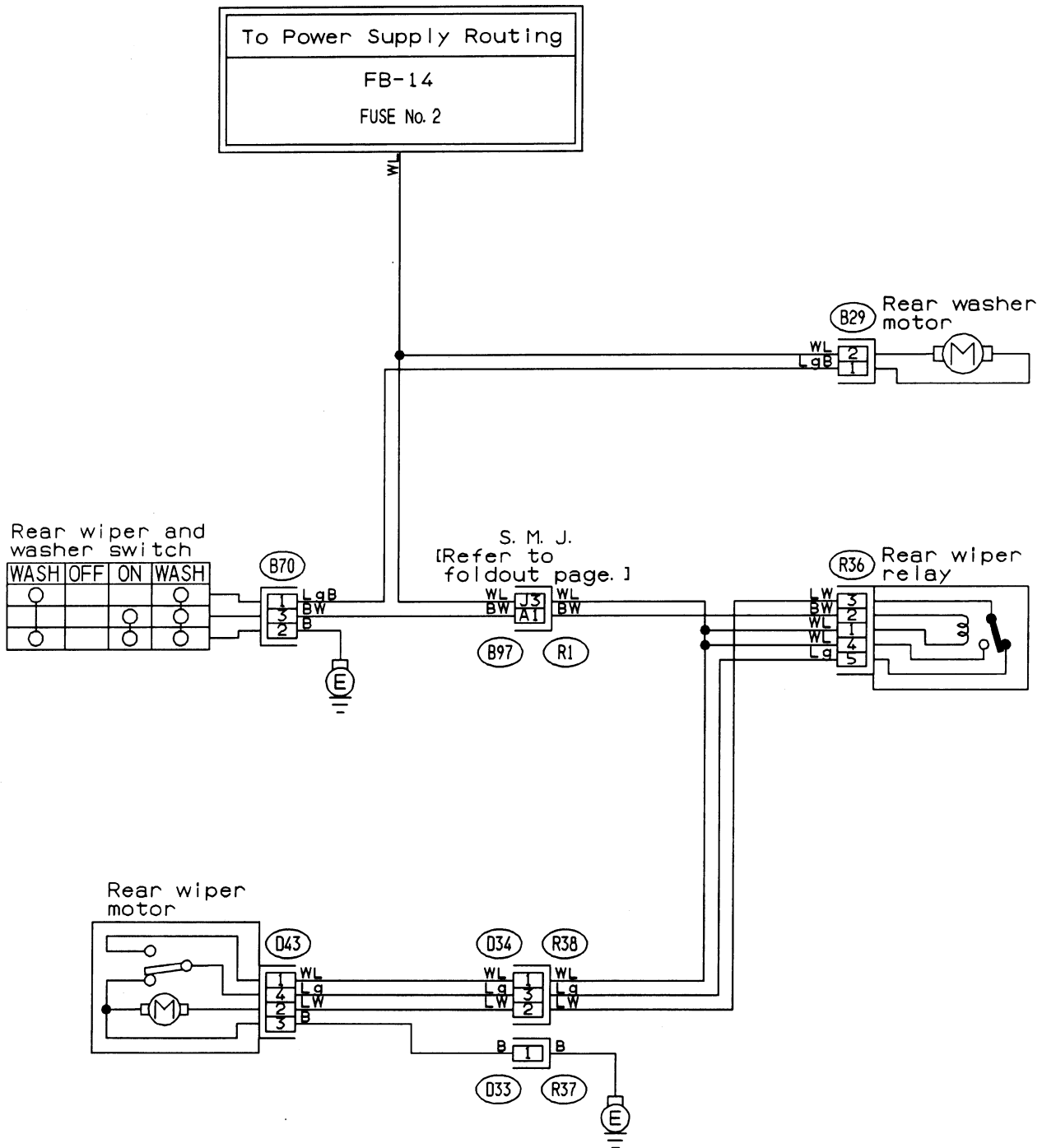
25. REAR WIPER AND WASHER SYSTEM

● LHD model



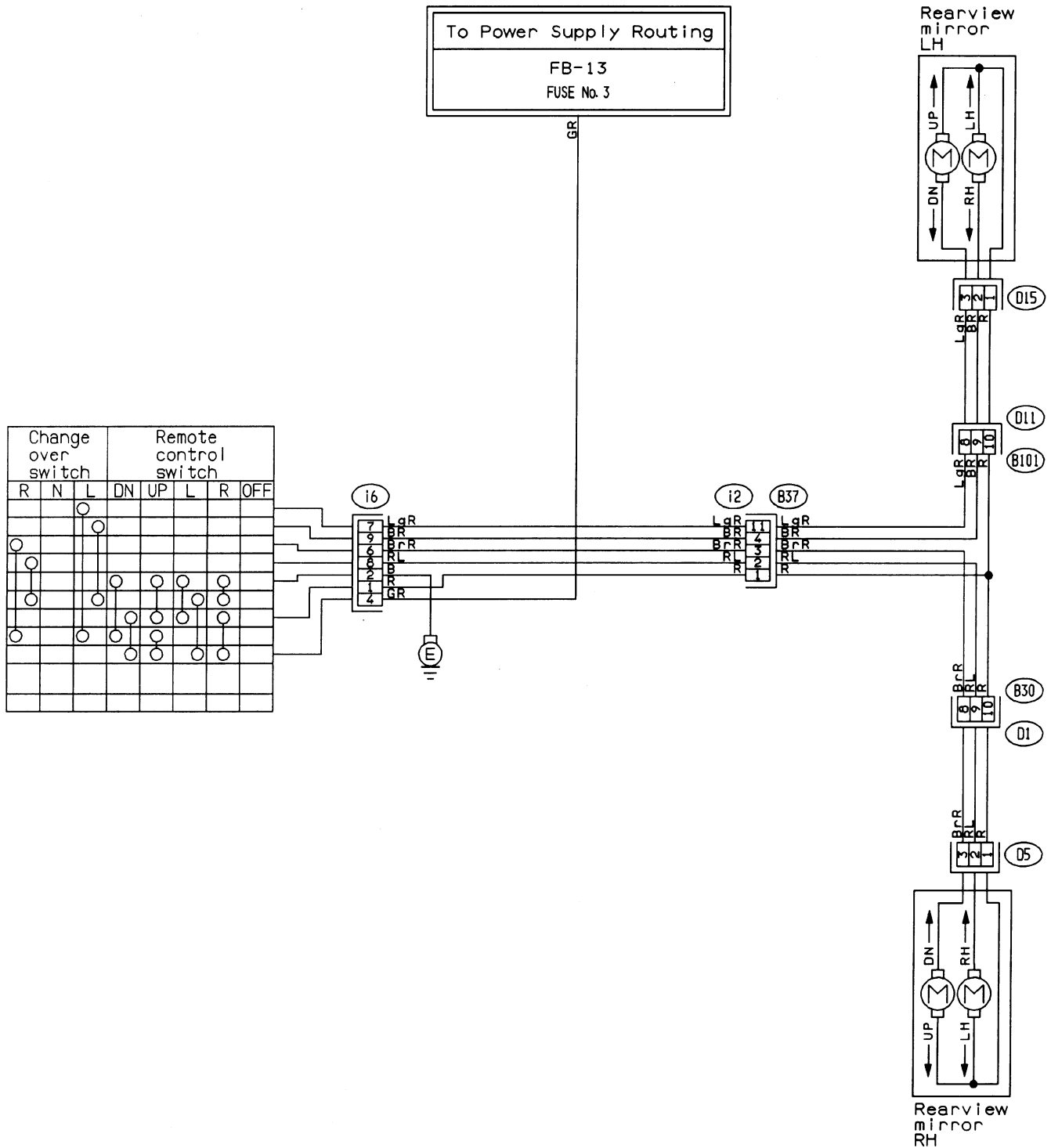
25. REAR WIPER AND WASHER SYSTEM

● RHD model



26. REMOTE CONTROL REARVIEW MIRROR SYSTEM

- RHD model

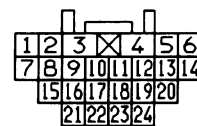
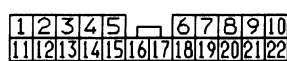
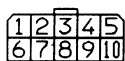


(D5) (D15)

(i6)

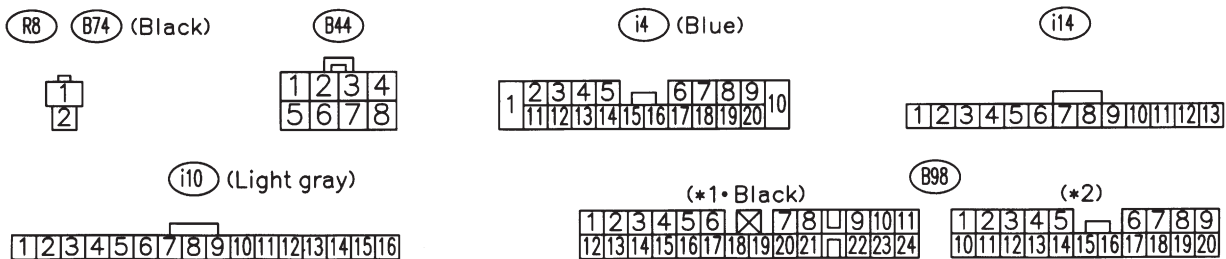
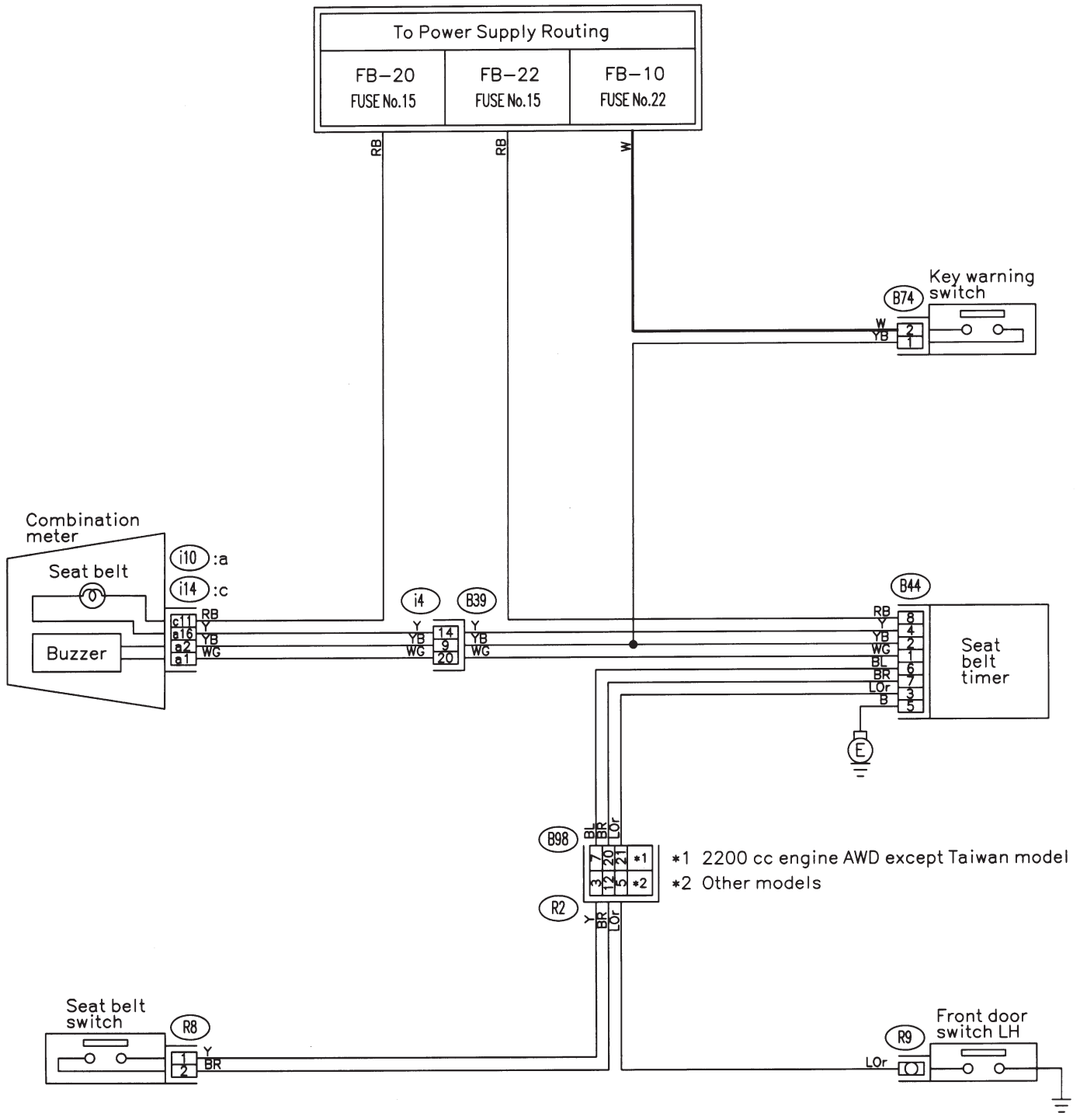
(i2)

(B30) (B101)



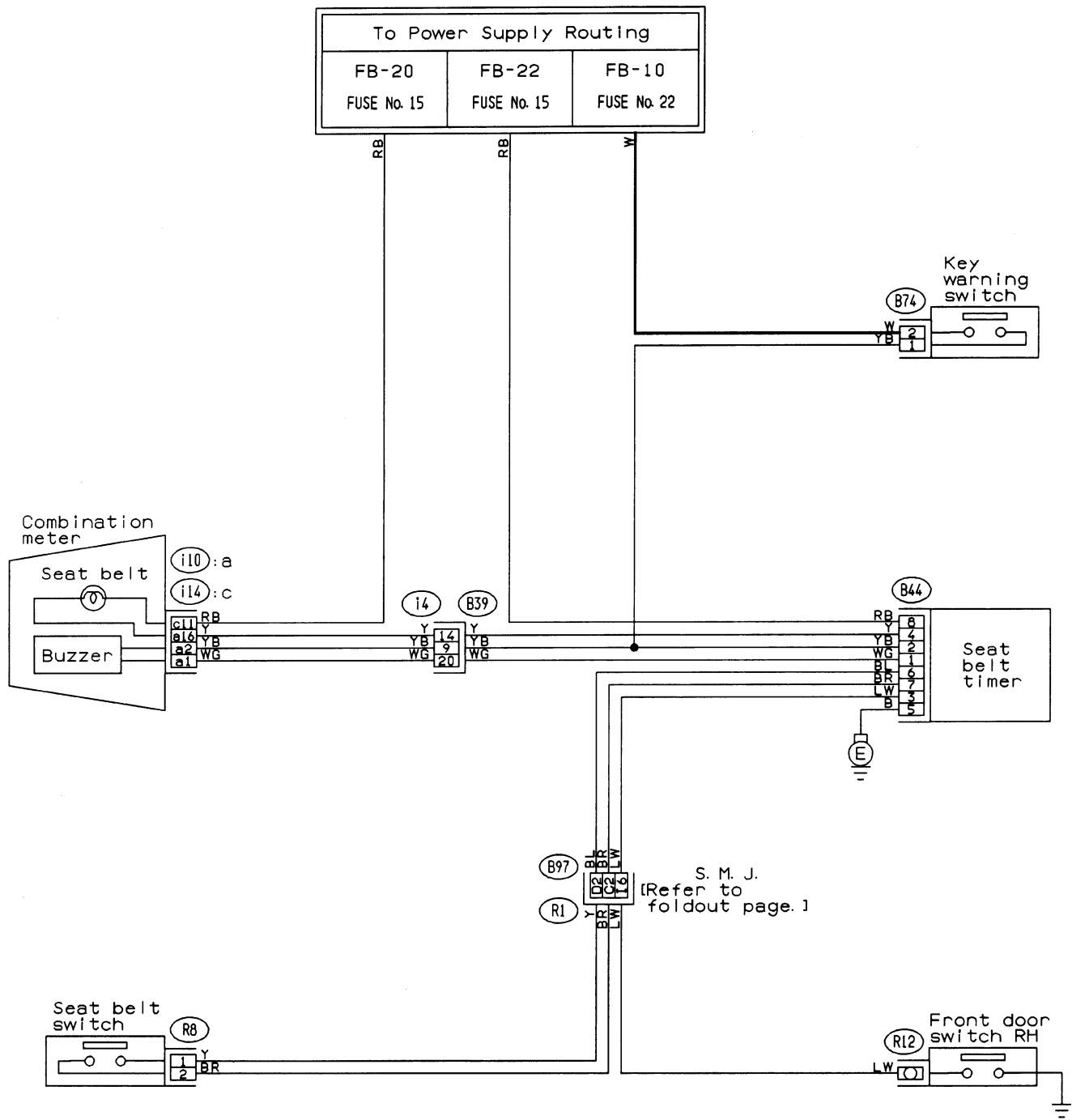
27. SEAT BELT WARNING SYSTEM

● LHD model



27. SEAT BELT WARNING SYSTEM

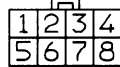
● RHD model



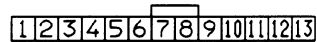
(R8) (B74) (Black)



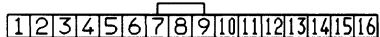
(B44)



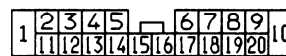
(i14)



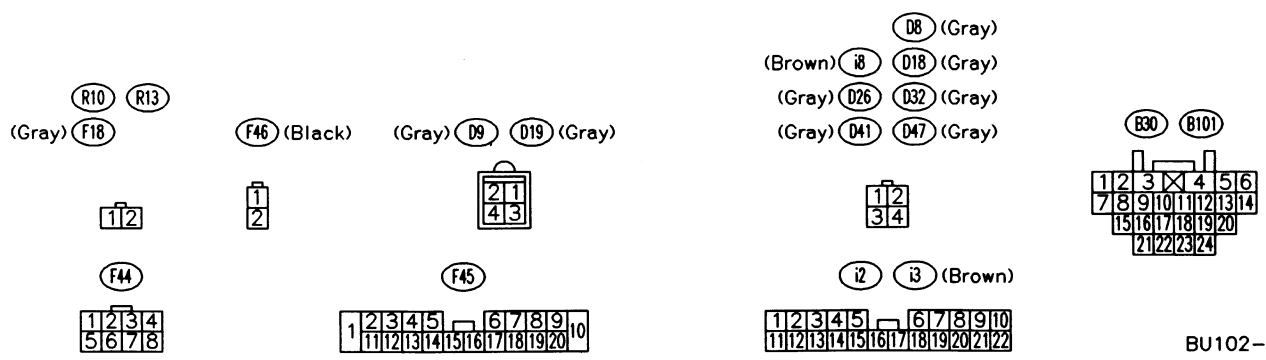
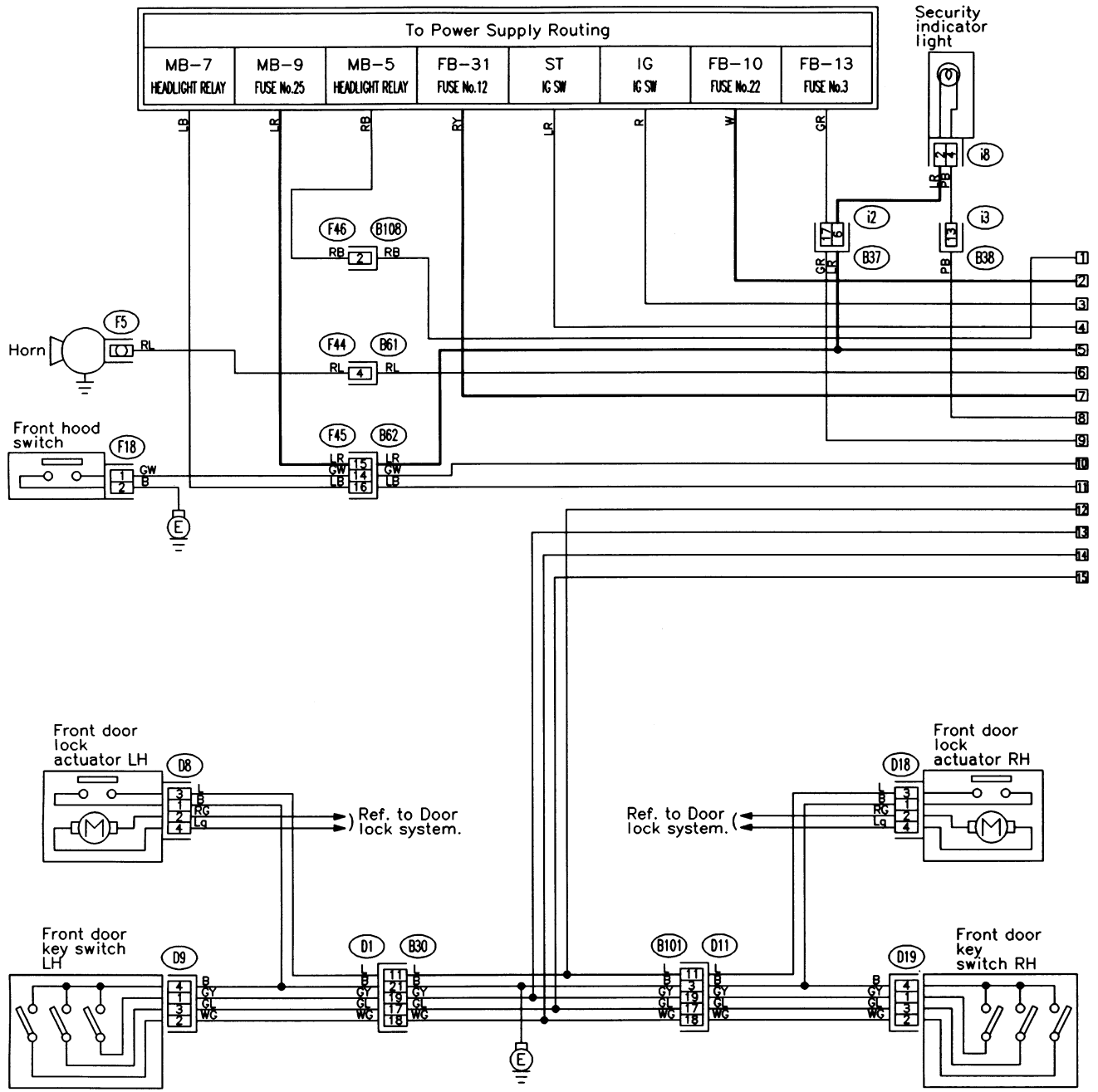
(i10) (Light gray)



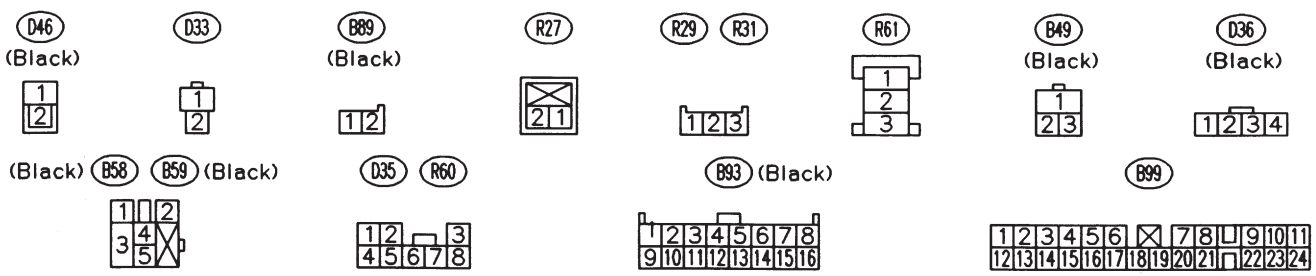
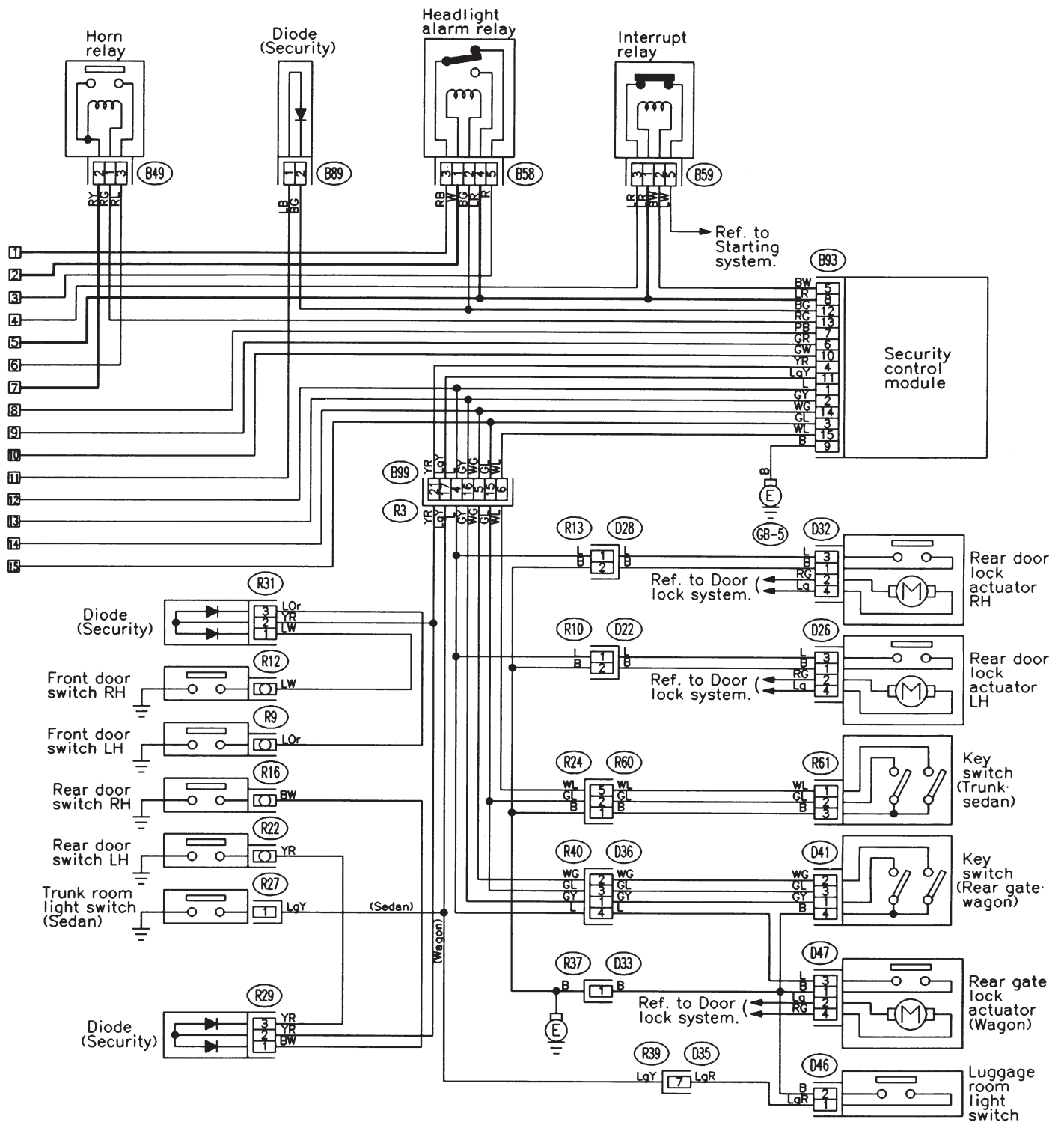
(i4) (Blue)



28. SECURITY SYSTEM

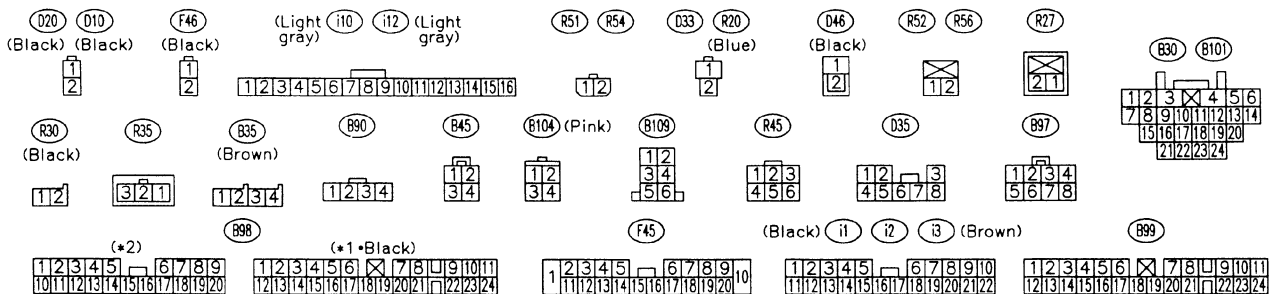
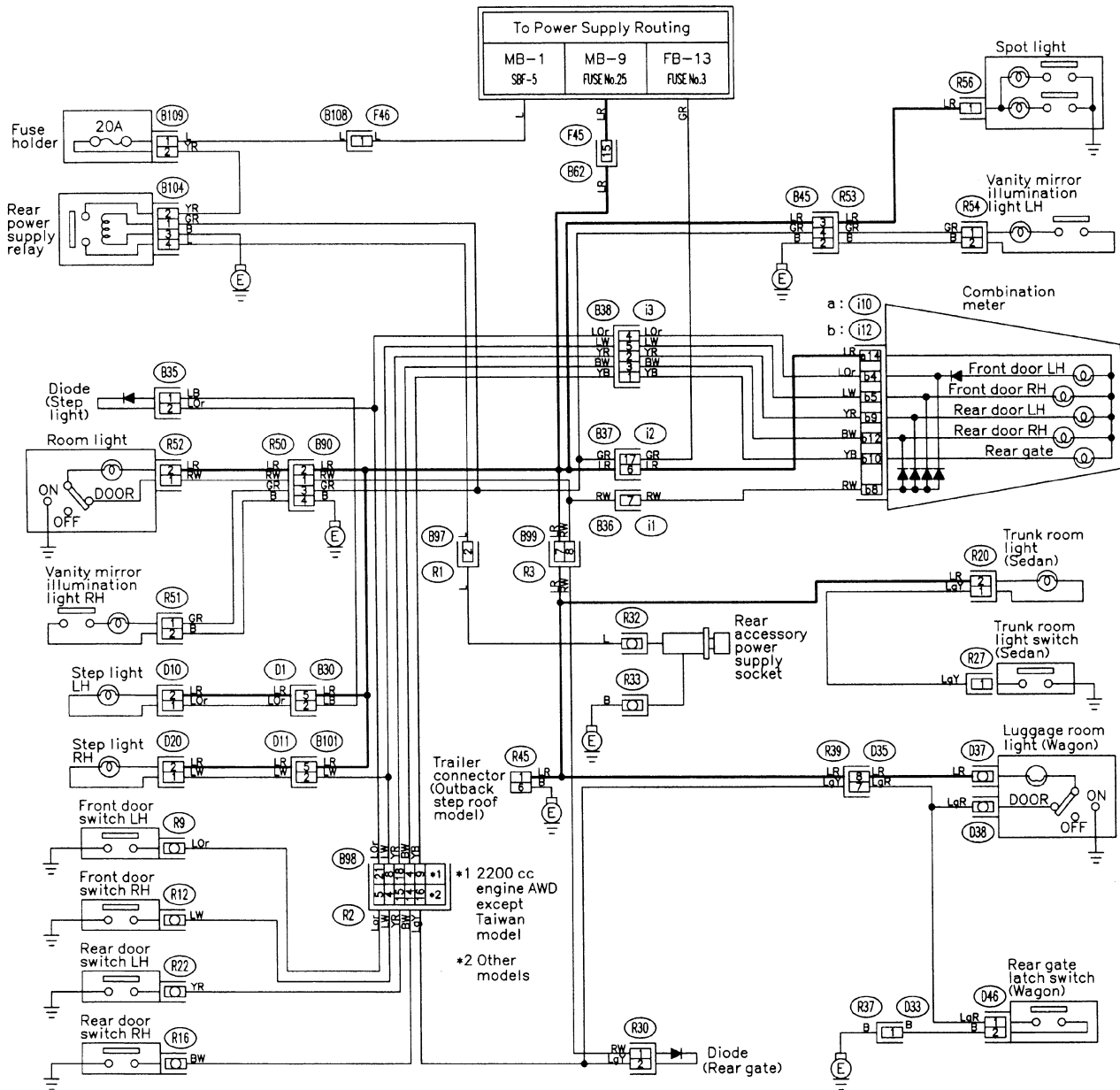


BU102-03A



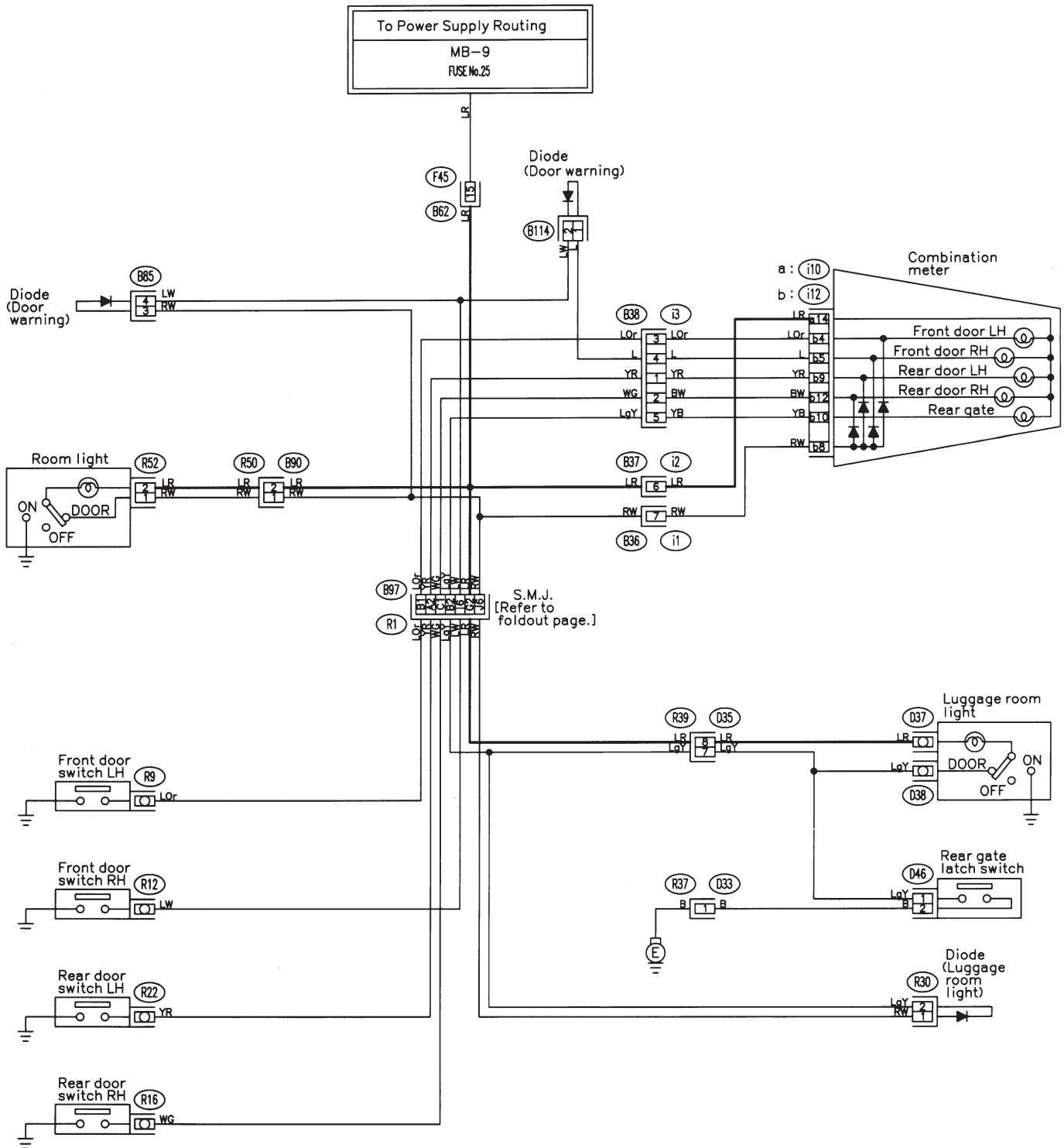
29. SPOT LIGHT, ROOM LIGHT, LUGGAGE AND TRUNK ROOM LIGHT SYSTEM

● LHD model



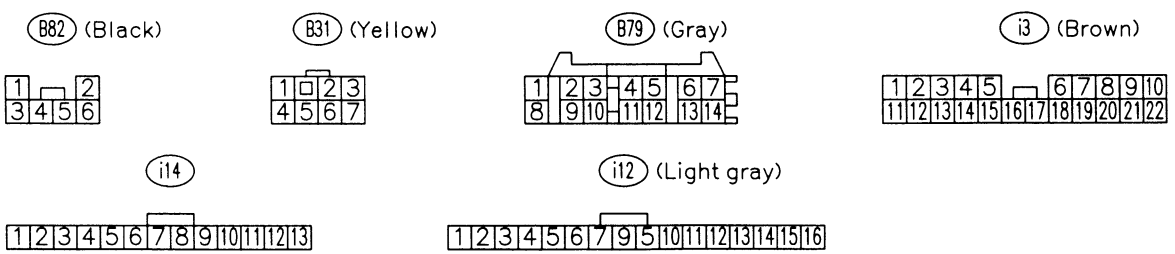
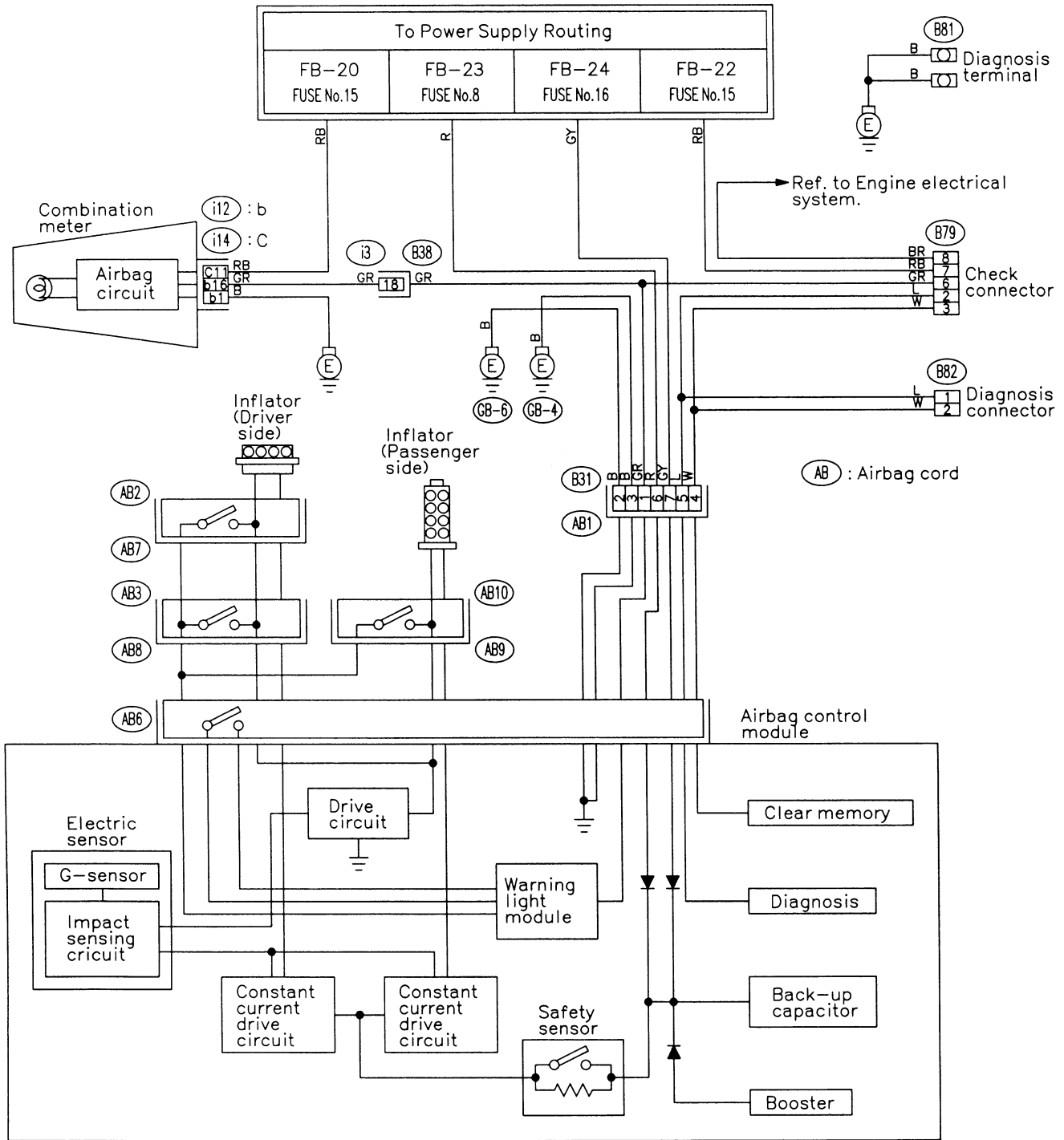
29. SPOT LIGHT, ROOM LIGHT, LUGGAGE AND TRUNK ROOM LIGHT SYSTEM

● RHD model



- (B114) (Black)
- (R30) (Black)
- (D33) (D39) (Green)
- (D46) (Black)
- (R52)
- (B85) (Brown)
- (D35)
- (Light gray) (i10) (i12) (Light gray)
- (F45)
- (Black) (i1) (i2)
- (B90) (Brown)
- (B99) (Brown)
- (B98) (Brown)
- (B97) (Brown)
- (B96) (Brown)
- (B95) (Brown)
- (B94) (Brown)
- (B93) (Brown)
- (B92) (Brown)
- (B91) (Brown)
- (B90) (Brown)
- (B89) (Brown)
- (B88) (Brown)
- (B87) (Brown)
- (B86) (Brown)
- (B85) (Brown)
- (B84) (Brown)
- (B83) (Brown)
- (B82) (Brown)
- (B81) (Brown)
- (B80) (Brown)
- (B79) (Brown)
- (B78) (Brown)
- (B77) (Brown)
- (B76) (Brown)
- (B75) (Brown)
- (B74) (Brown)
- (B73) (Brown)
- (B72) (Brown)
- (B71) (Brown)
- (B70) (Brown)
- (B69) (Brown)
- (B68) (Brown)
- (B67) (Brown)
- (B66) (Brown)
- (B65) (Brown)
- (B64) (Brown)
- (B63) (Brown)
- (B62) (Brown)
- (B61) (Brown)
- (B60) (Brown)
- (B59) (Brown)
- (B58) (Brown)
- (B57) (Brown)
- (B56) (Brown)
- (B55) (Brown)
- (B54) (Brown)
- (B53) (Brown)
- (B52) (Brown)
- (B51) (Brown)
- (B50) (Brown)
- (B49) (Brown)
- (B48) (Brown)
- (B47) (Brown)
- (B46) (Brown)
- (B45) (Brown)
- (B44) (Brown)
- (B43) (Brown)
- (B42) (Brown)
- (B41) (Brown)
- (B40) (Brown)
- (B39) (Brown)
- (B38) (Brown)
- (B37) (Brown)
- (B36) (Brown)
- (B35) (Brown)
- (B34) (Brown)
- (B33) (Brown)
- (B32) (Brown)
- (B31) (Brown)
- (B30) (Brown)
- (B29) (Brown)
- (B28) (Brown)
- (B27) (Brown)
- (B26) (Brown)
- (B25) (Brown)
- (B24) (Brown)
- (B23) (Brown)
- (B22) (Brown)
- (B21) (Brown)
- (B20) (Brown)
- (B19) (Brown)
- (B18) (Brown)
- (B17) (Brown)
- (B16) (Brown)
- (B15) (Brown)
- (B14) (Brown)
- (B13) (Brown)
- (B12) (Brown)
- (B11) (Brown)
- (B10) (Brown)
- (B9) (Brown)
- (B8) (Brown)
- (B7) (Brown)
- (B6) (Brown)
- (B5) (Brown)
- (B4) (Brown)
- (B3) (Brown)
- (B2) (Brown)
- (B1) (Brown)

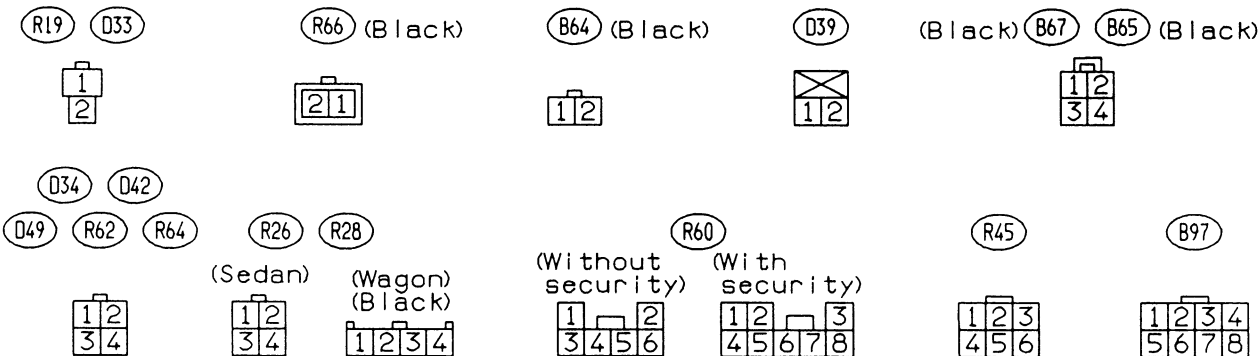
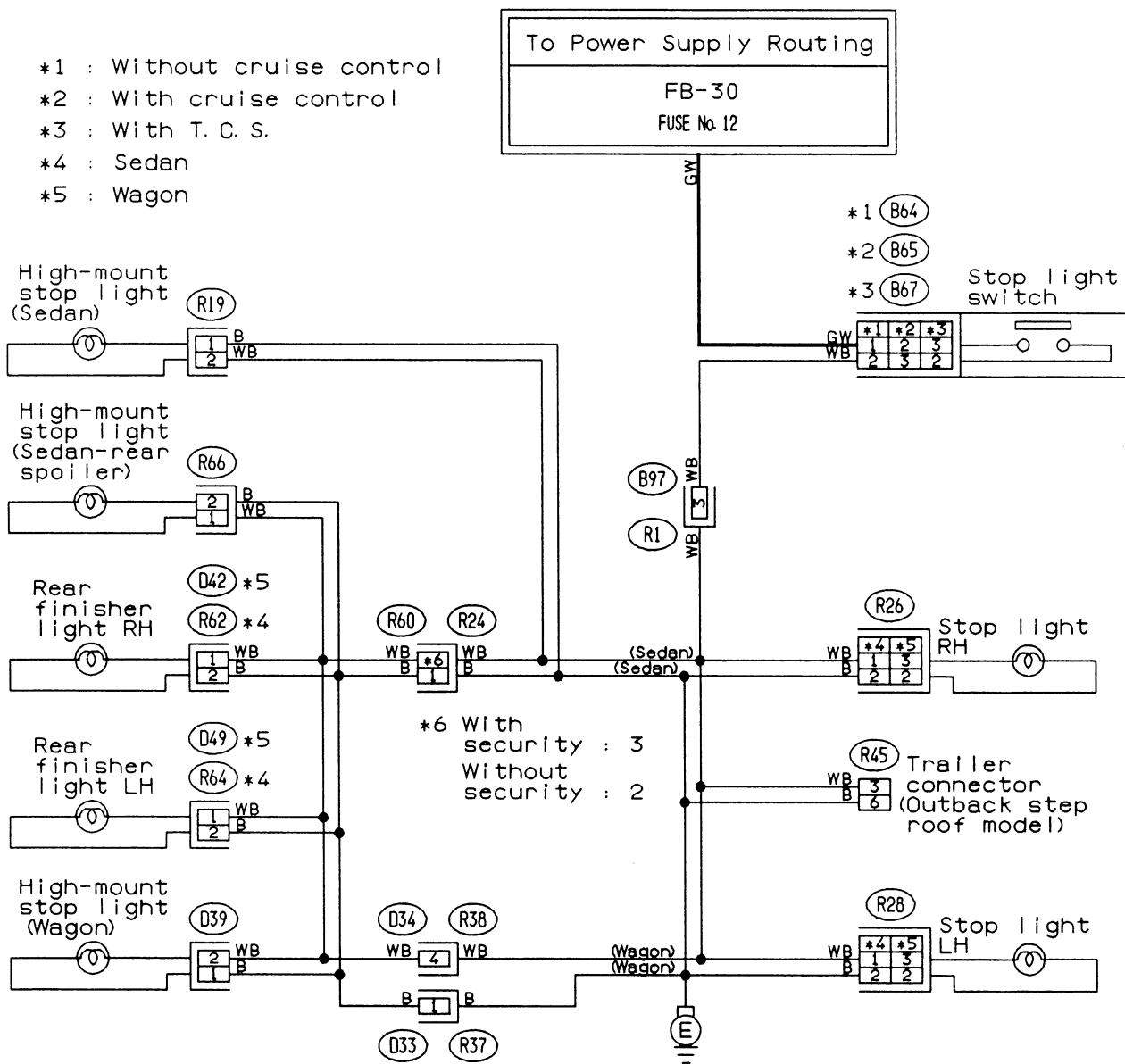
30. SRS (AIRBAG SYSTEM)



32. STOP LIGHT SYSTEM

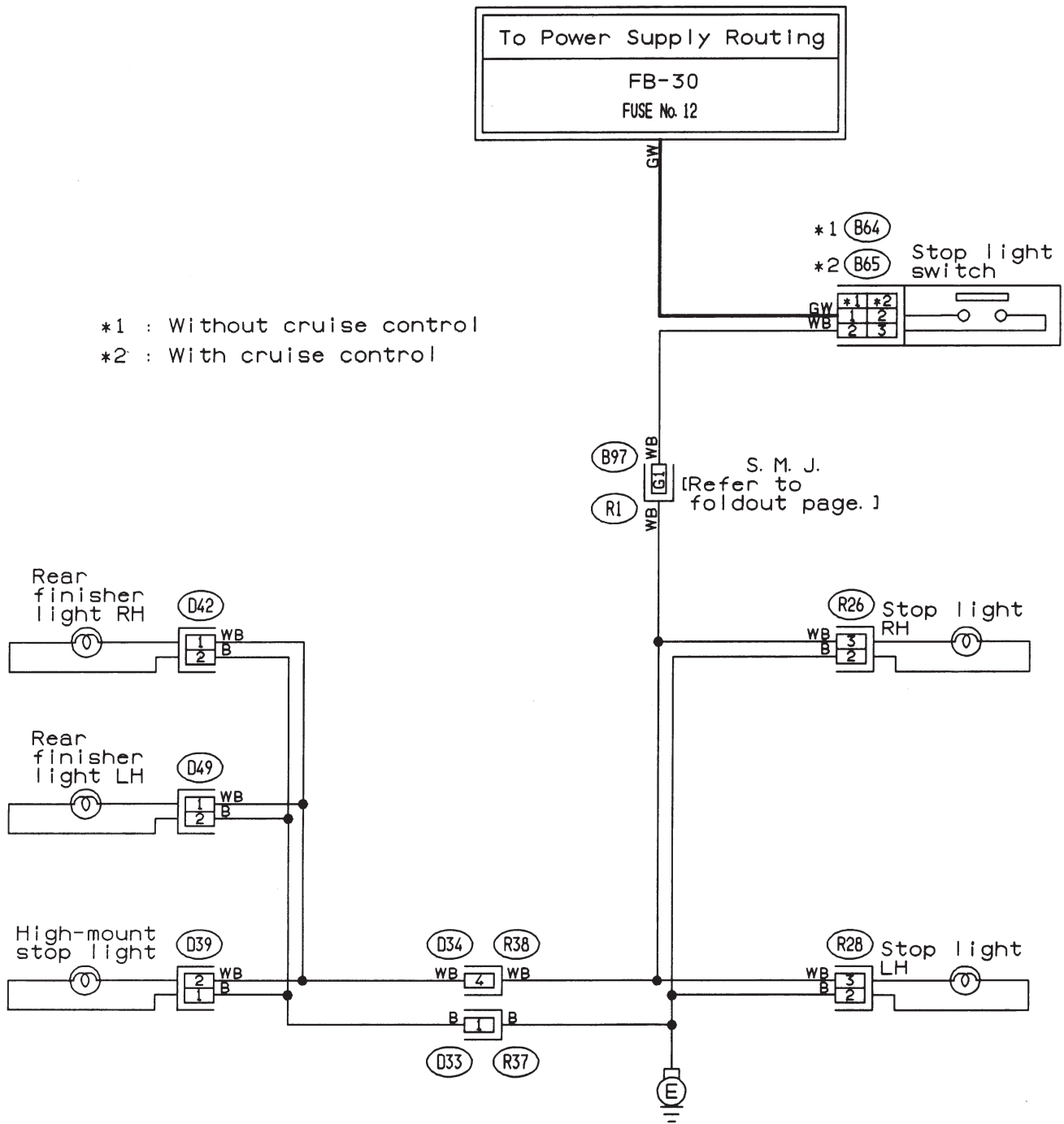
● LHD model

- *1 : Without cruise control
- *2 : With cruise control
- *3 : With T. C. S.
- *4 : Sedan
- *5 : Wagon

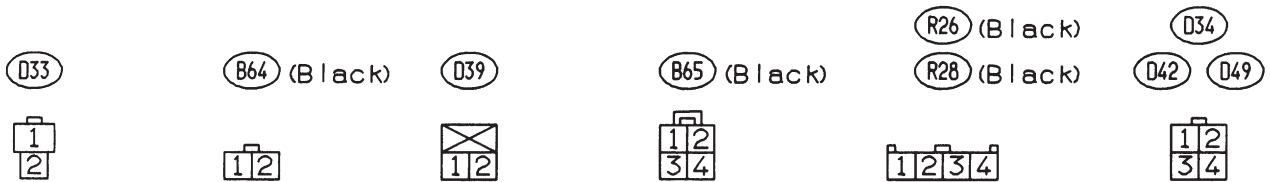


32. STOP LIGHT SYSTEM

● RHD model

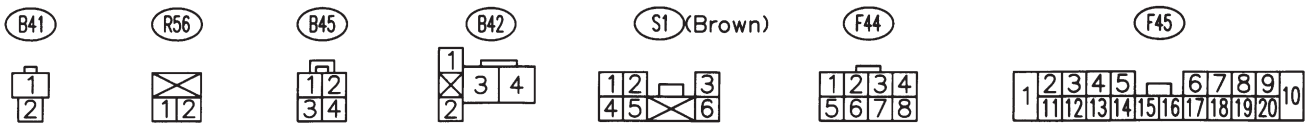
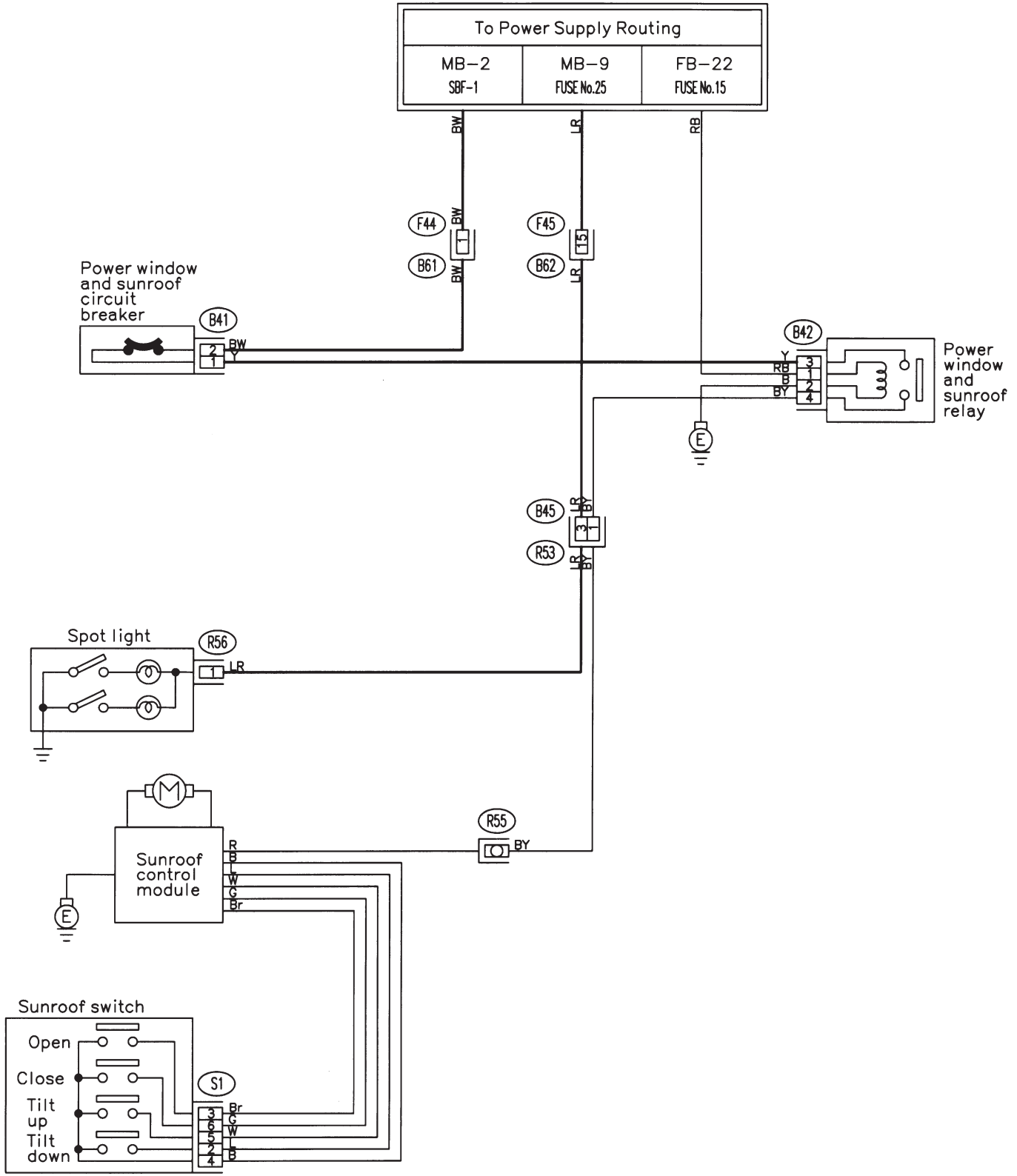


*1 : Without cruise control
*2 : With cruise control

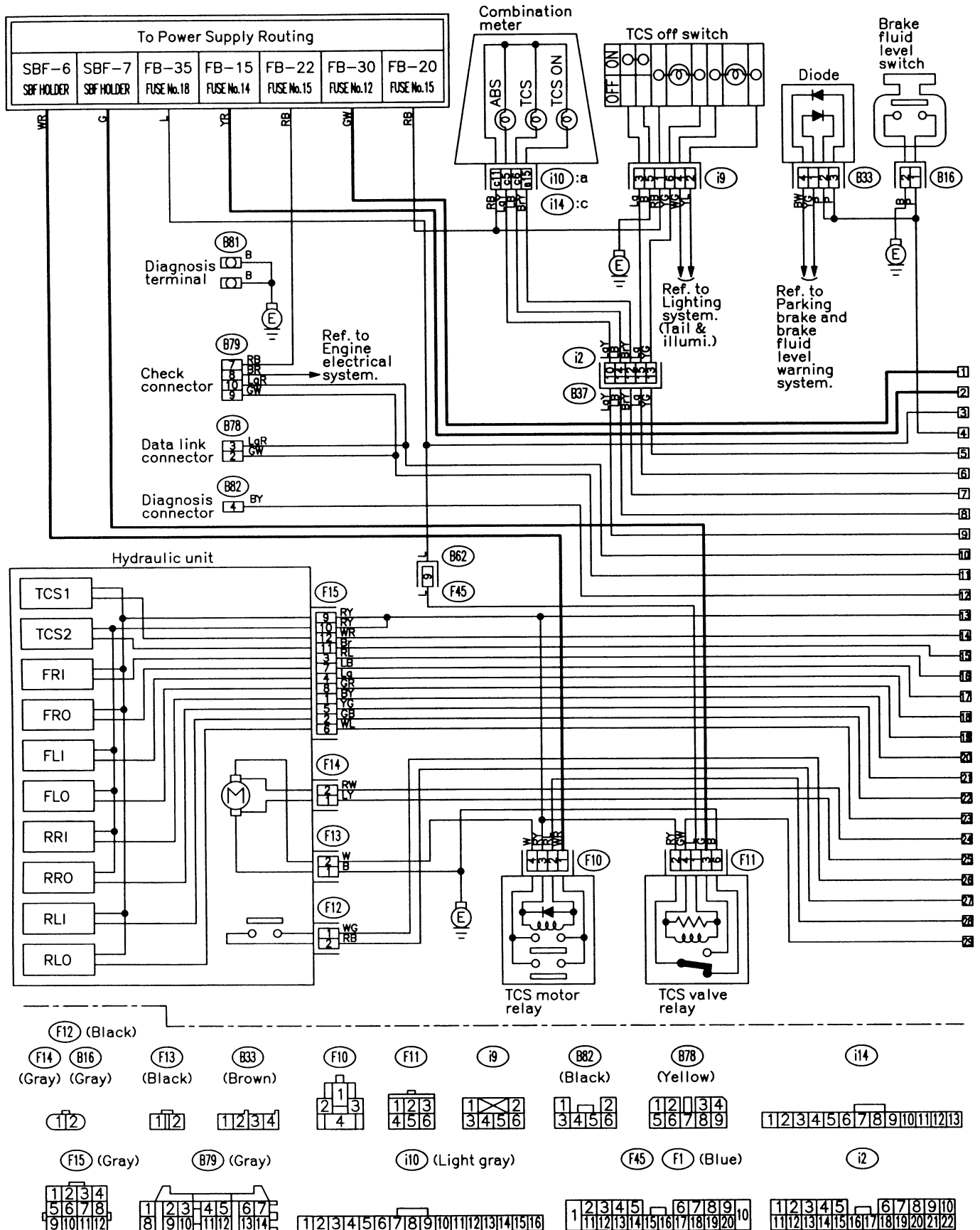


BUR25-01

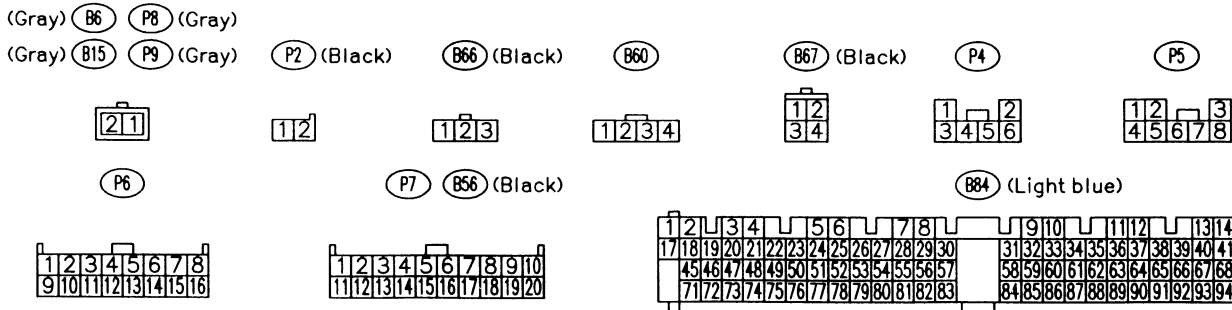
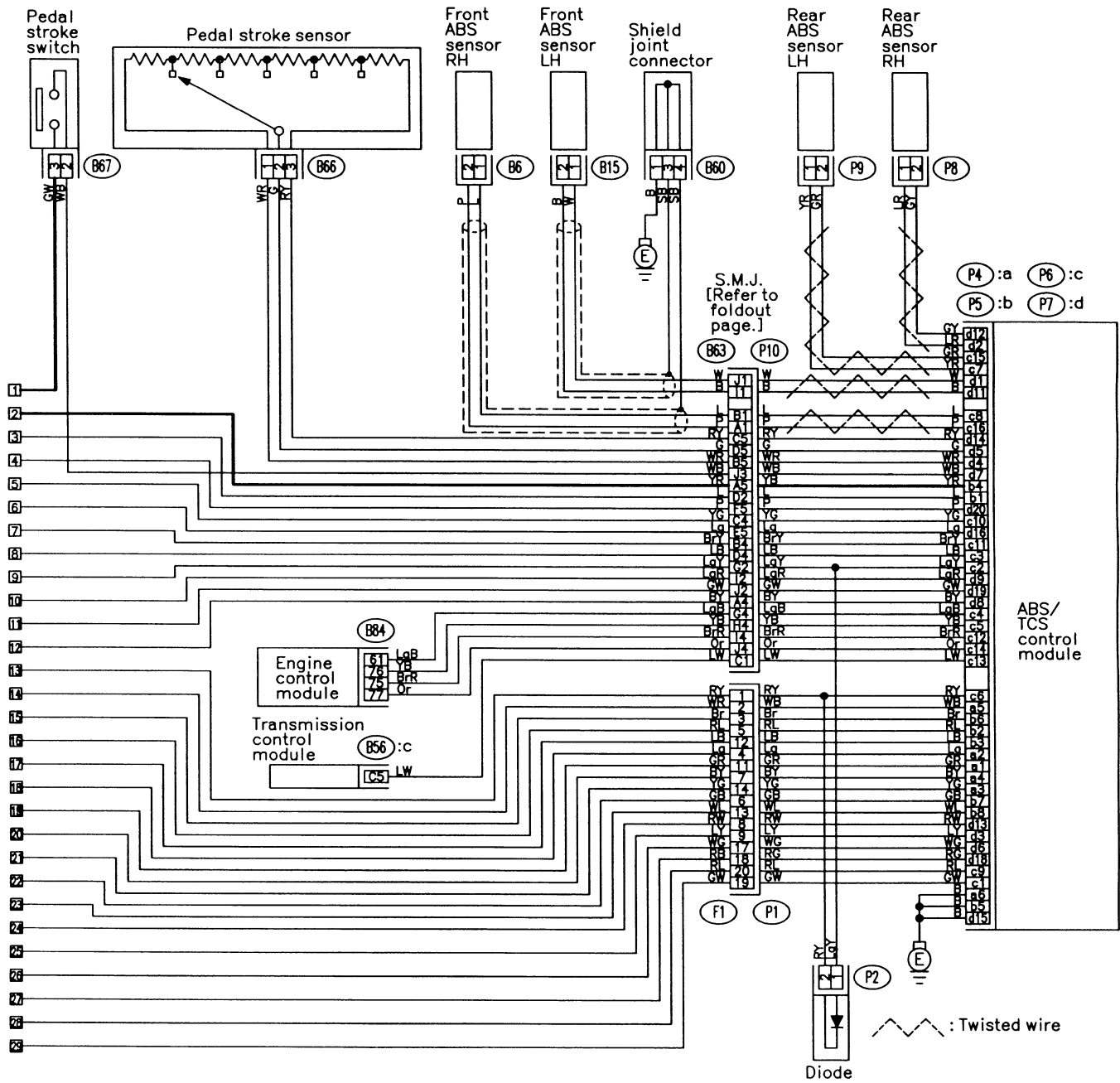
33. SUNROOF SYSTEM



34. TRACTION CONTROL SYSTEM

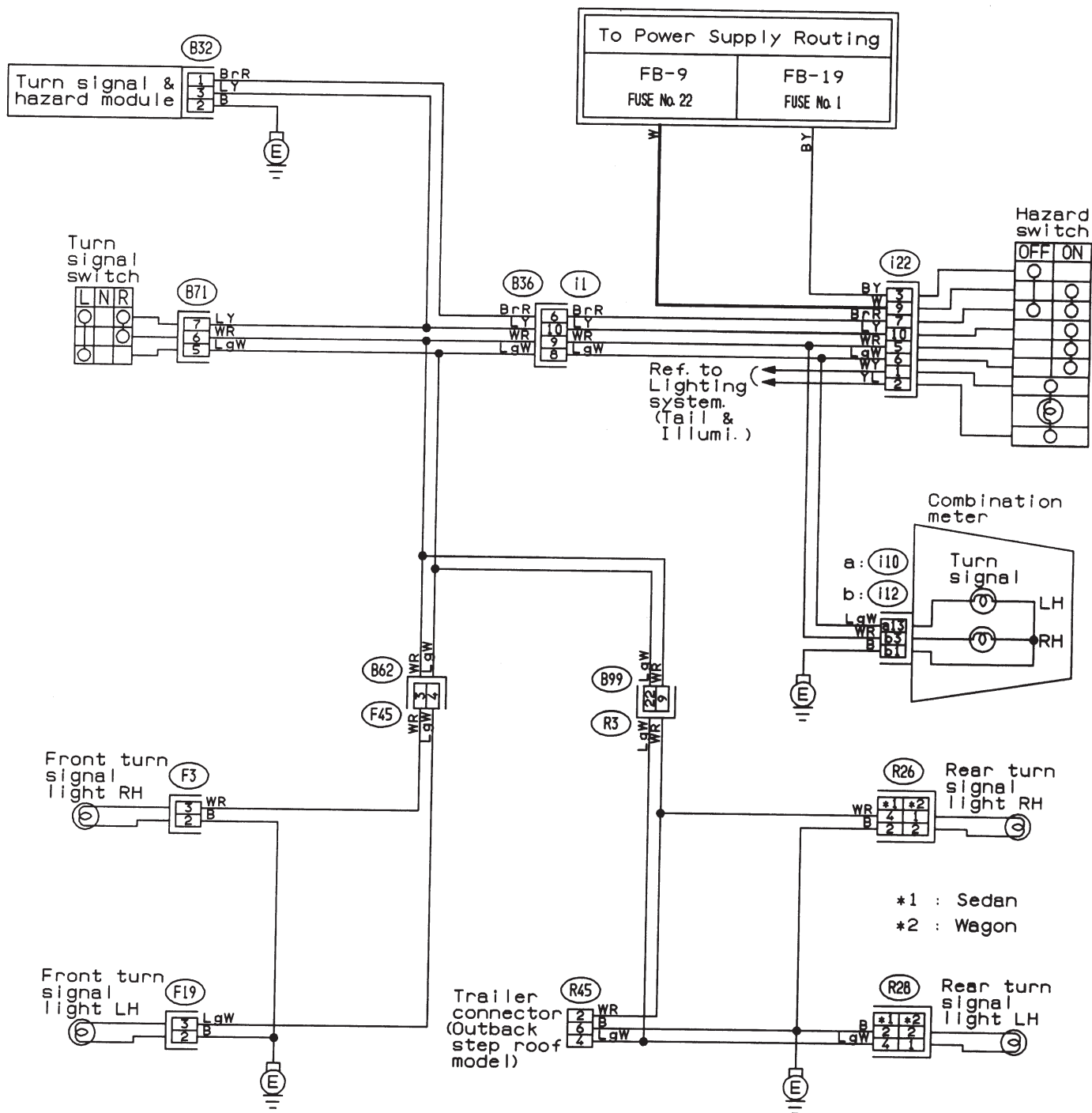


6. Wiring Diagram

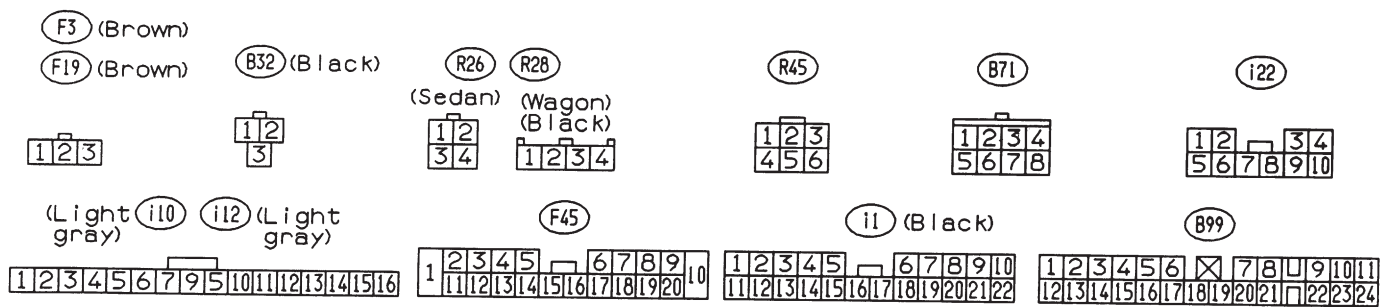


35. TURN SIGNAL AND HAZARD SYSTEM

● LHD model

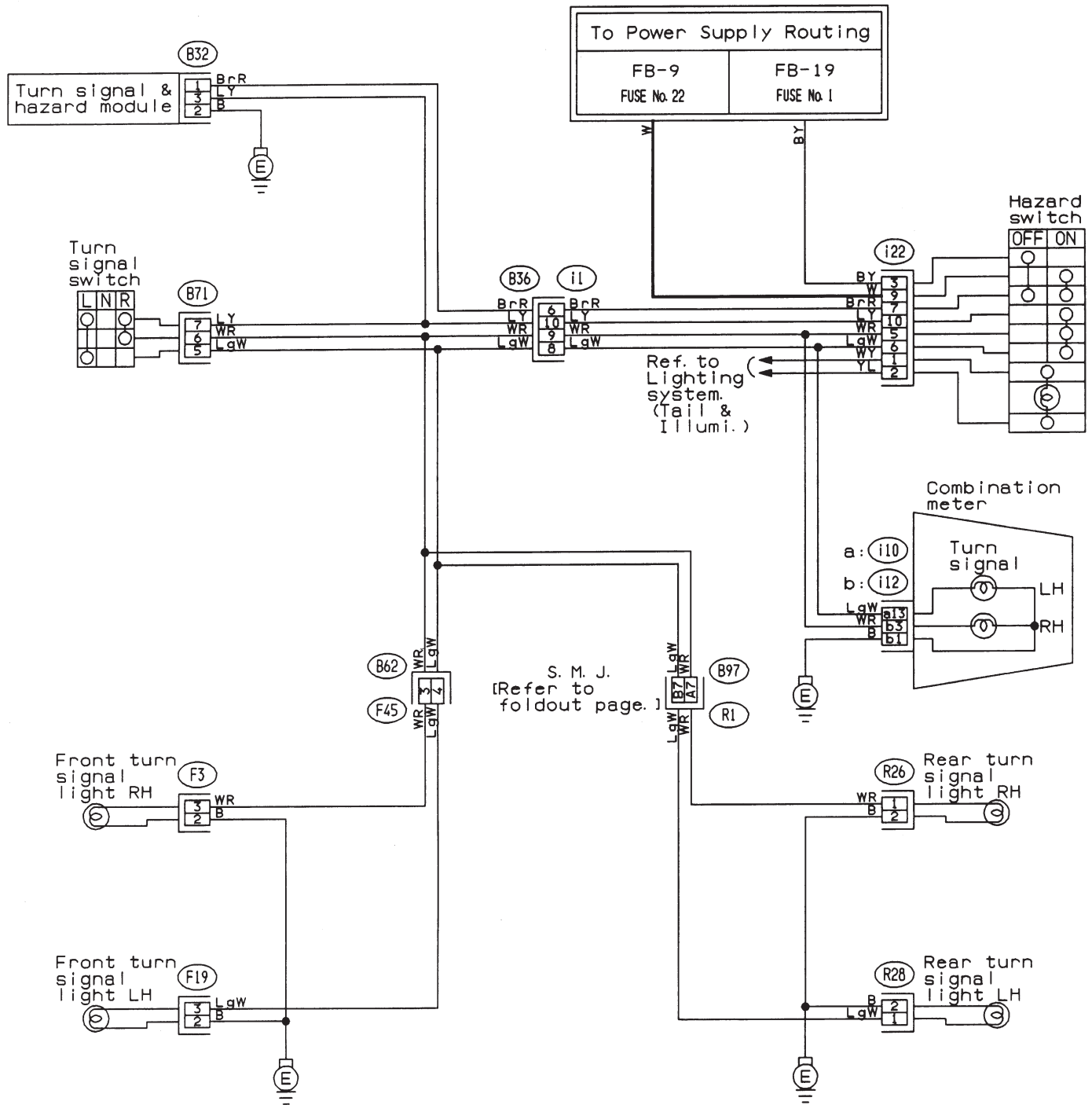


*1 : Sedan
*2 : Wagon



35. TURN SIGNAL AND HAZARD SYSTEM

● RHD model



F3 (Brown)

F19 (Brown)

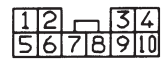
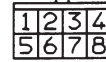
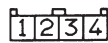
B32 (Black)

R26 (Black)

R28 (Black)

B71

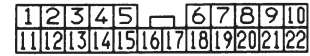
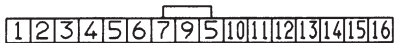
i22



(Light gray) i10 i12 (Light gray)

F45

i1 (Black)



36. SEAT HEATER SYSTEM

