

## **Interior equipment**

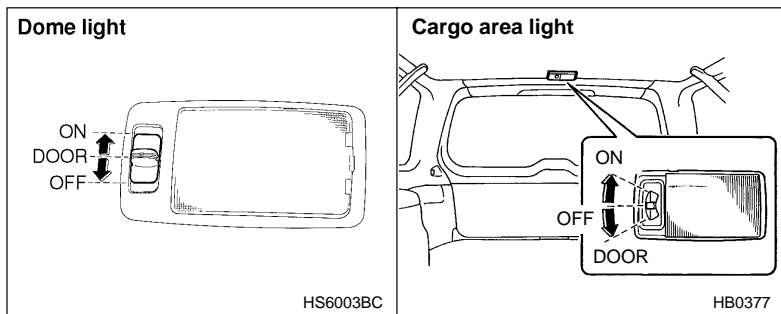
---

<b>Interior light</b> .....	<b>6-2</b>
<b>Dome/Rear map reading light (if equipped)</b> .....	<b>6-2</b>
<b>Spotlight (if equipped)</b> .....	<b>6-4</b>
<b>Sun visors</b> .....	<b>6-5</b>
<b>Vanity mirror (if equipped)</b> .....	<b>6-6</b>
<b>Storage compartment</b> .....	<b>6-6</b>
<b>Glove compartment</b> .....	<b>6-7</b>
<b>Center console</b> .....	<b>6-7</b>
<b>Coin tray</b> .....	<b>6-8</b>
<b>Overhead console (if equipped)</b> .....	<b>6-8</b>
<b>Cup holder</b> .....	<b>6-9</b>
<b>Cigarette lighter (if equipped)</b> .....	<b>6-11</b>
<b>Ashtray</b> .....	<b>6-12</b>
<b>Accessory power socket</b> .....	<b>6-13</b>
<b>Convenience hook</b> .....	<b>6-15</b>
<b>Floor mat (if equipped)</b> .....	<b>6-17</b>
<b>Luggage cover (if equipped)</b> .....	<b>6-17</b>
<b>Cargo anchorage eyelets (if equipped)</b> .....	<b>6-19</b>
<b>Storage tray (if equipped)</b> .....	<b>6-20</b>

---

## Interior light

---



The interior light switch has three positions:

**ON:** The light stays on continuously.

**DOOR:** Dome light — The light comes on only when any door is opened.  
Cargo area light (if equipped) — The light comes on only when the rear gate is opened.

**OFF:** The light stays off.

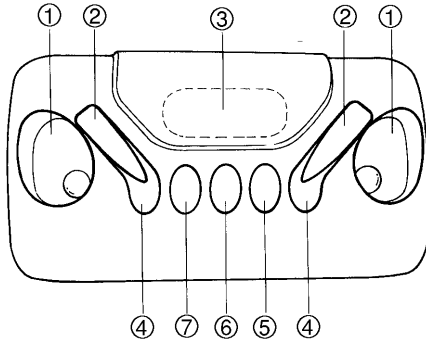
When leaving your vehicle, make sure the light is turned off to avoid battery discharge.

## Dome/Rear map reading light (if equipped)

---

### CAUTION

- Do not use excessive force or sharp objects to activate the switches.
- Do not spray cleaner directly on the dome light lens or the switches.
- Remove the lens and use a damp cloth to clean the switch surfaces.



HB6012BB

- |                           |               |
|---------------------------|---------------|
| ① Map light               | ⑤ OFF switch  |
| ② MAP light dimmer switch | ⑥ DOOR switch |
| ③ Main dome light         | ⑦ ON switch   |
| ④ MAP light ON/OFF switch |               |

### ▼ Dome light

**ON mode:** Pressing the "ON" switch ⑦ will turn on main dome light.

**DOOR mode:** Pressing the "DOOR" switch ⑥ will allow all three lights to fully illuminate when door is opened and then fade out once door is closed.

**OFF mode:** Pressing the "OFF" switch ⑤ will prevent all lights from illuminating when the door is opened.

### ▼ Rear map reading light

#### ▽ Turn ON or OFF

Press the "MAP ON/OFF" switch ④ once to turn on the map light at full intensity. Press a second time to turn it off.

#### ▽ Map light dimming

This area ② will vary the intensity of the map light depending on which dimming zone area is pressed.

– CONTINUED –

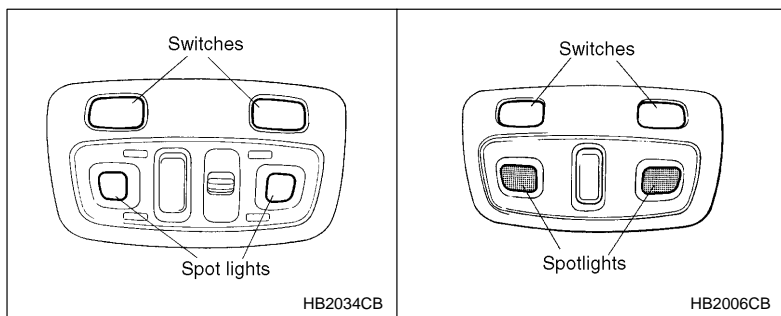
---

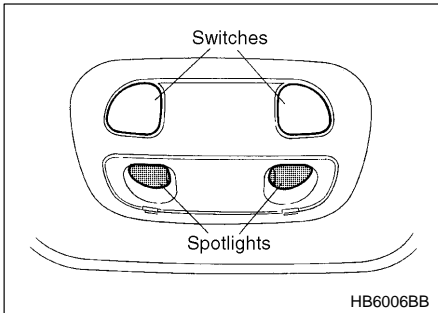
## NOTE

- The switch color will change to indicate position setting. *Green* indicates current switch while the other switches will be *Red*. (Map light switches will be *Yellow* regardless of setting).
- Switch indicator lights will shut off when not in use, but will come back on when any switches are touched.
- The light assembly is equipped with a time delayed-off feature. The lights will remain on for a few seconds after all vehicle doors are closed.
- If a map light is in use and the door is opened, the map light will maintain its current setting even after the door is closed.
- The light assembly is equipped with a 1 hour *sleep mode* timer that will turn off any light that may be accidentally left on. Touching any switch will *reactivate the unit* and allow for continued operation.

## Spotlight (if equipped)

---

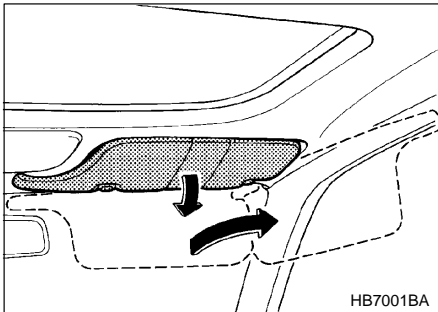




To turn on the spotlight, push the switch. To turn it off, push the switch again.

When leaving the vehicle, make sure the light is turned off to avoid battery discharge.

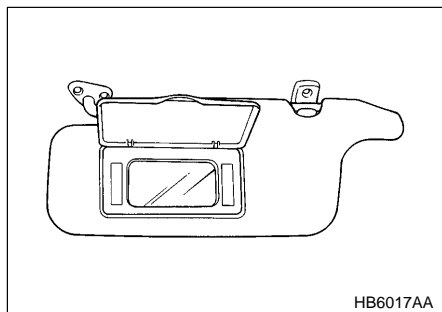
## Sun visors



To block out glare, swing down the visors. To use the sun visor at a side window, swing it down and move it sideways.

---

## ■ Vanity mirror (if equipped)



To use the vanity mirror, swing down the sunvisor and open the vanity mirror cover.

### ▼ Vanity mirror with light (if equipped)

The light beside the vanity mirror comes on when the ignition switch is either in the "ACC" or "ON" position and the mirror cover is opened.

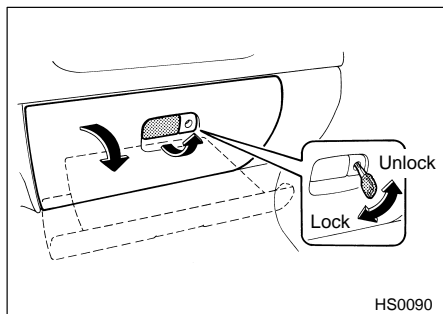
## Storage compartment

---

### CAUTION

- Always keep the storage compartment closed while driving to reduce the risk of injury in the event of sudden stops or an accident.
- Do not store spray cans, containers with flammable or corrosive liquids or any other dangerous items in the storage compartment.

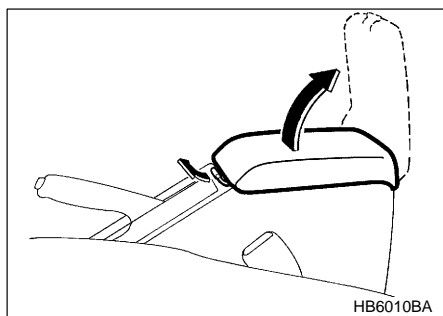
## ■ Glove compartment



To open the glove compartment, pull the handle. To close it, push the lid firmly upward.

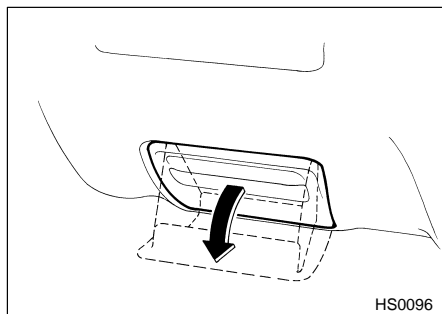
To lock the glove compartment, insert the key and turn it clockwise.

## ■ Center console



To open the lid, pull up the lock release.

## ■ Coin tray

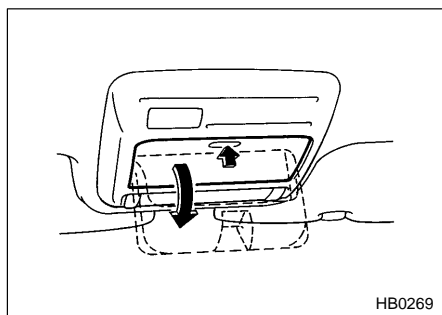


To open the coin tray, pull the upper edge of the lid.

## ■ Overhead console (if equipped)

### CAUTION

When your vehicle is parked in the sun or a warm day, the inside of the overhead console heats up. Avoid storing plastic or other heat-vulnerable or flammable articles such as a lighter in the overhead console.



To open the console, push on the lid lightly and it will automatically open.



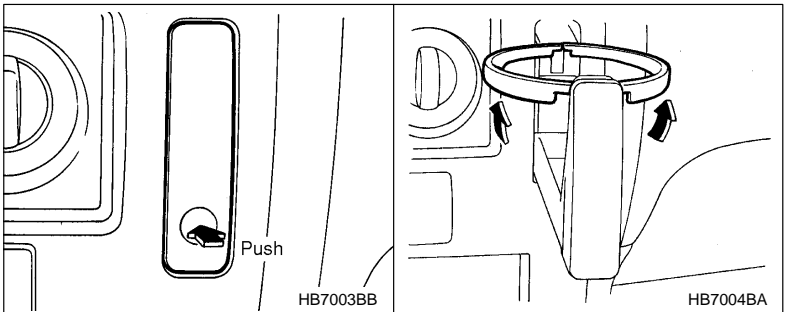
## Cup holder

### CAUTION

- When not in use, always keep the holder stored while driving to reduce the risk of injury in the event of a sudden stop or an accident.
- Do not pick up a cup from the cup holder or put a cup in the holder while you are driving, as this may distract you and lead to an accident.
- Take care to avoid spills. Beverages, if hot, might burn you or your passengers. Spilled beverages may also damage upholstery, carpets or audio equipment.

#### ▼ Front cup holder

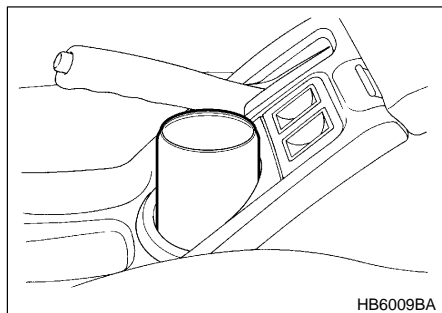
##### ▽ In instrument panel



The cup holder is located beside the climate control panel. To use the cup holder, push on the its front surface and it will automatically pop out. Then pull it out completely.

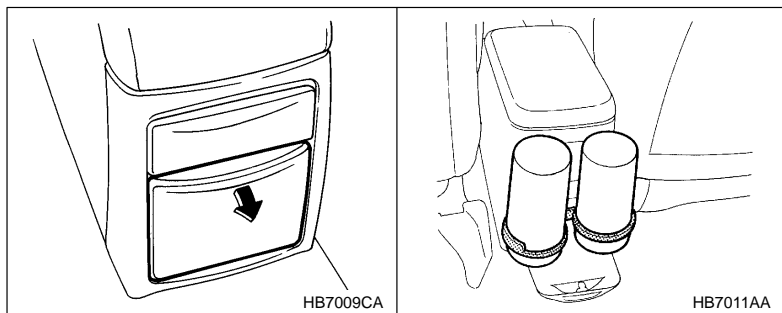
---

▽ In center console



The front passenger's cup holder is built in the center console, beside the parking brake lever.

▼ Rear passenger's cup holder (if equipped)

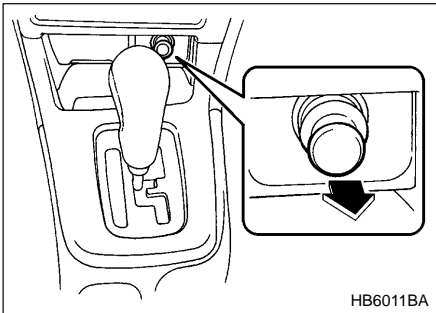


The rear passenger's cup holder is located on the lower side of the back of the center console. To use the cup holder, open the lid by pulling its upper edge.

## Cigarette lighter (if equipped)

### CAUTION

The electrical power socket located on the lower part of the instrument panel is designed to use only a SUBARU genuine cigarette lighter plug. Do not use non-genuine cigarette lighter plugs or any “plug-in” type electrical accessories in the socket. Doing so may cause a short-circuit and overheating, resulting in a fire.



The electrical power socket located on the lower part of the instrument panel can only be used as cigarette lighter socket. A cigarette lighter plug is an optional accessory. It is available from your SUBARU dealer. If smoking is not desired, always put the cap on the socket to prevent any foreign object from entering it.

### ▼ Cigarette lighter (if equipped)

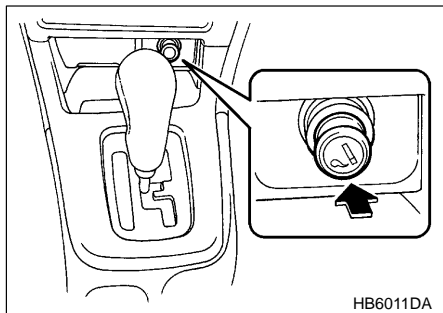
### WARNING

To avoid being burned, never grasp the lighter by the end with the heating element. Doing so could result in injury and could also damage the heating element.

### CAUTION

Do not hold the lighter pushed in, because it will overheat.

– CONTINUED –



The cigarette lighter operates only when the ignition switch is in the "ON" and "ACC" positions.

To use the cigarette lighter, push in the knob and wait a few moments. It will automatically spring up when ready for use.

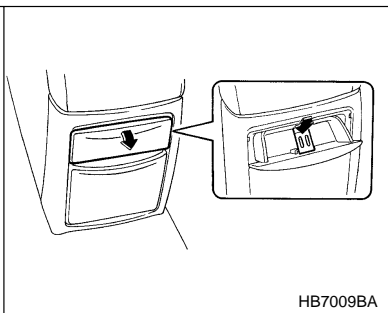
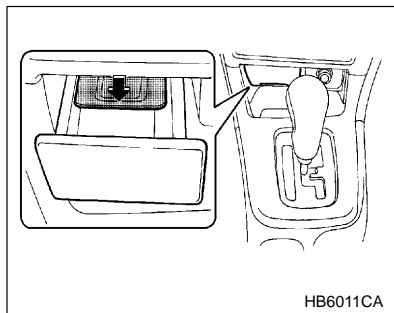
## Ashtray



### CAUTION

**Do not use ashtrays as waste receptacles or leave a lighted cigarette in an ashtray. This could cause a fire.**

Fully close the ashtray after using it to help reduce residual smoke.



▼ **Front ashtray**

To open the ashtray, pull the lid out.

▼ **Rear ashtray**

The rear ashtray is located on the upper side of the back of the center console. To open the ashtray, pull the upper edge of the lid.

To remove the ashtray for cleaning, open it and pull it out while pushing the inner plate down.

---

## Accessory power socket

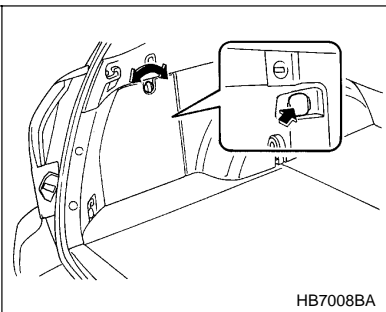
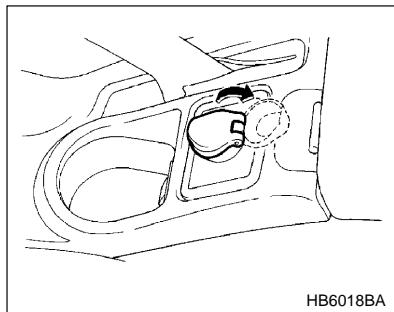
▼ **In the luggage compartment (if equipped) and on the center console (if equipped)**



### **CAUTION**

- Do not attempt to use a cigarette lighter in the accessory power socket.
- Do not place any foreign objects, especially metal ones such as coins or aluminum foil, into the accessory power socket. That could cause a short circuit. Always put the cap on the accessory power socket when they are not in use.
- Use only electrical appliances which are designed for 12V DC and which consume less than 120W. Overloading the accessory power socket can cause a short circuit. Do not use double adapters or more than one electrical appliance.
- If the plug on your electric appliance is either too loose or too tight for the accessory power socket, this can result in a poor contact or cause the plug to get stuck. Only use plugs that fit properly.
- Use of an electric appliance in the accessory power socket for a long period of time while the engine is not running can cause battery discharge.
- Before driving your vehicle, make sure that the plug and the cord on your electrical appliance will not interfere with your shifting gears and operating the accelerator and brake pedals. If they do, do not use the electrical appliance while driving.

– CONTINUED –



Electrical power (12V DC) from the battery is on tap at the socket when the ignition switch is either in the "ACC" or "ON" position. You can use an in-car use electrical appliance by connecting it to the socket.

▼ **Electrical power socket located on the lower part of the instrument panel**

**⚠ CAUTION**

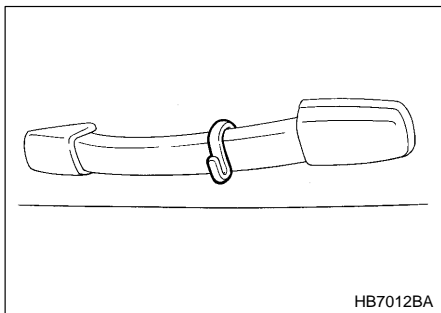
The electrical power socket located on the lower part of the instrument panel is designed to use only a SUBARU genuine cigarette lighter plug. Do not use non-genuine cigarette lighter plugs or any "plug-in" type electrical accessories in the socket. Doing so may cause a short-circuit and overheating, resulting in a fire. Refer to the "Cigarette lighter" section in this chapter.

## Convenience hook

### ▼ Coat hook

#### **CAUTION**

Never hang anything on the coat hook that might obstruct the driver's view or that could cause injury in sudden stops or in a collision. And do not hang items on the coat hook that weigh 2.2 lb (1 kg) or more.

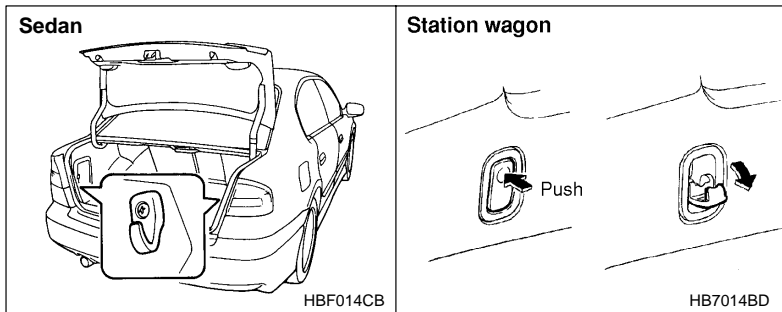


The coat hook is attached to each rear passenger's hand grip.

### ▼ Shopping bag hook

#### **CAUTION**

Do not hang items on the shopping bag hook that weigh 2.2 lb (1 kg) or more.



▽ **For sedan models**

A shopping bag hook is attached to each inner side wall of the trunk near the trunk lid opening.

▽ **For station wagon models**

A shopping bag hook is attached to each side of the cargo area.

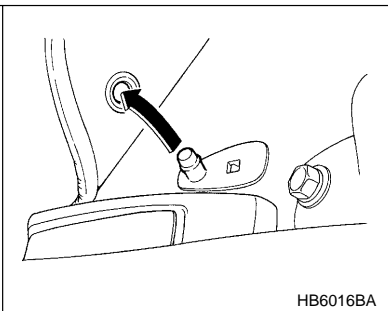
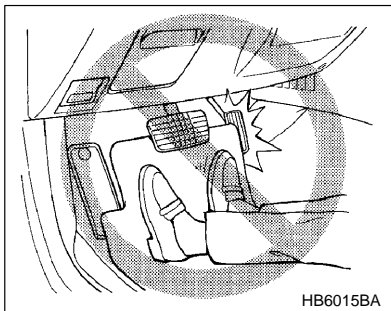
To use the hook, push the upper portion and the shopping bag hook will appear.



## Floor mat (if equipped)

### CAUTION

Make sure the driver's floor mat is placed back in its proper location and correctly secured on its retaining pin. If the floor mat slips forward and interferes with the movement of the pedals during driving, it could cause an accident.



A retaining pin is located on the driver's side of the vehicle next to the fuel filler door release. The floor mat is secured using the built-in grommet, by placing the grommet over the pin and pushing downward.

## Luggage cover (if equipped)

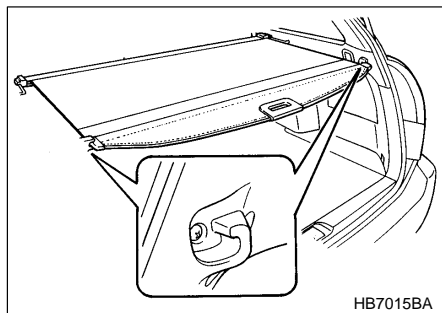
### WARNING

Do not place anything on the extended cover. Putting excessive weight on the extended cover can break it and an object on the cover could tumble forward in the event of a sudden stop or collision. This could cause serious injury.

The luggage cover is provided for covering the cargo area and to protect its contents from direct sunlight. This cover is detachable to make room for additional cargo.

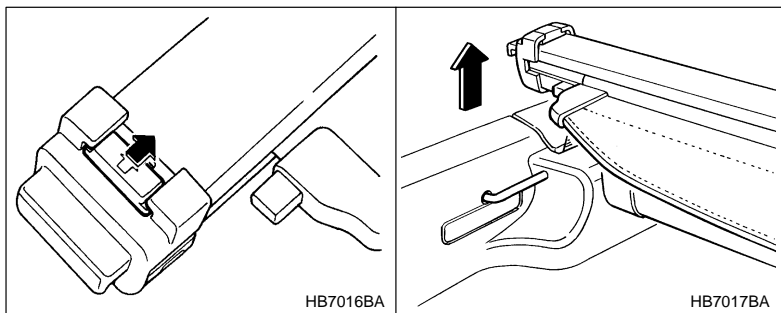
– CONTINUED –

## ▼ Using the cover



To extend the cover, pull the end of the cover out of the housing, then insert its hooks into the catches as shown. To rewind it, unhook it from the catches and it will rewind automatically. You should hold on to the cover and guide it back into the cover housing while it is rewinding.

## ▼ To remove the cover



1. Rewind the cover.
2. To take it off the cover rails, lift it out while pressing the release knobs located both sides of the cover housing.
3. Store the cover in the cargo area.

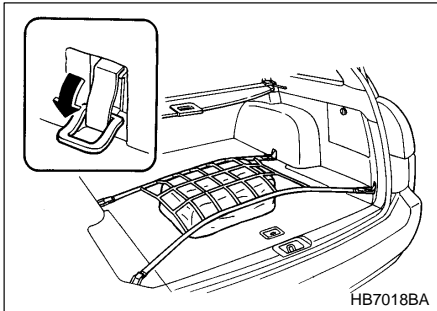
To install the cover:

Hang the both ends of the cover housing on the cover rails. Make sure that the cover is mounted securely by pulling it up.

## Cargo anchorage eyelets (if equipped)

### CAUTION

The cargo anchorage eyelets are designed only for securing light cargo. Never try to secure cargo that exceeds the capacity of the hooks. The maximum load capacity is 44 lb (20 kg) per eyelet.



The cargo area is equipped with four anchorage eyelets so that cargo can be secured with a luggage net or ropes.

When using the anchorage eyelets, turn them down out of the storing recesses. When not in use, put the eyelets up into the storing recesses.

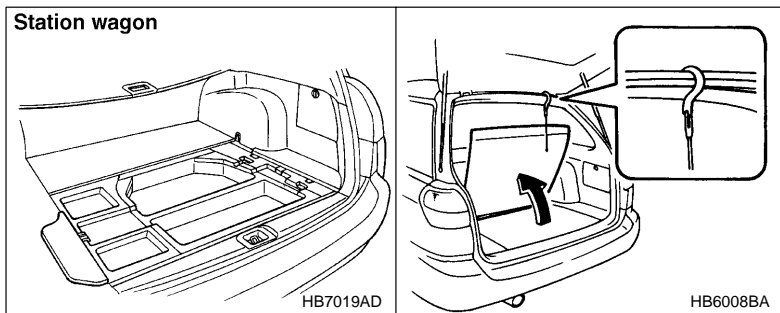
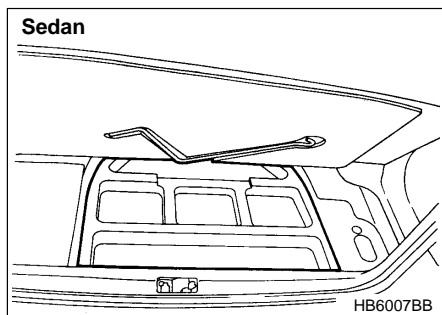
---

## Storage tray (if equipped)

---

### CAUTION

- Always keep the lid of the storage tray closed while driving to reduce the risk of injury in the event of sudden stop or an accident.
- Do not store spray cans, containers with flammable or corrosive liquids or any other dangerous items in the storage tray.



The storage tray is located under the floor of the trunk or cargo area and can be used to store small items. To open the lid, pull the tab or handle up.

**Station wagon:** Hang the hook provided on the underside of the lid on the rear edge of the roof to keep the lid open.

**NOTE**

**When storing a flat tire, put the storage tray in the trunk or cargo area.**