

**SUPPLEMENT FOR 6 CYLINDER
ENGINE MODEL**

This service manual has been prepared to provide SUBARU service personnel with the necessary information and data for the correct maintenance and repair of SUBARU vehicles.

This manual includes the procedures for maintenance, disassembling, reassembling, inspection and adjustment of components and diagnostics for guidance of experienced mechanics.

Please peruse and utilize this manual fully to ensure complete repair work for satisfying our customers by keeping their vehicle in optimum condition. When replacement of parts during repair work is needed, be sure to use SUBARU genuine parts.

All information, illustration and specifications contained in this manual are based on the latest product information available at the time of publication approval.

FOREWORD**FW****HOW TO USE THIS MANUAL****HU****SPECIFICATIONS****SPC****PRECAUTION****PC****NOTE****NT****IDENTIFICATION****ID****RECOMMENDED MATERIALS****RM****PRE-DELIVERY INSPECTION****PI****PERIODICAL MAINTENANCE****PM**

**SUPPLEMENT FOR 6 CYLINDER
ENGINE MODEL****FUEL INJECTION (FUEL SYSTEMS) FU(H6)****EMISSION CONTROL
(AUX. EMISSION CONTROL DEVICES) EC(H6)****INTAKE (INDUCTION) IN(H6)****MECHANICAL ME(H6)****EXHAUST EX(H6)****COOLING CO(H6)****LUBRICATION LU(H6)****SPEED CONTROL SYSTEMS SP(H6)****IGNITION IG(H6)****START/CHARGING SYSTEMS SC(H6)****ENGINE (DIAGNOSTICS) EN(H6)****REAR SUSPENSION RS****WIRING SYSTEM WI**

WIRING SYSTEM



	Page
1. Basic Diagnostics Procedure	3
2. Working Precautions	13
3. Super Multiple Junction (SMJ)	14
4. Power Supply Routing.....	17
5. Ground Distribution	32
6. Airbag System	41
7. Air Conditioning System.....	45
8. Anti-lock Brake System.....	66
9. A/T Control System	73
10. Audio System	95
11. Charging System.....	100
12. Combination Meter.....	101
13. Cruise Control System	107
14. Door Lock System.....	120
15. Engine Coolant Temperature Gauge System	124
16. Engine Electrical System	125
17. Fuel Gauge System	181
18. Full-Time Dual-Range System	184
19. Front Accessory Power Supply System.....	185
20. Headlight Beam Leveler System.....	186
21. Horn System.....	187
22. Immobilizer System	188
23. Keyless Entry System	192
24. Back-up Light System	198
25. Clearance Light and Illumination Light System	199
26. Front Fog Light System.....	206
27. Headlight System	209
28. In Compartment Light System.....	211
29. Stop Light System	217
30. Turn Signal Light and Hazard Light System.....	219
31. Oil Pressure Warning Light System.....	223
32. Outside Temperature Display System.....	224
33. Parking Brake and Brake Fluid Level Warning System.....	225
34. Pneumatic (Air) Suspension System	226
35. Power Seat System.....	234
36. Power Window System	235
37. Radiator Fan System	244
38. Rear Accessory Power Supply System	247
39. Rear Fog Light System	248
40. Rear Window Defogger System.....	249
41. Remote Controlled Rearview Mirror System	250
42. Seat Belt Warning System	252
43. Seat Heater System.....	254
44. Starter System.....	255

GENERAL DIAGNOSTIC TABLE

45.	Sunroof System.....	256
46.	Vehicle Dynamic Control System.....	257
47.	Wiper and Washer System (Front)	273
48.	Wiper and Washer System (Rear).....	275
49.	Wiper Deicer System	277
50.	Overall Systems	278
51.	Front Wiring Harness	282
52.	Bulkhead Wiring Harness (In Engine Room).....	288
53.	Bulkhead Wiring Harness (In Compartment).....	296
54.	Engine Wiring Harness and Transmission Cord.....	305
55.	Instrument Panel Wiring Harness	309
56.	Rear Wiring Harness.....	313
57.	Door Cord.....	321
58.	Rear Wiring Harness and Trunk Lid Cord	325
59.	Rear Wiring Harness and Rear Gate Cord.....	327

PNEUMATIC (AIR) SUSPENSION SYSTEM

Wiring System

34. Pneumatic (Air) Suspension System

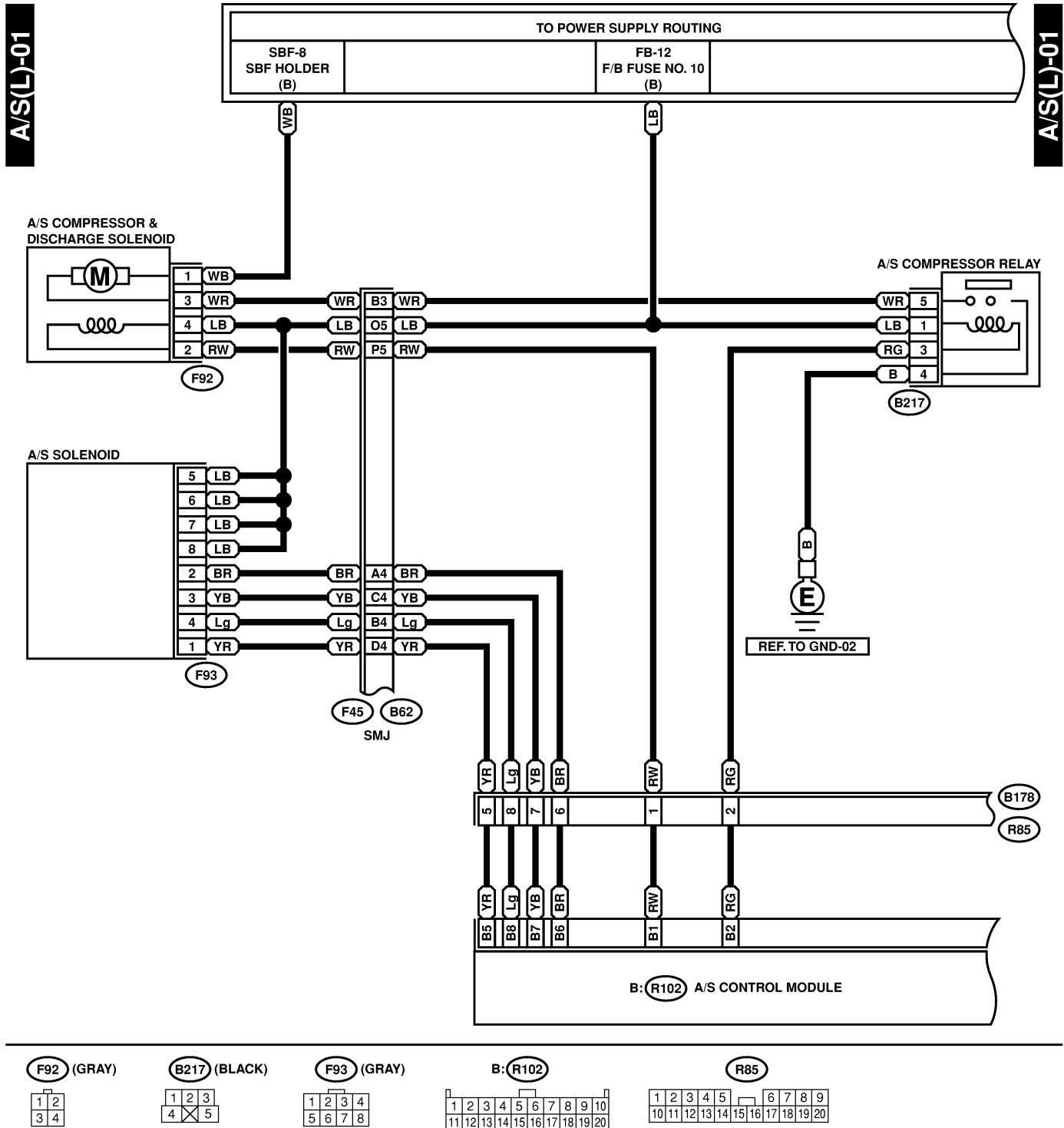
S903479

A: SCHEMATIC

S903479A21

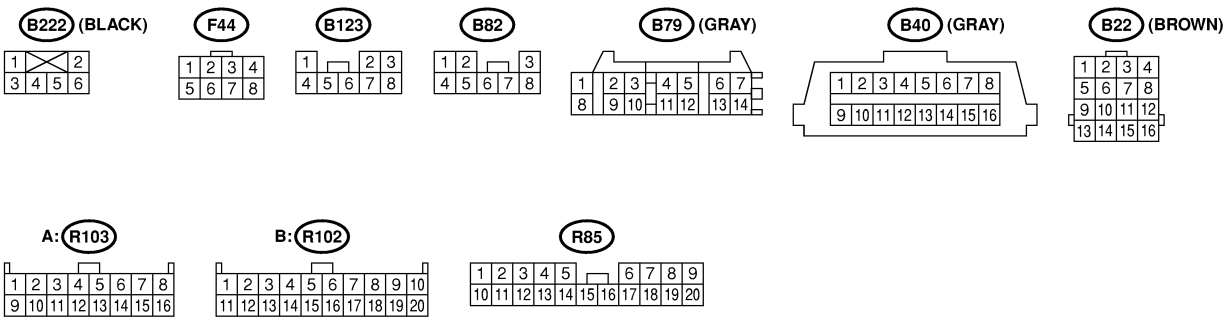
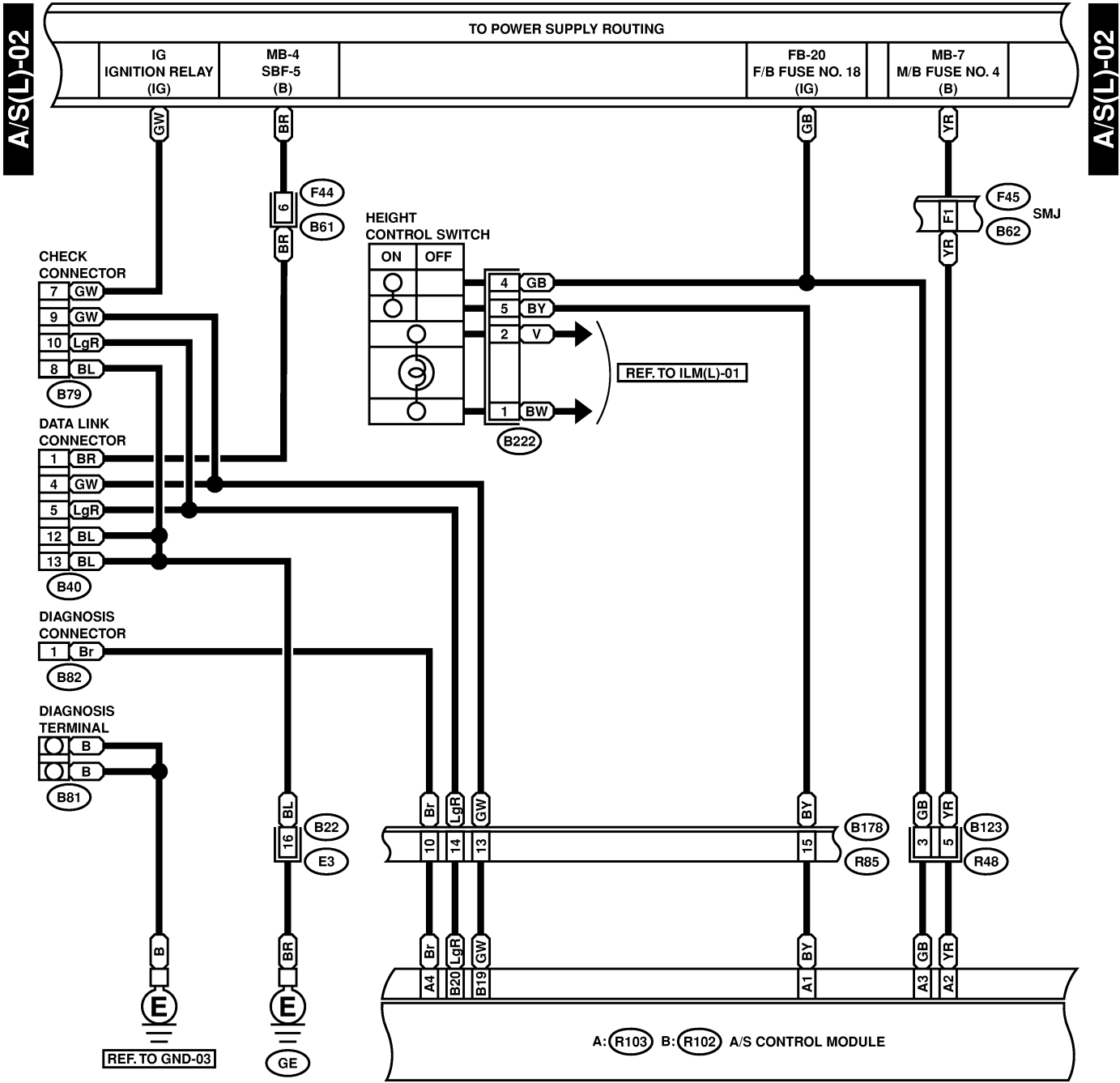
1. LHD MODEL

S903479A2101



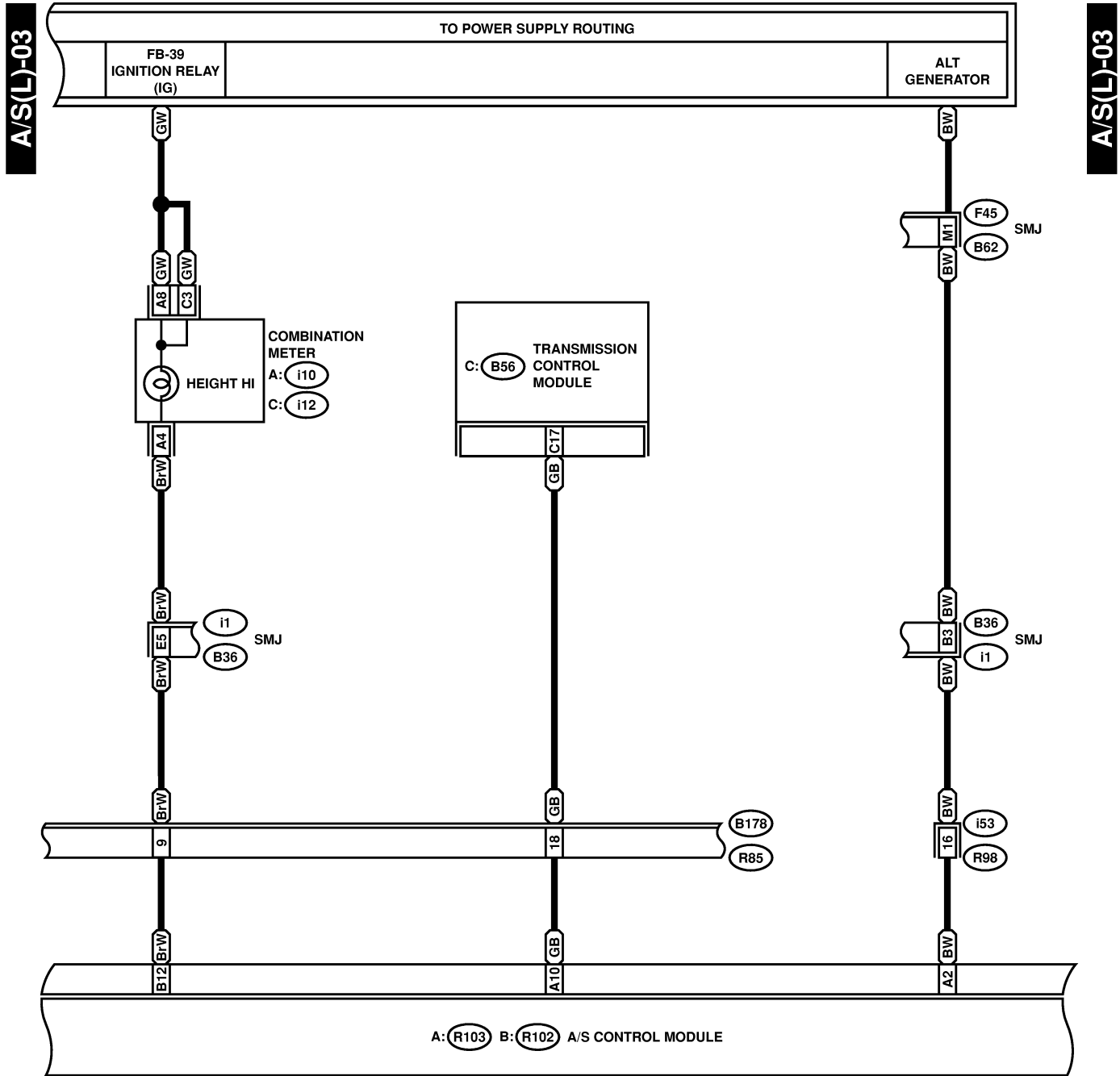
PNEUMATIC (AIR) SUSPENSION SYSTEM

Wiring System



PNEUMATIC (AIR) SUSPENSION SYSTEM

Wiring System



C: (i12) (GREEN)

1	2	3	4	5	6		
7	8	9	10	11	12	13	14

A: (R103)

1	2	3	4	5	6	7	8
9	10	11	12	13	14	15	16

B: (R102)

1	2	3	4	5	6	7	8	9	10
11	12	13	14	15	16	17	18	19	20

(R85)

1	2	3	4	5	6	7	8	9		
10	11	12	13	14	15	16	17	18	19	20

(R98) (BLUE)

1	2	3	4	5	6	7	8	9	10
11	12	13	14	15	16	17	18	19	20

C: (B56) (GREEN)

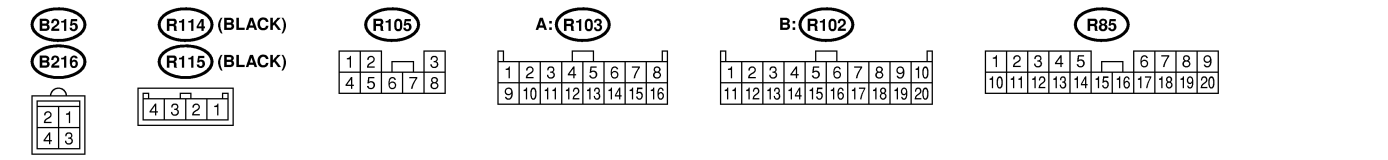
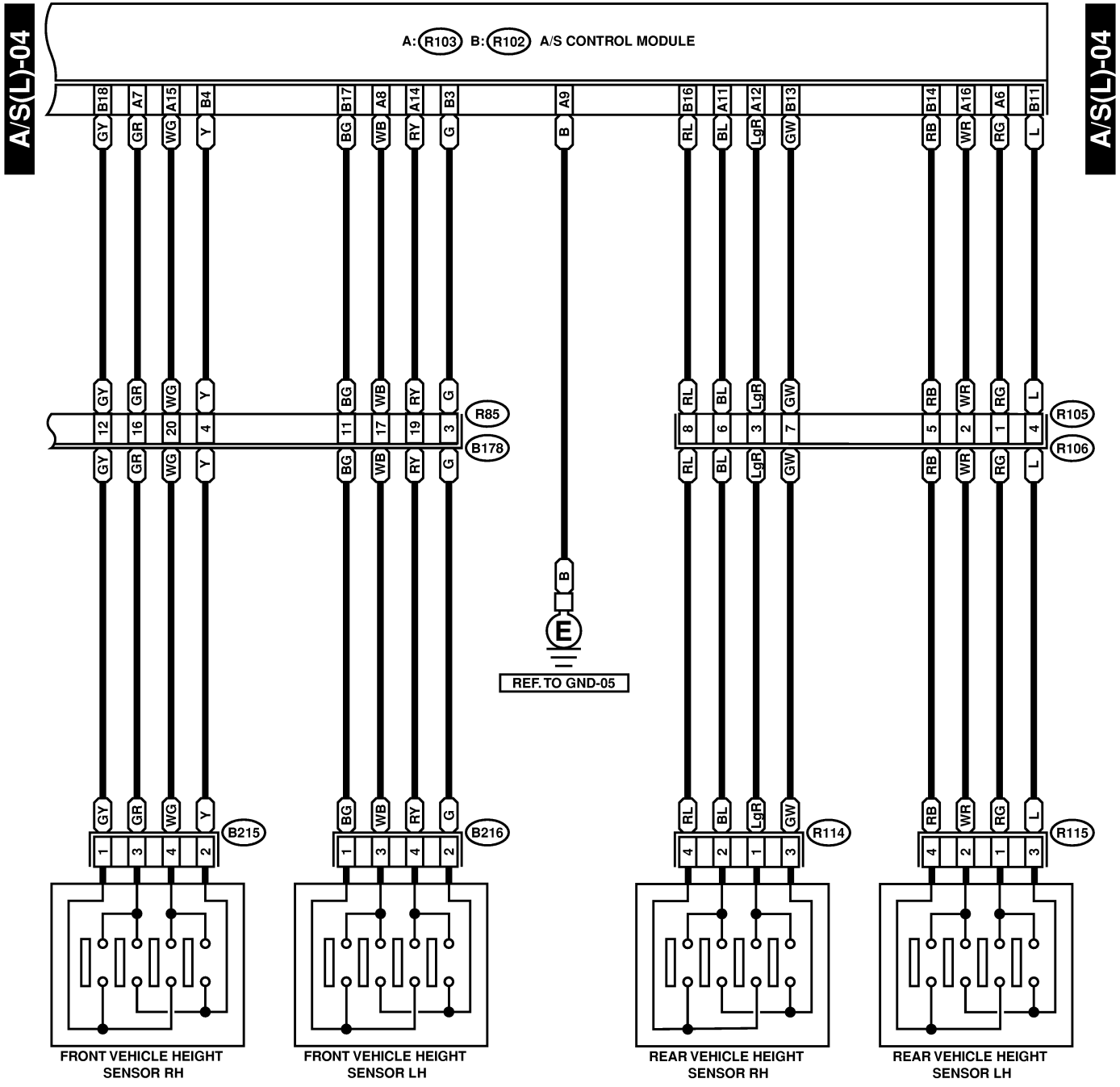
1	2	3	4	5	6	7	8	9
10	11	12	13	14	15	16	17	18
19	20	21	22	23	24			

A: (i10) (GREEN)

1	2	3	4	5	6	7	8	9	10	11	12	13	14		
15	16	17	18	19	20	21	22	23	24	25	26	27	28	29	30

PNEUMATIC (AIR) SUSPENSION SYSTEM

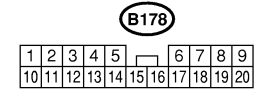
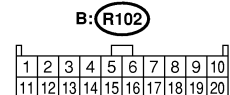
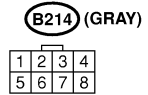
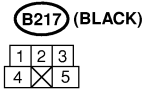
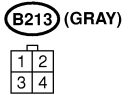
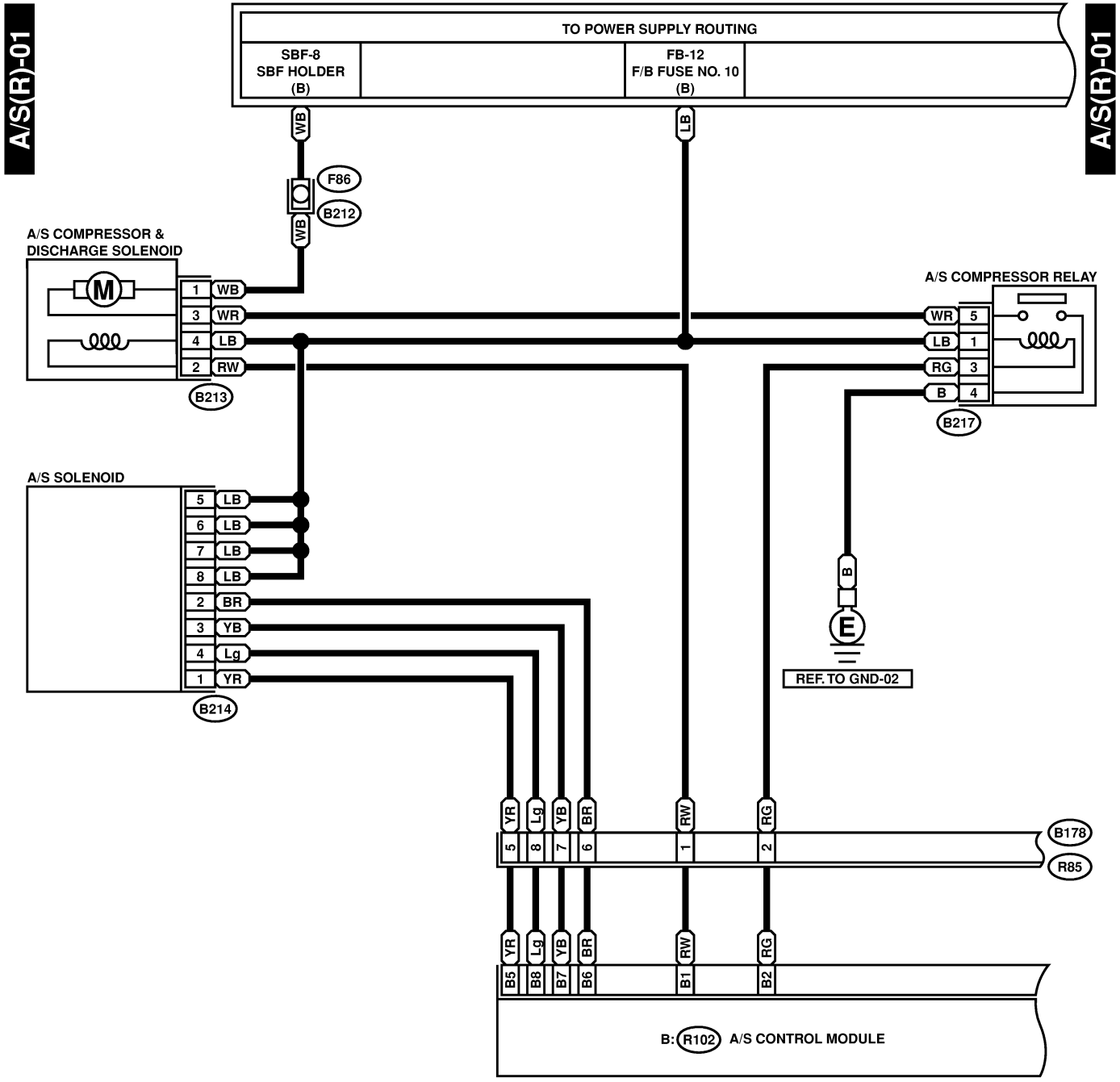
Wiring System



PNEUMATIC (AIR) SUSPENSION SYSTEM

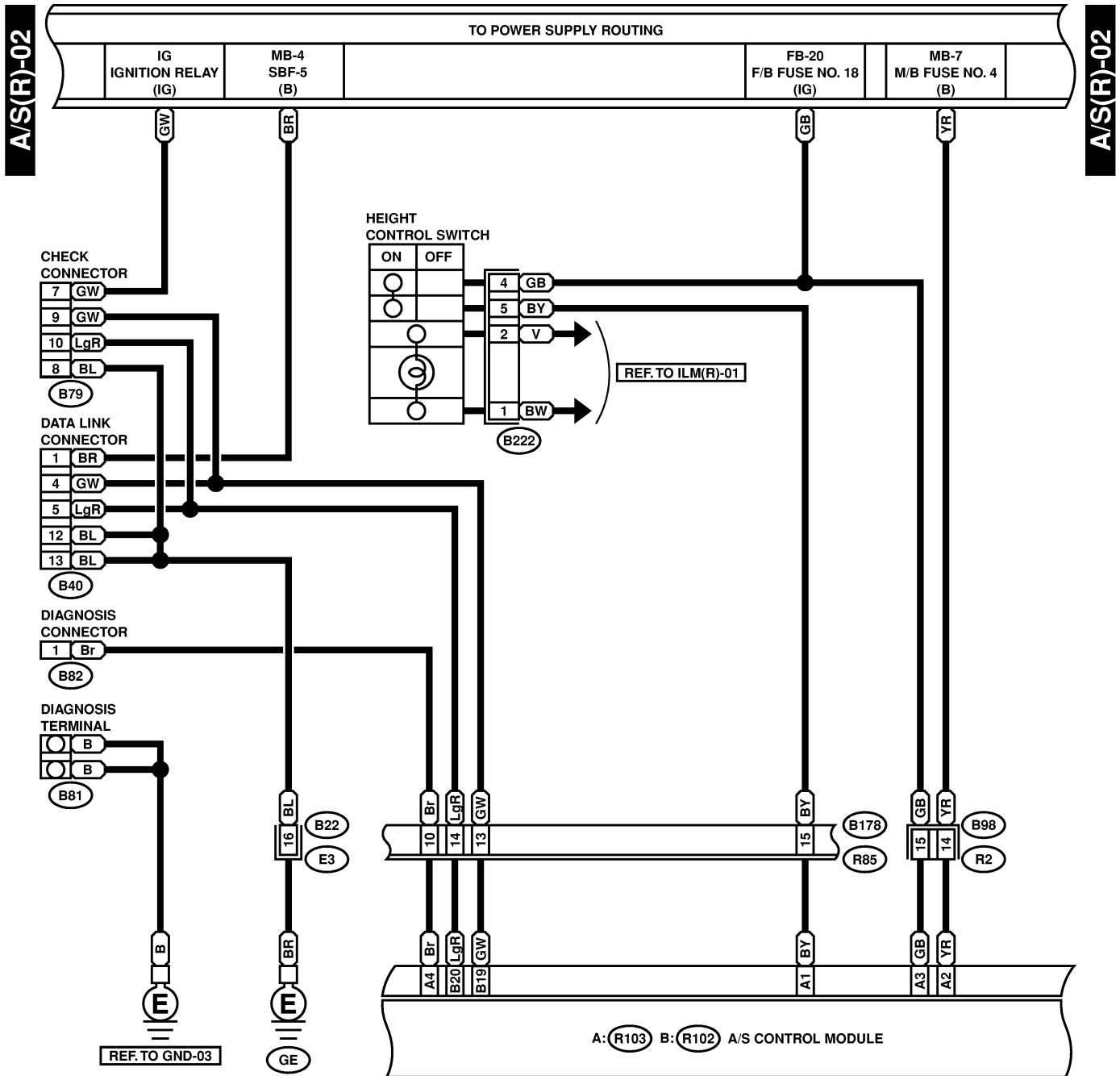
Wiring System

2. RHD MODEL S903479A2102



PNEUMATIC (AIR) SUSPENSION SYSTEM

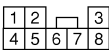
Wiring System



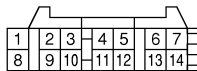
(B222) (BLACK)



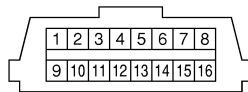
(B82)



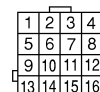
(B79) (GRAY)



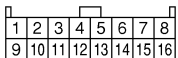
(B40) (GRAY)



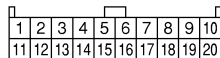
(B22) (BROWN)



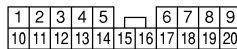
A: (R103)



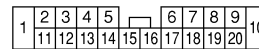
B: (R102)



(B178)

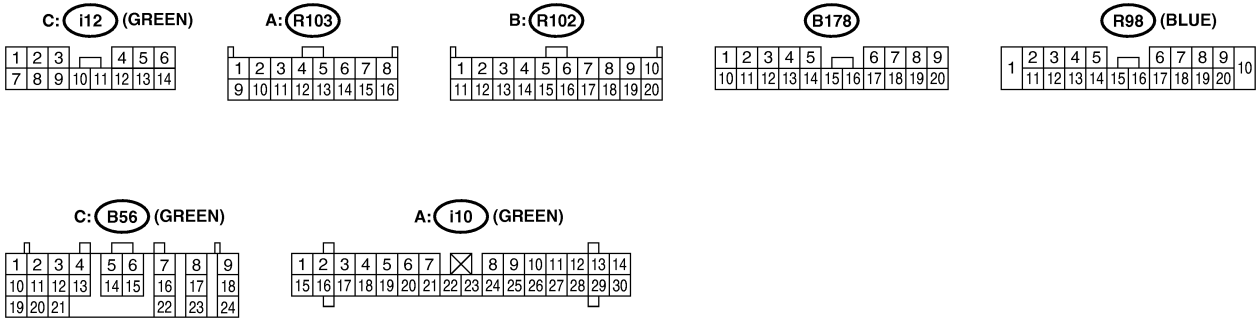
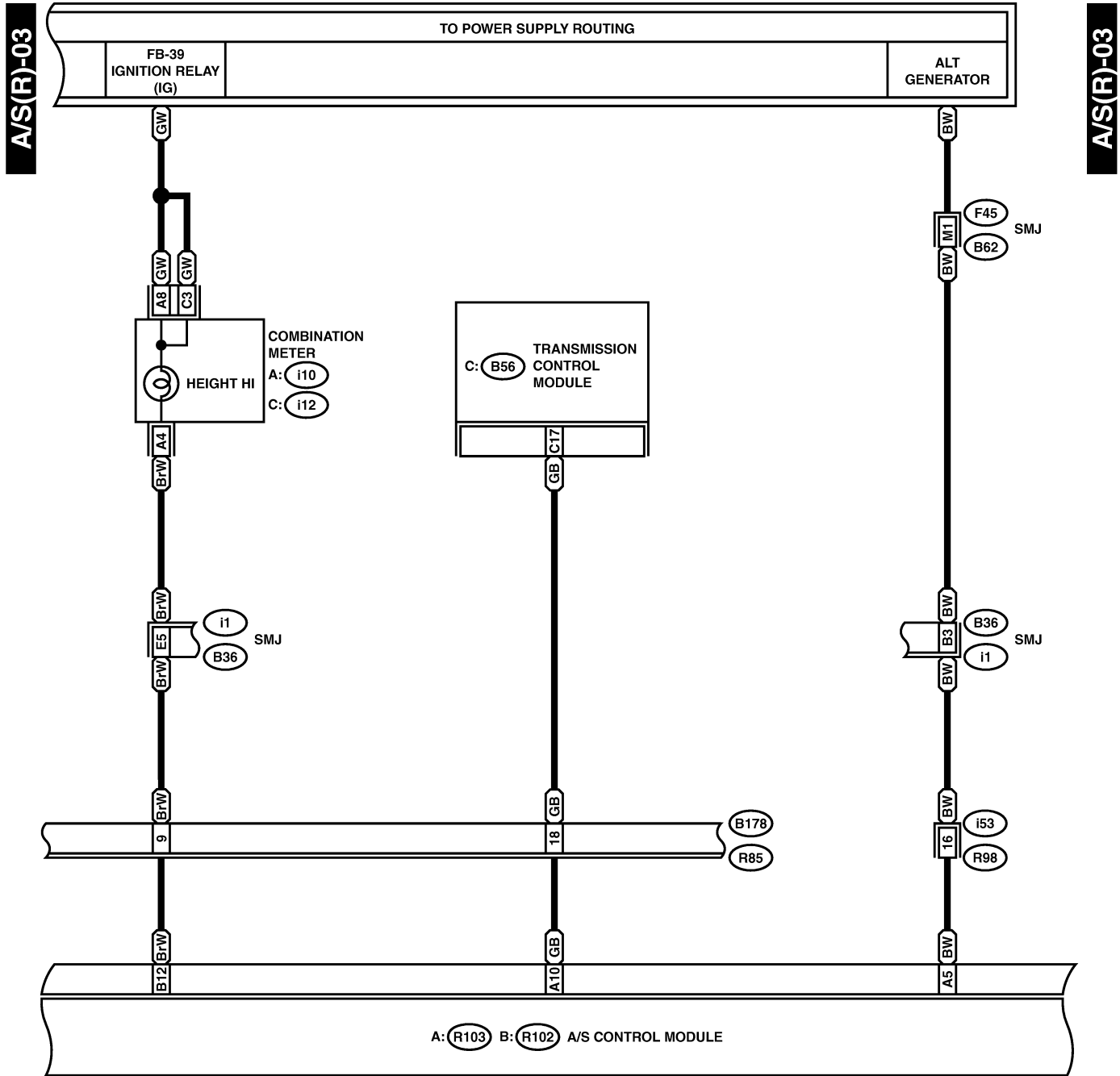


(R2) (BLUE)



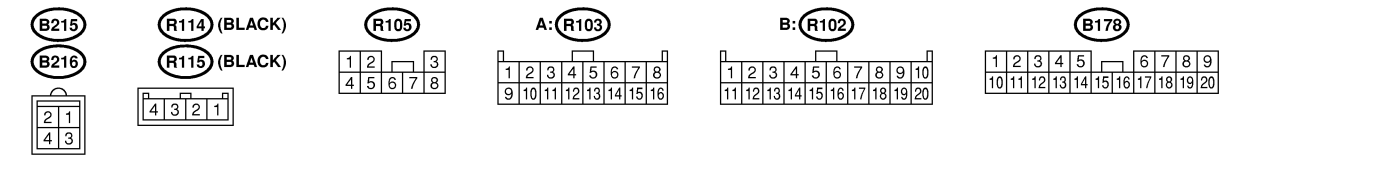
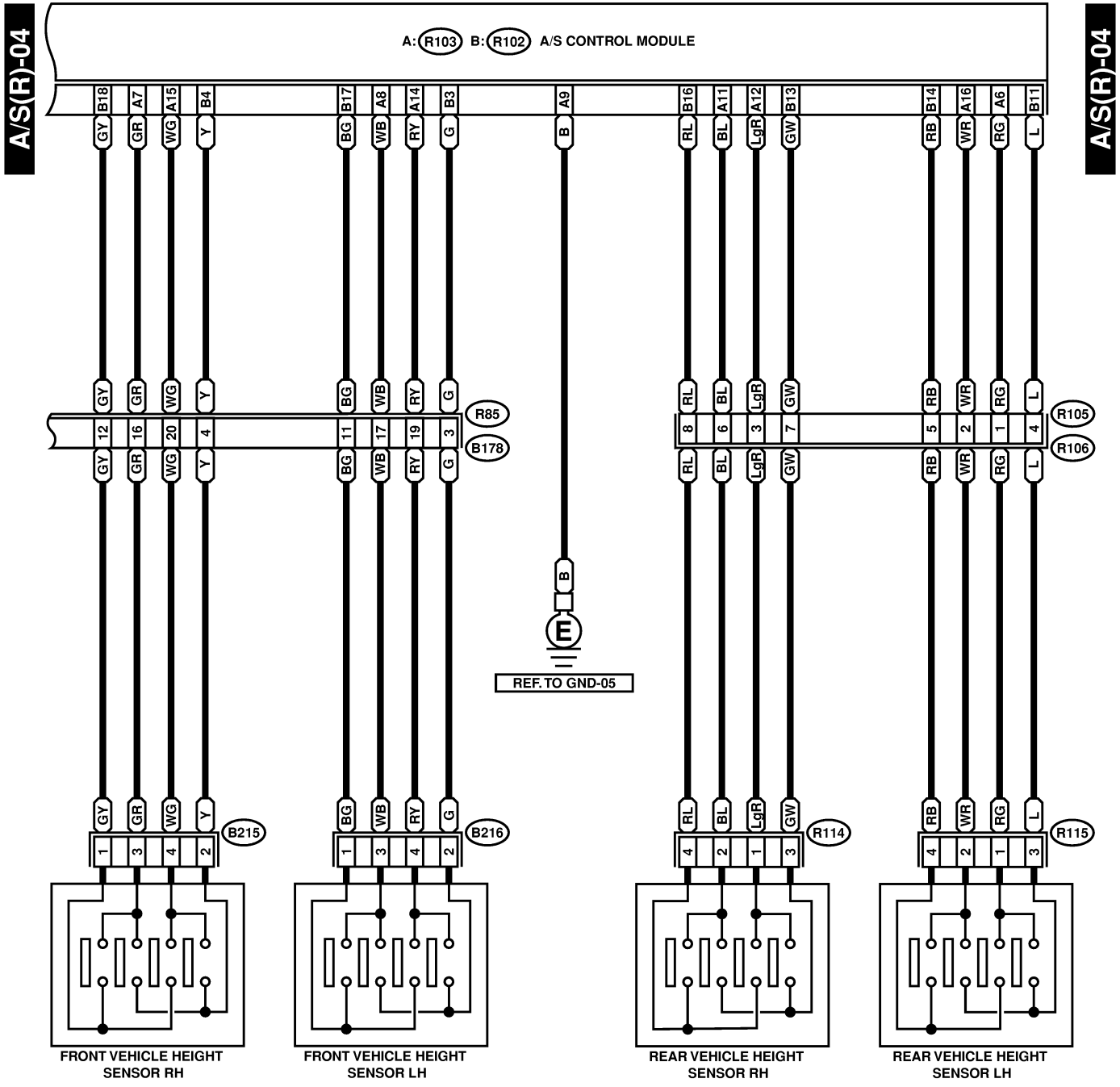
PNEUMATIC (AIR) SUSPENSION SYSTEM

Wiring System



PNEUMATIC (AIR) SUSPENSION SYSTEM

Wiring System



POWER SEAT SYSTEM

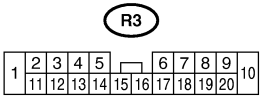
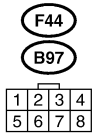
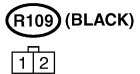
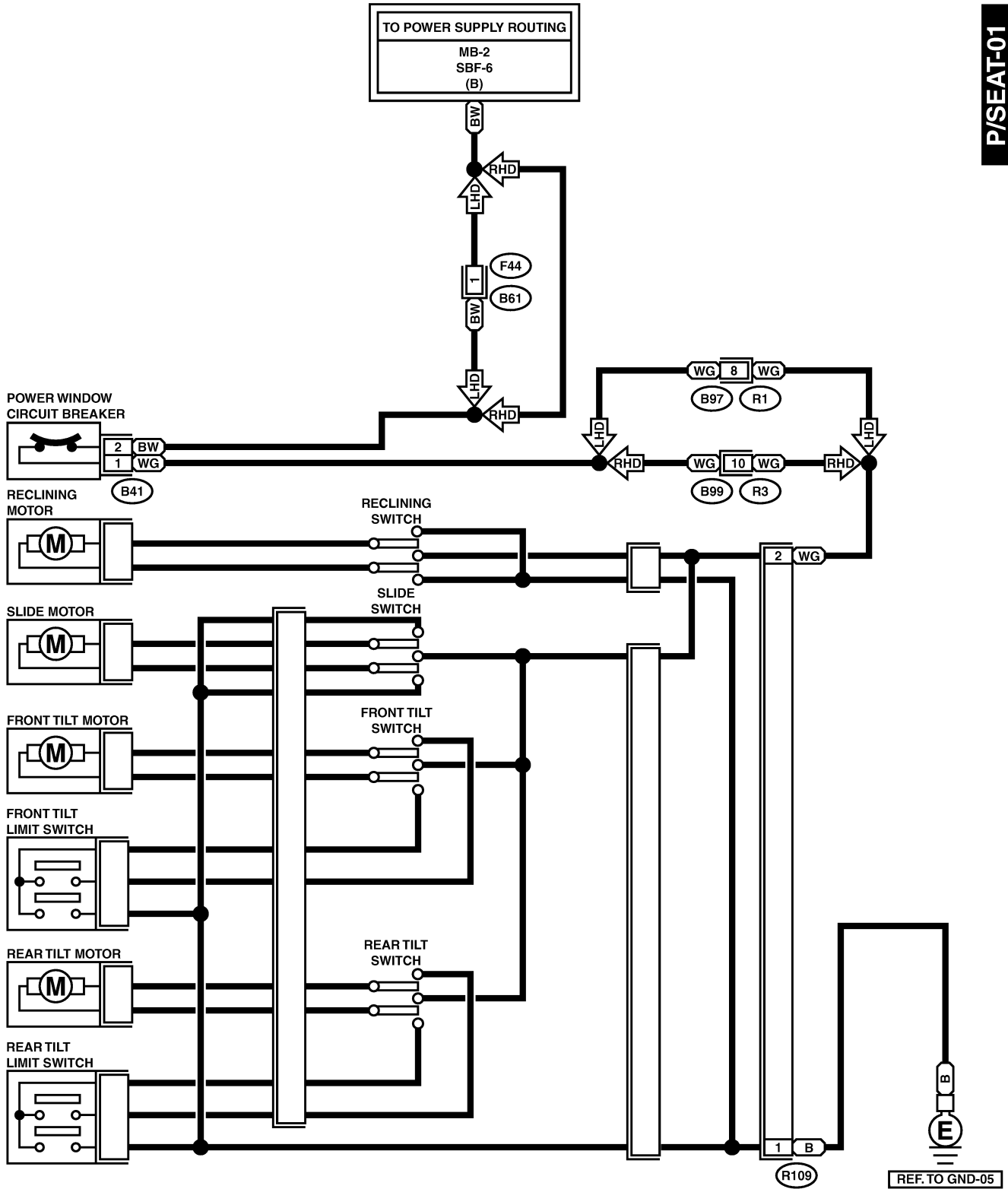
Wiring System

35. Power Seat System S903669

A: SCHEMATIC S903669A21

P/SEAT-01

P/SEAT-01



REF. TO GND-05

BG85-20

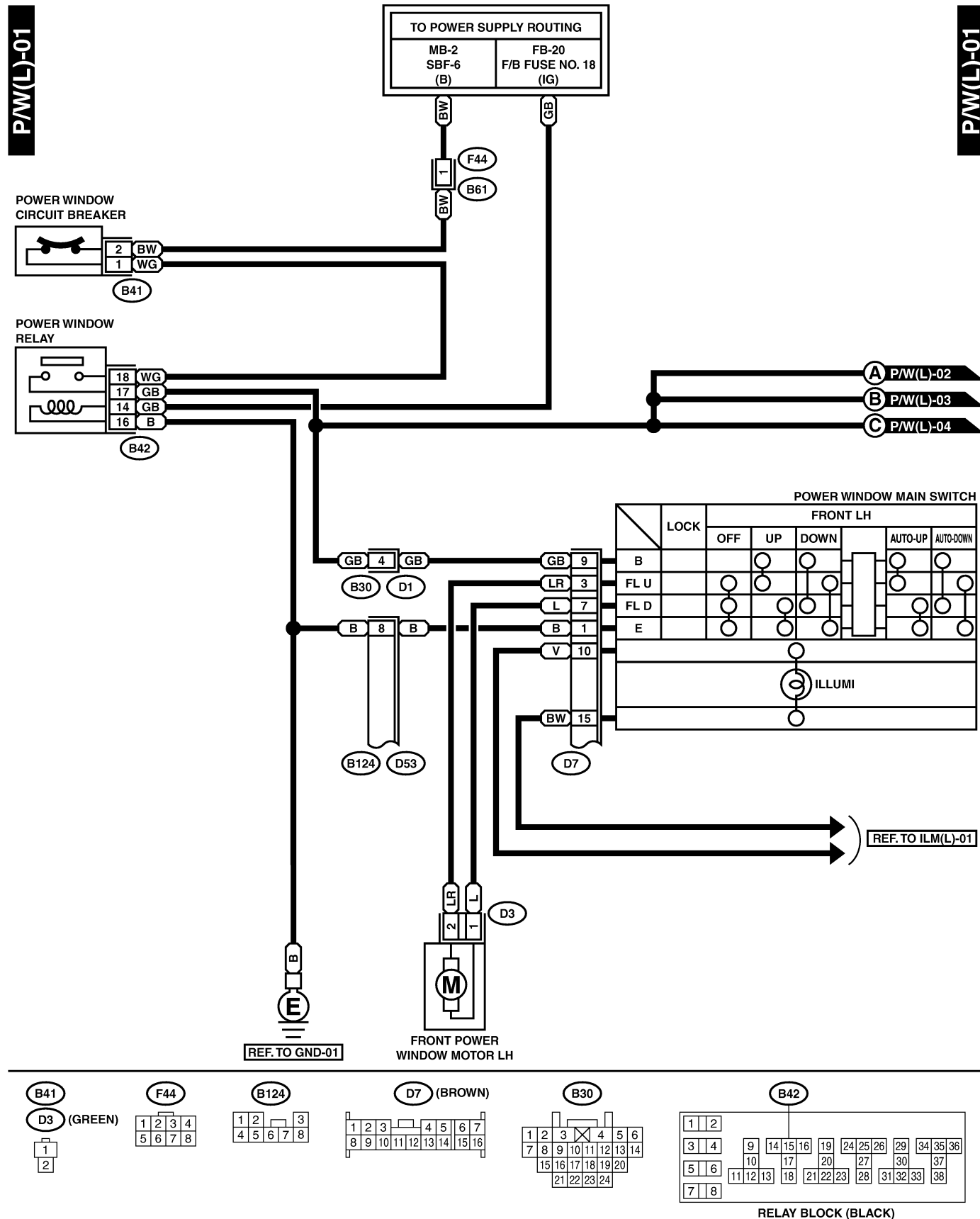
36. Power Window System S903456

A: SCHEMATIC S903456A21

POWER WINDOW SYSTEM

Wiring System

1. LHD MODEL S903456A2101

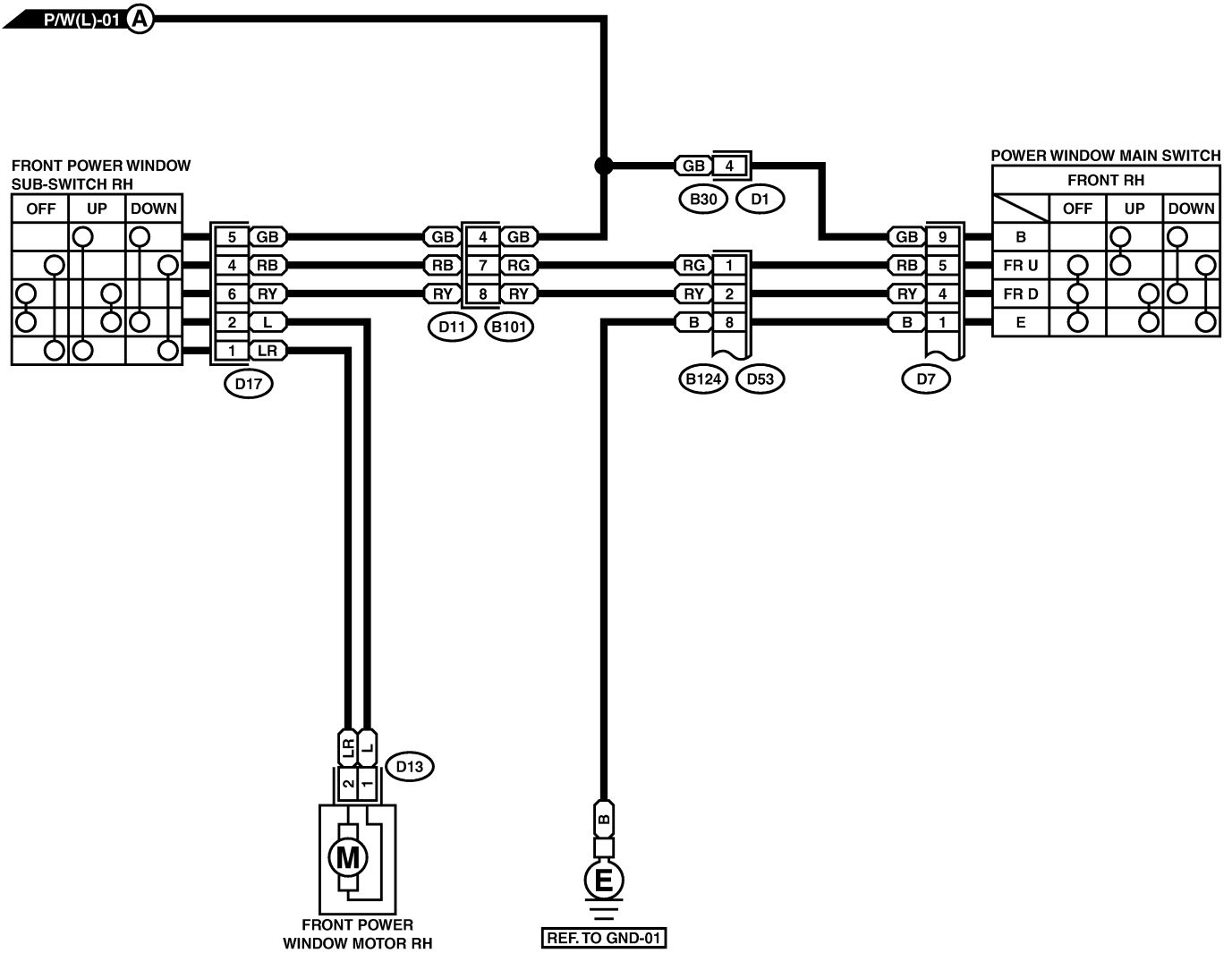


POWER WINDOW SYSTEM

Wiring System

P/W(L)-02

P/W(L)-02



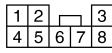
D13 (GREEN)



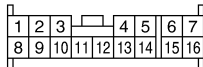
D17



B124



D7 (BROWN)



B30

B101

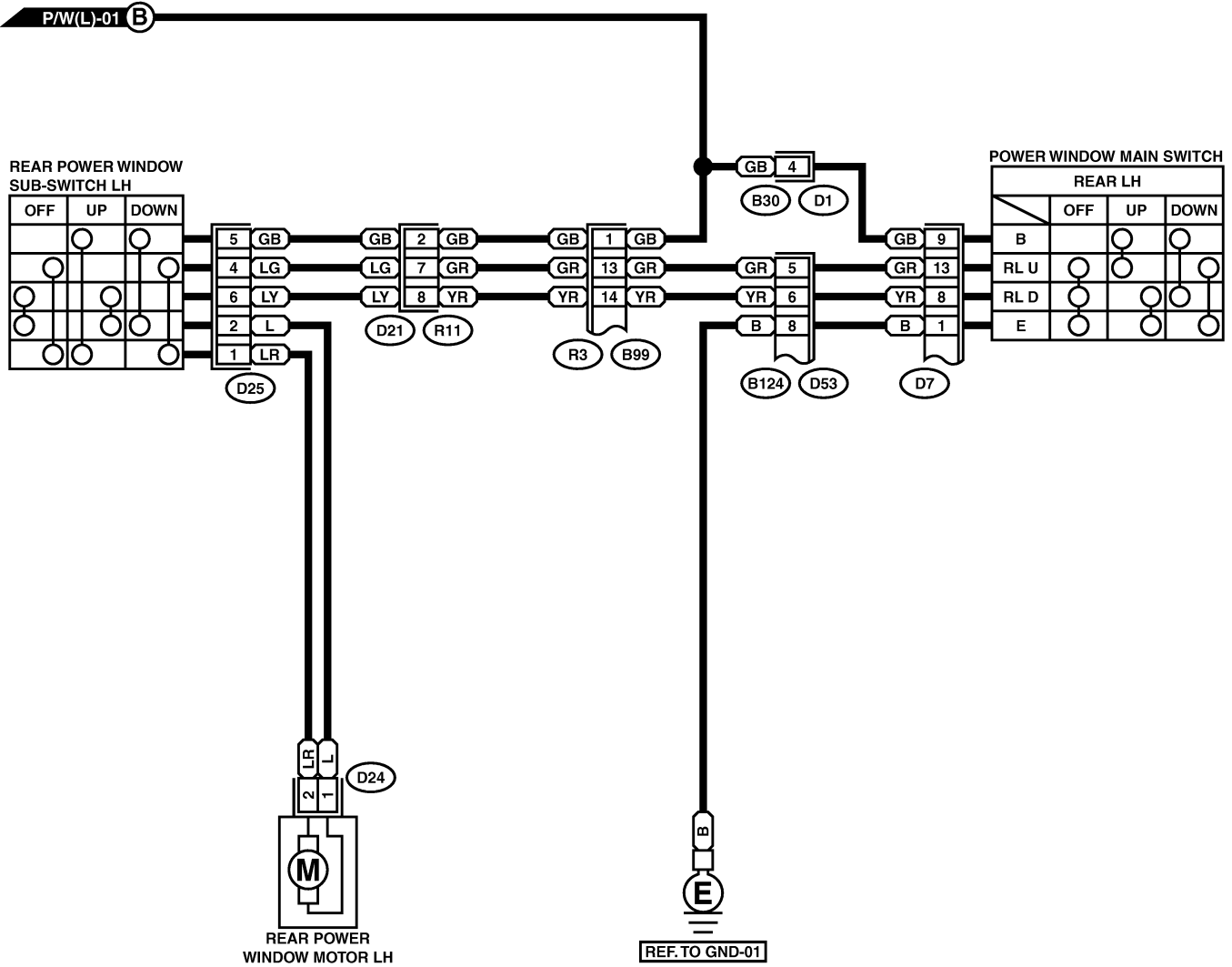


POWER WINDOW SYSTEM

Wiring System

P/W(L)-03

P/W(L)-03



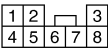
D24 (GREEN)



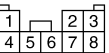
D25



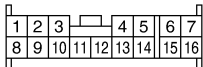
B124



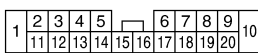
R11



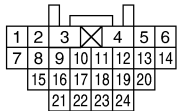
D7 (BROWN)



B99



B30

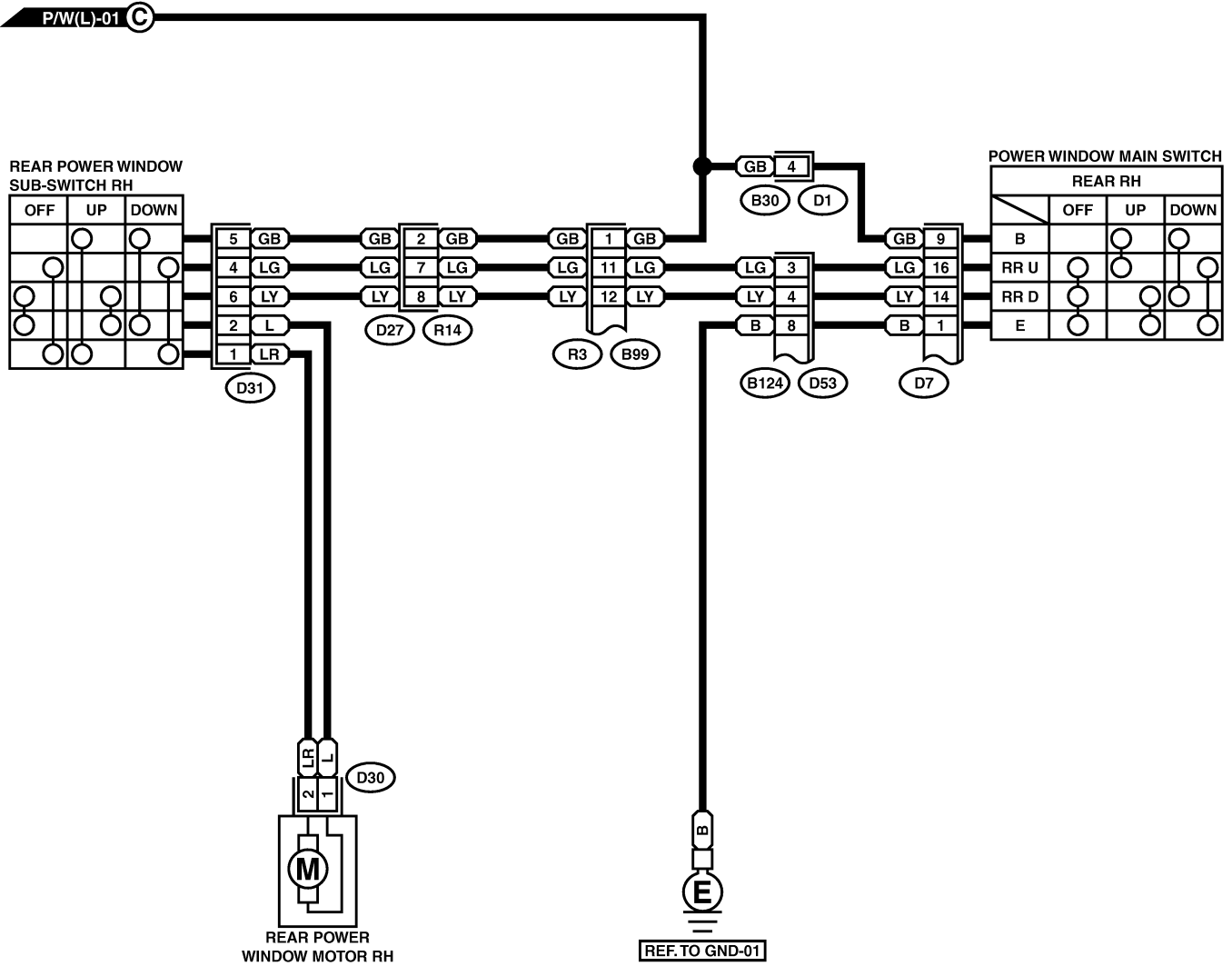


POWER WINDOW SYSTEM

Wiring System

P/W(L)-04

P/W(L)-04



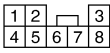
D30 (GREEN)



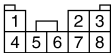
D31



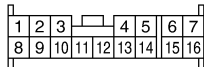
B124



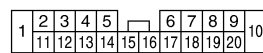
R14



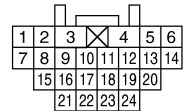
D7 (BROWN)



B99



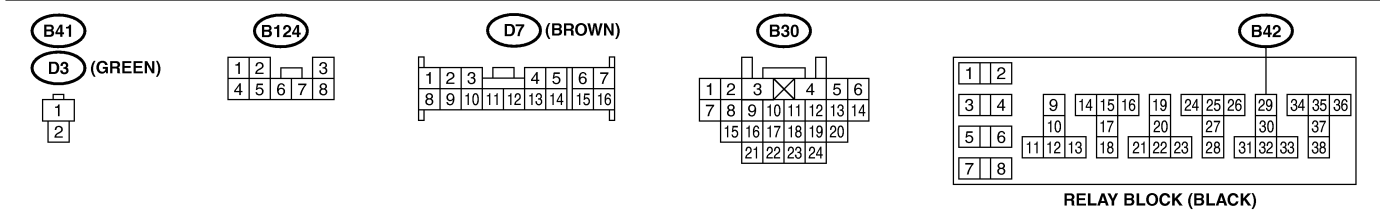
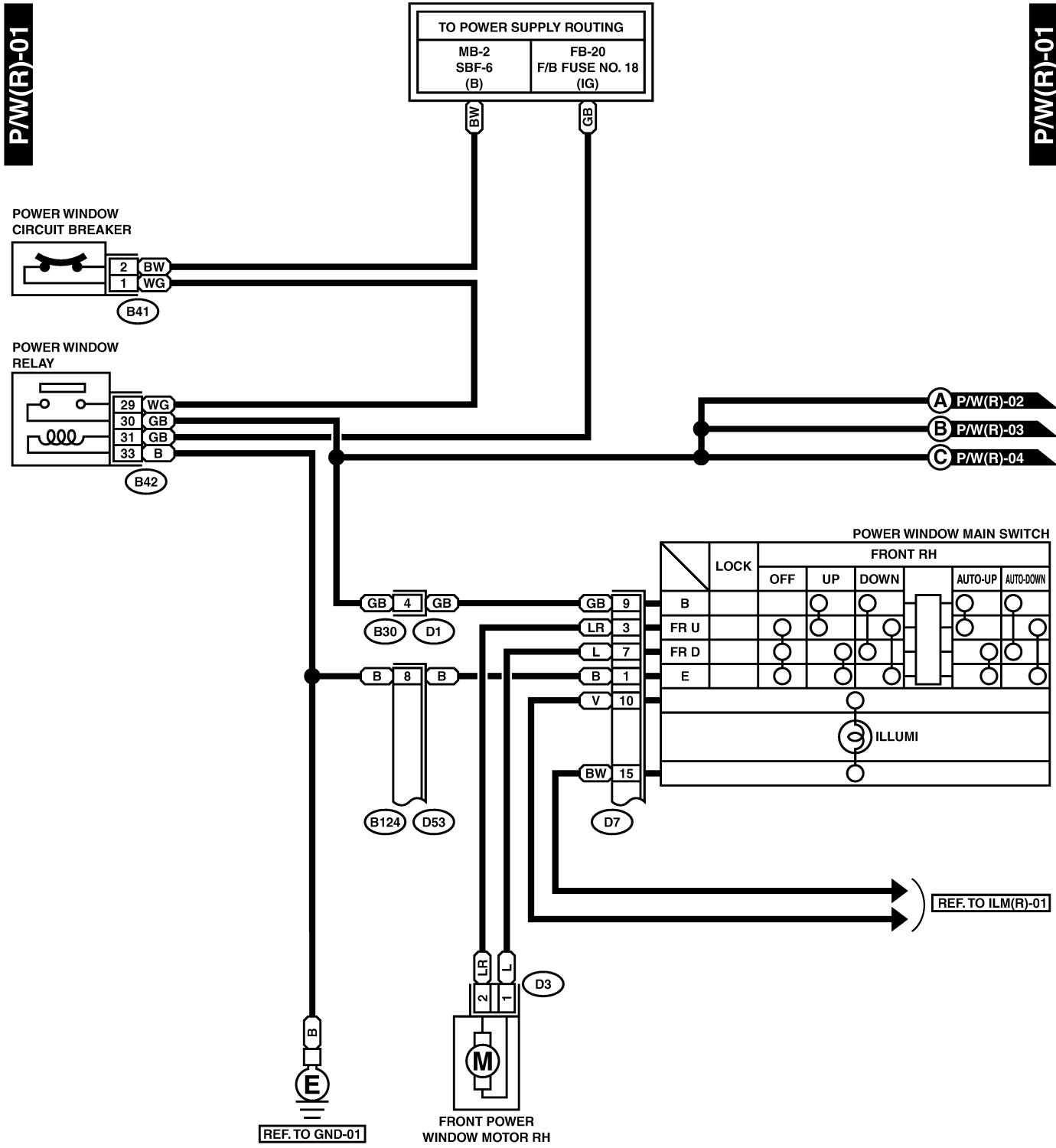
B30



POWER WINDOW SYSTEM

Wiring System

2. RHD MODEL S903456A2102



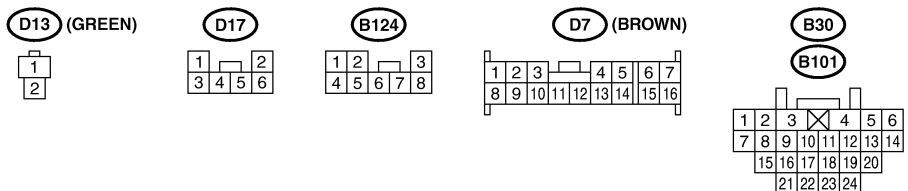
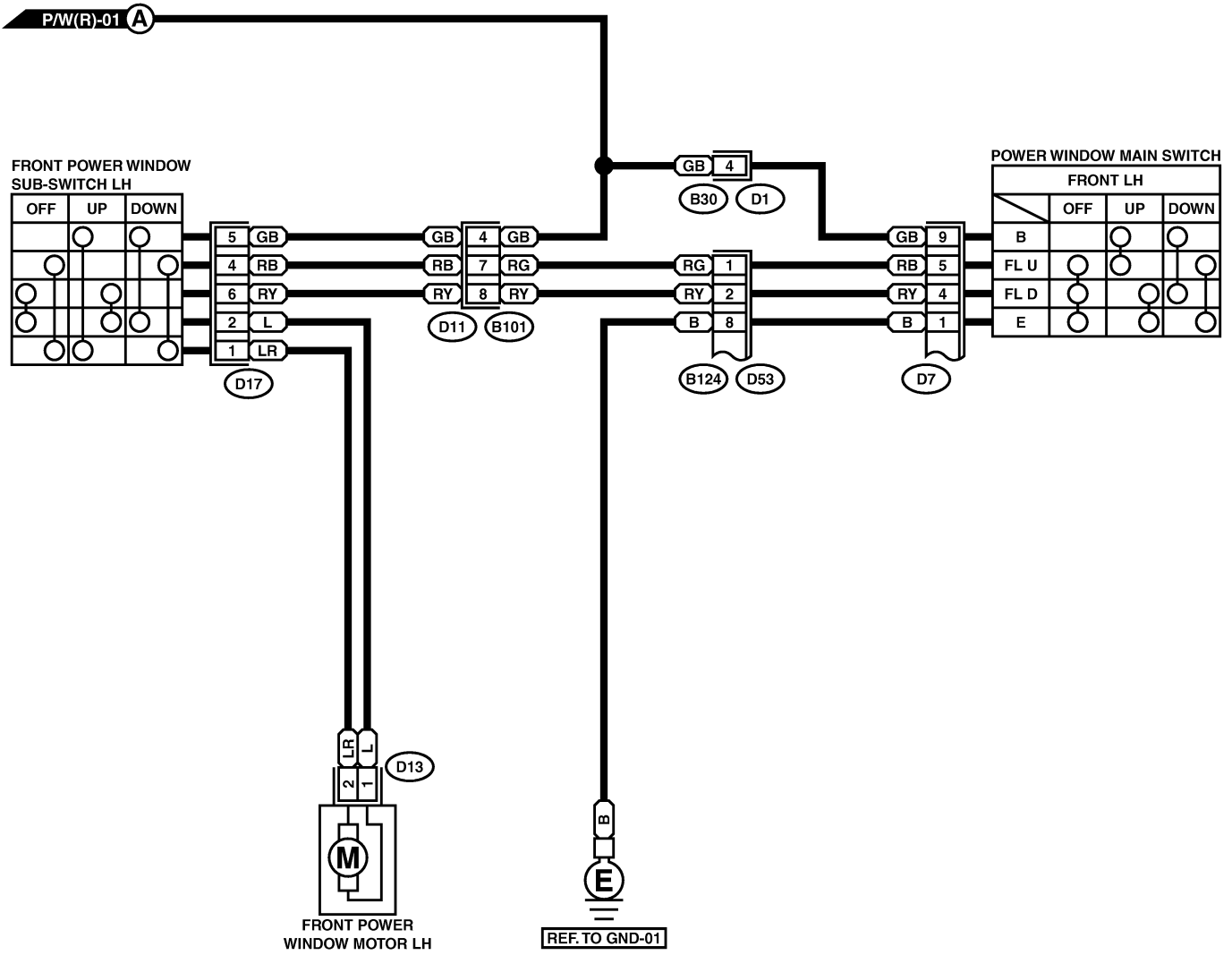
BR70-21A

POWER WINDOW SYSTEM

Wiring System

P/W(R)-02

P/W(R)-02

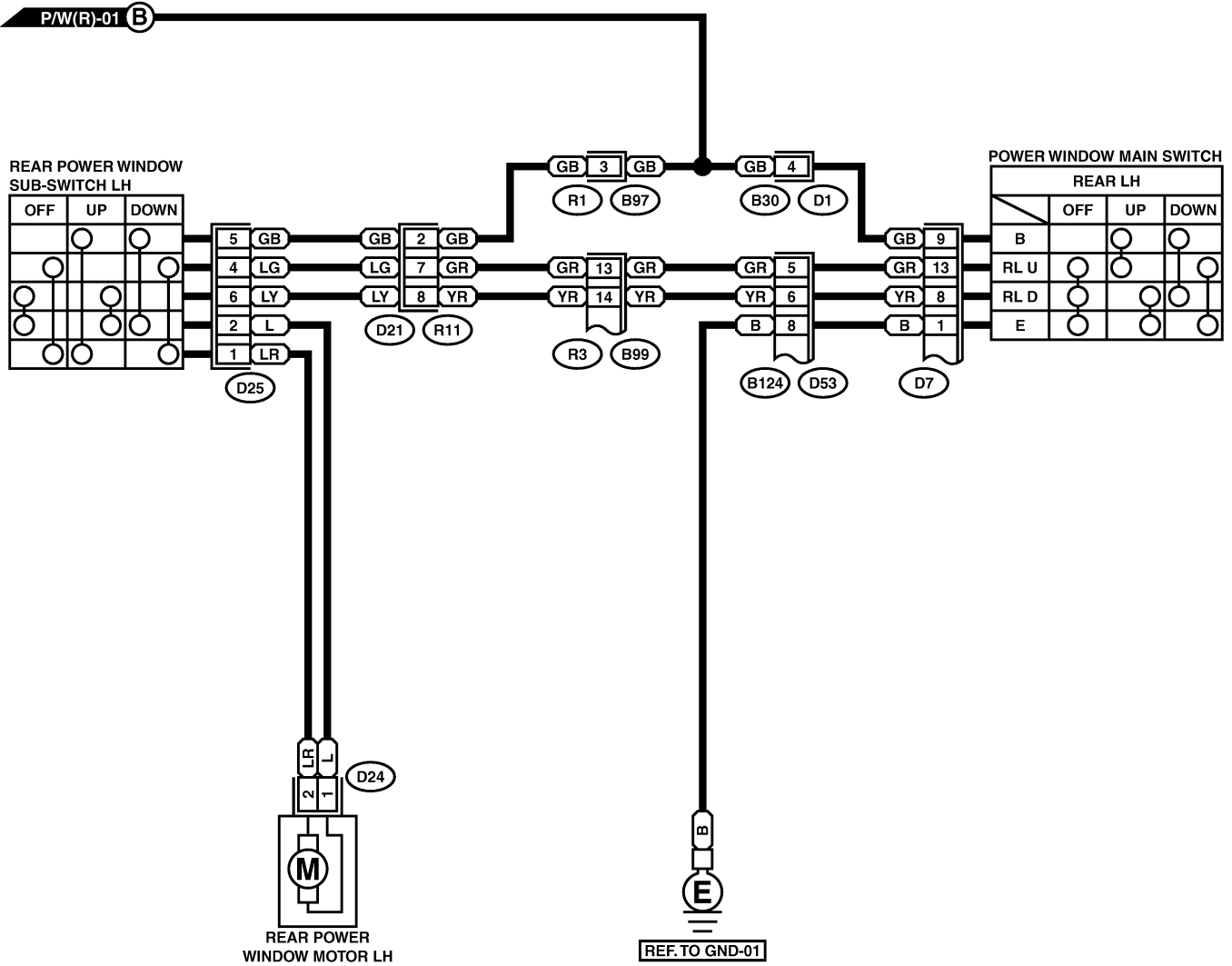


POWER WINDOW SYSTEM

Wiring System

P/W(R)-03

P/W(R)-03



D24 (GREEN)



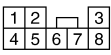
D25



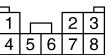
R1



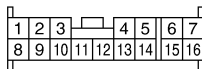
B124



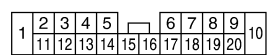
R11



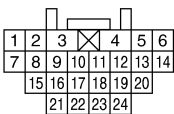
D7 (BROWN)



R3



B30

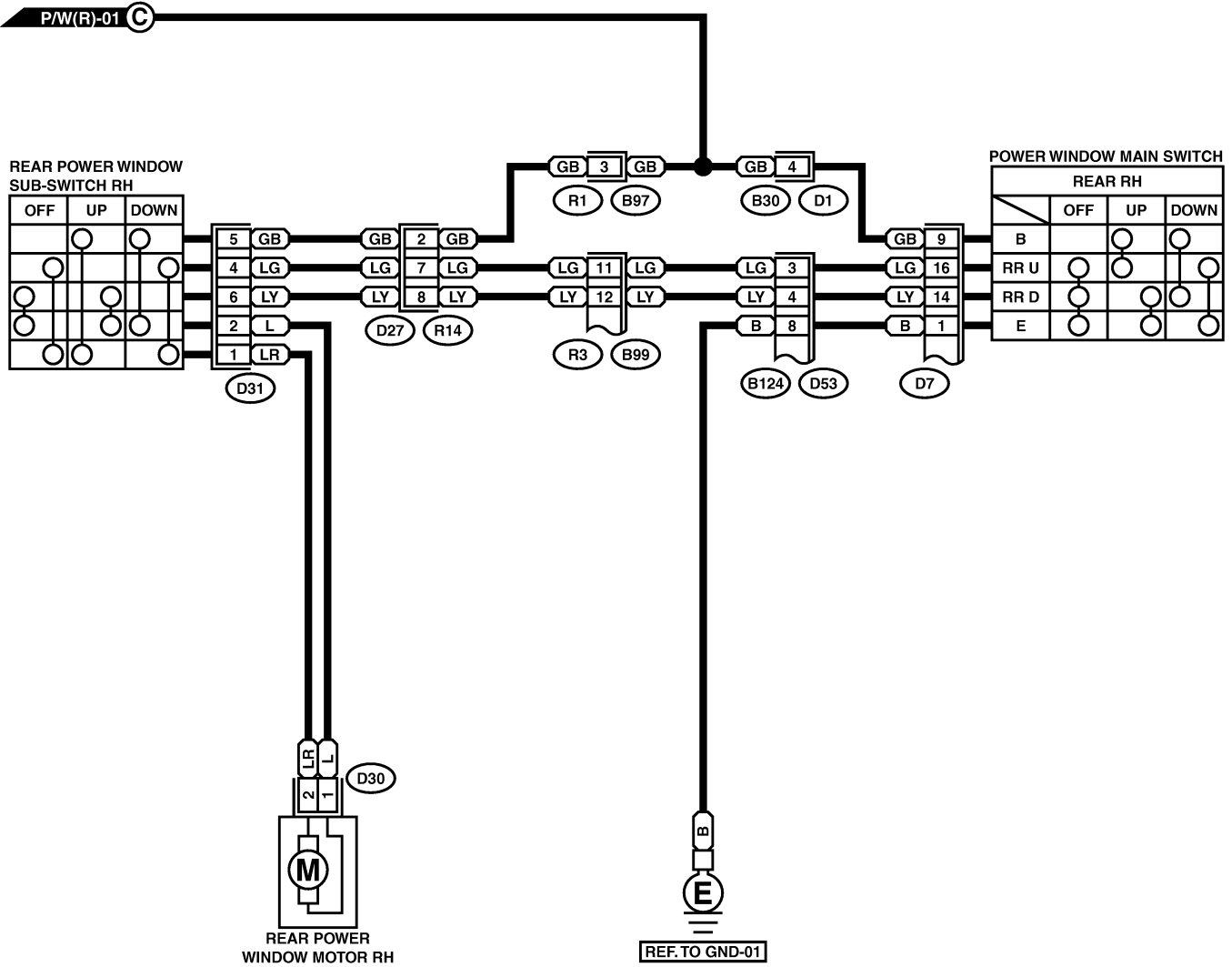


POWER WINDOW SYSTEM

Wiring System

P/W(R)-04

P/W(R)-04



D30 (GREEN)



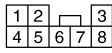
D31



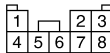
R1



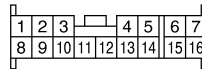
B124



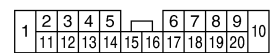
R14



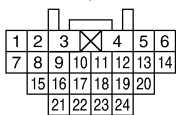
D7 (BROWN)



R3



B30



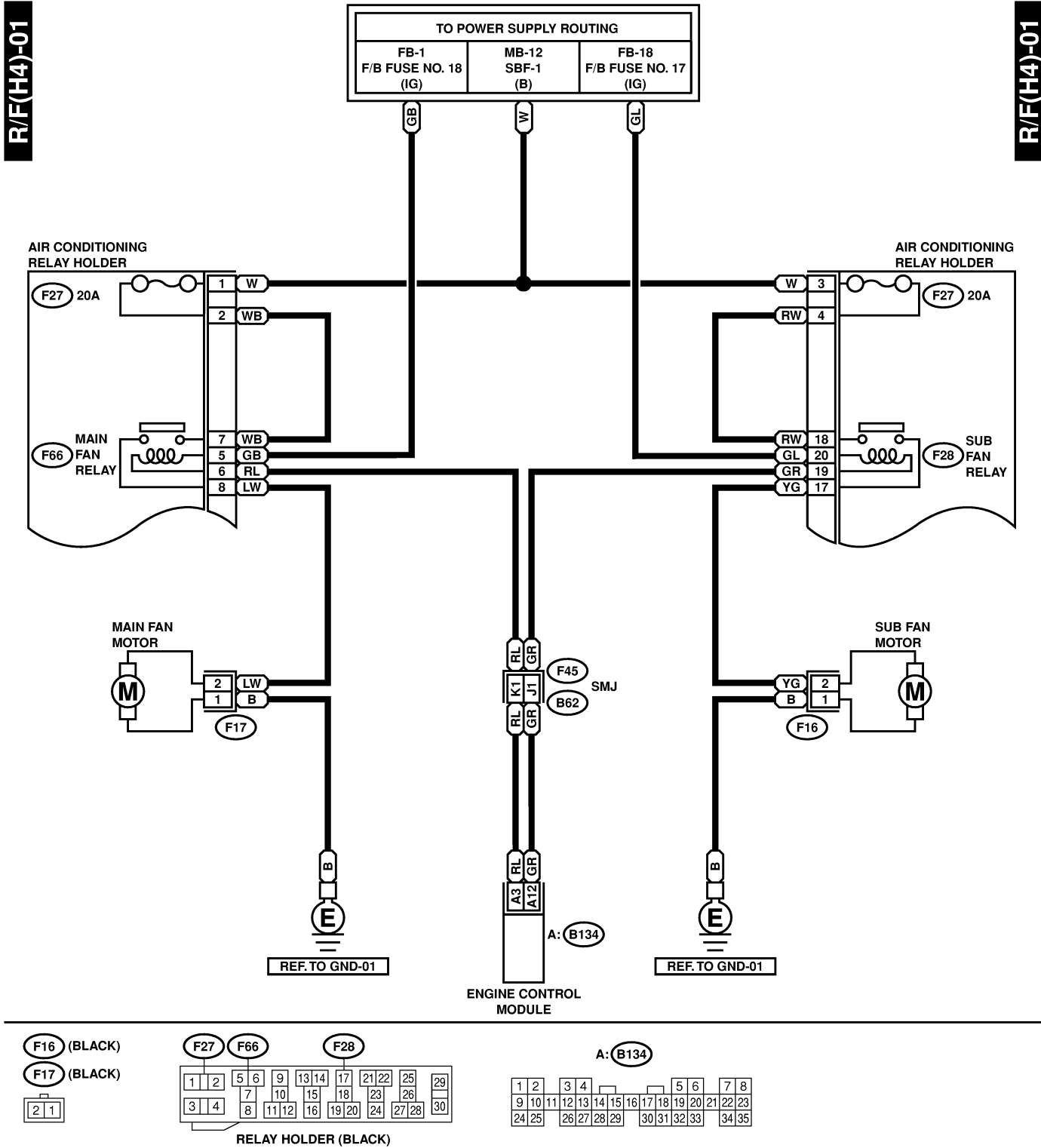
RADIATOR FAN SYSTEM

Wiring System

37. Radiator Fan System S903480

A: SCHEMATIC S903480A21

1. H4 MODEL S903480A2103



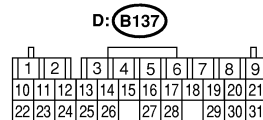
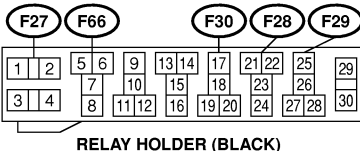
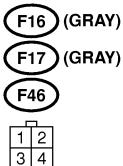
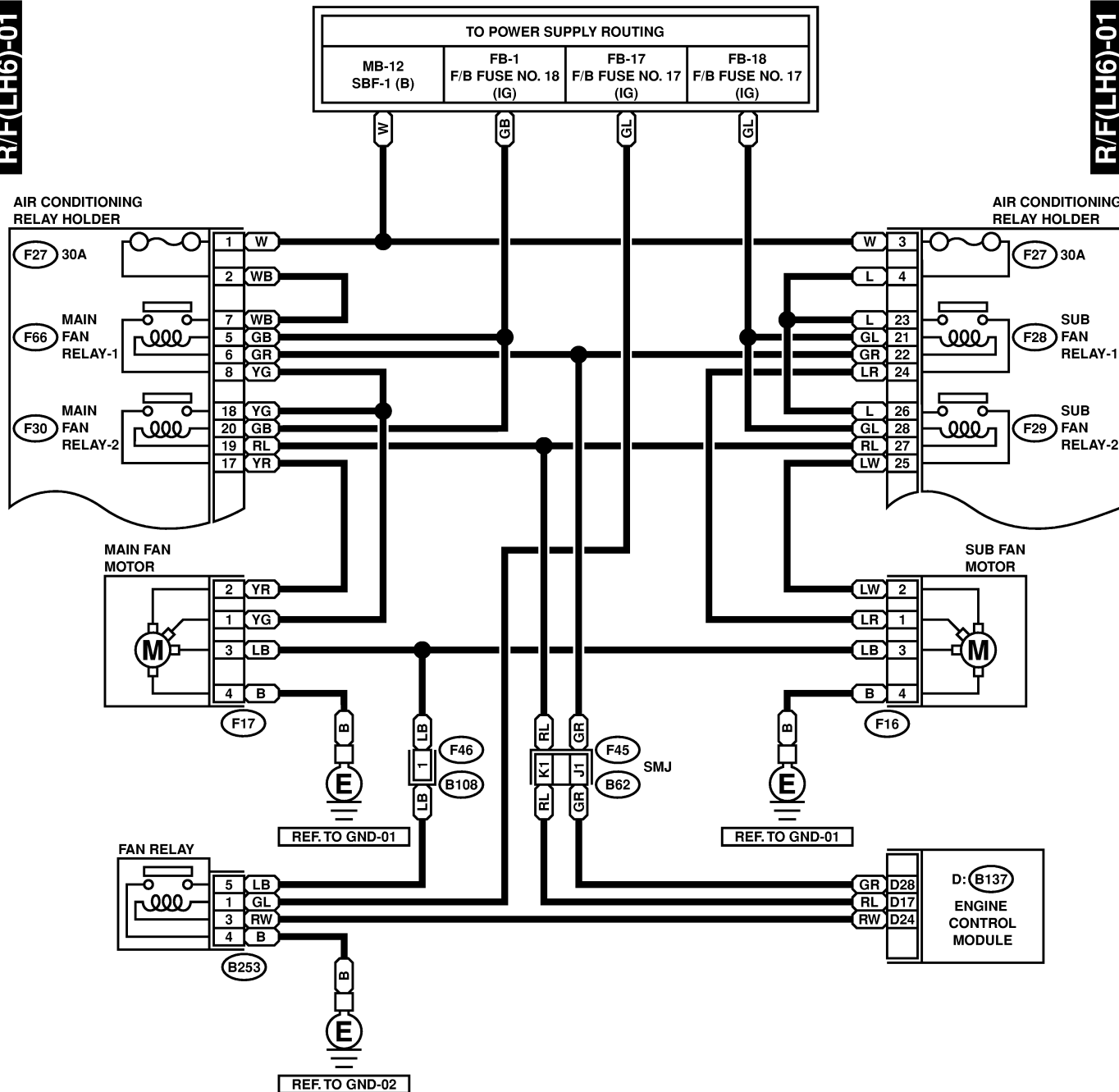
RADIATOR FAN SYSTEM

Wiring System

2. LHD-H6 MODEL S903480A2104

R/F(LH6)-01

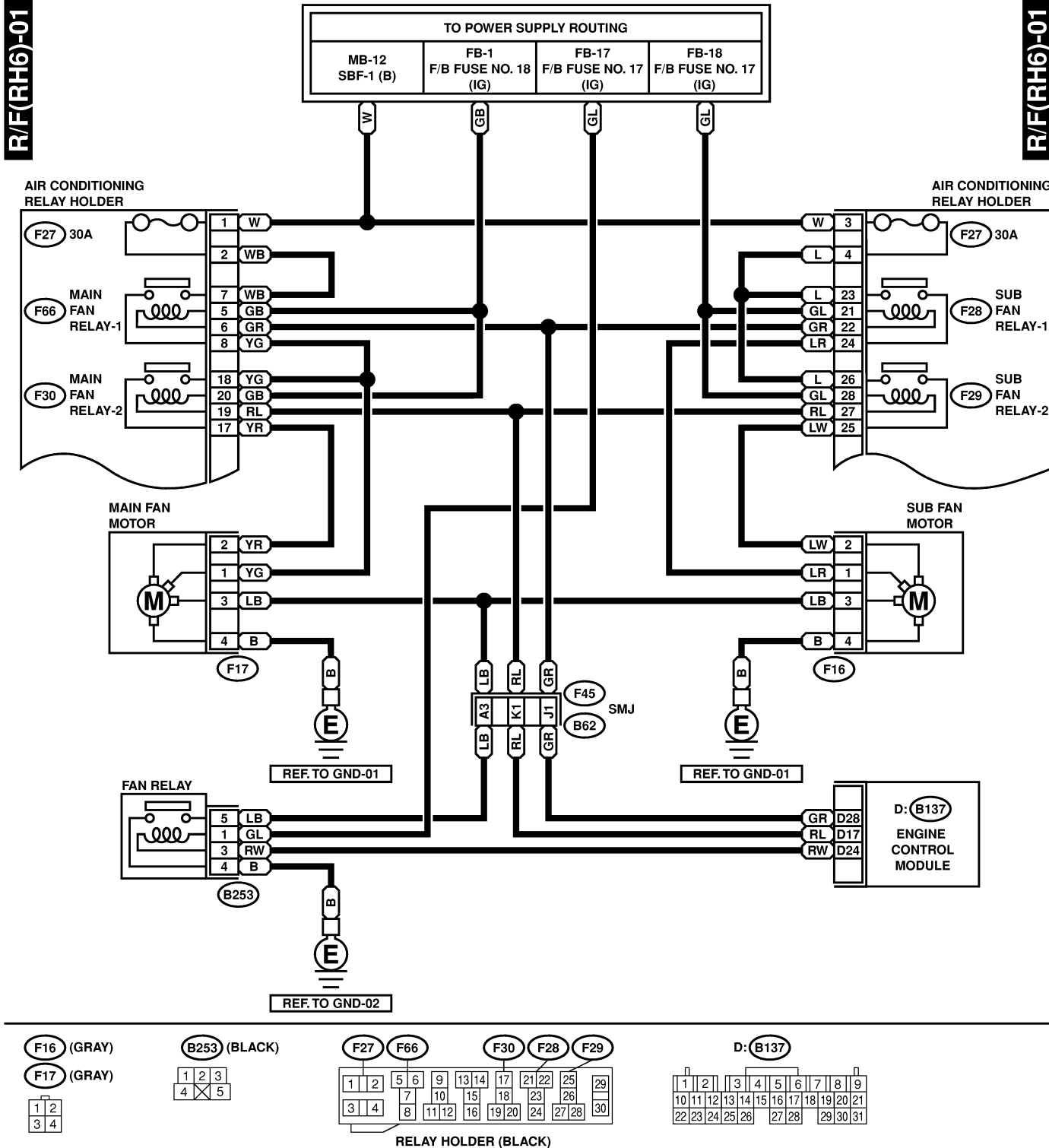
R/F(LH6)-01



RADIATOR FAN SYSTEM

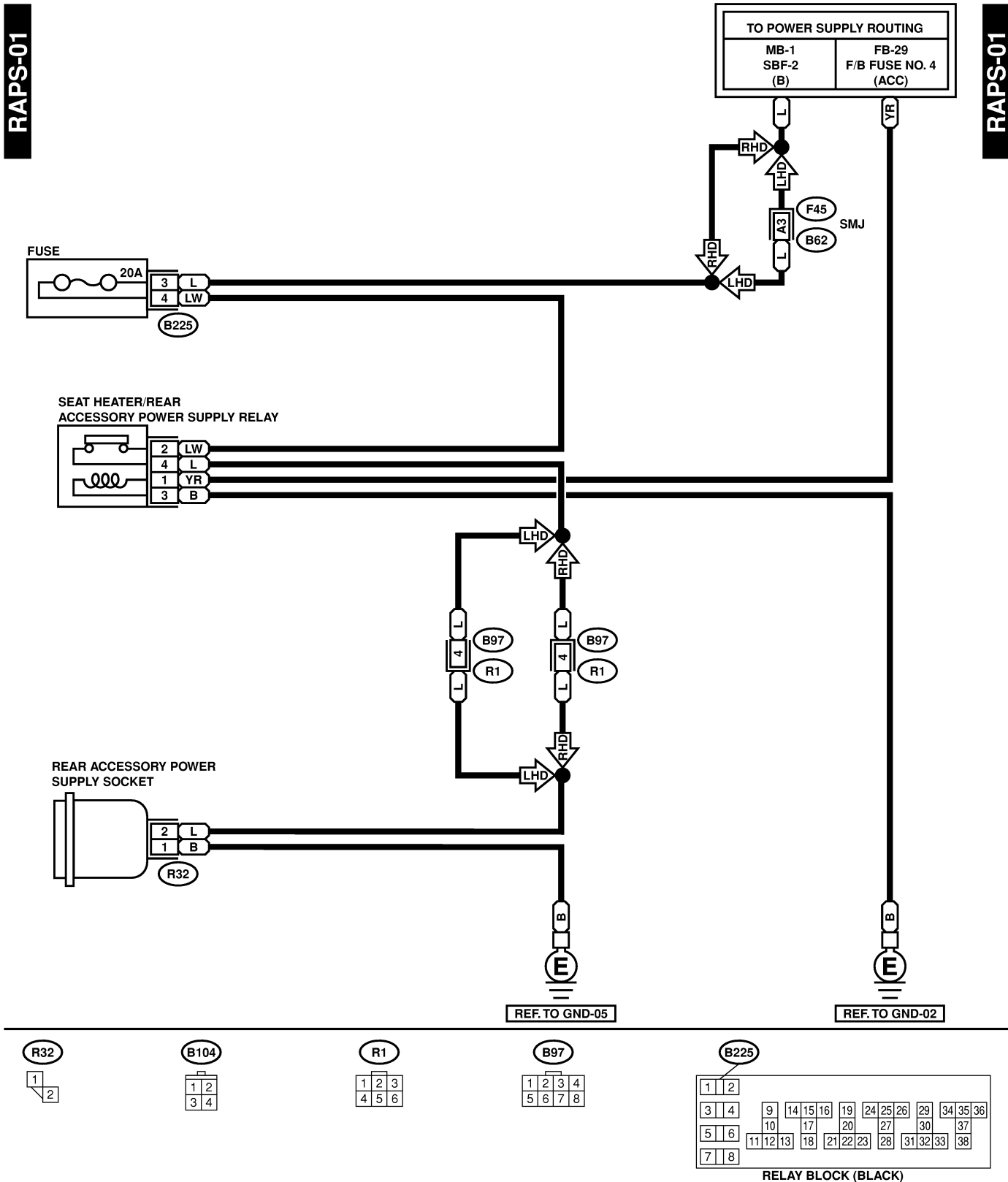
Wiring System

3. RHD-H6 MODEL S903480A2105



38. Rear Accessory Power Supply System S903670

A: SCHEMATIC S903670A21

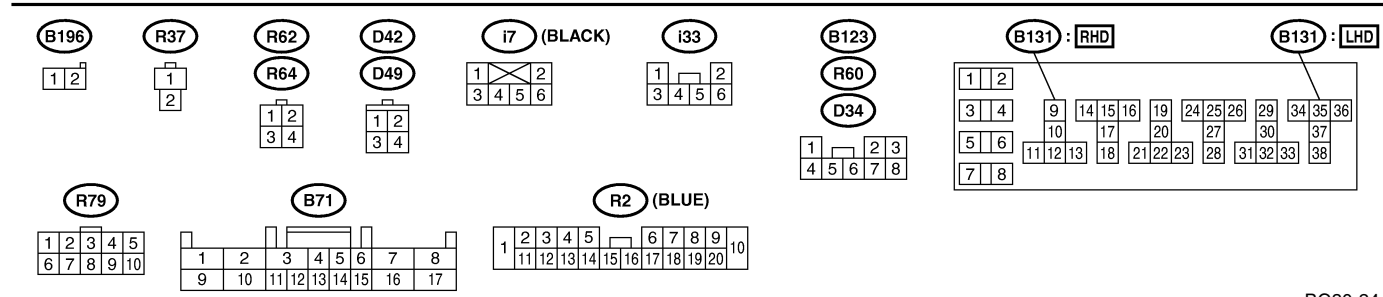
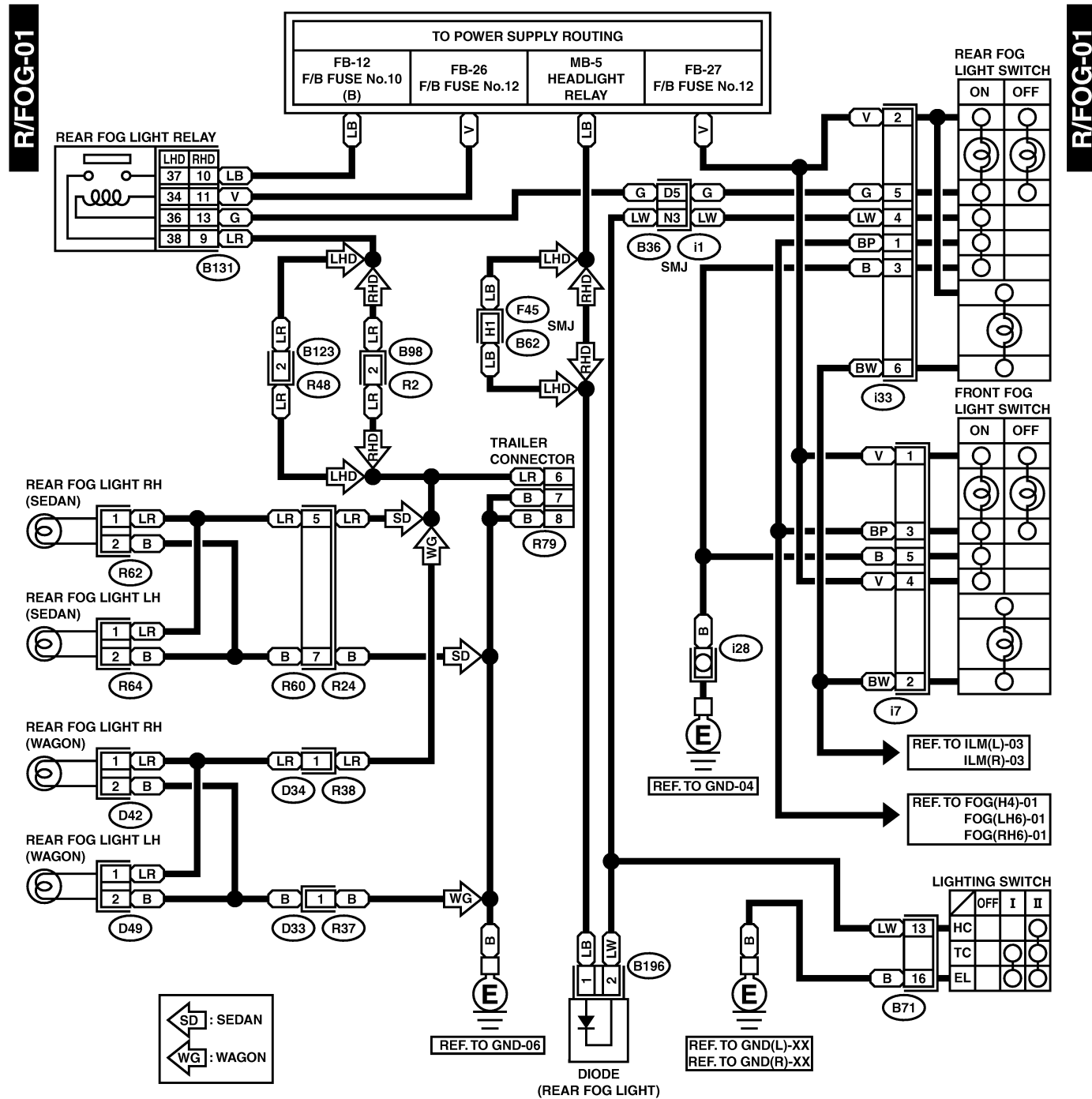


REAR FOG LIGHT SYSTEM

Wiring System

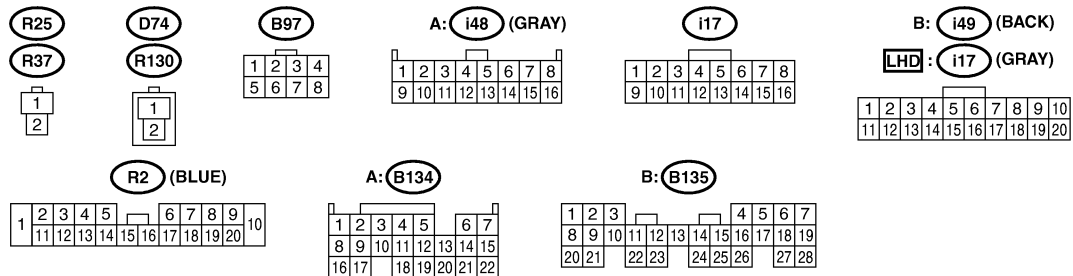
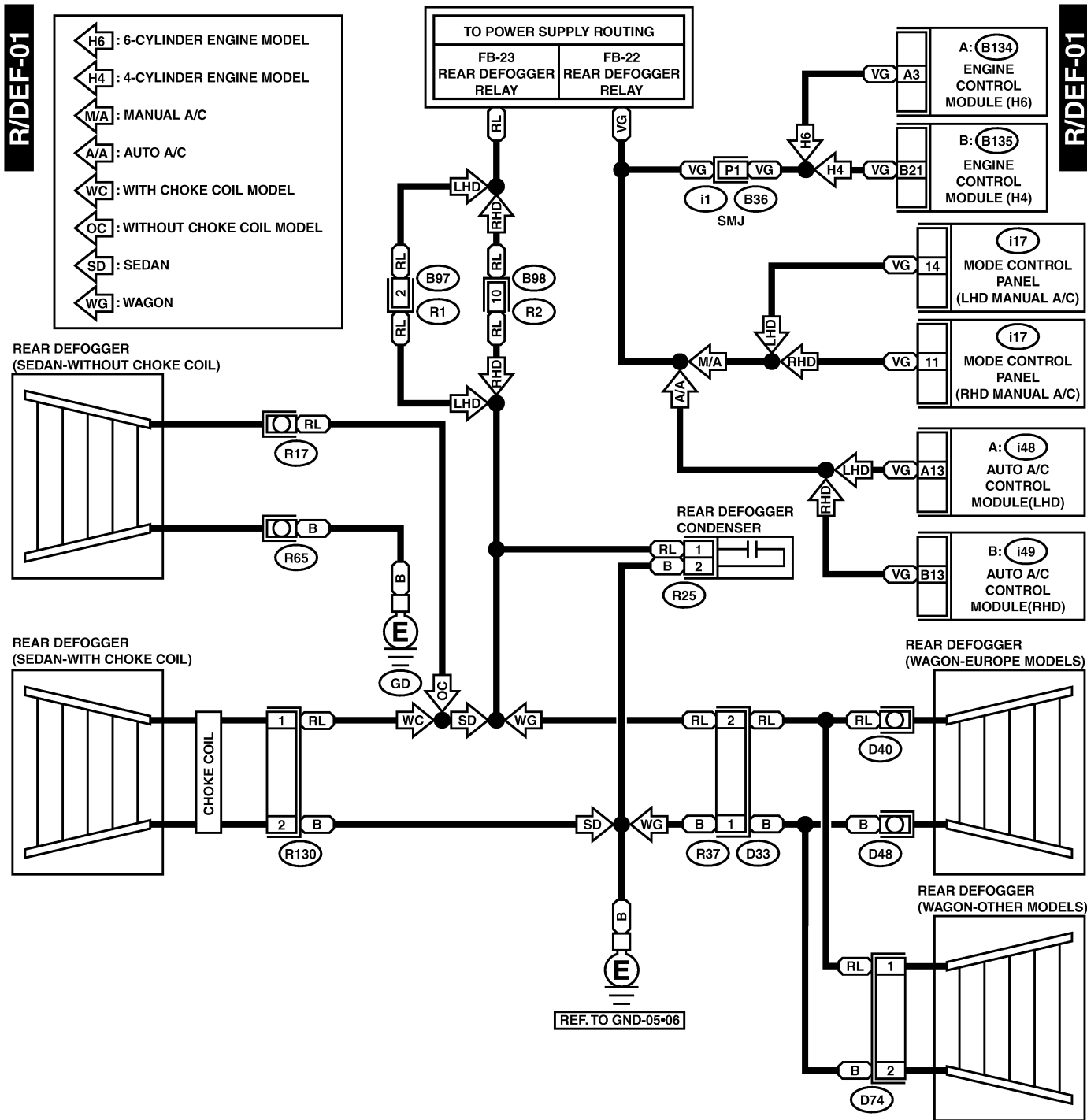
39. Rear Fog Light System S903476

A: SCHEMATIC S903476A21



40. Rear Window Defogger System S903455

A: SCHEMATIC S903455A21



REMOTE CONTROLLED REARVIEW MIRROR SYSTEM

Wiring System

41. Remote Controlled Rearview Mirror System

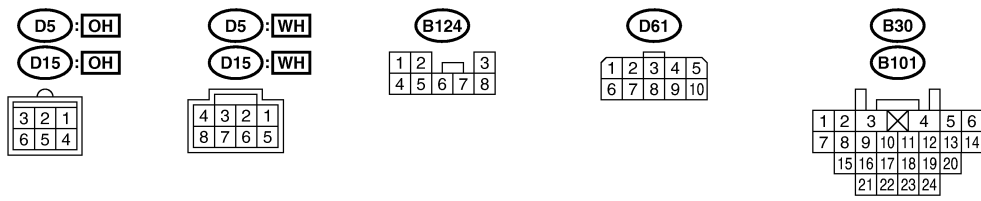
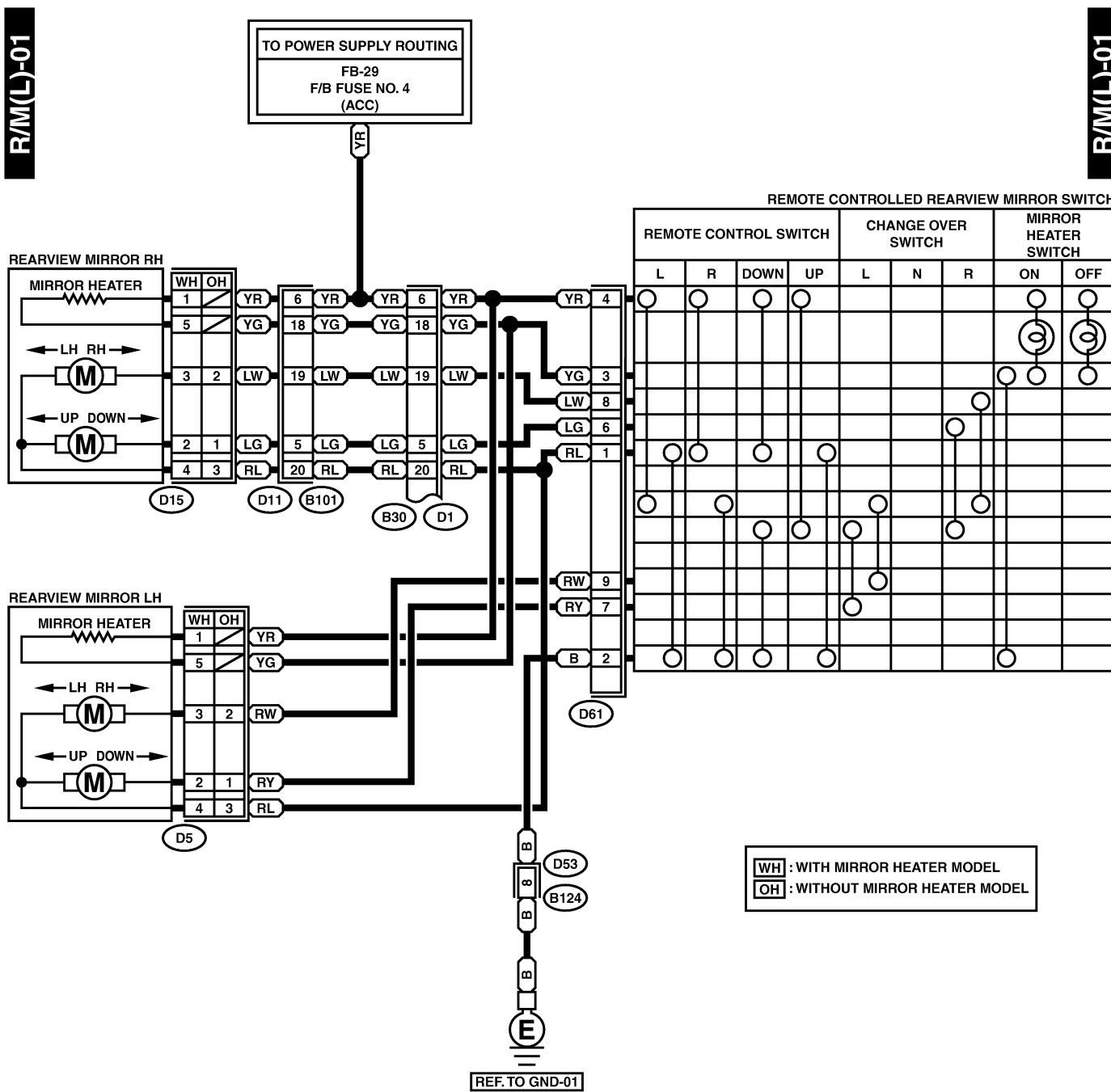
S903459

A: SCHEMATIC

S903459A21

1. LHD MODEL

S903459A2101

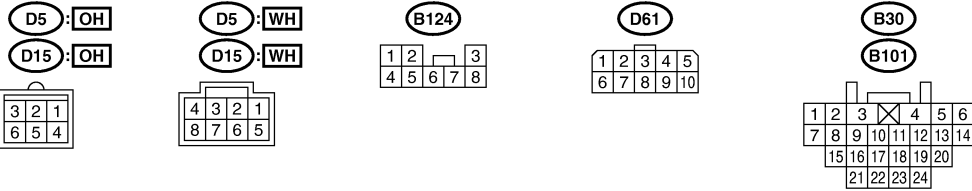
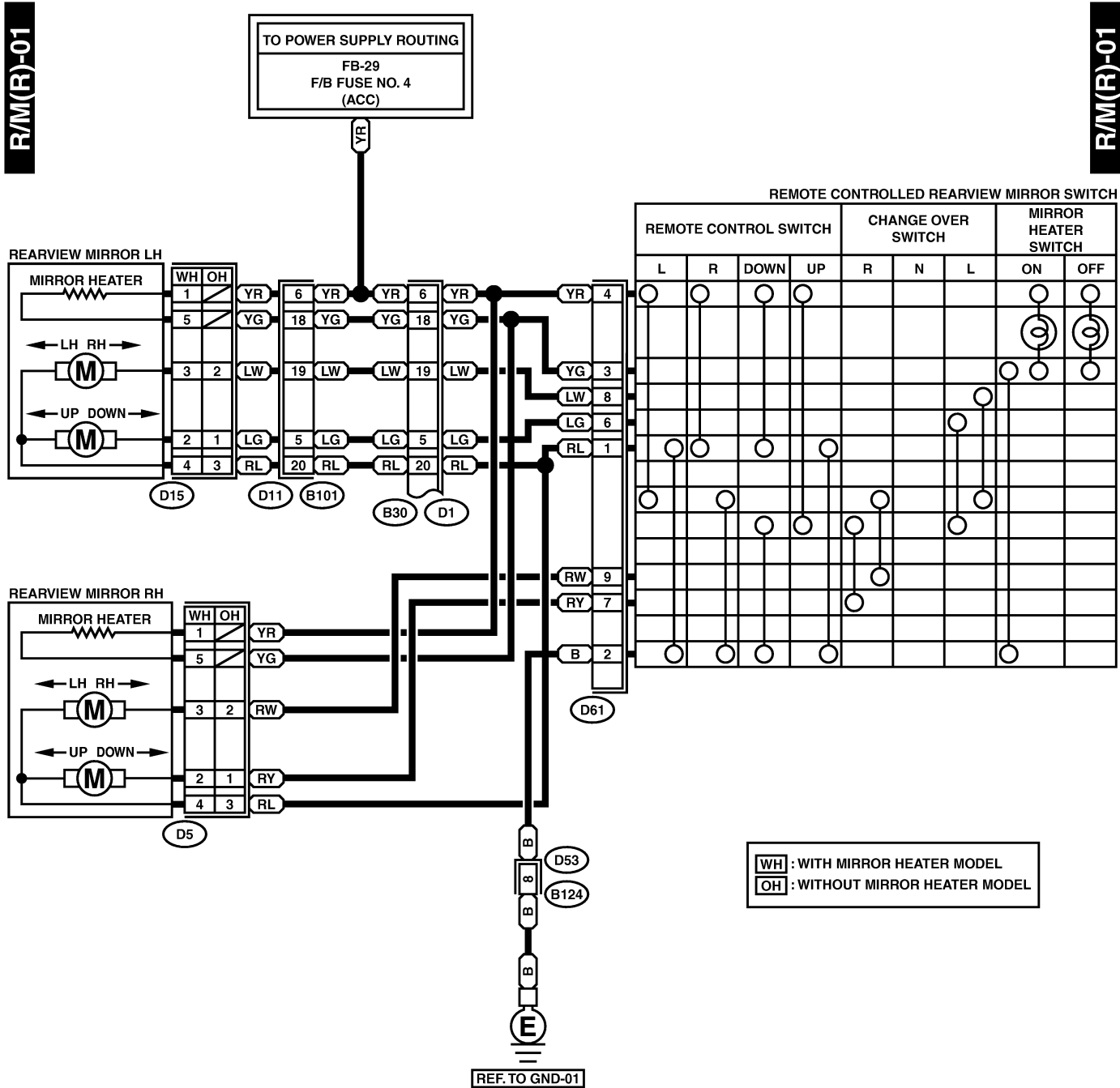


BL79-21

REMOTE CONTROLLED REARVIEW MIRROR SYSTEM

Wiring System

2. RHD MODEL S903459A2102



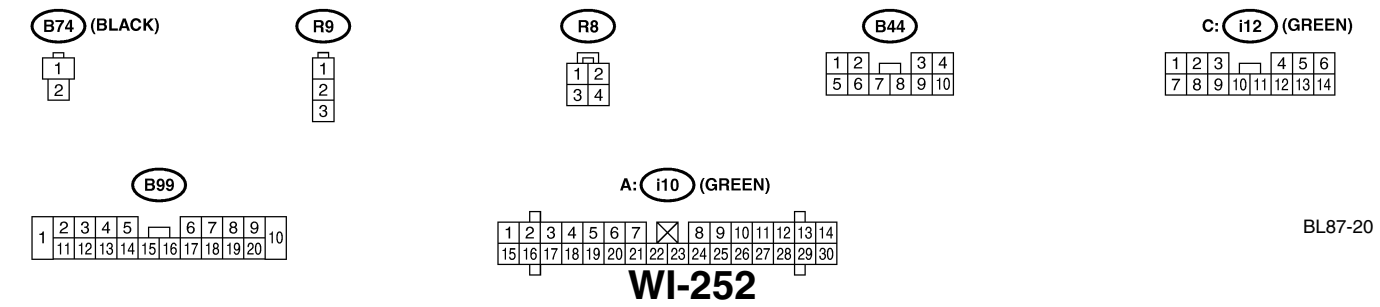
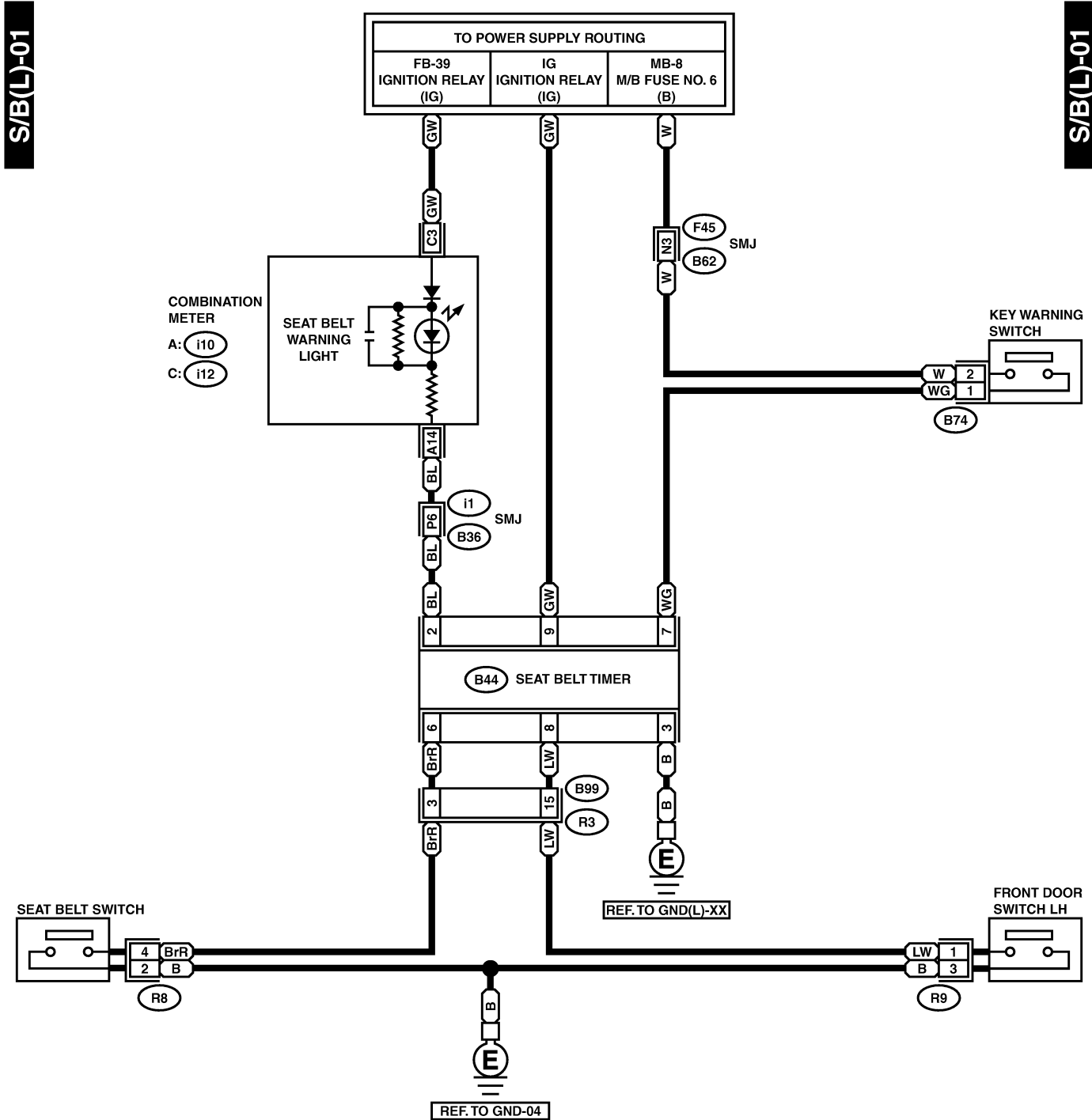
SEAT BELT WARNING SYSTEM

Wiring System

42. Seat Belt Warning System S903483

A: SCHEMATIC S903483A21

1. LHD MODEL S903483A2101



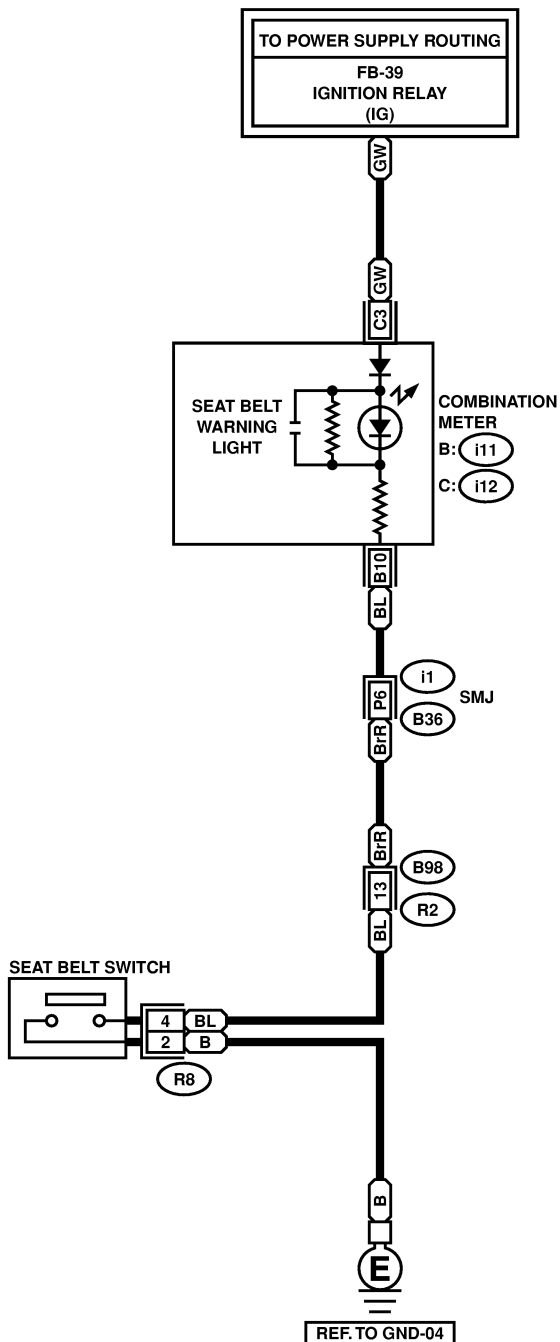
SEAT BELT WARNING SYSTEM

Wiring System

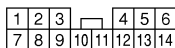
2. RHD MODEL S903483A2102

S/B(R)-01

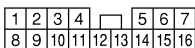
S/B(R)-01



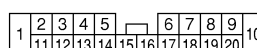
C: i12 (GREEN)



B: i11 (GREEN)



R2 (BLUE)



SEAT HEATER SYSTEM

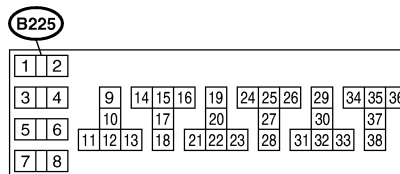
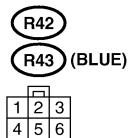
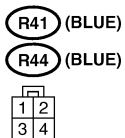
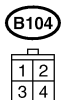
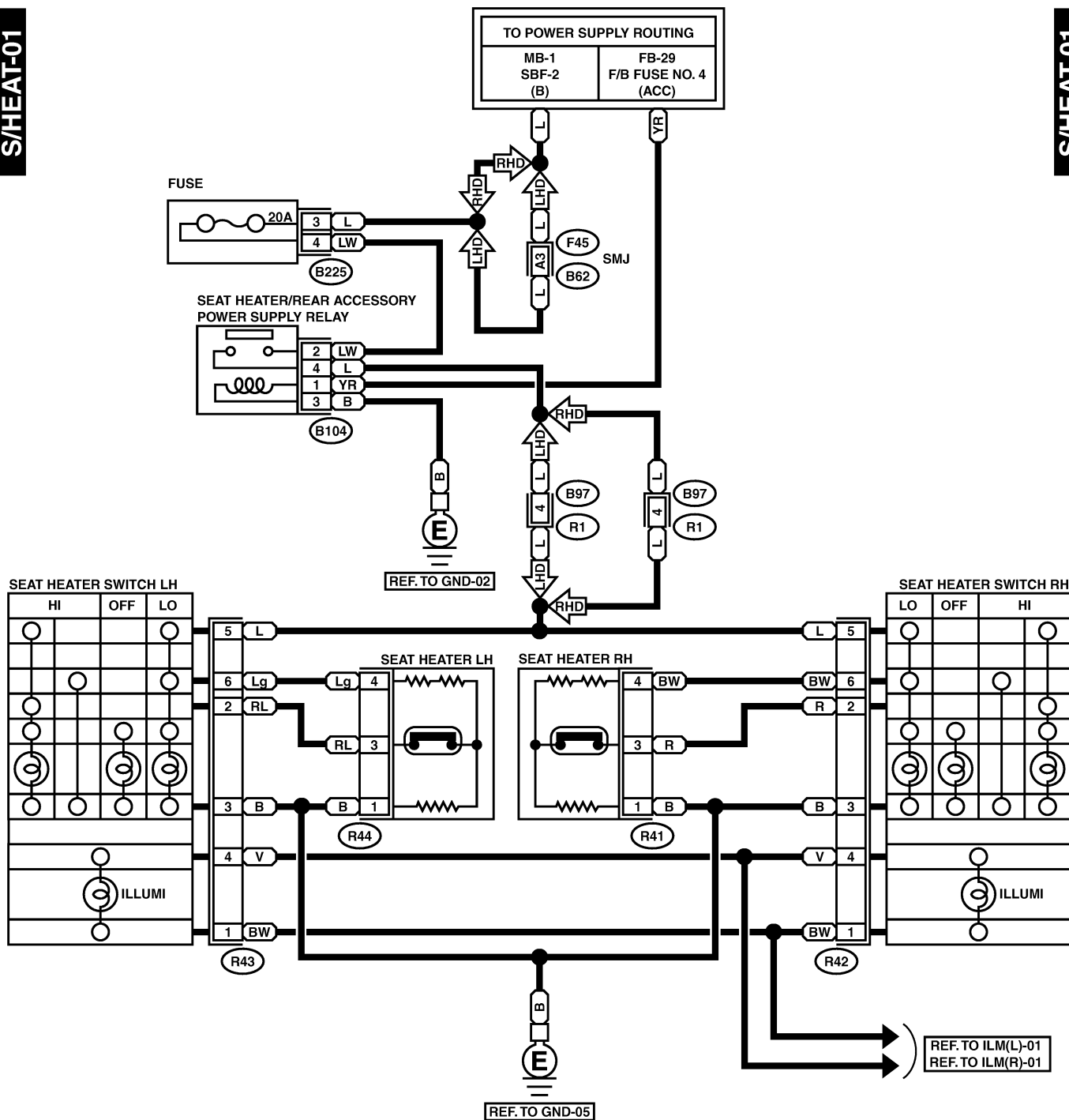
Wiring System

43. Seat Heater System S903462

A: SCHEMATIC S903462A21

S/HEAT-01

S/HEAT-01



RELAY BLOCK (BLACK)

44. Starter System S903439

A: SCHEMATIC S903439A21

