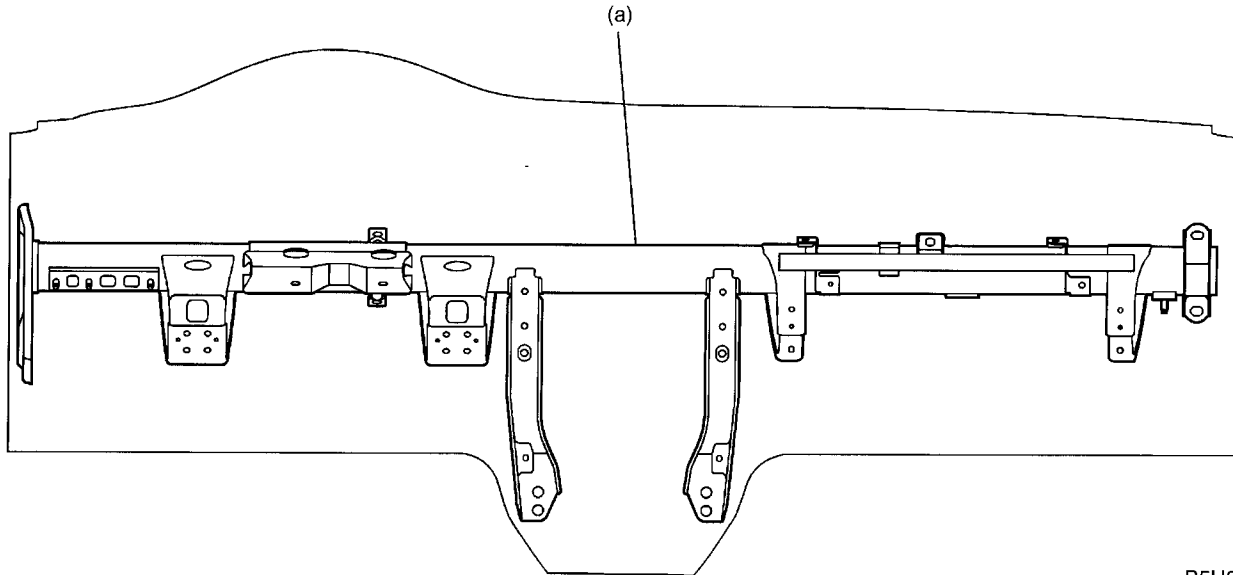


2. Steering Support Beam

A steering support beam (a) is provided between the left and right front pillars for reinforced support of the steering column. It also minimizes vibration of the steering column and limits its extension to a minimum in the event of a collision.



B5H0830A