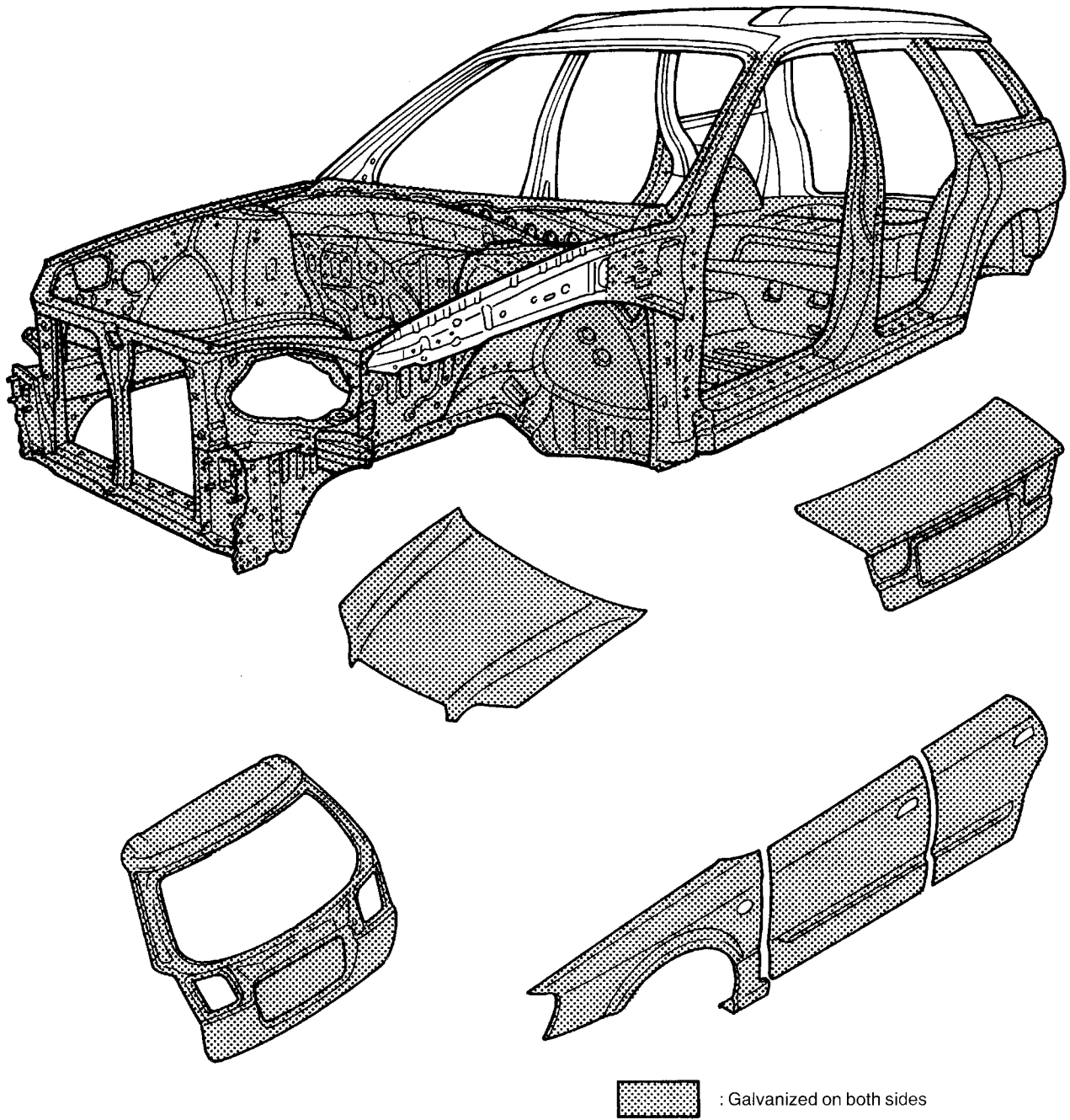


## 12. Galvanized Sheet Metal Application



B5H0838B