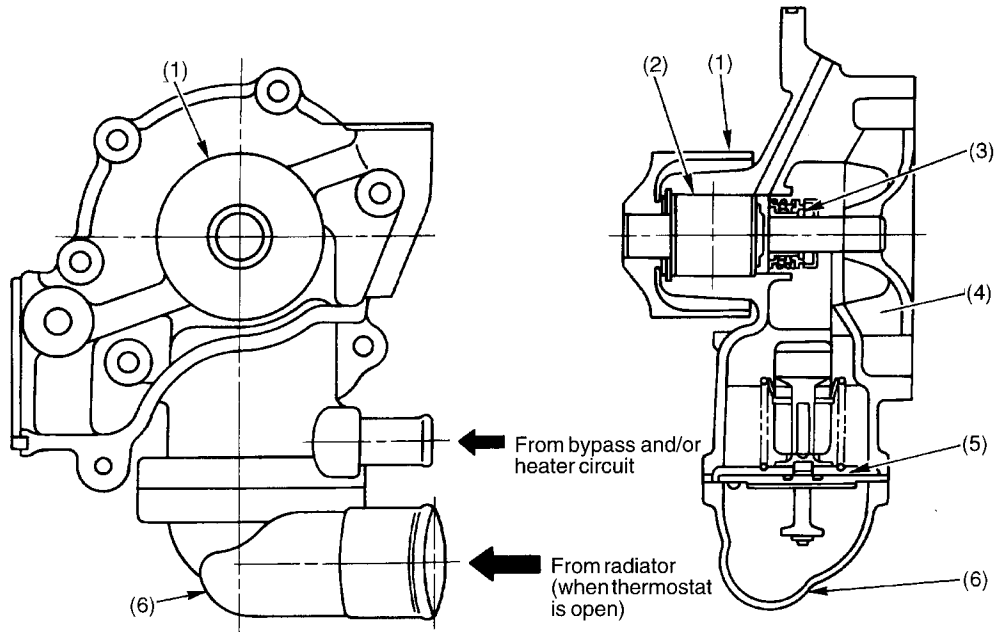


WATER PUMP

Cooling

3. Water Pump

The water pump is located in the front portion of the left bank cylinder block and is driven by the engine through the timing belt. The thermostat is fitted into the coolant inlet at the bottom of the water pump. When the pump's impeller rotates, the coolant is drawn into the pump from the lower pipe (which is connected to the radiator hose) via the thermostat. It then flows along the perimeter of the impeller and then is discharged for circulation through a circuit depending on the coolant temperature.



H2H2324C

- | | | |
|------------------|---------------------|---------------------|
| (1) Pulley | (3) Mechanical seal | (5) Thermostat |
| (2) Ball bearing | (4) Impeller | (6) Thermostat case |