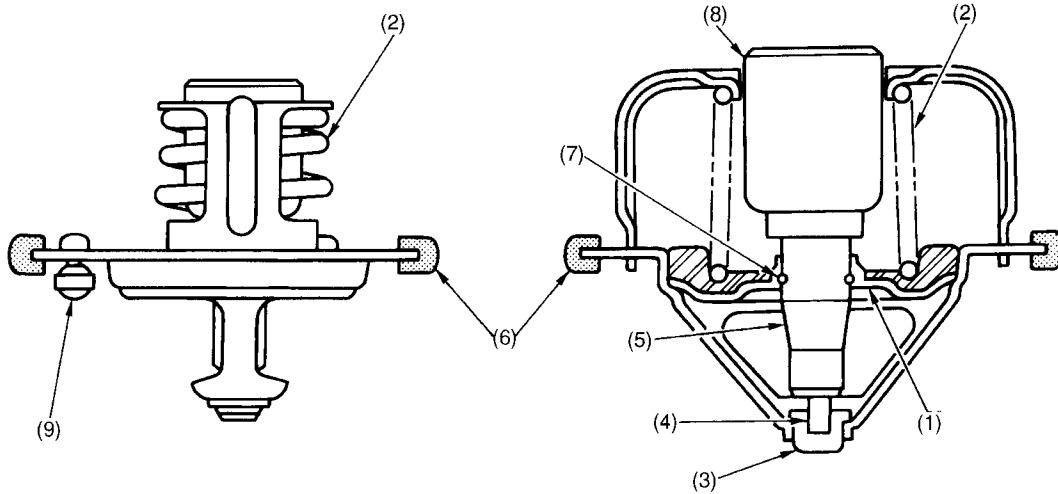


## 5. Thermostat

The thermostat has a totally-enclosed wax pellet which expands as the coolant temperature increases. It opens and closes accurately at the preset temperatures and features high durability.



H2H2326

- (1) Valve
- (2) Spring
- (3) Stopper

- (4) Piston
- (5) Guide
- (6) Rubber packing

- (7) Stop ring
- (8) Wax element
- (9) Jiggle valve