

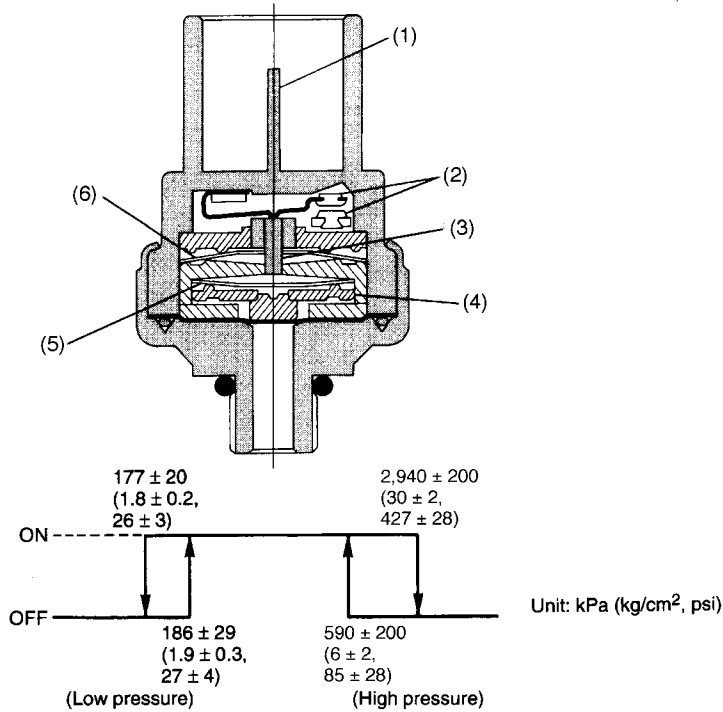
PRESSURE SWITCH

HVAC System (Heater, Ventilator and A/C)

12. Pressure Switch

The pressure switch is located on the high-pressure line to the receiver drier. When an abnormally high or low pressure occurs in the high-pressure line, the pressure switch turns OFF to stop operation of the compressor.

- When the pressure is abnormally low [177 kPa (1.8 kg/cm², 26 psi) or less]
The pressure switch turns OFF assuming that the refrigerant is lost due to leakage.
- When the pressure is abnormally high [2,940 kPa (30 kg/cm², 427 psi) or more]
The pressure switch turns OFF to prevent the system from being damaged.



B4H0172C

- | | |
|--------------------|-------------------------------|
| (1) Point terminal | (4) Pressure guide |
| (2) Contact point | (5) High-pressure disc spring |
| (3) Guide pin | (6) Low-pressure disc spring |