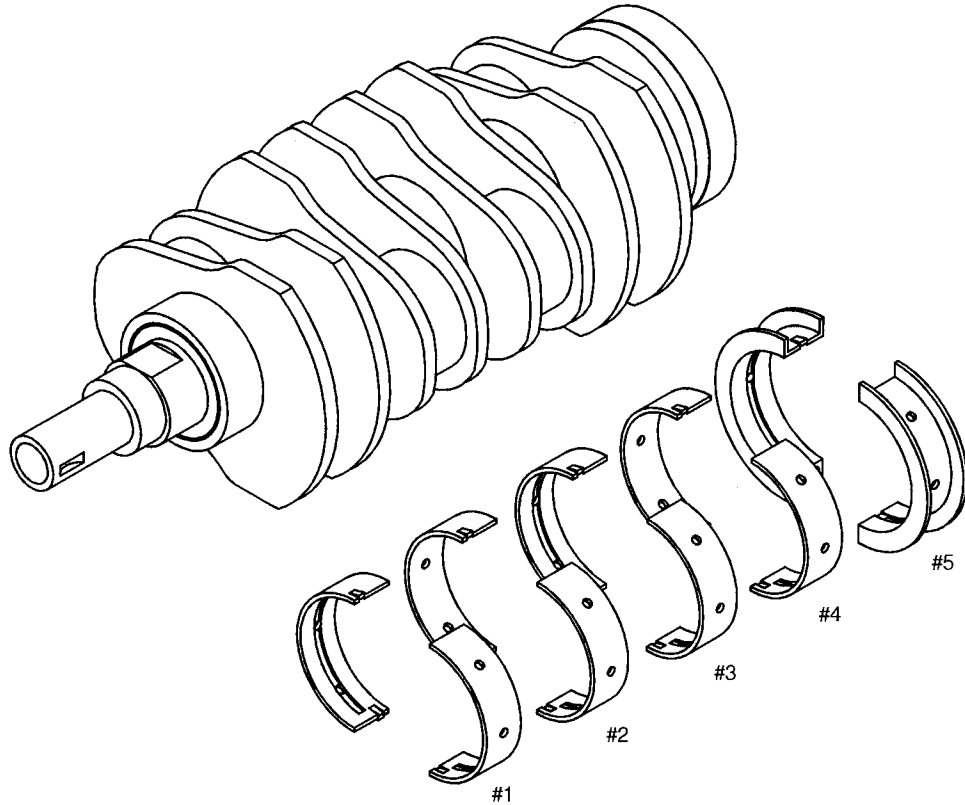


CRANKSHAFT

Mechanical

9. Crankshaft

The crankshaft is supported in the cylinder block by five bearings. Each corner formed by a journal or pin and a web is finished by fillet-rolling method which increases strength of that area. The five crankshaft bearings are made of aluminum alloy and the No. 5 bearing is provided with a flanged metal to support thrust forces.



B2H1978A