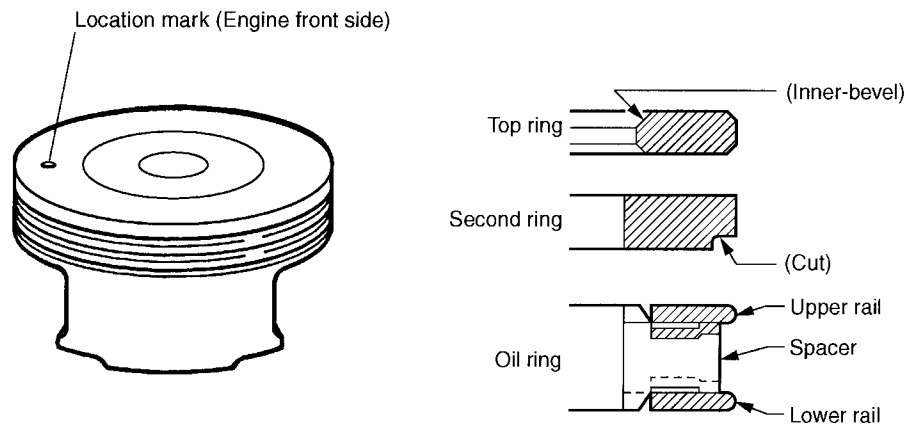


9. Piston

- The pistons are of a slipper skirt design for reduced weight and friction. The oil control ring groove utilizes a thermal design.
- The piston pin is offset either downward (Nos. 1, 3 and 5 pistons) or upward (Nos. 2, 4 and 6 pistons).
- The piston crown is spherically concaved and has no recesses for valve head clearance. All the right and left bank pistons are the same in shape. Each piston has a location mark (mark indicating the front of engine) on its top.
- Three piston rings are used for each piston – two compression rings and one oil control ring. The top piston ring has inner bevels and the second piston ring has a cut on the bottom outside to reduce oil consumption.



B2H3901A