

REAR SEAT

Seats

2. Rear Seat

A: OPERATION

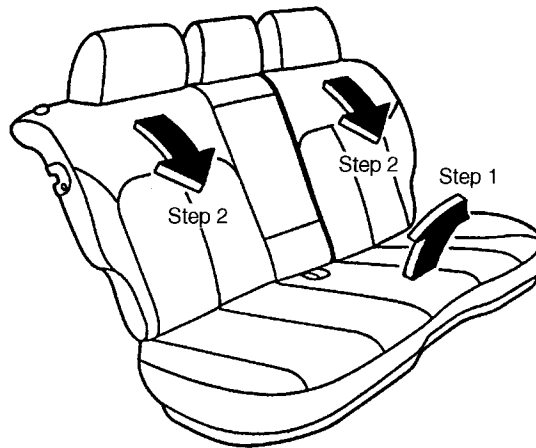
SEDAN

A trunk-through hatch is provided behind the armrest. It is accessed by folding down the central portion of backrest which also serves as an armrest in its down position.



WAGON

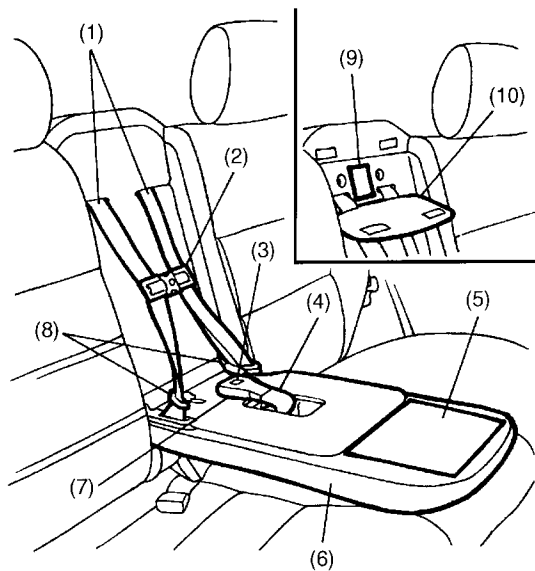
The rear seat is foldable by following the illustrated steps.



B5H0826B

B: BUILT-IN CHILD RESTRAINT

The built-in child restraint is designed for use only with a child who is between 9.05 kg (20 lb.) and 18.09 kg (40 lb.) in weight, 1100 mm (44.3 in) or less in height, capable of sitting upright by itself and a shoulder lower than the shoulder belt slot.



B5H0827A

- (1) Lap-shoulder belt
- (2) Chest clip
- (3) Release button
- (4) Crotch belt
- (5) Warning label
- (6) Child restraint cushion
- (7) Belt buckle
- (8) Tongue plate
- (9) Maximum shoulder height indicator label
- (10) Removable pad