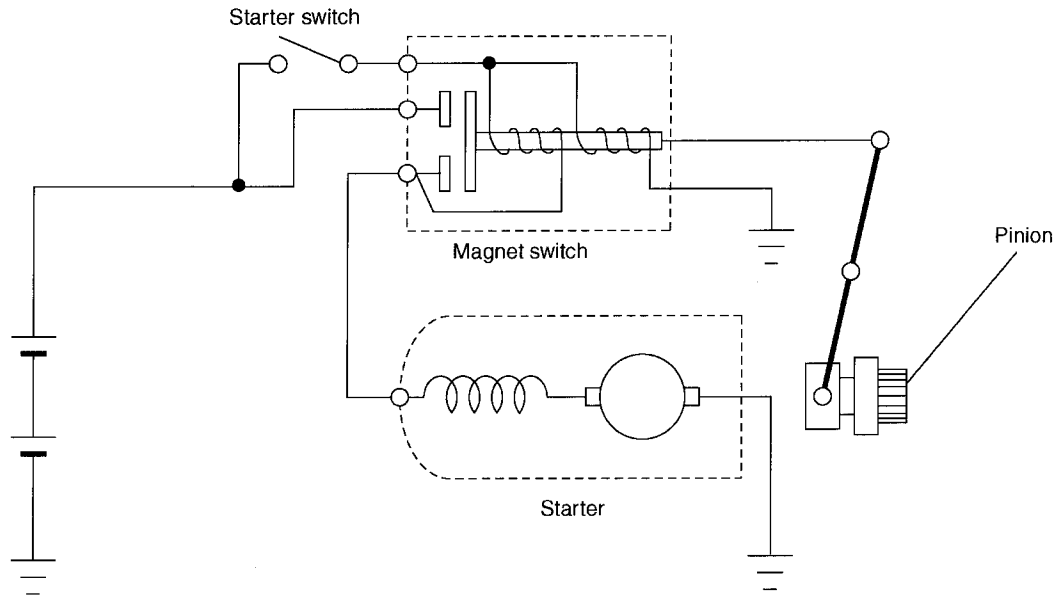


STARTER

Starting/Charging

1. Starter

The starter is of a reduction type. Its output is 1.0 kW on the MT model and 1.4 kW on the AT model.



B2H3980A