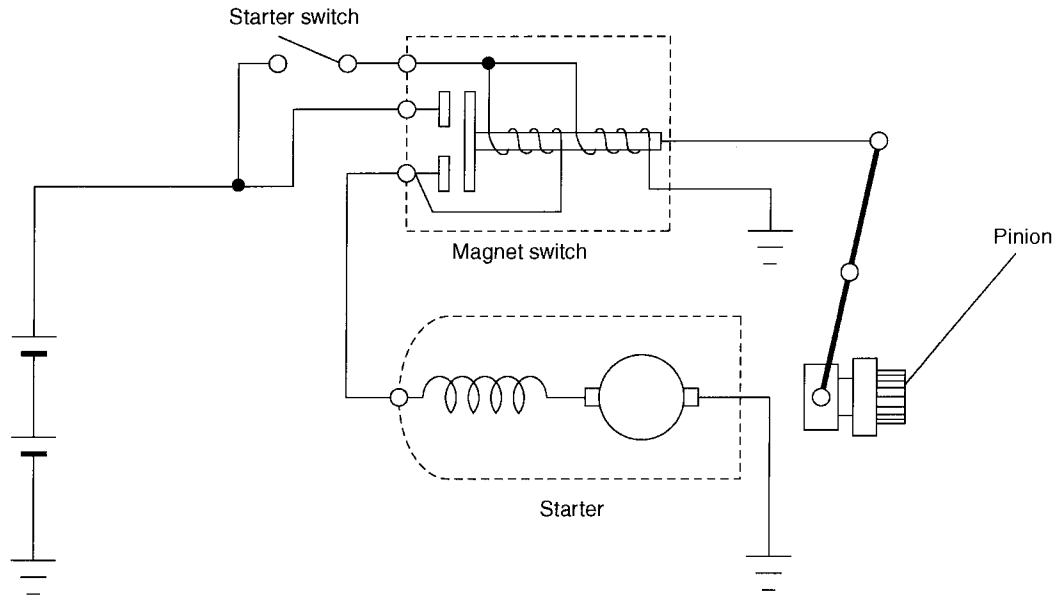


# STARTER

Starting/Charging

## 1. Starter

The starter is of a reduction type. Its output is 1.4 kW.



B2H3980A