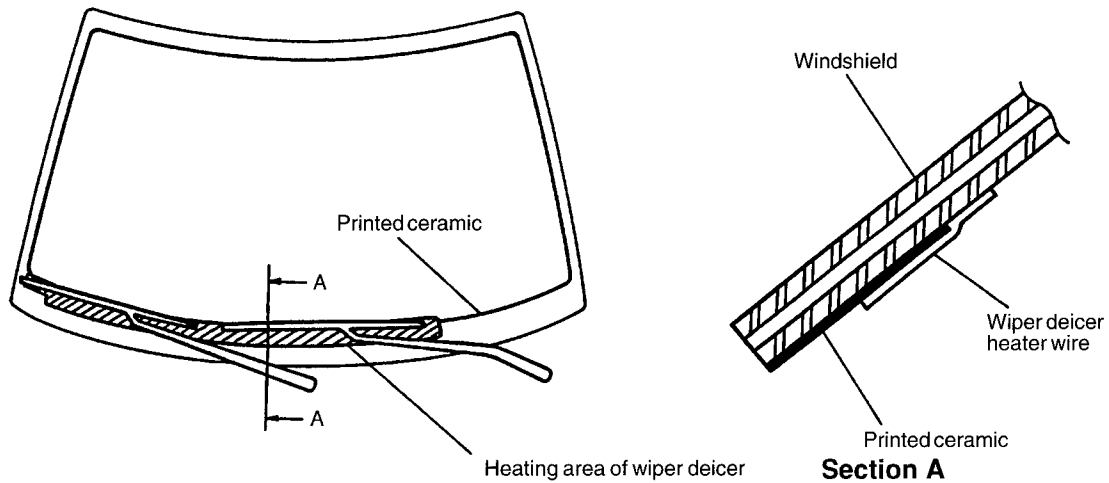


3. Windshield Wiper Deicer

A: CONSTRUCTION

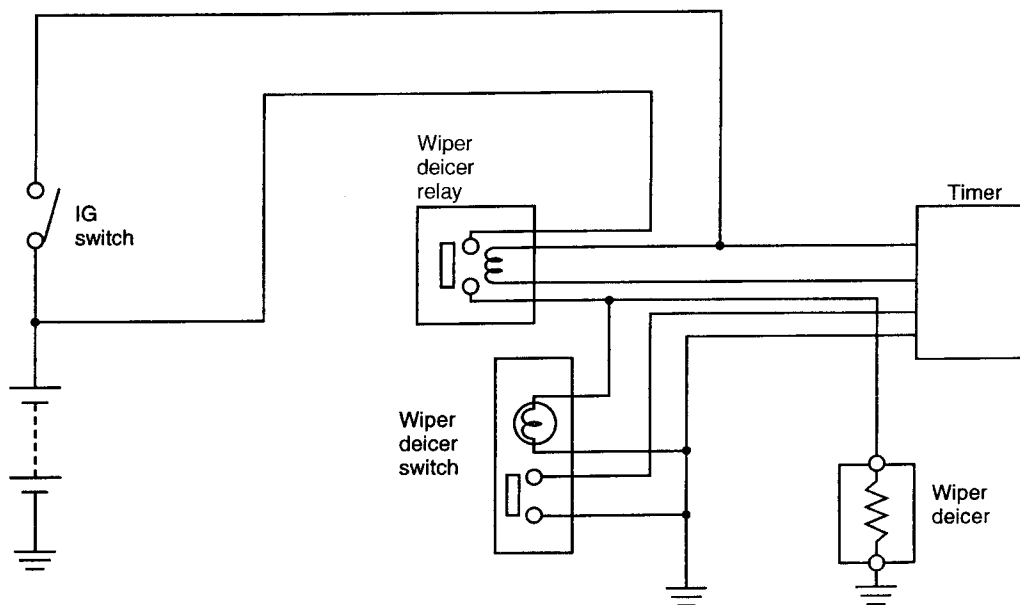
The wiper deicer system is activated when the wiper deicer switch is pressed with the ignition switch turned ON. It heats the lower part of the windshield with a heater wire to melt the ice that blocks the wiper blades.

The system turns off automatically in 15 minutes after the wiper deicer switch is turned ON.



B6H0857C

B: CIRCUIT DIAGRAM



B6H0858