

9. Reservoir Tank S601075

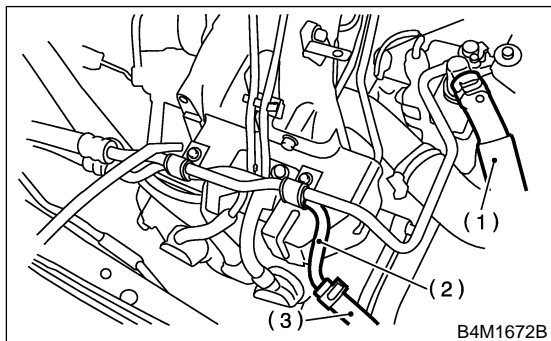
A: REMOVAL S601075A18

1. 2.5 l MODEL S601075A1801

- 1) Drain fluid from the reservoir tank.
- 2) Disconnect pipe D from return hose and suction hose from oil pump.

CAUTION:

- Do not allow fluid from the hose end to come into contact with pulley belt.
- To prevent foreign matter from entering the hose and pipe, cover the open ends of them with a clean cloth.



- (1) Suction hose
- (2) Pipe D
- (3) Return hose

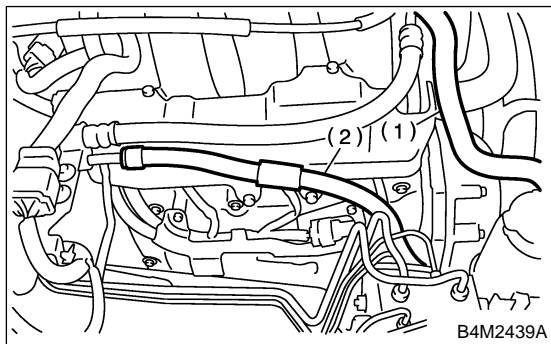
- 3) Remove reservoir tank from bracket by pulling it upwards.

2. 3.0 l MODEL S601075A1802

- 1) Drain fluid from the reservoir tank.
- 2) Disconnect return hose and suction hose from reservoir tank.

CAUTION:

- Do not allow fluid from the hose end to come into contact with pulley belt.
- To prevent foreign matter from entering the hose, cover the open ends of them with a clean cloth.



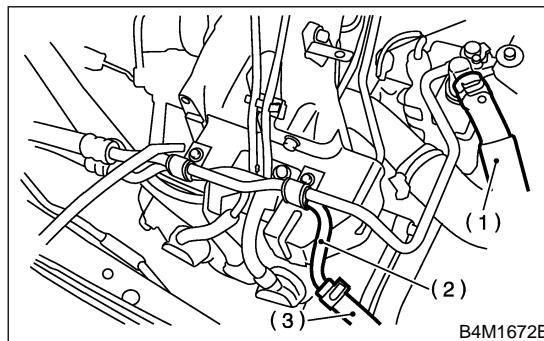
- (1) Suction hose
- (2) Return hose

- 3) Remove reservoir tank from bracket by pulling it upwards.

B: INSTALLATION S601075A11

1. 2.5 l MODEL S601075A1101

- 1) Install reservoir tank to bracket.
- 2) Connect pipes D to return hose and suction hose to oil pump.

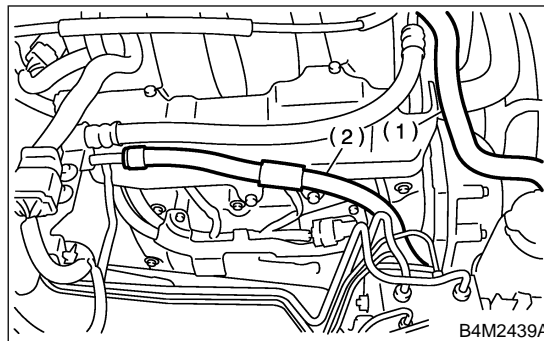


- (1) Suction hose
- (2) Pipe D
- (3) Return hose

- 3) Feed the specified power steering fluid. <Ref. to PS-60 Power Steering Fluid.>

2. 3.0 l MODEL S601075A1102

- 1) Install reservoir tank to bracket.
- 2) Connect pressure hose and suction hose to oil pump.



- (1) Suction hose
- (2) Return hose

- 3) Feed the specified power steering fluid. <Ref. to PS-60 Power Steering Fluid.>

C: INSPECTION S601075A10

Check reservoir tank for cracks, breakage, or damage. If any cracks, breakage, or damage is found, replace reservoir tank.