

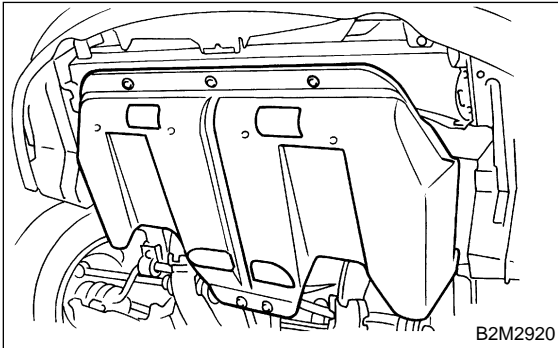
6. Oil Pan and Strainer S148071

A: REMOVAL S148071A18

NOTE:

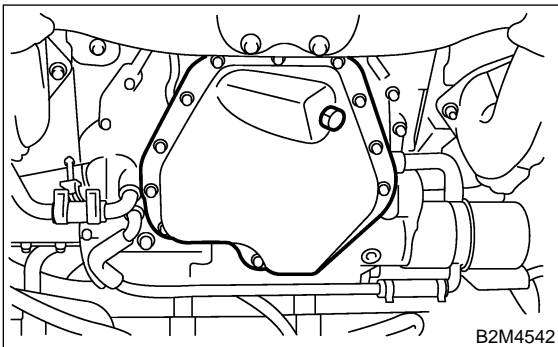
Oil pan upper cannot be removed from the normal vehicle position. The engine must be separated from the body prior to removal. <Ref. to ME(H6)-32, REMOVAL, Engine Assembly.>

- 1) Set the vehicle on lift arms.
- 2) Lift-up the vehicle.
- 3) Remove under cover.



B2M2920

- 4) Drain engine oil.
Set container under the vehicle, and remove drain plug from oil pan.

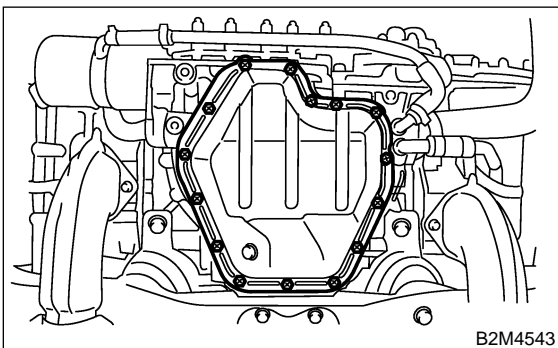


B2M4542

- 5) Insert oil pan cutter blade between upper and lower oil pans.

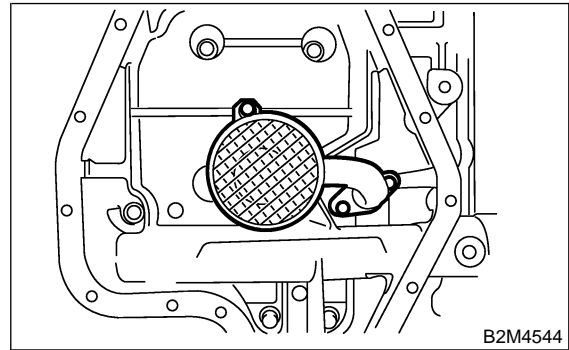
CAUTION:
Do not use a screwdriver or similar tool in place of oil pan cutter.

- 6) Remove oil pan.



B2M4543

- 7) Remove oil strainer.



B2M4544

B: INSTALLATION S148071A11

CAUTION:

Before installing oil pan, clean sealant from lower oil pan and upper oil pan.

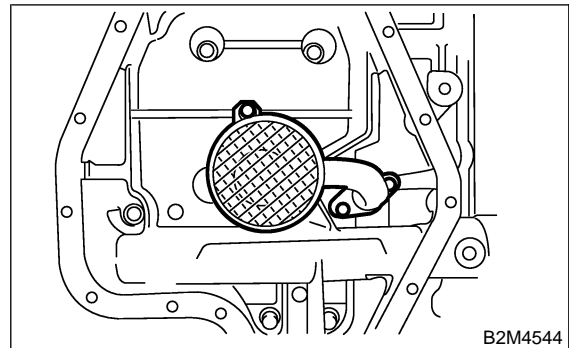
- 1) Install oil strainer onto baffle plate.

CAUTION:

Replace O-ring with a new one.

Tightening torque:

6.4 N·m (0.65 kgf·m, 4.7 ft·lb)

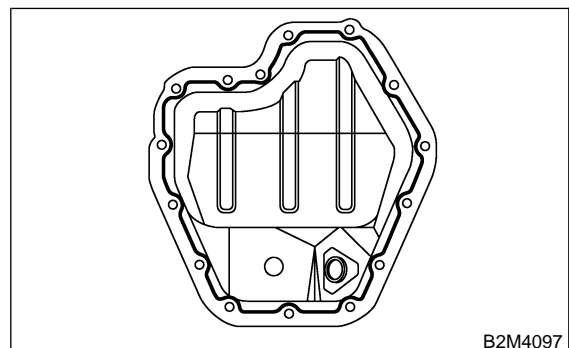


B2M4544

- 2) Apply fluid packing to mating surfaces and install oil pan.

Fluid packing:

THREE BOND 1280B



B2M4097

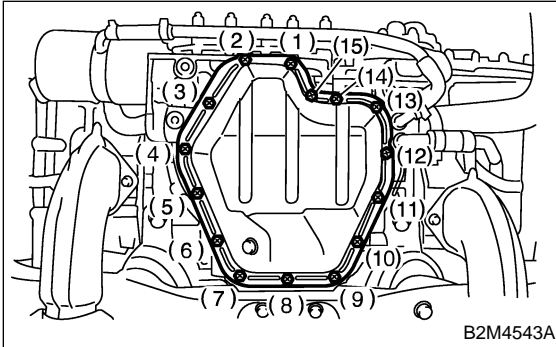
OIL PAN AND STRAINER

Lubrication

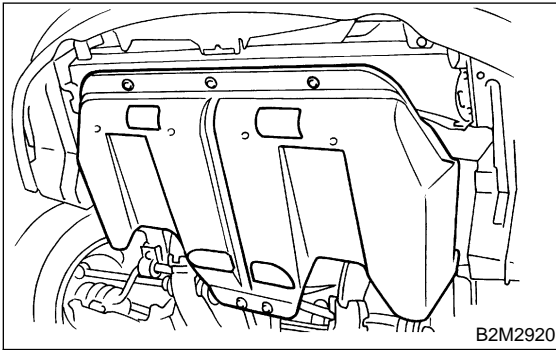
3) Tighten the lower oil pan mounting bolts in the numerical sequence shown in the figure.

Tightening torque:

5 N·m (0.5 kgf-m, 3.6 ft-lb)



4) Install under cover.



5) Fill engine oil. <Ref. to LU(H6)-10 INSPECTION, Engine Oil.>

C: INSPECTION S148071A10

By visual check make sure oil pan, oil strainer and oil strainer stay are not damaged.