

1. Basic Diagnostics Procedure

S903627

A: BASIC PROCEDURES

S903267E31

1. GENERAL

S903267E3101

The most important purpose of diagnostics is to determine which part is malfunctioning quickly, to save time and labor.

2. IDENTIFICATION OF TROUBLE SYMPTOM

S903627E3102

Determine what the problem is based on the symptom.

3. PROBABLE CAUSE OF TROUBLE

S903627E3103

Look at the wiring diagram and check the system's circuit. Then check the switch, relay, fuse, ground, etc.

4. LOCATION AND REPAIR OF TROUBLE

S903627E3104

- 1) Using the diagnostics narrow down the causes.
- 2) If necessary, use a voltmeter, ohmmeter, etc.
- 3) Before replacing certain component parts (switch, relay, etc.), check the power supply, ground, for open wiring harness, poor connectors, etc. If no problems are encountered, check the component parts.

5. CONFIRMATION OF SYSTEM OPERATION

S903267E3105

After repairing, ensure that the system operates properly.

B: BASIC INSPECTION

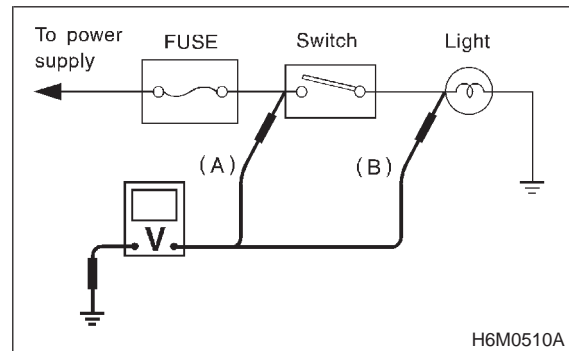
S903627G51

1. VOLTAGE MEASUREMENT

S903627G5101

- 1) Using a voltmeter, connect the negative lead to a good ground point or negative battery terminal and the positive lead to the connector or component terminal.
- 2) Contact the positive probe of the voltmeter on connector (A). The voltmeter will indicate a voltage.

- 3) Shift the positive probe to connector (B). The voltmeter will indicate no voltage.



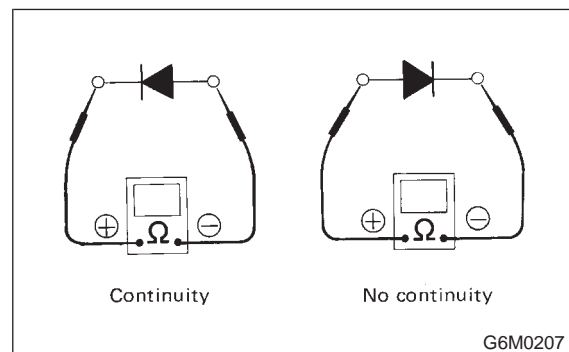
H6M0510A

- 4) With test set-up held as it is, turn switch ON. The voltmeter will indicate a voltage and, at the same time, the light will come on.
- 5) The circuit is in good order. If a problem such as a lamp failing to light occurs, use the procedures outlined above to track down the malfunction.

2. CIRCUIT CONTINUITY CHECKS

S903627G5102

- 1) Disconnect the battery terminal or connector so there is no voltage between the check points. Contact the two leads of an ohmmeter to each of the check points. If the circuit has diodes, reverse the two leads and check again.
- 2) Use an ohmmeter to check for diode continuity. When contacting the negative lead to the diode positive side and the positive lead to the negative side, there should be continuity. When contacting the two leads in reverse, there should be no continuity.



G6M0207

BASIC DIAGNOSTICS PROCEDURE

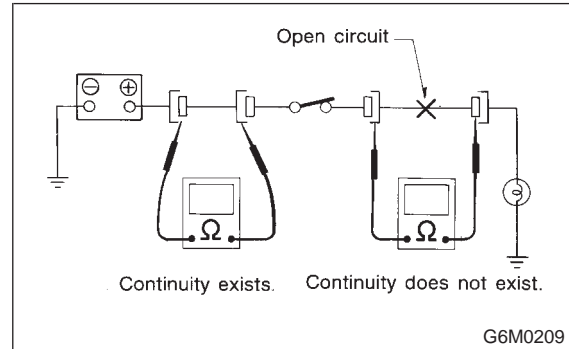
Wiring System

3) Symbol "○—○" indicates that continuity exists between two points or terminals. For example, when a switch position is "3", continuity exists among terminals 1, 3 and 6, as shown in table below.

Terminal	1	2	3	4	5	6
Switch Position						
OFF						
1	○—○				○—○	
2	○—○			○—○		○—○
3	○—○		○—○			○—○
4	○—○	○—○				○—○

B6M0749

2) Ohmmeter method:
Disconnect all connectors affected, and check continuity in the wiring between adjacent connectors. When the ohmmeter indicates "infinite", the wiring is open.

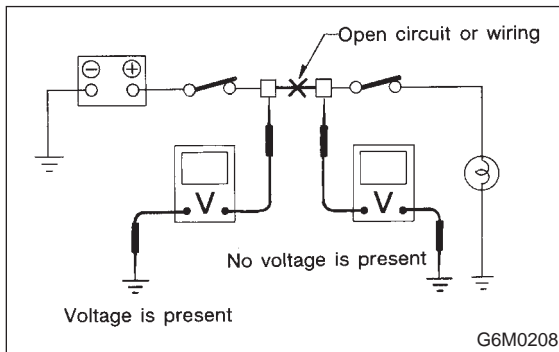


3. HOW TO DETERMINE AN OPEN CIRCUIT

S903627G5103

1) Voltmeter Method:

An open circuit is determined by measuring the voltage between respective connectors and ground using a voltmeter, starting with the connector closest to the power supply. The power supply must be turned ON so that current flows in the circuit. If voltage is not present between a particular connector and ground, the circuit between that connector and the previous connector is open.

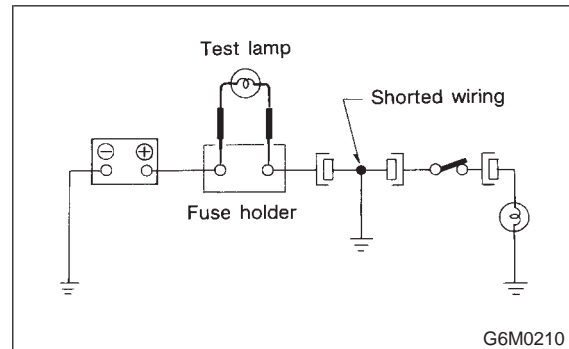


4. HOW TO DETERMINE A SHORT CIRCUIT

S903627G5104

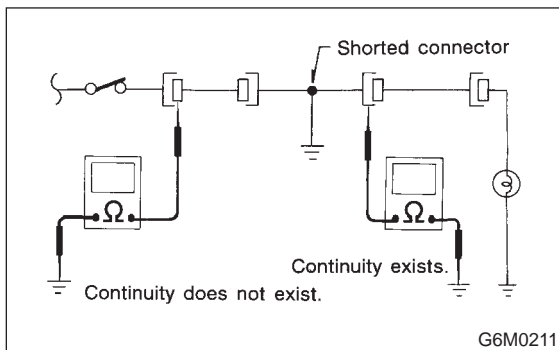
1) Test lamp method:

Connect a test lamp (rated at approximately 3 watts) in place of the blown fuse and allow current to flow through the circuit. Disconnect one connector at a time from the circuit, starting with the one located farthest from the power supply. If the test lamp goes out when a connector is disconnected, the wiring between that connection and the next connector (farther from the power supply) is shorted.



2) Ohmmeter method:

Disconnect all affected connectors, and check continuity between each connector and ground. When ohmmeter indicates continuity between a particular connector and ground, that connector is shorted.



BASIC DIAGNOSTICS PROCEDURE

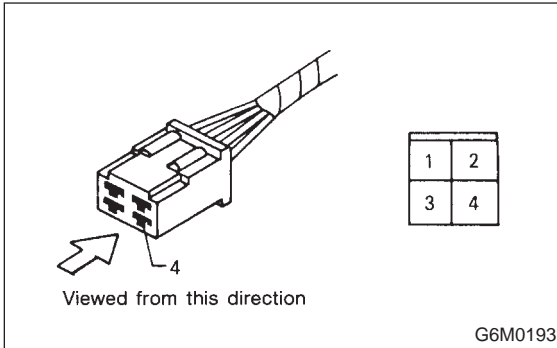
C: HOW TO READ WIRING DIAGRAMS S903627G52

1. WIRING DIAGRAM S903627G5201

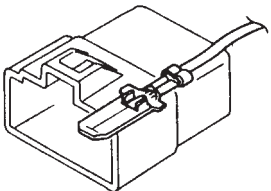
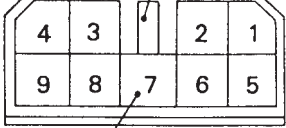
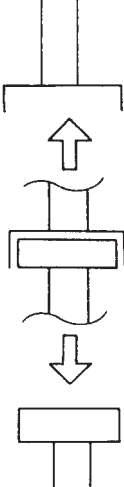
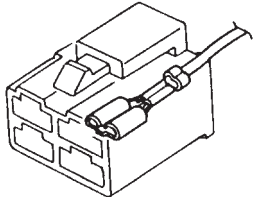
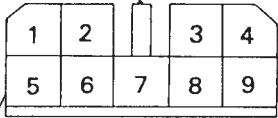
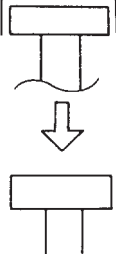
The wiring diagram of each system is illustrated so that you can understand the path through which the electric current flows from the battery.

Sketches and codes are used in the diagrams. They should read as follows:

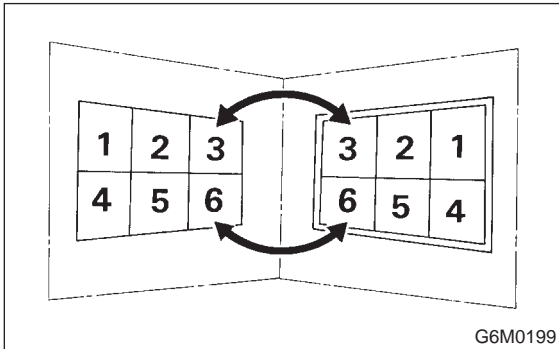
- Each connector and its terminal position are indicated by a sketch of the connector in a disconnected state which is viewed from the front.



- The number of poles or pins, presence of a lock, and pin number of each terminal are indicated in the sketch of each connector. In the sketch, the highest pole number refers to the number of poles which the connector has. For example, the sketch of the connector shown in figure indicates the connector has 9 poles.

Connector used in vehicle	Connector shown in wiring diagram		
	Sketch	Symbol	Number of poles
 <p style="text-align: right;">G6M0194</p>	<p>Double frames Indicates a lock is included.</p>  <p>Indicates the number of poles.</p> <p style="text-align: right;">G6M0196</p>	 <p style="text-align: right;">G6M0198</p>	<p>Numbered in order from upper right to lower left.</p>
 <p style="text-align: right;">G6M0195</p>	<p>Indicates a lock is included.</p>  <p>Single frame</p> <p style="text-align: right;">G6M0197</p>	 <p style="text-align: right;">G6M0198</p>	<p>Numbered in order from upper left to lower right.</p>

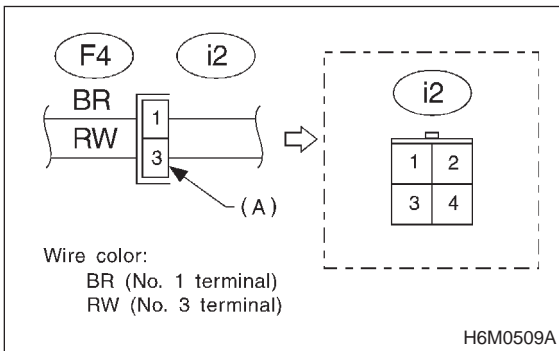
- When one set of connectors is viewed from the front side, the pole numbers of one connector are symmetrical to those of the other. When these two connectors are connected as a unit, the poles which have the same number are joined.



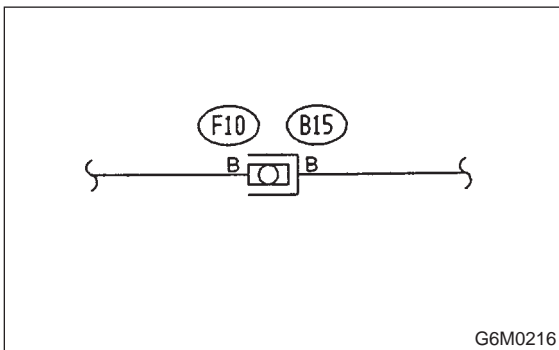
- Electrical wiring harness:**
The connectors are numbered along with the number of poles, external colors, and mating connections in the accompanying list.
- The sketch of each connector in the wiring diagram usually shows the (A) side of the connector. The relationship between the wire color, terminal number and connector is described in figure.

NOTE:

A wire which runs in one direction from a connector terminal sometimes may have a different color from that which runs in the other direction from that terminal.

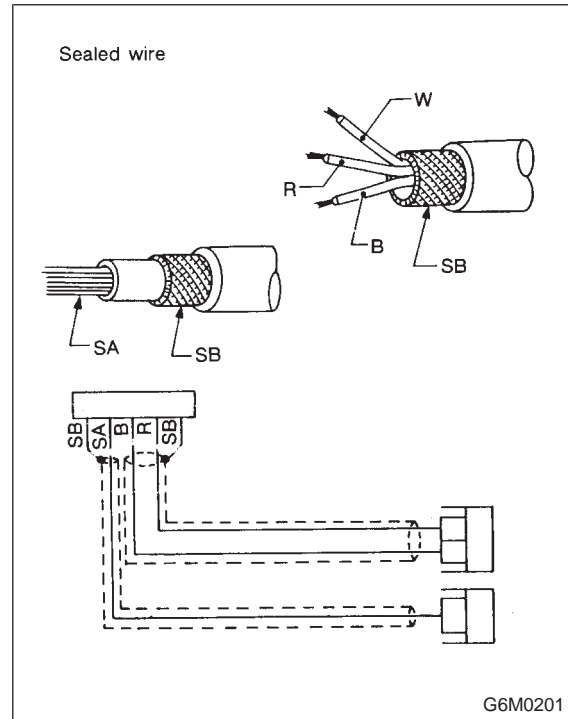


- In wiring diagram, connectors which have no terminal number refer to one-pole types. Sketches of these connectors are omitted intentionally.



- The following color codes are used to indicate the colors of the wires used.

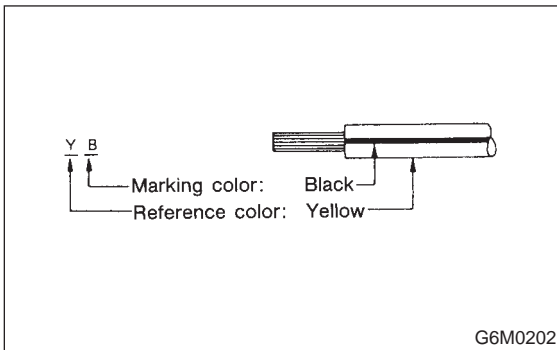
Color code	Color
L	Blue
B	Black
Y	Yellow
G	Green
R	Red
W	White
Br	Brown
Lg	Light green
Gr	Gray
P	Pink
Or	Orange
Lb	Light Blue
V	Violet
SA	Sealed (Inner)
SB	Sealed (Outer)



BASIC DIAGNOSTICS PROCEDURE

Wiring System

- The wire color code, which consists of two letters (or three letters including Br or Lg), indicates the standard color (base color of the wire covering) by its first letter and the stripe marking by its second letter.



- The table lists the nominal sectional areas and allowable currents of the wires.

CAUTION:

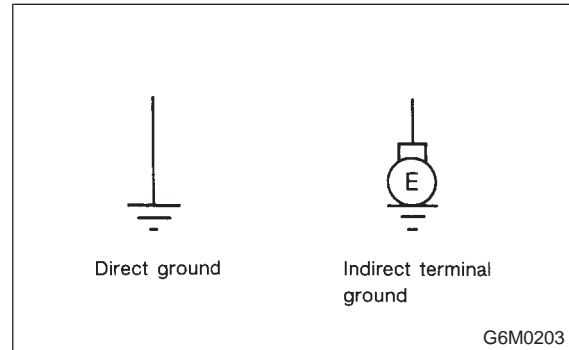
When replacing or repairing a wire, be sure to use the same size and type of the wire which was originally used.

NOTE:

- The allowable current in the table indicates the tolerable amperage of each wire at an ambient temperature of 40°C (104°F).
- The allowable current changes with ambient temperature. Also, it changes if a bundle of more than two wires is used.

Nominal sectional area mm ²	No. of strands/ strand diameter	Outside diameter of finished wiring mm	Allowable current Amps/ 40°C (104°F)
0.3	7/0.26	1.8	7
0.5	7/0.32	2.2 (or 2.0)	12
0.75	30/0.18	2.6 (or 2.4)	16
0.85	11/0.32	2.4 (or 2.2)	16
1.25	16/0.32	2.7 (or 2.5)	21
2	26/0.32	3.1 (or 2.9)	28
3	41/0.32	3.8 (or 3.6)	38
5	65/0.32	4.6 (or 4.4)	51
8	50/0.45	5.5	67

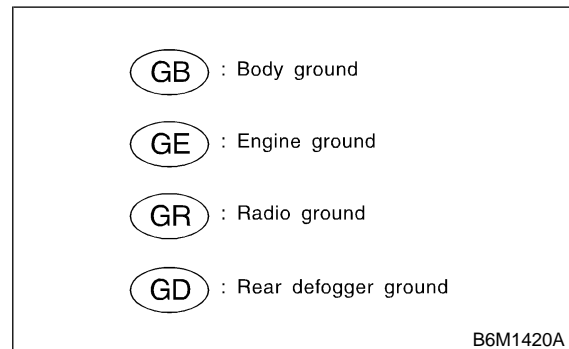
- Each unit is directly grounded to the body or indirectly grounds through a harness ground terminal. Different symbols are used in the wiring diagram to identify the two grounding systems.



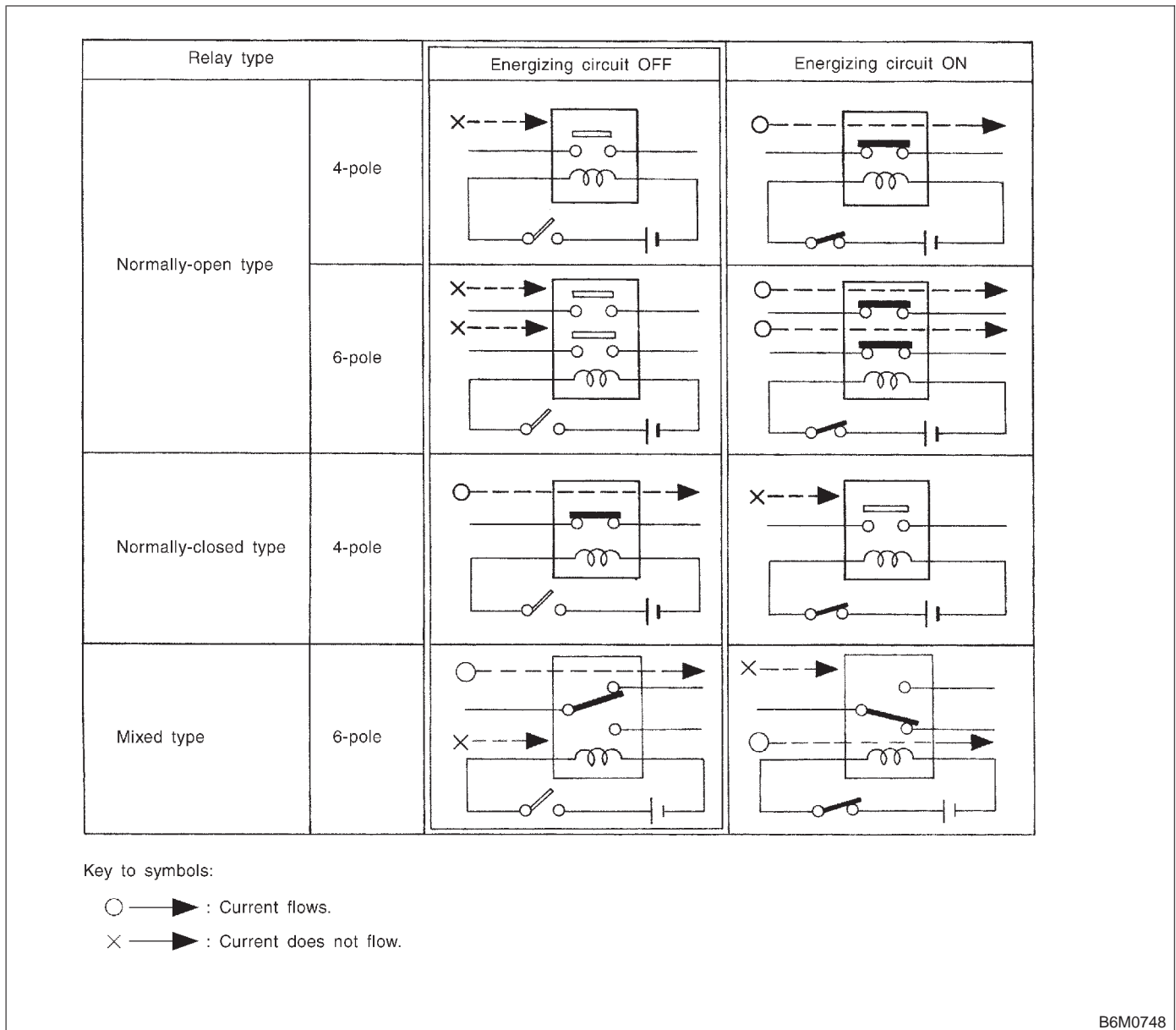
- The ground points shown in the wiring diagram refer to the following:

NOTE:

All wiring harnesses are provided with a ground point which should be securely connected.



- Relays are classified as normally-open or normally-closed. The normally-closed relay has one or more contacts.
- The wiring diagram shows the relay mode when the energizing circuit is OFF.

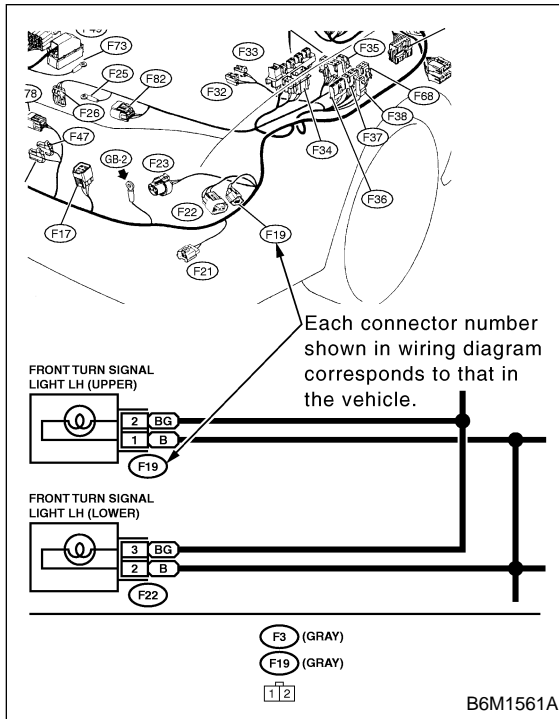


BASIC DIAGNOSTICS PROCEDURE

Wiring System

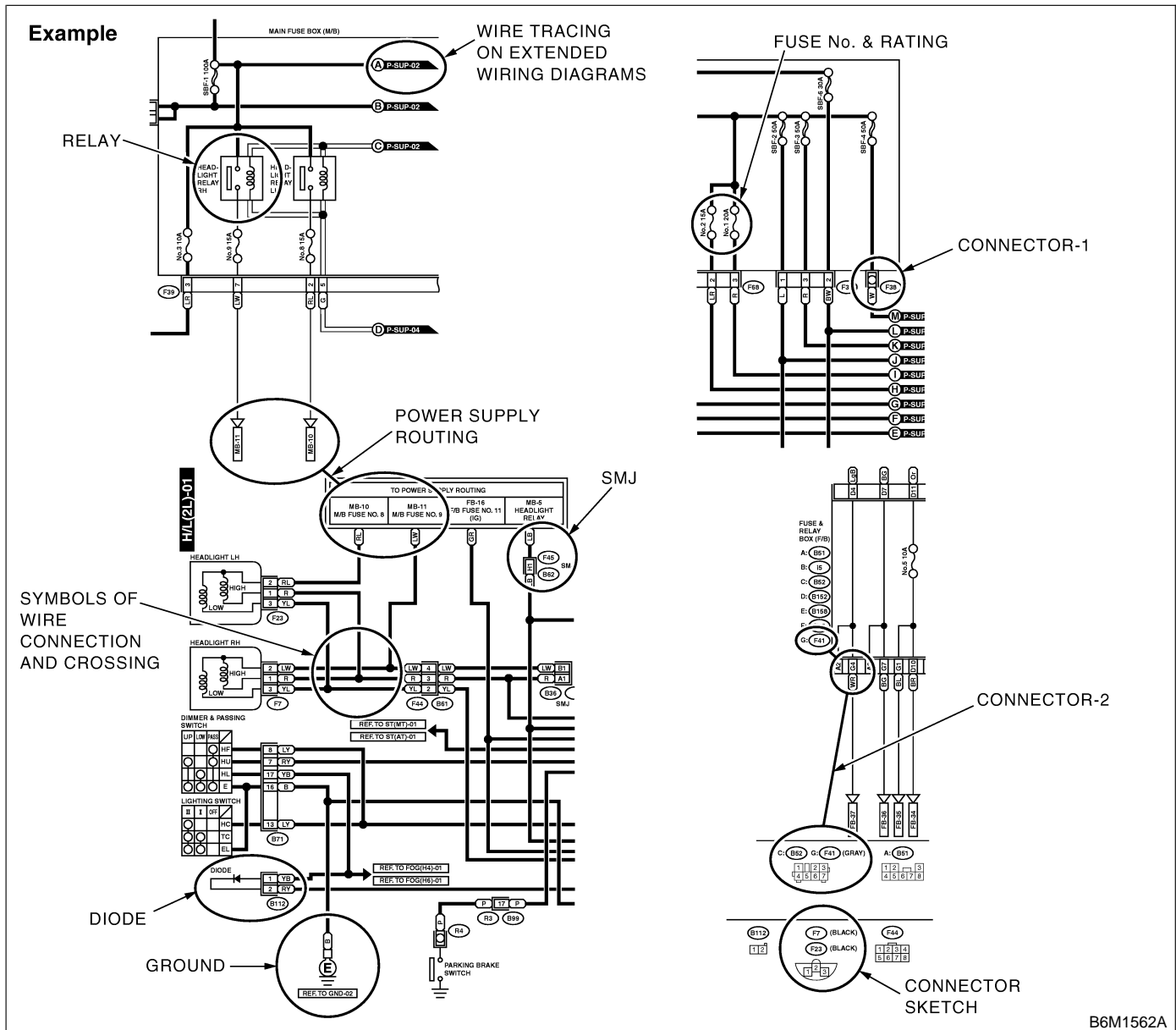
- Each connector number shown in the wiring diagram corresponds to that in the wiring harness. The location of each connector in the actual vehicle is determined by reading the first character of the connector (for example, a "F" for F8, "i" for i16, etc.) and the type of wiring harness. The first character of each connector number refers to the area or system of the vehicle.

Symbol	Wiring harness and cord
F	Front wiring harness
B	Bulkhead wiring harness
E	Engine wiring harness
T	Transmission cord, Rear oxygen sensor cord
D	Door cord LH & RH, Rear door cord LH & RH, Rear gate cord
i	Instrument panel wiring harness
R	Rear wiring harness, Fuel tank cord, Roof cord, ORVR cord



D: SYMBOLS IN WIRING DIAGRAMS S903627G53

A number of symbols are used in each wiring diagram to easily identify parts or circuits.



1. RELAY S903627G5301

A symbol used to indicate a relay.

2. CONNECTOR-1 S903627G5302

The sketch of the connector indicates the one-pole types.

3. WIRING CONNECTION S903627G5303

Some wiring diagrams are indicated in foldouts for convenience. Wiring destinations are indicated where necessary by corresponding symbols (as when two pages are needed for clear indication).

4. FUSE No. & RATING G903627G5304

The "FUSE No. & RATING" corresponds with that used in the fuse box (main fuse box, fuse and joint box).

5. CONNECTOR-2 S903627G5305

- Each connector is indicated by a symbol.
- Each terminal number is indicated in the corresponding wiring diagram in an abbreviated form.
- For example, terminal number "C2" refers to No. 2 terminal of connector (C: F41) shown in the connector sketch.

BASIC DIAGNOSTICS PROCEDURE

Wiring System

6. CONNECTOR SKETCH S903627G5306

- Each connector sketch clearly identifies the shape and color of a connector as well as terminal locations. Non-colored connectors are indicated in natural color.
- When more than two types of connector number are indicated in a connector sketch, it means that the same type connectors are used.

7. GROUND S903627G5307

Each grounding point can be located easily by referring to the corresponding wiring harness.

8. DIODE S903627G5308

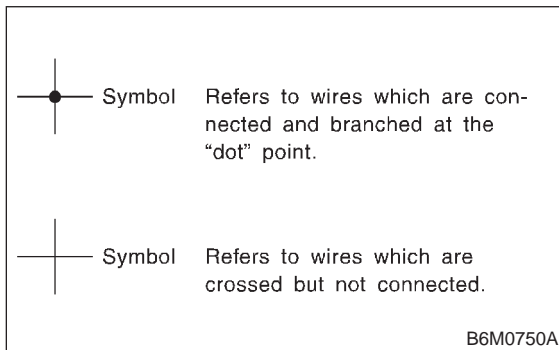
A symbol is used to indicate a diode.

9. WIRE TRACING ON EXTENDED WIRING DIAGRAMS S903627G5309

For a wiring diagram extending over at least two pages, a symbol (consisting of the same characters with arrows), facilitates wire tracing from one page to the next.

A \longleftrightarrow A, B \longleftrightarrow B

10. SYMBOLS OF WIRE CONNECTION AND CROSSING S903627G5310



11. POWER SUPPLY ROUTING S903627G5311

A symbol is used to indicate the power supply in each wiring diagram.

"MB-5", "MB-6", etc., which are used as power-supply symbols throughout the text, correspond with those shown in the POWER SUPPLY ROUTING in the wiring diagram.

Accordingly, using the POWER SUPPLY ROUTING and wiring diagrams permits service personnel to understand the entire electrical arrangement of a system.

E: ABBREVIATION IN WIRING DIAGRAMS S903627G54

Abbr.	Full name
ABS	Antilock Brake System
ACC	Accessory
A/C	Air Conditioning
AD	Auto Down
A/S	Air suspension
AT	Automatic Transmission
AU	Auto Up
+B	Battery
DN	Down
E	Ground
F/B	Fuse & Joint Box
FL1.5	Fusible link 1.5 mm ²
IG	Ignition
Illumi.	Illumination
LH	Left Hand
Lo	Low
M	Motor
M/B	Main Fuse Box
MG	Magnet
Mi	Middle
OP	Optional Parts
PASS	Passing
RH	Right Hand
SBF	Slow Blow Fuse
ST	Starter
SW	Switch
UP	Up
WASH	Washer

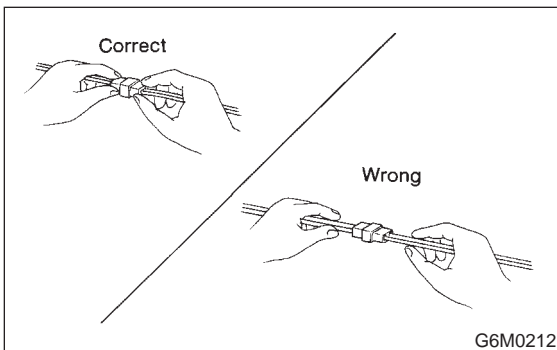
2. Working Precautions S903706

A: PRECAUTIONS WHEN WORKING WITH THE PARTS MOUNTED ON THE VEHICLE S903706G38

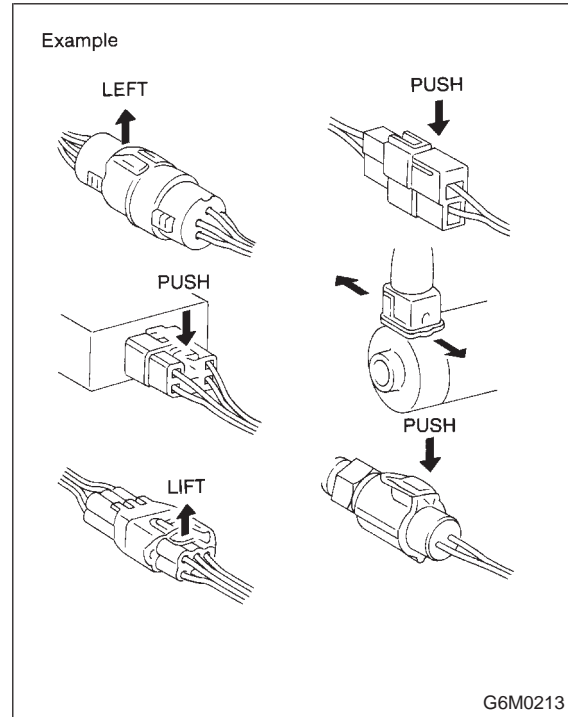
- 1) When working under a vehicle which is jacked-up, always be sure to use safety stands.
- 2) The parking brake must always be applied during working. Also, in automatic transmission vehicles, keep the select lever set to the P (Parking) range.
- 3) Be sure the workshop is properly ventilated when running the engine. Further, be careful not to touch the belt or fan while the engine is operating.
- 4) Be careful not to touch hot metal parts, especially the radiator and exhaust system immediately after the engine has been shut off.

B: PRECAUTIONS IN TROUBLE DIAGNOSIS AND REPAIR OF ELECTRIC PARTS S903706G39

- 1) The battery cable must be disconnected from the battery's (-) terminal, and the ignition switch must be set to the OFF position, unless otherwise required by the diagnostics.
- 2) Securely fasten the wiring harness with clamps and slips so that the harness does not interfere with the body end parts or edges and bolts or screws.
- 3) When installing parts, be careful not to catch them on the wiring harness.
- 4) When disconnecting a connector, do not pull the wires, but pull while holding the connector body.

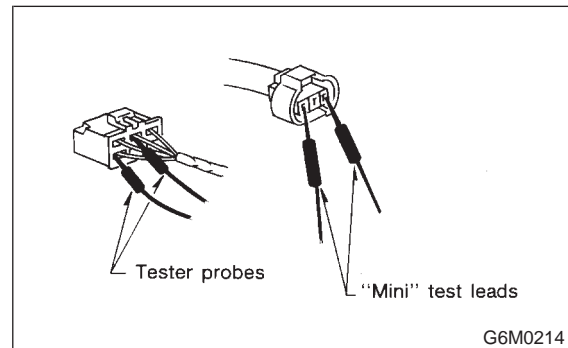


- 5) Some connectors are provided with a lock. One type of such a connector is disconnected by pushing the lock, and the other, by moving the lock up. In either type the lock shape must be identified before attempting to disconnect the connector. To connect, insert the connector until it snaps and confirm that it is tightly connected.



- 6) When checking continuity between connector terminals, or measuring voltage across the terminal and ground, always contact tester probe(s) on terminals from the wiring connection side. If the probe is too thick to gain access to the terminal, use "mini" test leads.

To check water-proof connectors (which are not accessible from the wiring side), contact test probes on the terminal side being careful not to bend or damage the terminals.



- 7) Sensors, relays, electrical unit, etc., are sensitive to strong impacts. Handle them with care so that they are not dropped or mishandled.

SUPER MULTIPLE JUNCTION (SMJ)

Wiring System

3. Super Multiple Junction (SMJ) S903464

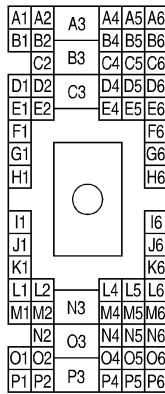
A: HOW TO USE SUPER MULTIPLE JUNCTION (SMJ) S903464G40

The "SMJ" indicated in wiring diagrams is shown in a simplified form.

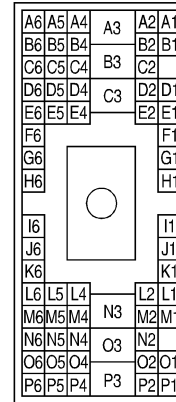
B: TERMINAL ARRANGEMENT S903464G41

Bulkhead Wiring Harness ← → Front Wiring Harness

B62 66 Poles

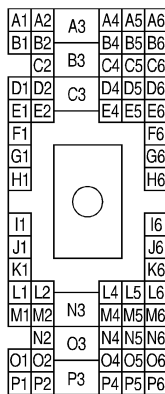


F45 66 Poles

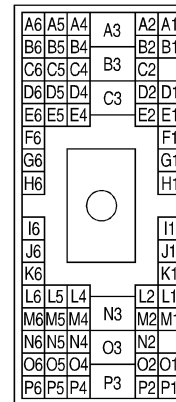


Bulkhead Wiring Harness ← → Instrument Panel Wiring Harness

B36 66 Poles

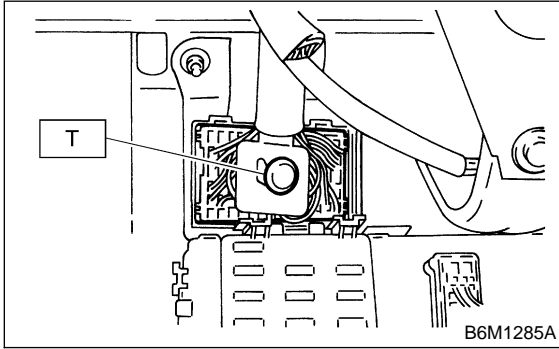


i1 66 Poles



B6M1280A

C: INSTALLATION S903464A11



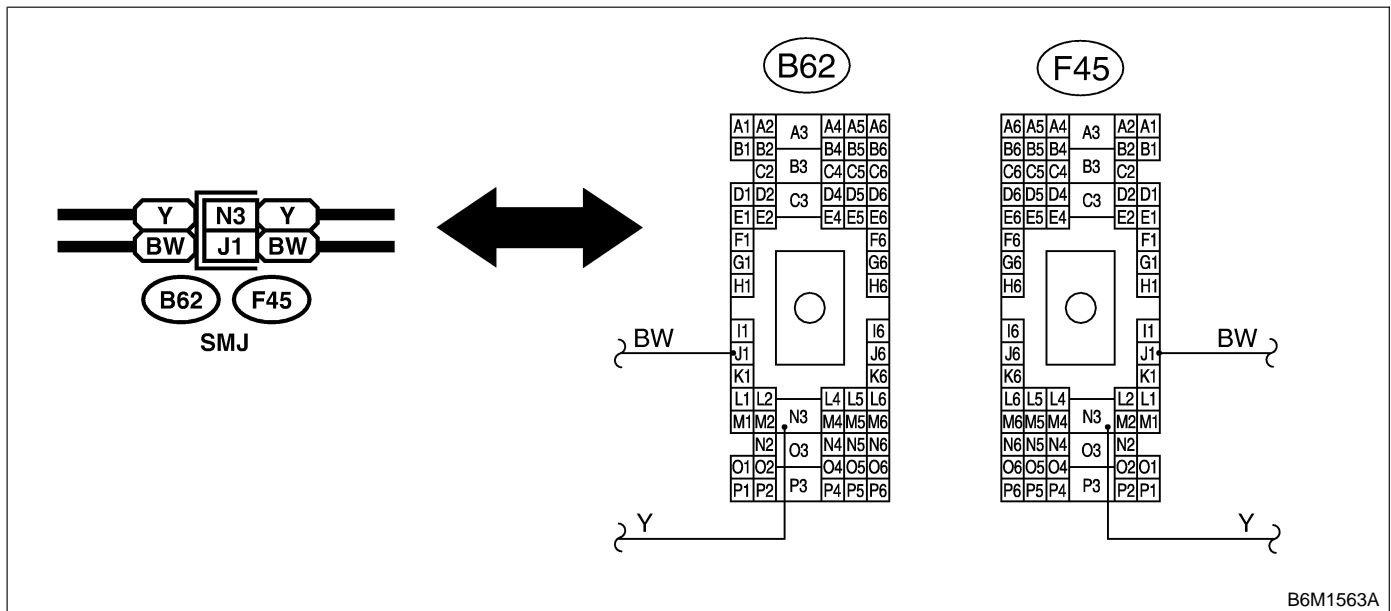
Tightening torque:

T: 4.4 N·m (0.45 kgf·m, 3.3 ft·lb)

NOTE:

- Align the cutout portion of one connector with that of other before tightening the connecting bolt.
- Do not tighten the bolt excessively since this may deform the connectors.

D: EXPLANATION OF SMJ SHOWN IN THE WIRING DIAGRAM S903464G42



POWER SUPPLY ROUTING

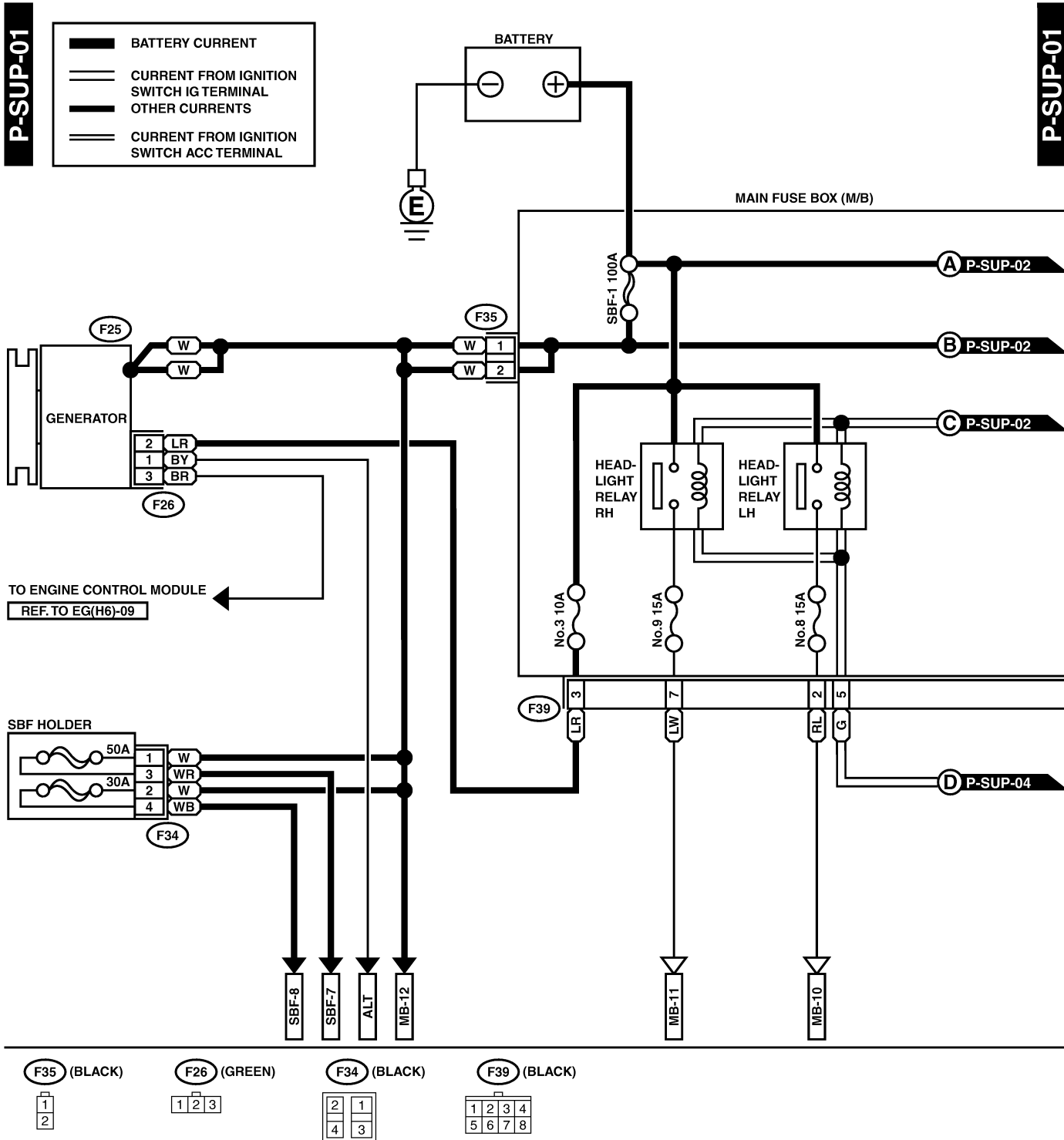
Wiring System

4. Power Supply Routing

S903465

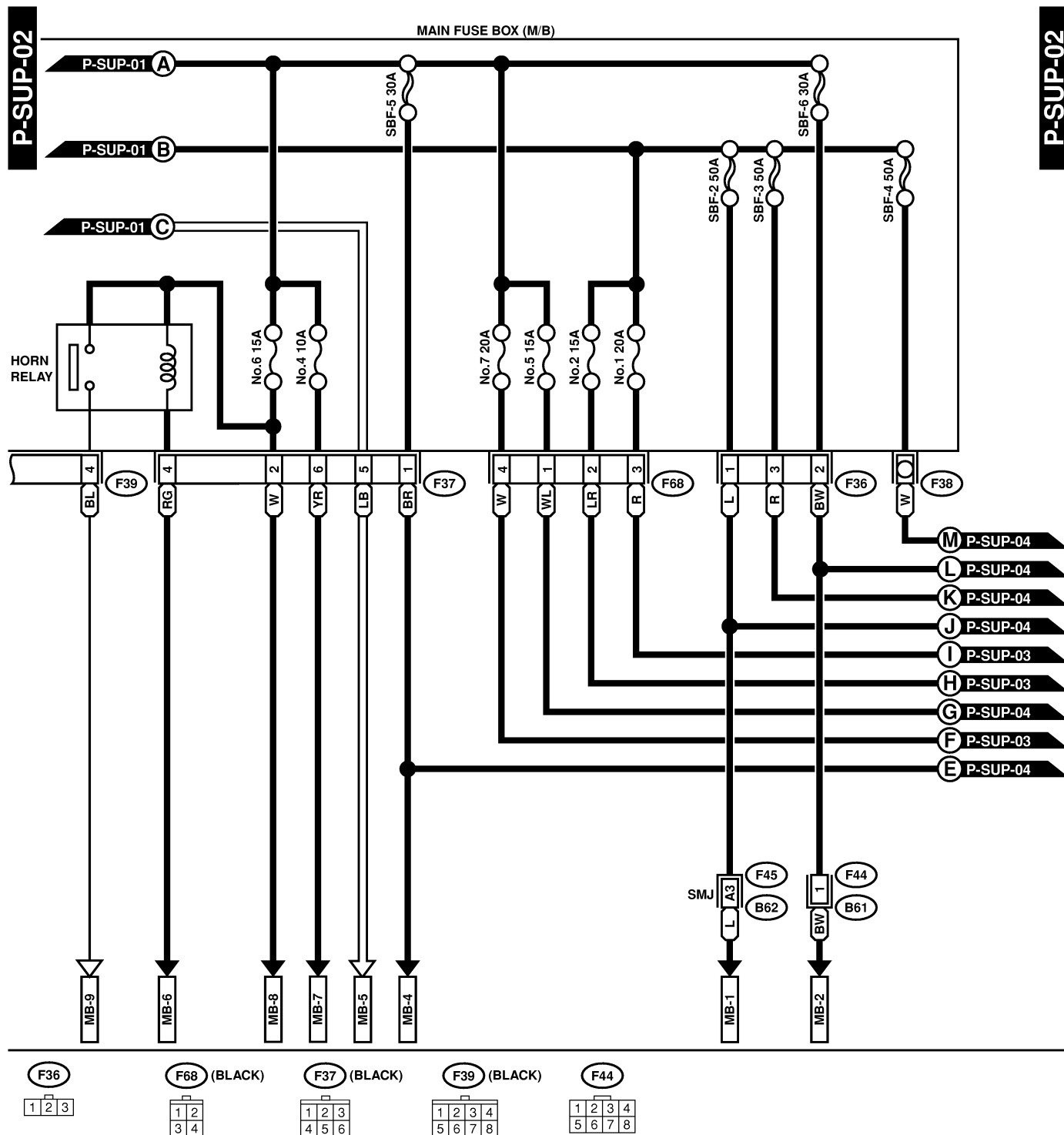
A: SCHEMATIC

S903465A21



POWER SUPPLY ROUTING

Wiring System

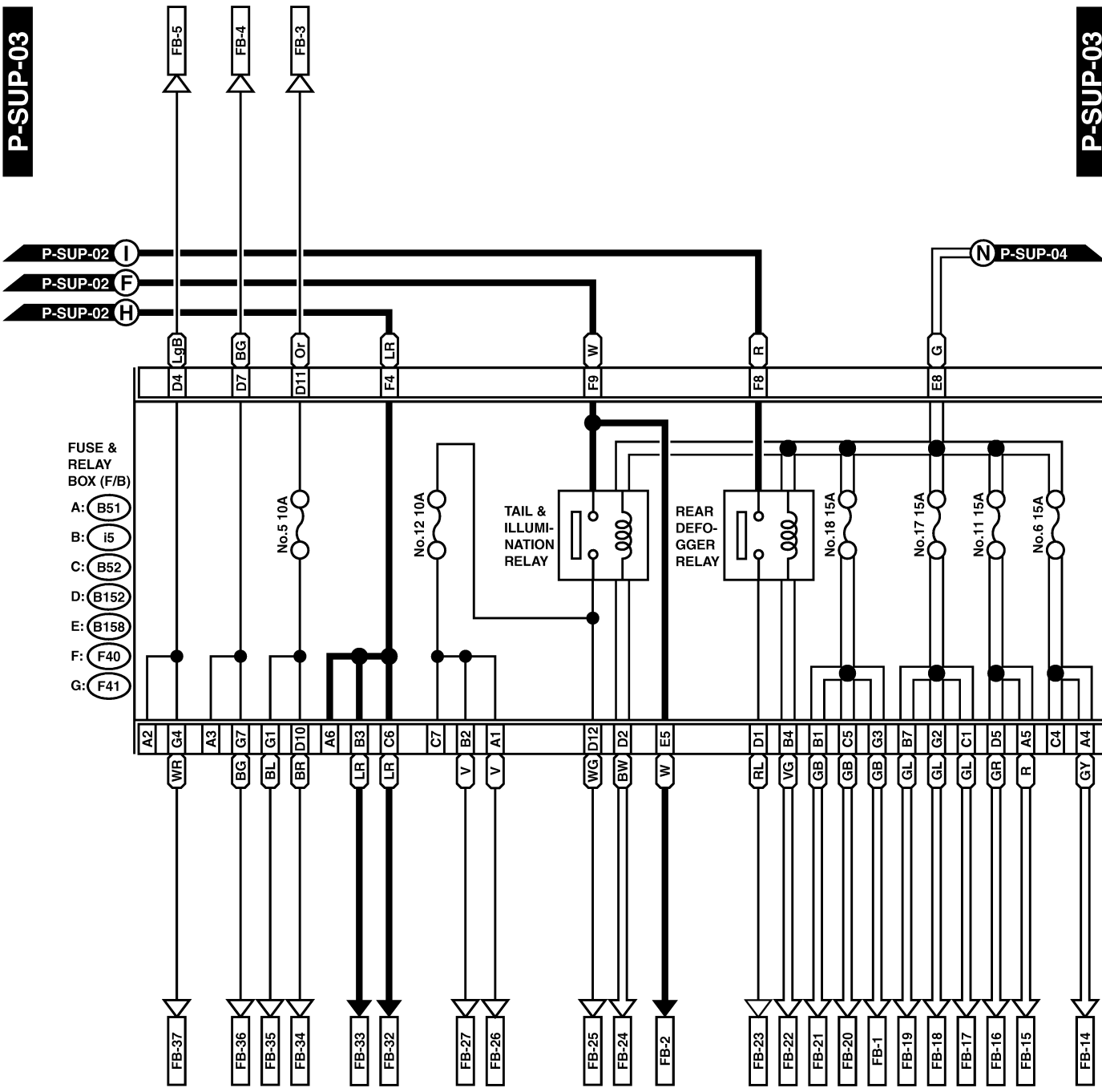


POWER SUPPLY ROUTING

Wiring System

P-SUP-03

P-SUP-03



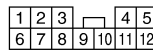
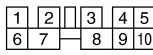
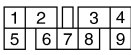
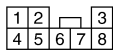
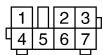
C: (B52) G: (F41) (GRAY)

A: (B51)

F: (F40) (BROWN)

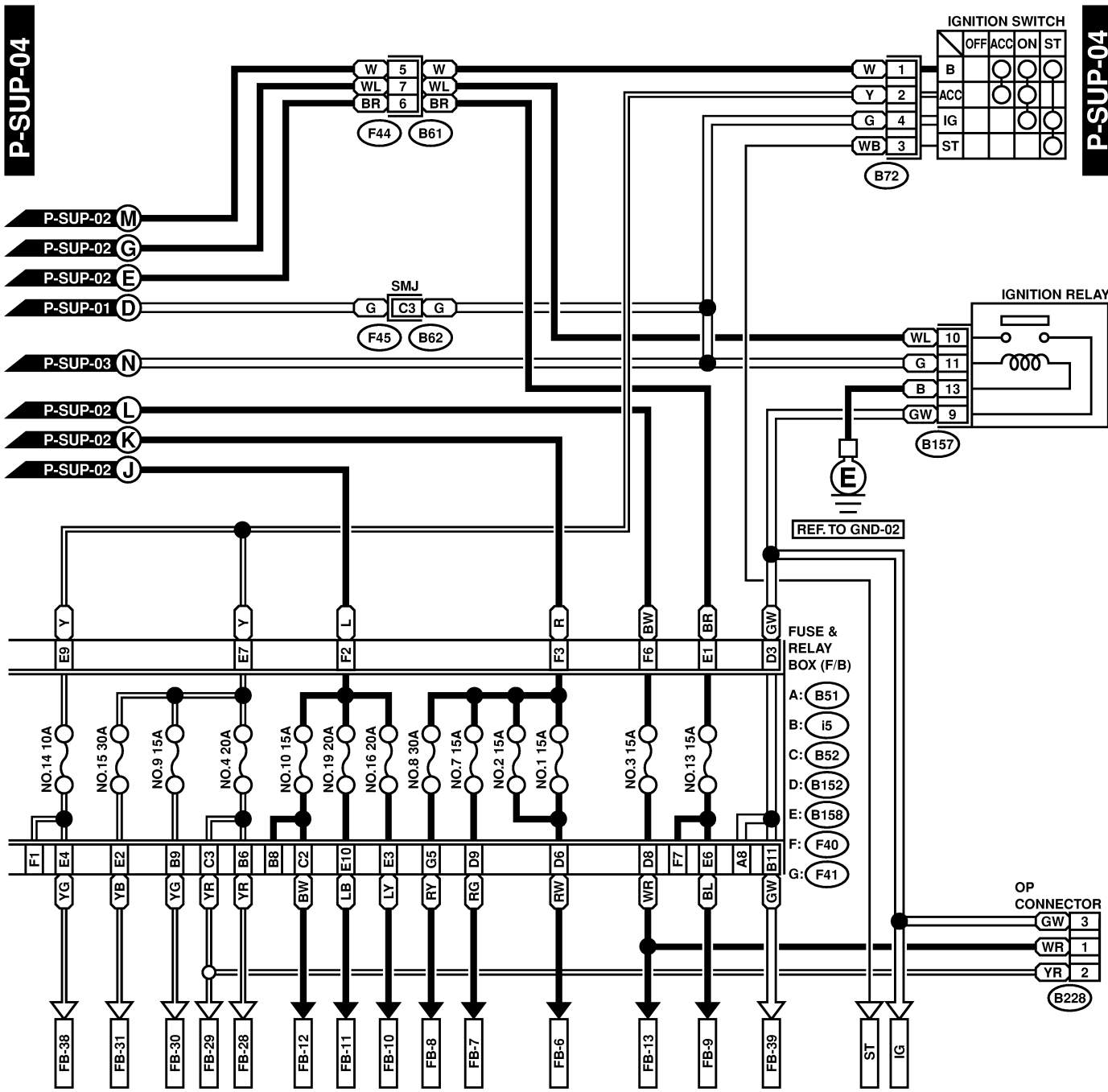
E: (B158)

B: (i5) D: (B152)



POWER SUPPLY ROUTING

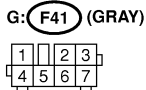
Wiring System



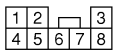
B72 (BLUE)



C: B52



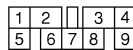
A: B51



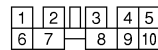
F44



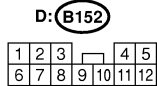
F: F40 (BROWN)



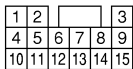
E: B158



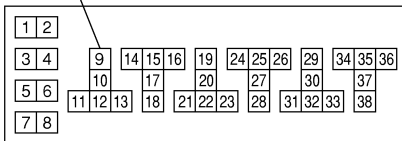
B: I5



B228



B157



RELAY BLOCK (BLACK)

POWER SUPPLY ROUTING

Wiring System

No.	Load
MB-1	Fuse (Seat heater)
MB-2	Power window circuit breaker
MB-4	Data link connector Engine control module Main relay
MB-5	Daytime running light control module OP connector
MB-6	Cruise control sub switch Horn switch Keyless entry control module Security horn relay
MB-7	Transmission control module
MB-8	AT shift lock control module Hazard switch Key warning switch
MB-9	Horn
MB-10	Headlight LH
MB-11	Combination meter Headlight RH
MB-12	A/C relay holder (Fuse)
SBF-7	ABS control module Relay box (VDC)
SBF-8	Fuse (Mcintosh audio)
ALT	Combination meter
IG	Check connector Keyless entry control module Seat belt timer Security control module Vehicle speed sensor (MT)
ST	Cruise control module (AT) Engine control module Inhibitor switch (AT) Interrupt relay Starter interlock relay (MT)
FB-1	ABS control module Main fan relay (4 cylinder engine model) Main fan relay-1 (6 cylinder engine model) Main fan relay-2 (6 cylinder engine model) VDC control module
FB-2	Parking switch Security control module
FB-3	Parking switch Security control module
FB-4	Combination meter Hazard switch Rear turn signal light LH Trailer connector Turn signal switch
FB-5	Combination meter Hazard switch Rear turn signal light RH Trailer connector Turn signal switch
FB-6	Blower motor relay
FB-7	Front fog light relay
FB-8	ABS control module Relay box (VDC)

No.	Load
FB-9	Fuel pump relay
FB-10	Stop light switch
FB-11	Wiper deicer relay
FB-12	Trailer connector
FB-13	Door lock timer Keyless entry control module
FB-14	Airbag control module
FB-15	Airbag control module
FB-16	Daytime running light control module Daytime running light relay (4-light model) Engine control module Fuel pump relay Ignition coil and ignitor (4-cylinder engine model) Ignition coil No. 1 — 6 (6-cylinder engine model) Transmission control module
FB-17	A/C pressure switch Blower motor relay Fan relay (6-cylinder engine model)
FB-18	A/C relay Sub fan relay (4-cylinder engine model) Sub fan relay-1 (6-cylinder engine model) Sub fan relay-2 (6-cylinder engine model)
FB-19	Auto A/C control module Mode control panel
FB-20	AT shift lock control module Back-up light switch (MT) Cruise control module Inhibitor switch (AT) Power window relay Wiper deicer relay Wiper deicer timer
FB-21	Cruise control main switch
FB-22	Engine control module Rear defogger switch
FB-23	Rear defogger Rear defogger condenser
FB-24	Engine control module Lighting switch OP connector
FB-25	Parking switch
FB-26	Illumination control module Illumination light OP connector
FB-27	Combination meter Illumination light
FB-28	Auto A/C control module Front accessory power supply socket Multiple power socket relay (Option)
FB-29	AT shift lock control module Mirror heater LH Mirror heater RH Remote control rearview mirror switch Seat heater/rear accessory power supply relay Vanity mirror illumination light

POWER SUPPLY ROUTING

Wiring System

No.	Load
FB-30	Radio
FB-31	Front washer motor Front wiper motor Front wiper & washer switch
FB-32	Luggage room light Room light Security control module Security horn relay Spot light Step light Trunk room light
FB-33	Auto A/C control module Combination meter Radio
FB-34	License plate light LH License plate light RH Rear finisher light LH Rear finisher light RH Tail light LH Tail light RH Trailer connector
FB-35	Front clearance light LH Front clearance light RH
FB-36	Front turn signal light LH
FB-37	Front turn signal light RH
FB-38	Rear washer motor Rear wiper intermittent module Rear wiper motor
FB-39	Combination meter Hazard switch

GROUND DISTRIBUTION

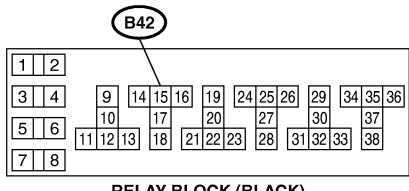
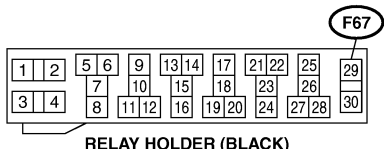
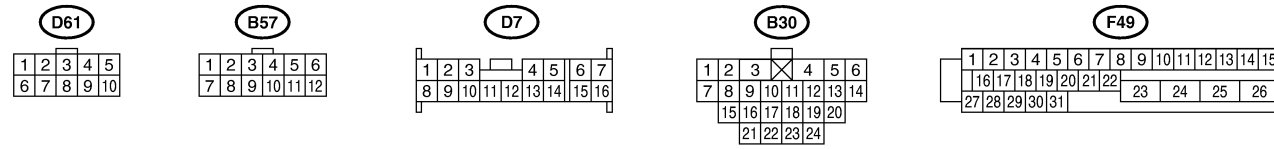
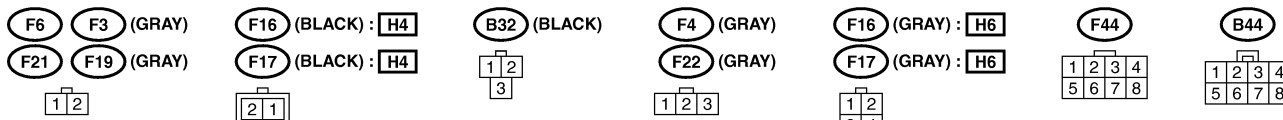
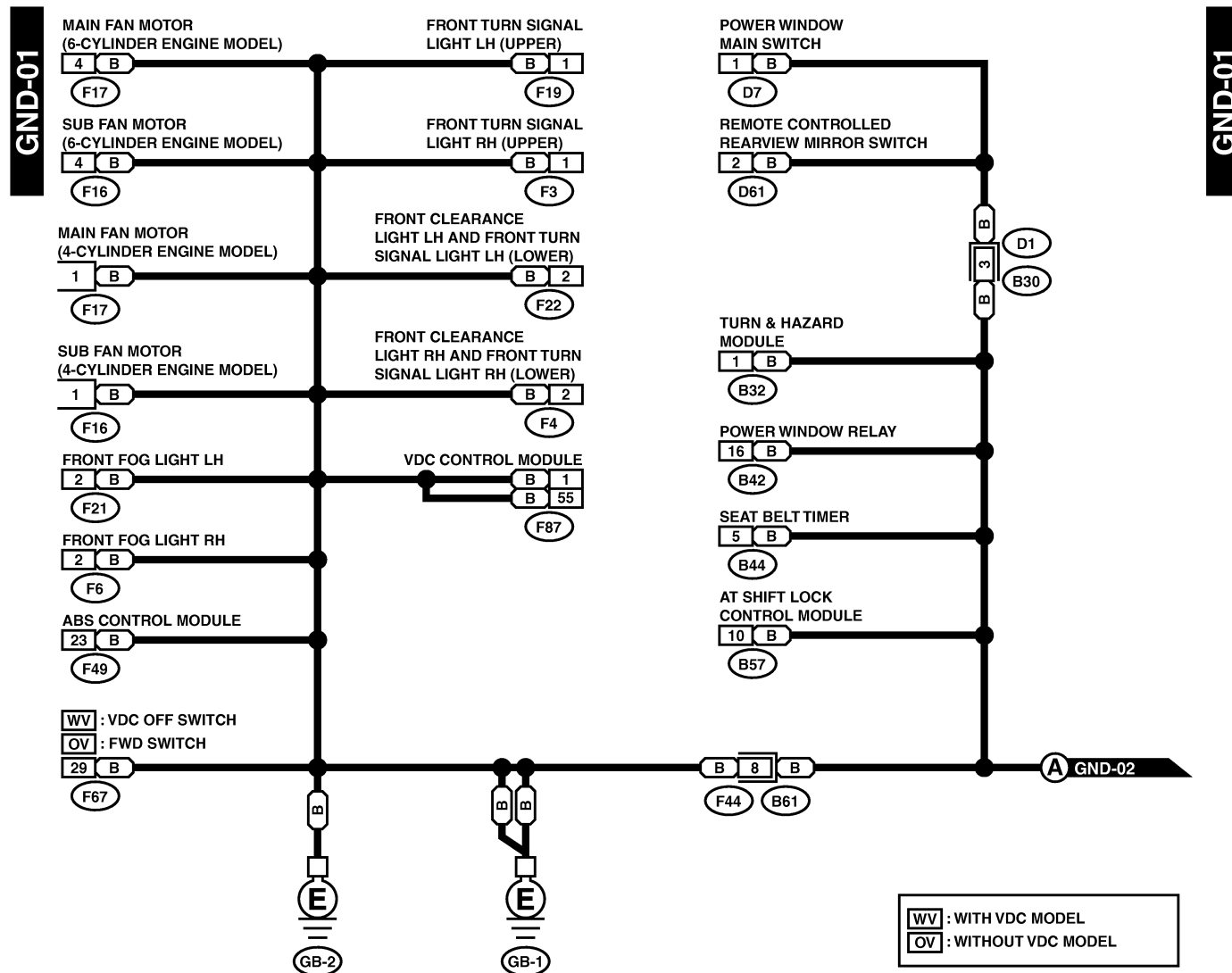
Wiring System

5. Ground Distribution

S903472

A: SCHEMATIC

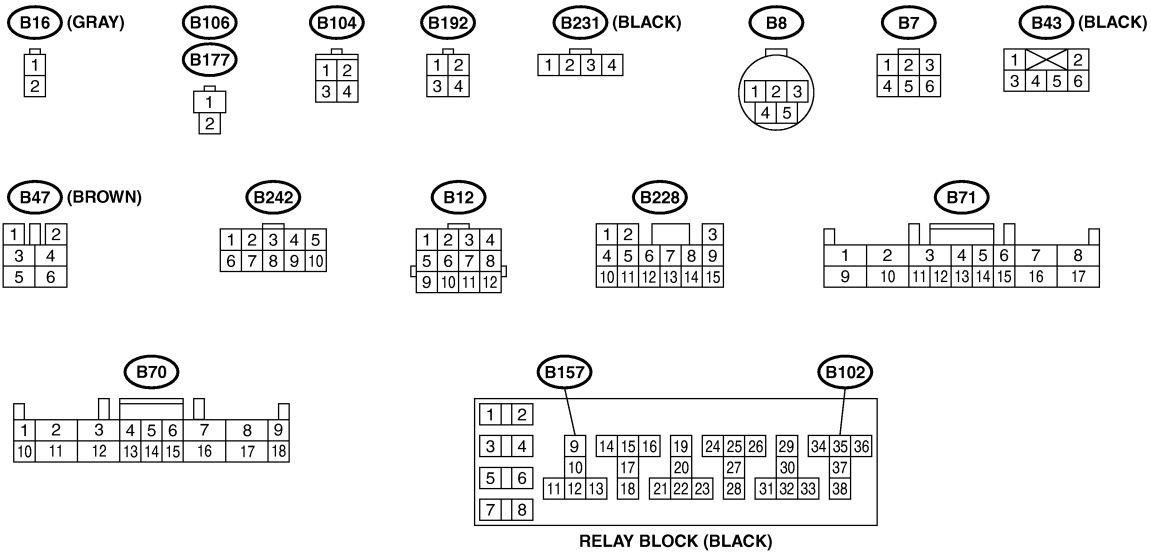
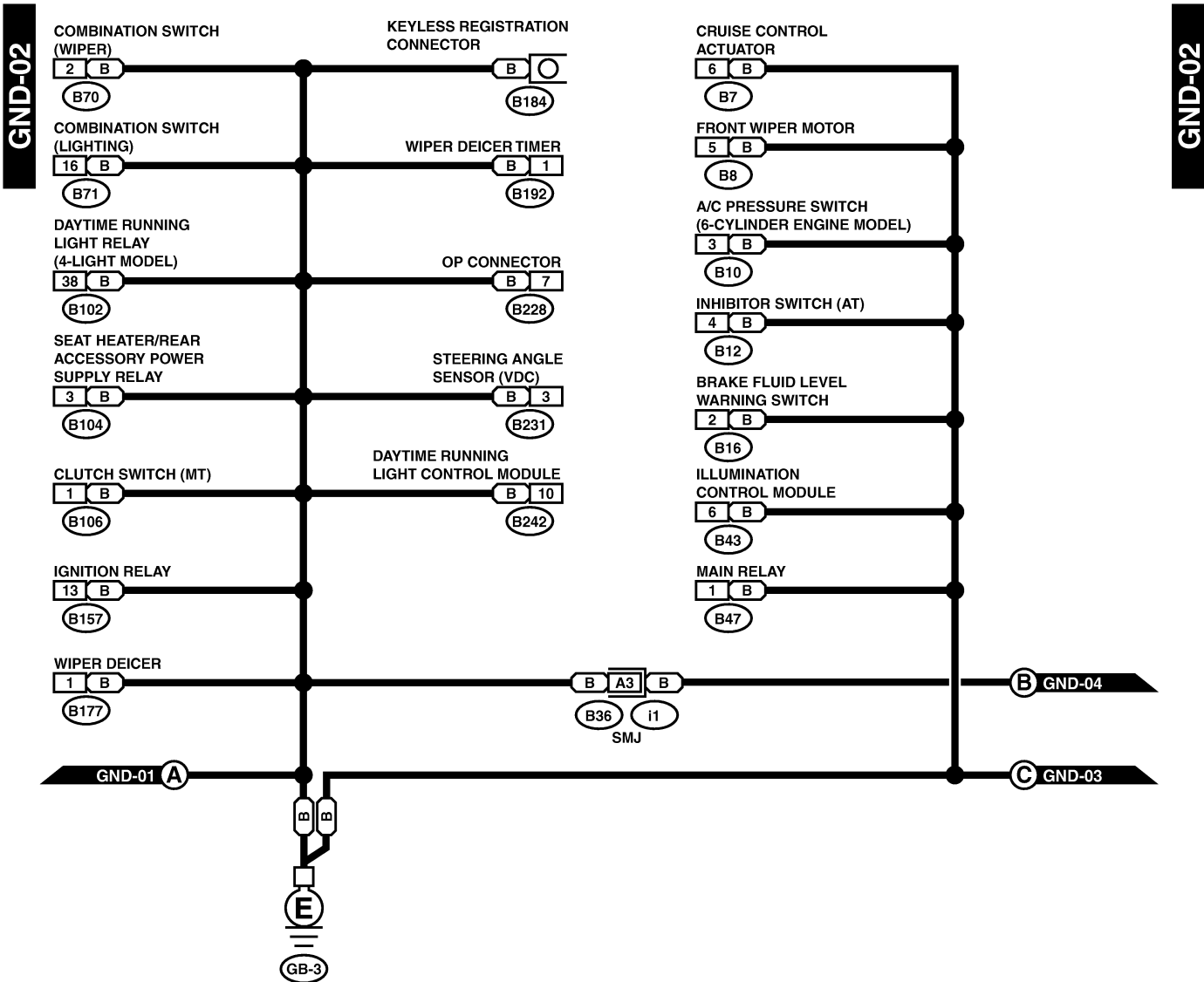
S903472A21



1	2	3	4	5	6	7	8	9	10	11	12	13	14	15	16	17	18	19	20	21	22	23	24	25	26	27	28
29	30	31	32	33	34	35	36	37	38	39	40	41	42	43	44	45	46	47	48	49	50	51	52	53	54	55	
56	57	58	59	60	61	62	63	64	65	66	67	68	69	70	71	72	73	74	75	76	77	78	79	80	81	82	83

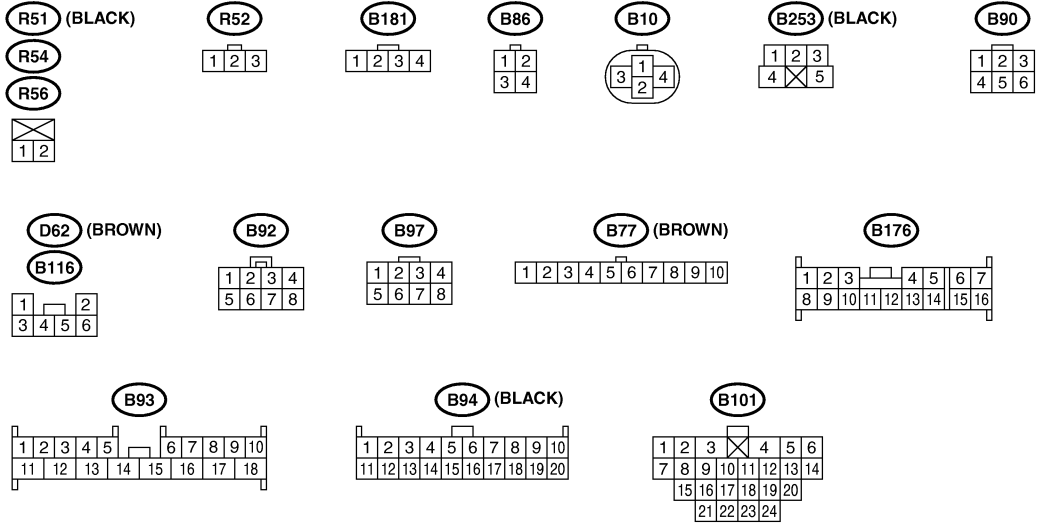
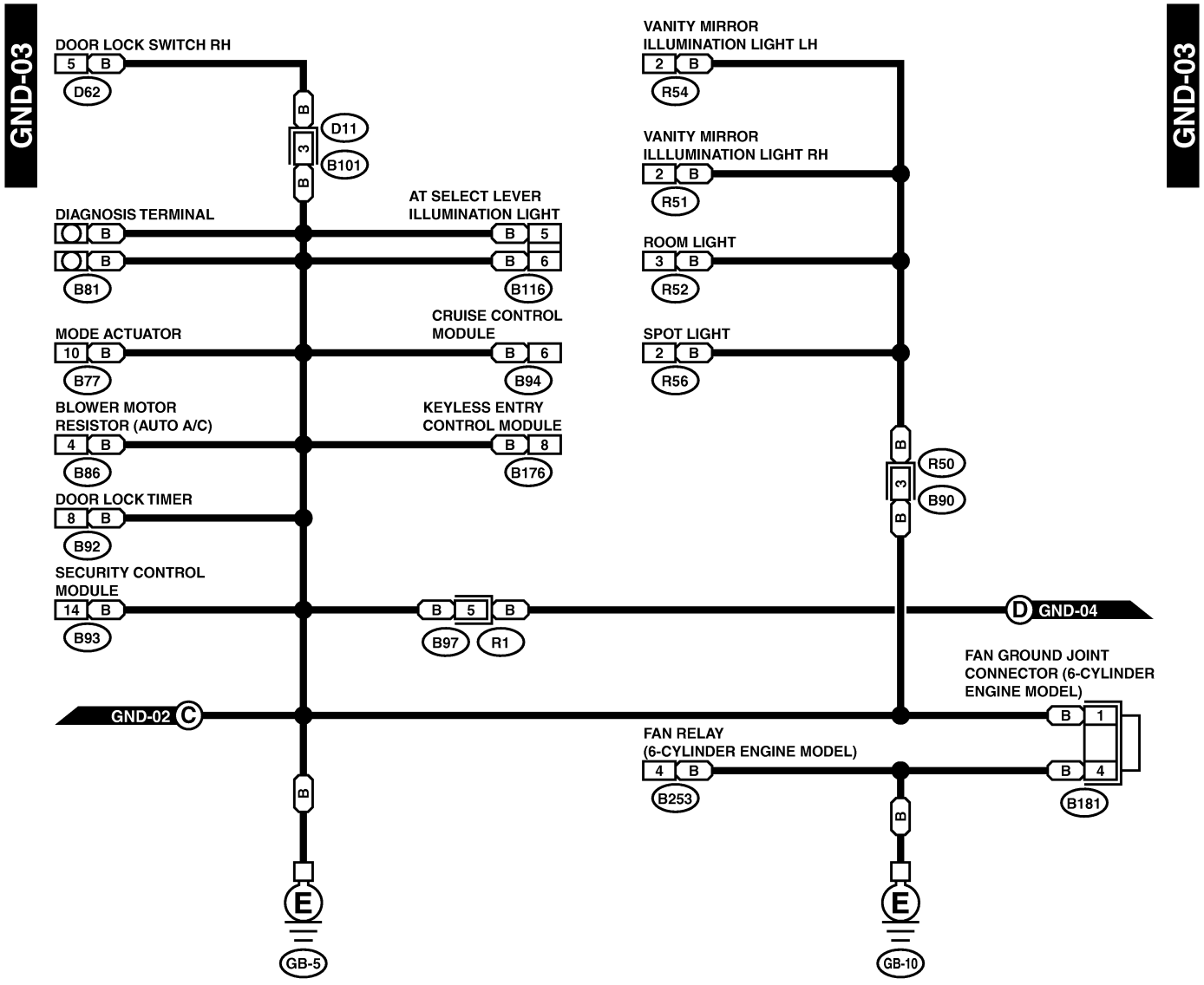
GROUND DISTRIBUTION

Wiring System



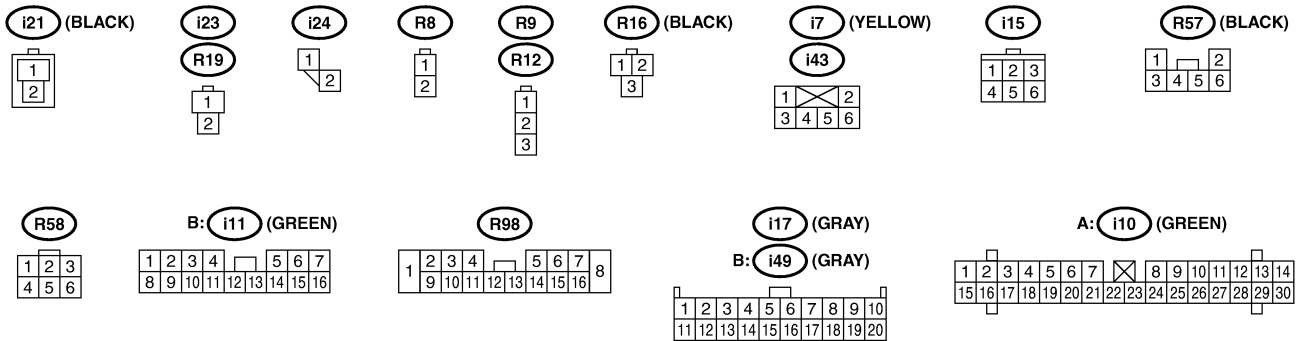
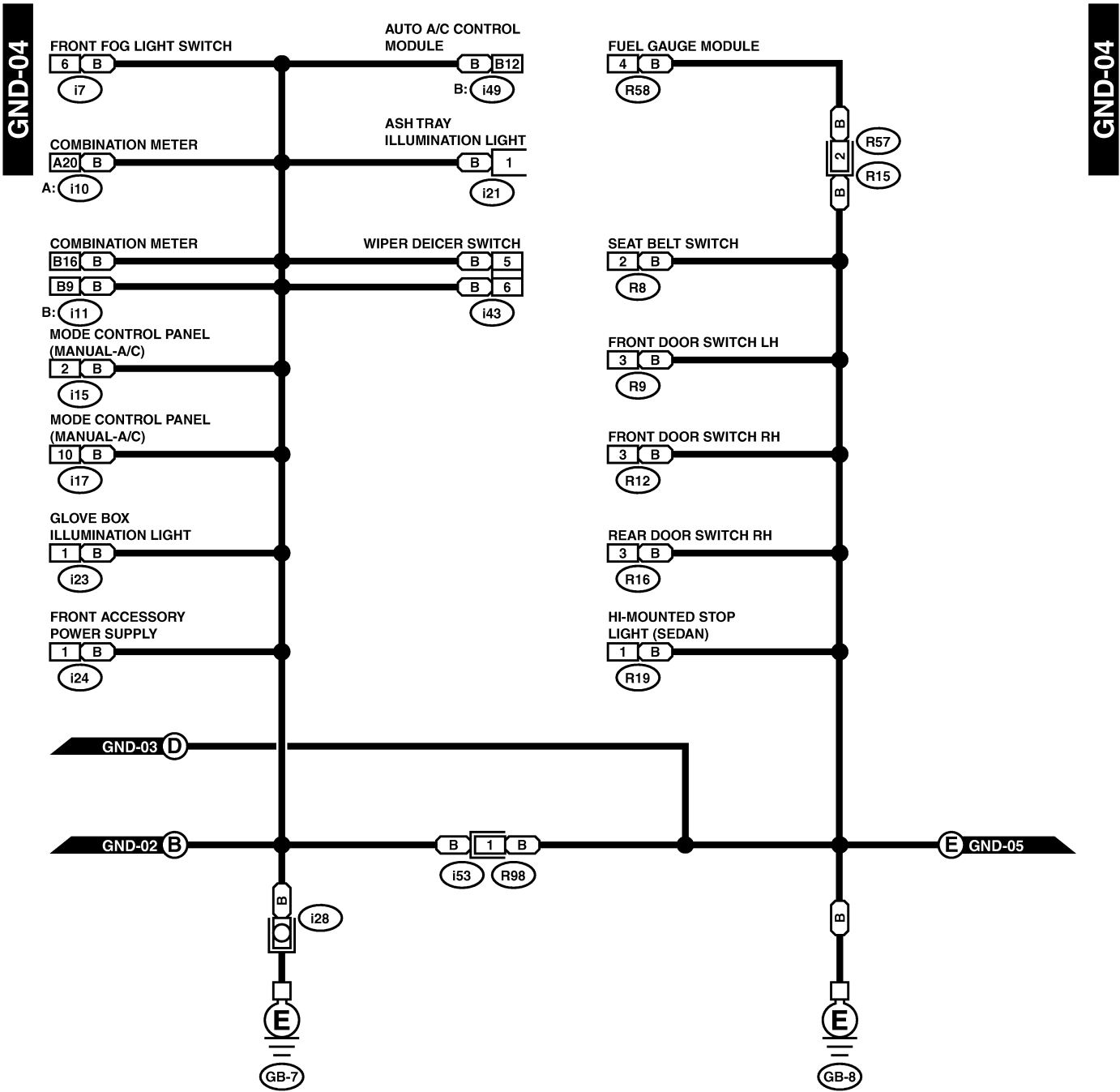
GROUND DISTRIBUTION

Wiring System



GROUND DISTRIBUTION

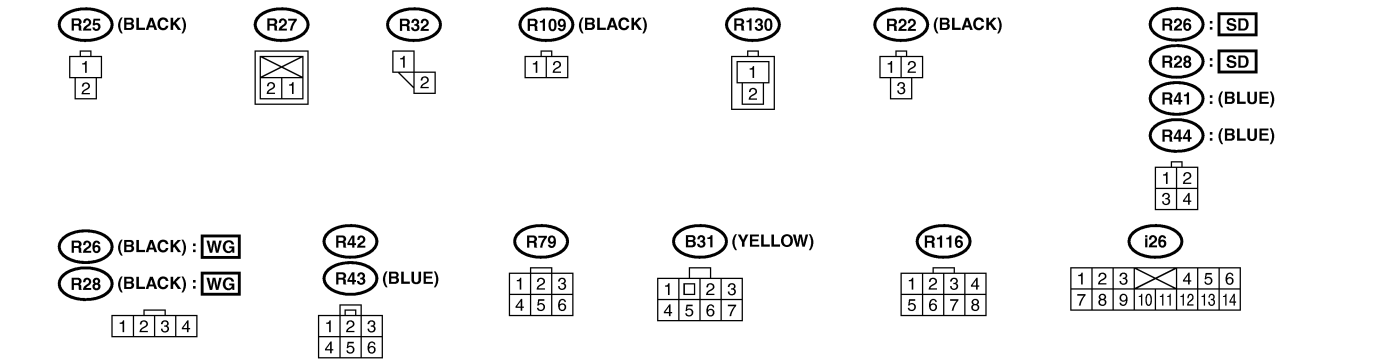
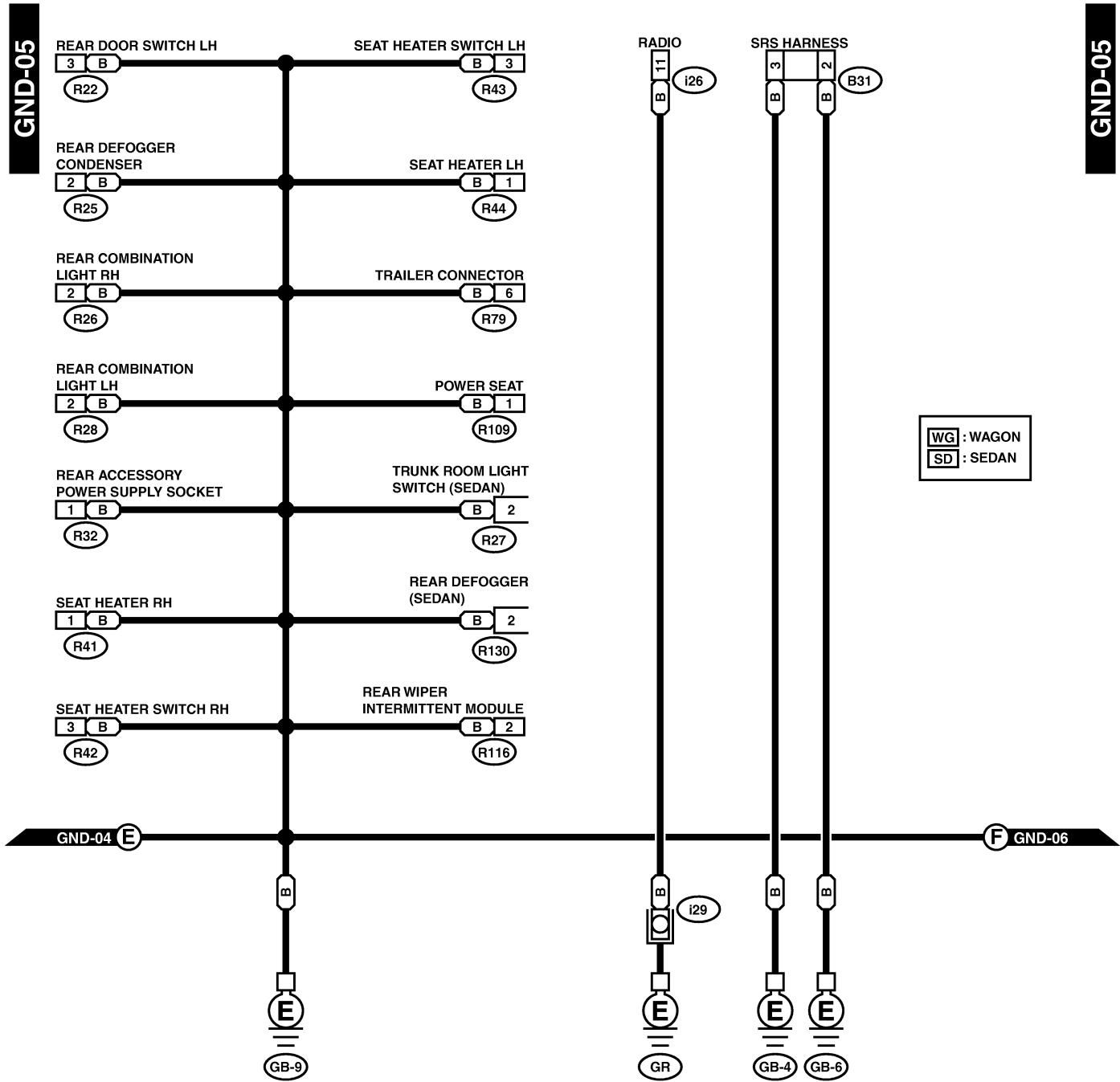
Wiring System



BU04-21D

GROUND DISTRIBUTION

Wiring System

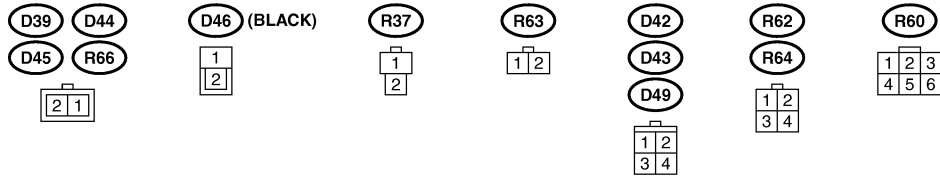
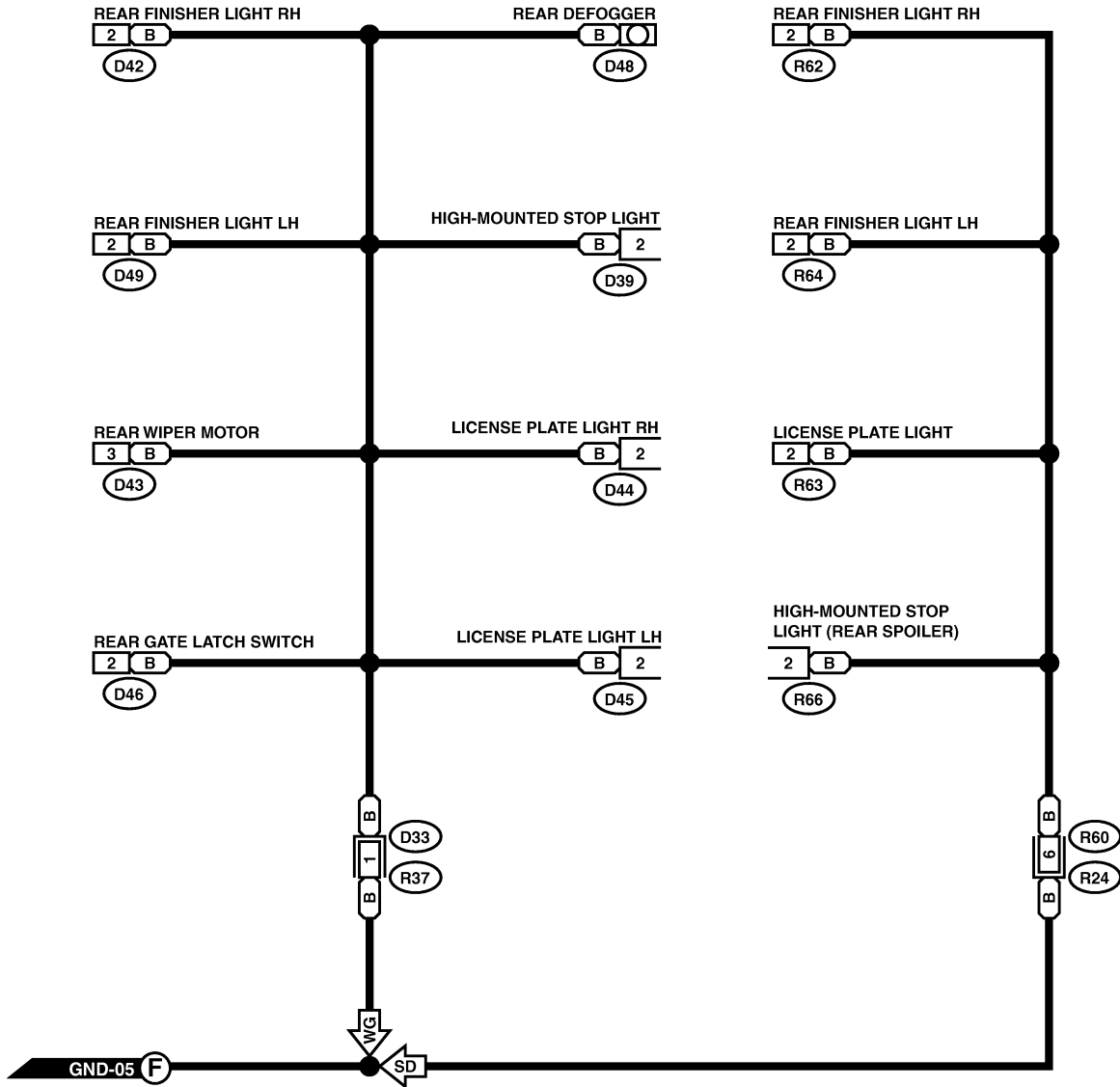
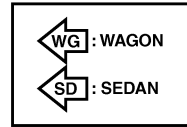


GROUND DISTRIBUTION

Wiring System

GND-06

GND-06



GROUND DISTRIBUTION

Wiring System

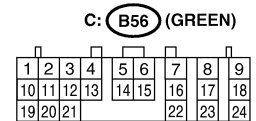
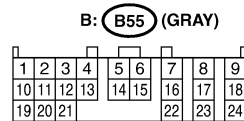
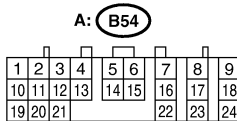
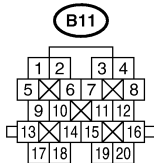
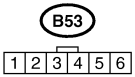
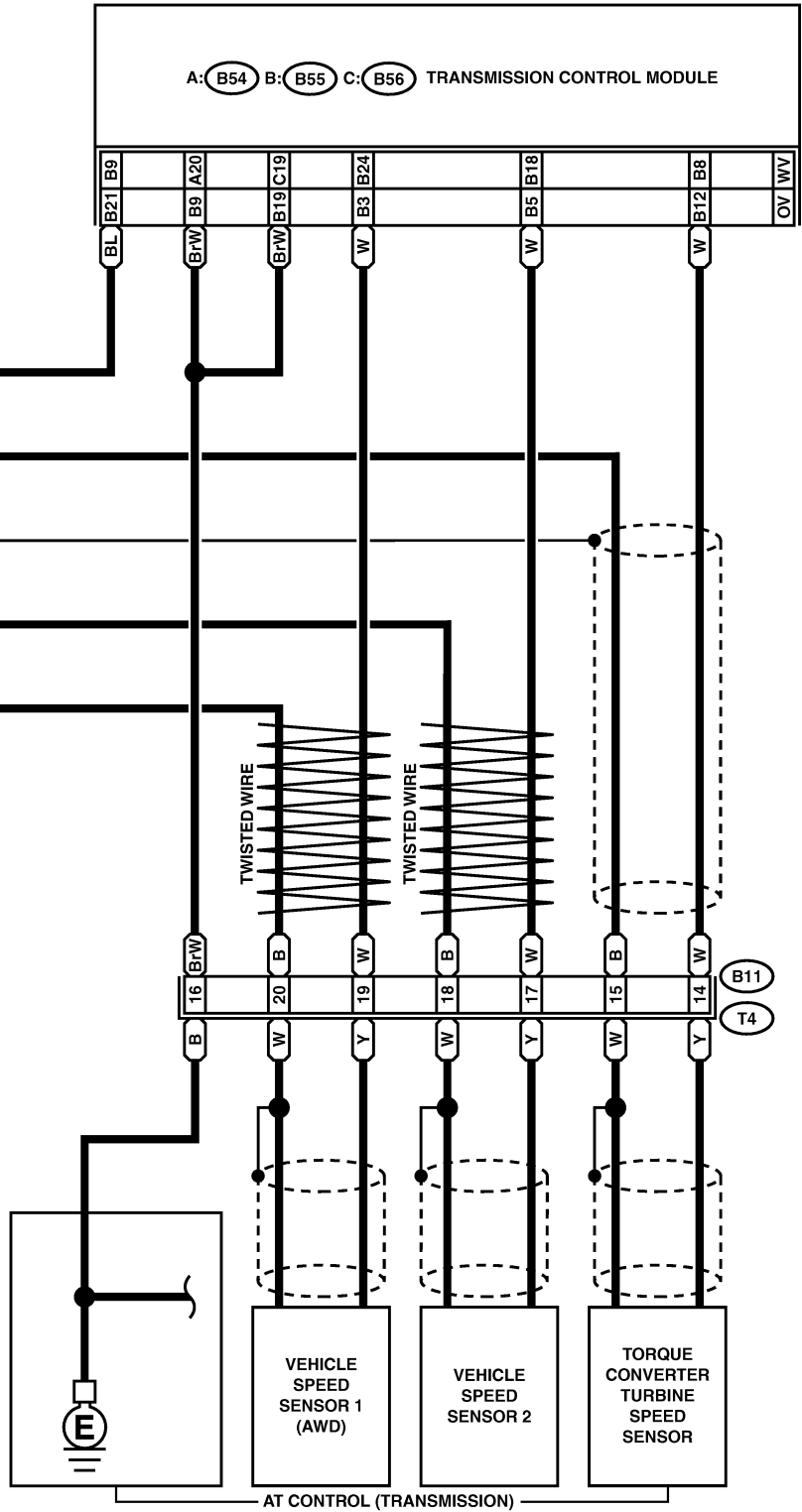
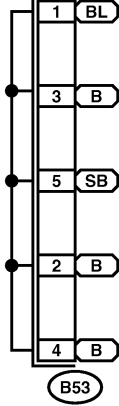
GND-07

GND-07

OV : WITHOUT VDC MODEL
WV : WITH VDC MODEL

A: B54 B: B55 C: B56 TRANSMISSION CONTROL MODULE

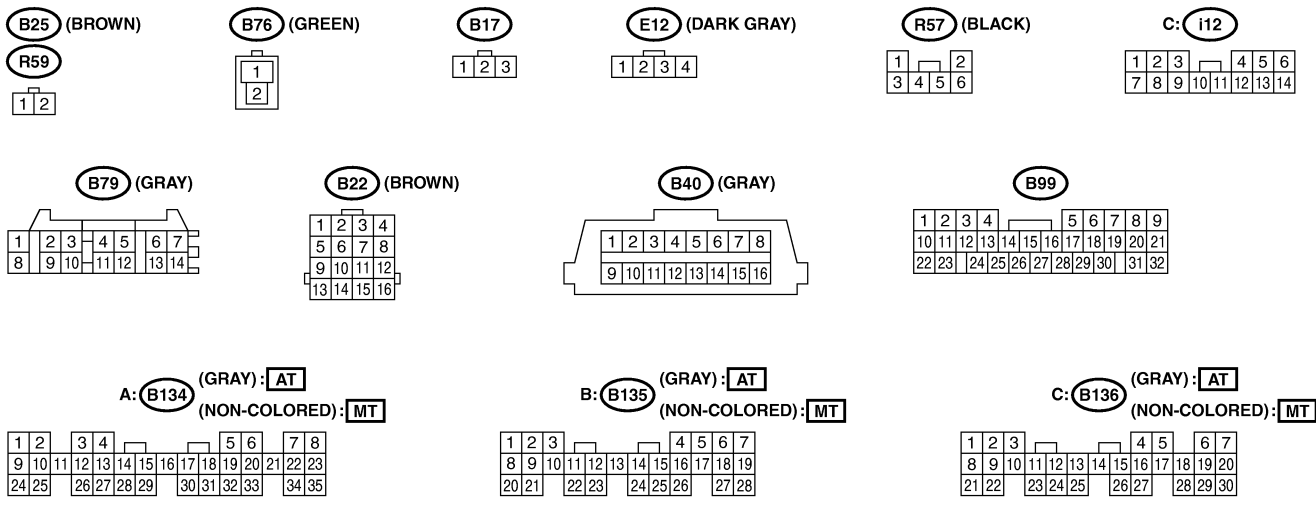
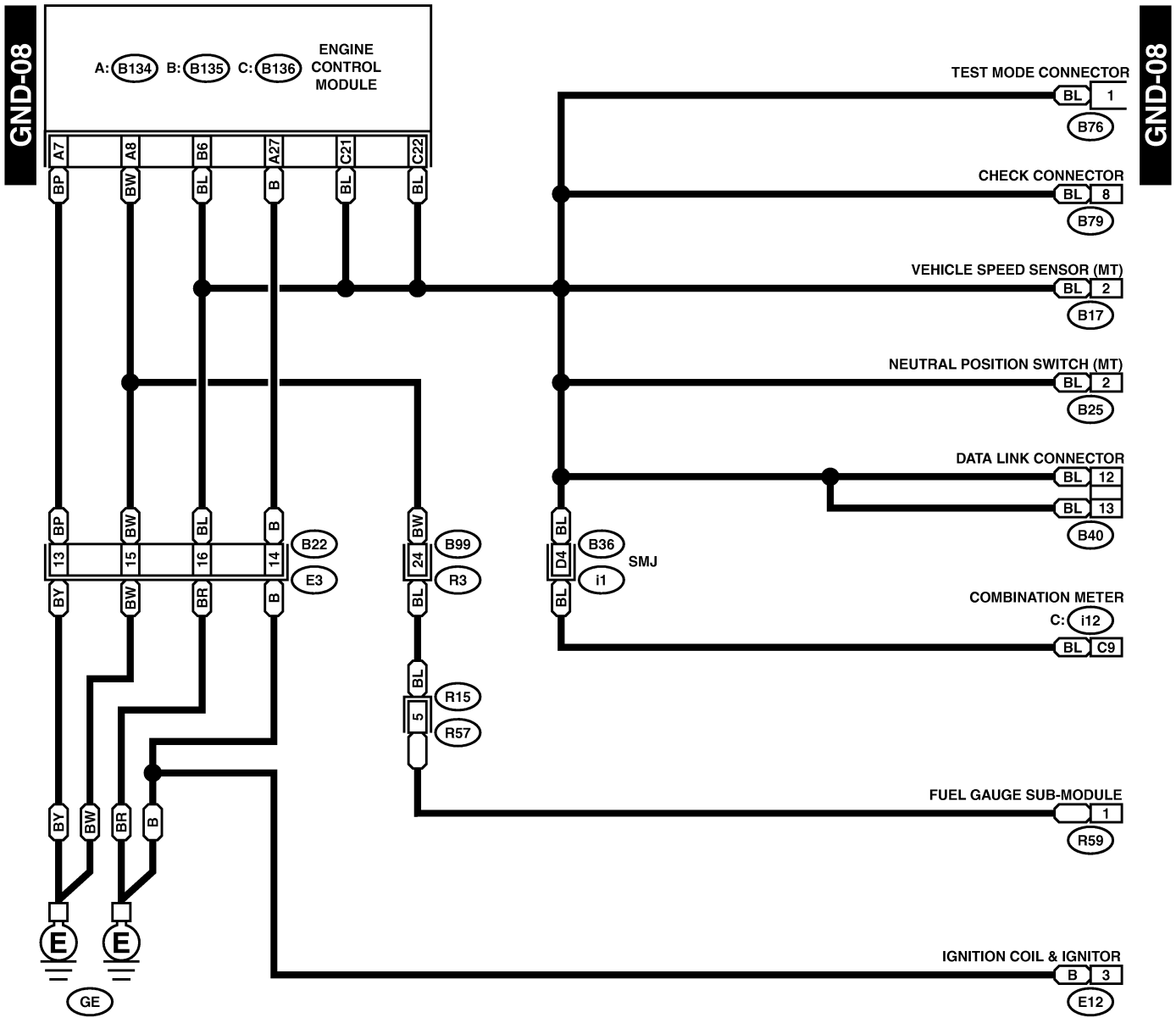
SHIELD JOINT CONNECTOR



BU04-21G

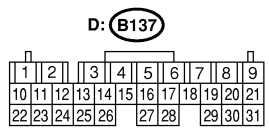
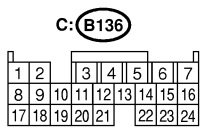
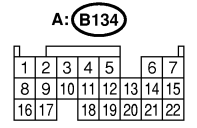
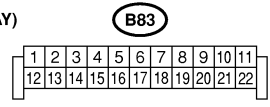
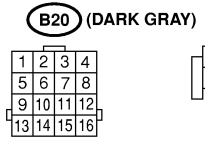
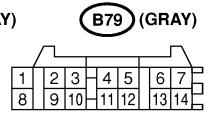
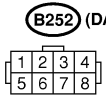
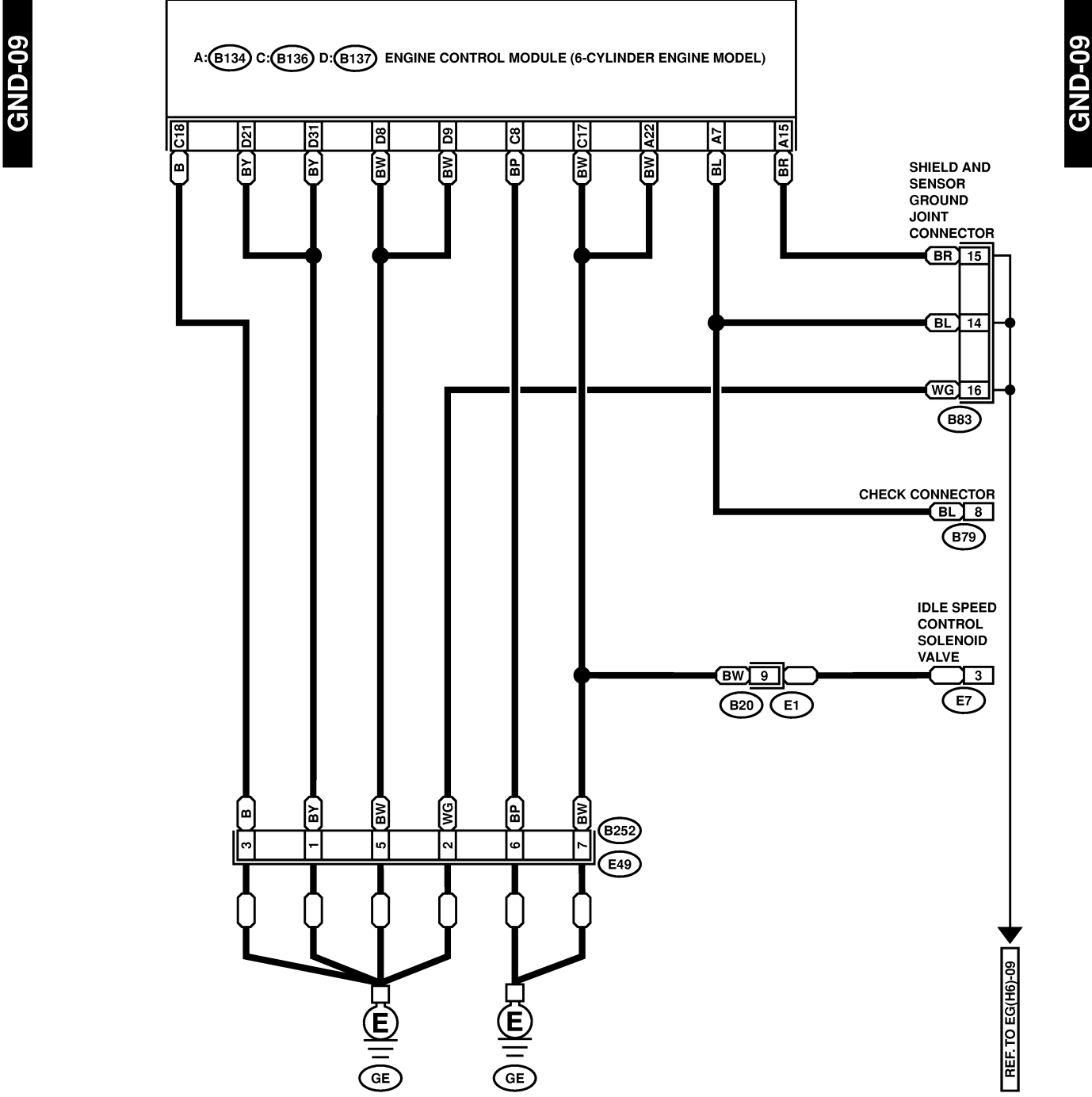
GROUND DISTRIBUTION

Wiring System



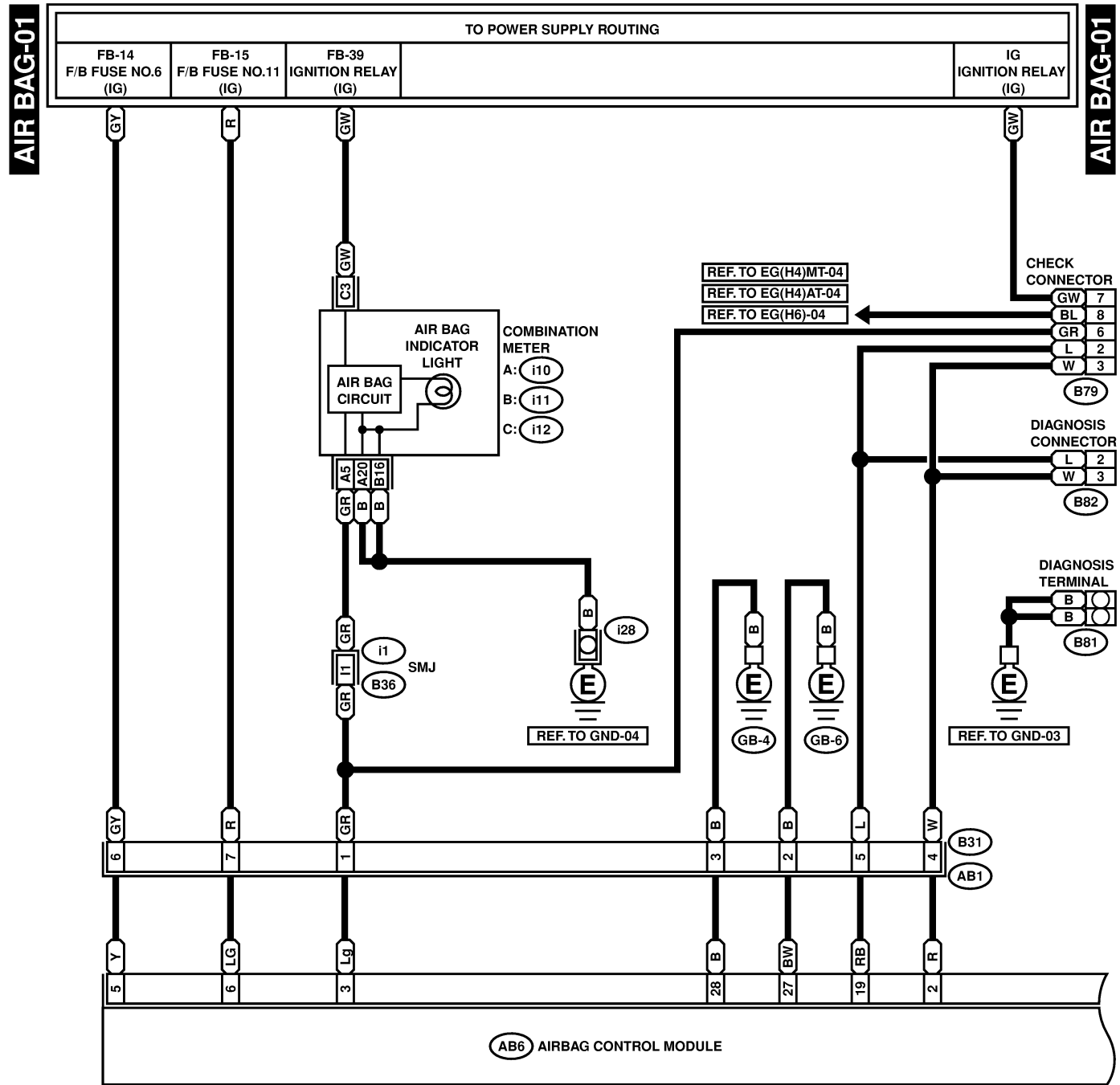
GROUND DISTRIBUTION

Wiring System



6. Airbag System S903491

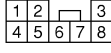
A: SCHEMATIC S903491A21



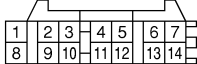
B31 (YELLOW)



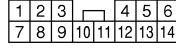
B82



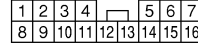
B79 (GRAY)



C: i12 (GREEN)



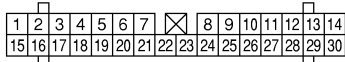
B: i11 (GREEN)



AB6 (YELLOW)



A: i10 (GREEN)

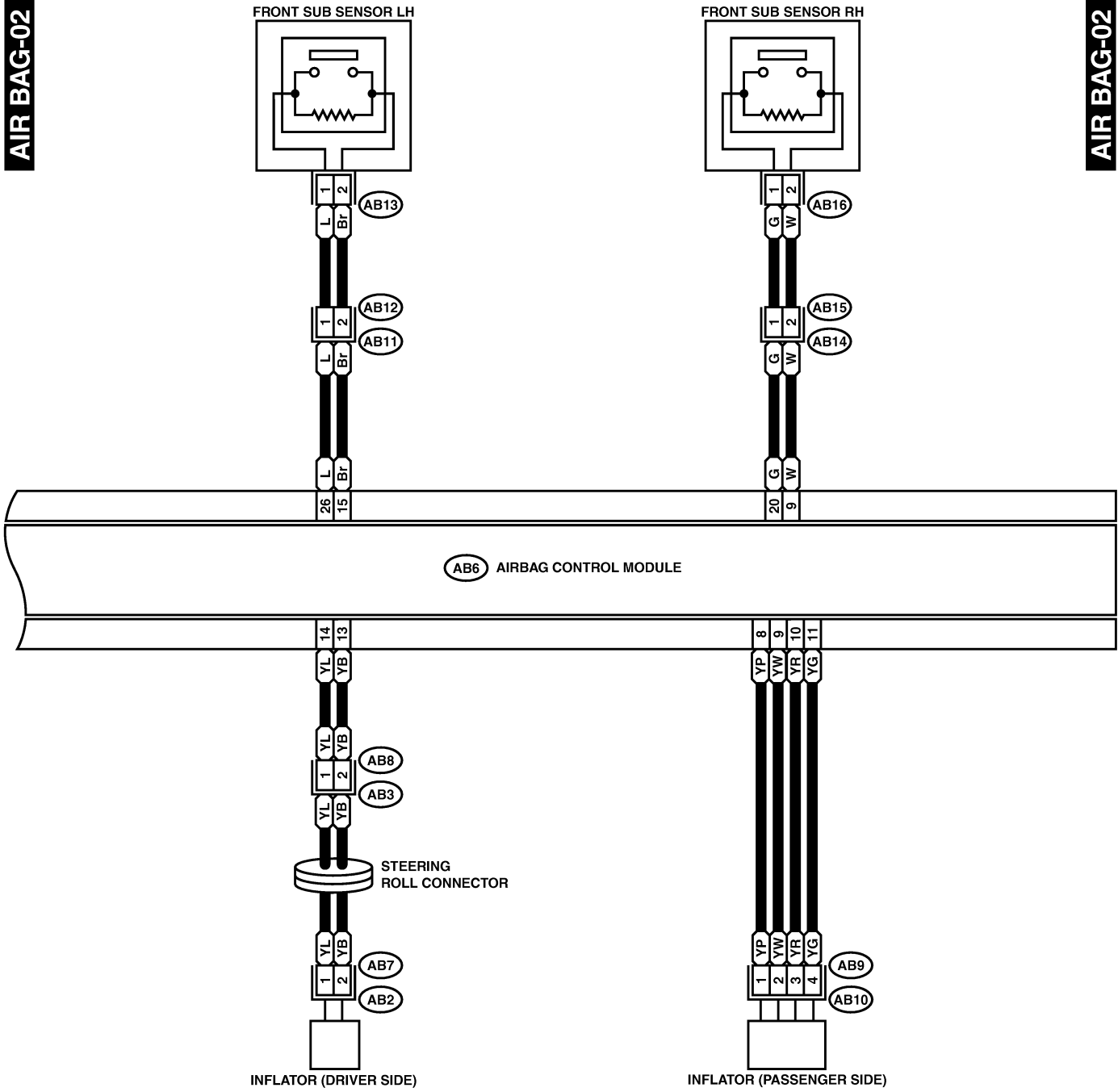


AIRBAG SYSTEM

Wiring System

AIR BAG-02

AIR BAG-02



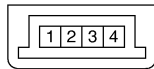
- AB7 (YELLOW)
- AB12 (BLUE)
- AB8 (YELLOW)
- AB15 (BLUE)



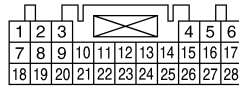
- AB13 (YELLOW)
- AB16 (YELLOW)



- AB9 (YELLOW)

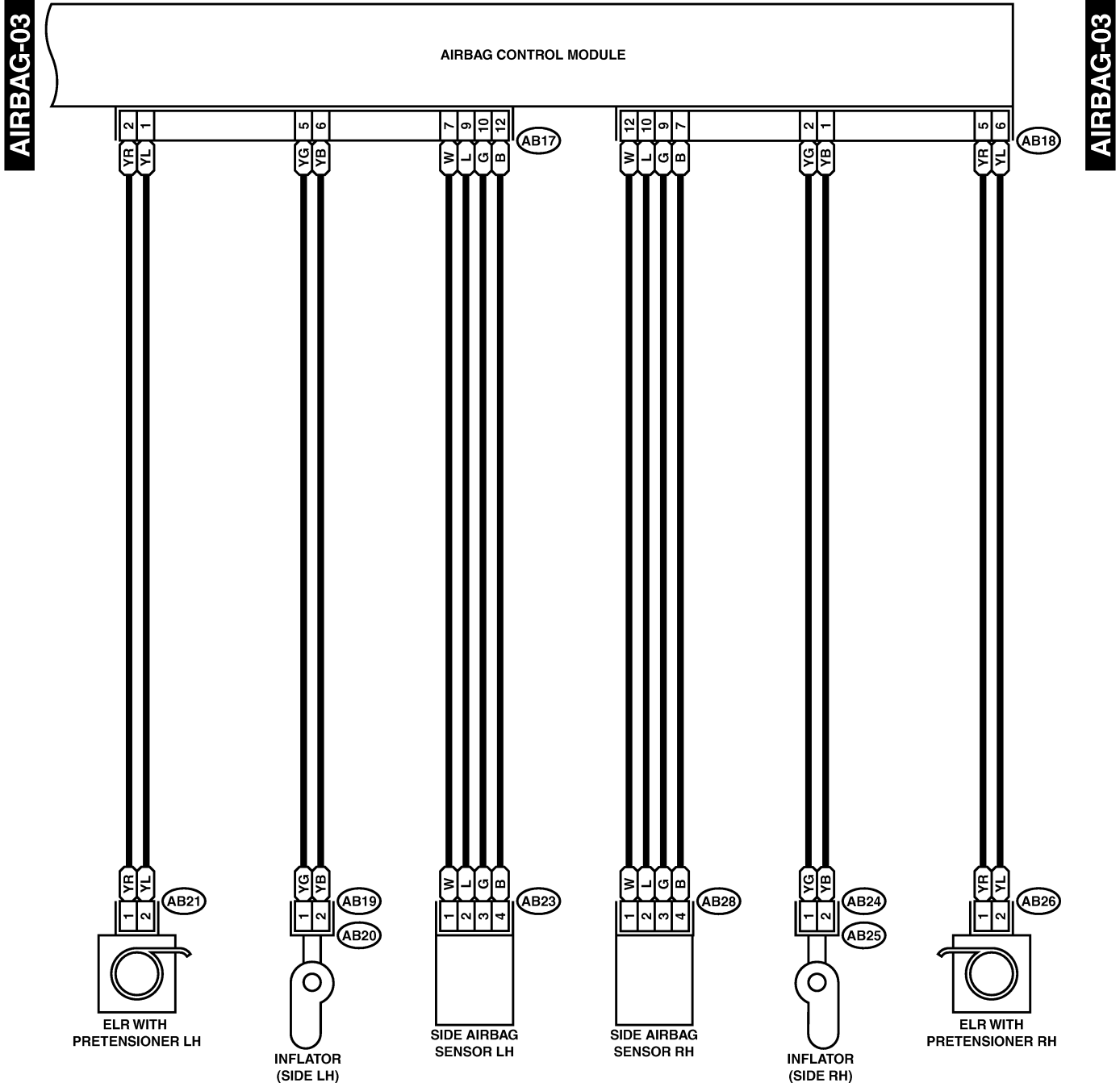


- AB6 (YELLOW)



AIRBAG SYSTEM

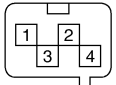
Wiring System



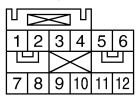
- AB19 (YELLOW)
- AB21 (YELLOW)
- AB24 (YELLOW)
- AB26 (YELLOW)



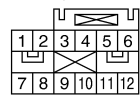
- AB23 (YELLOW)
- AB28 (YELLOW)



- AB17 (YELLOW)



- AB18 (YELLOW)



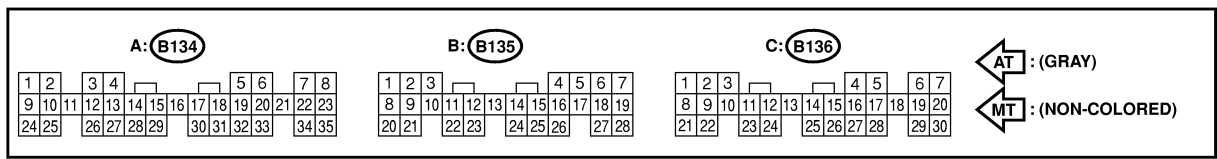
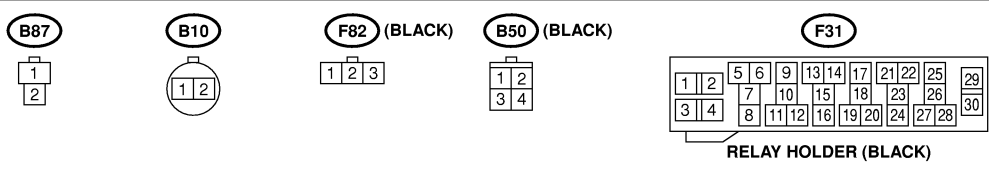
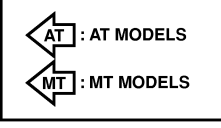
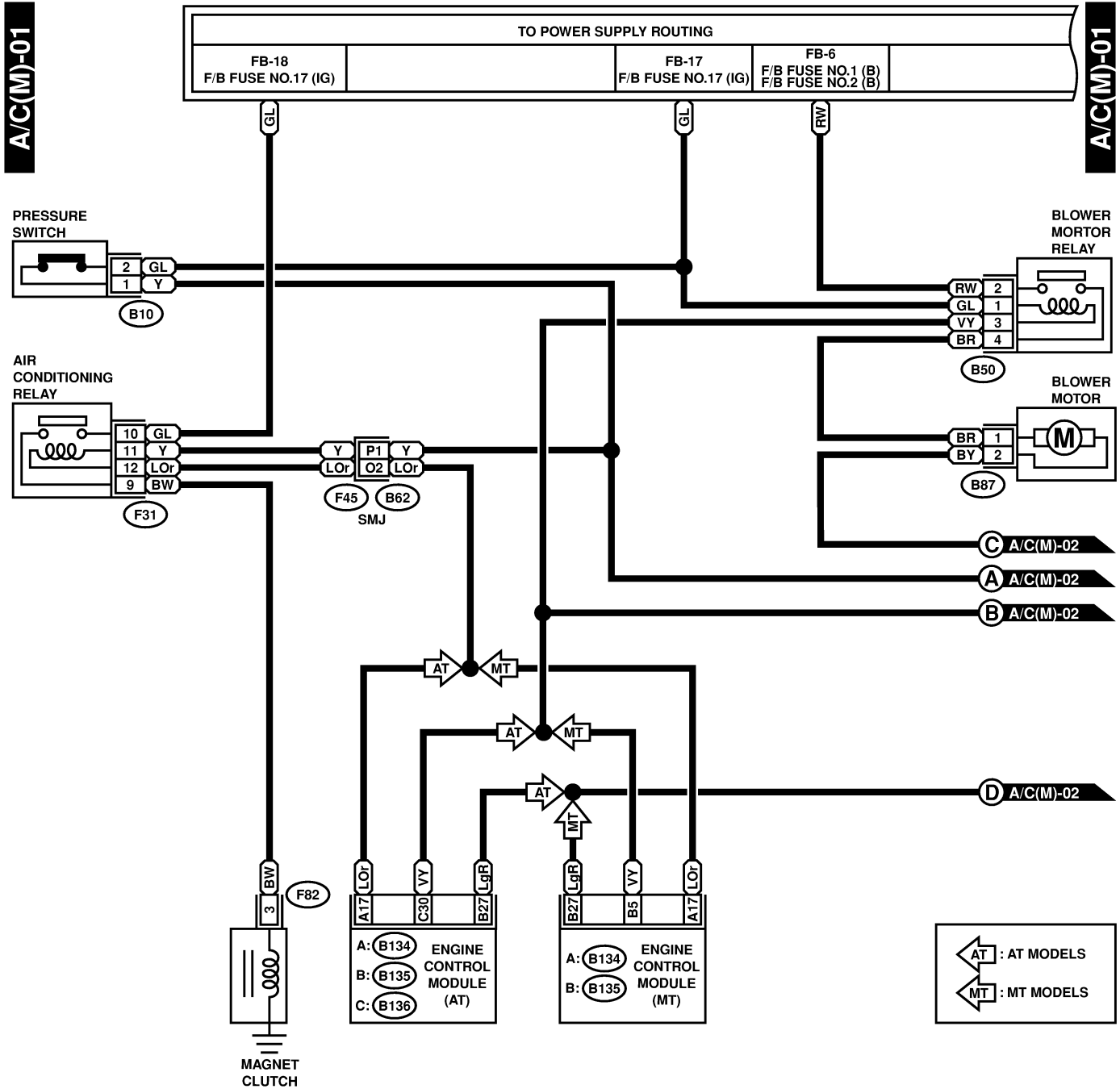
7. Air Conditioning System S903471

A: SCHEMATIC S903471A21

AIR CONDITIONING SYSTEM

Wiring System

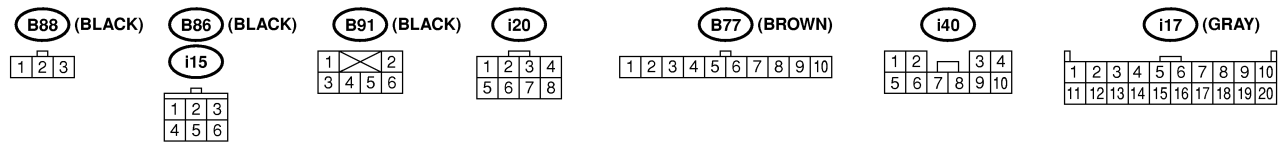
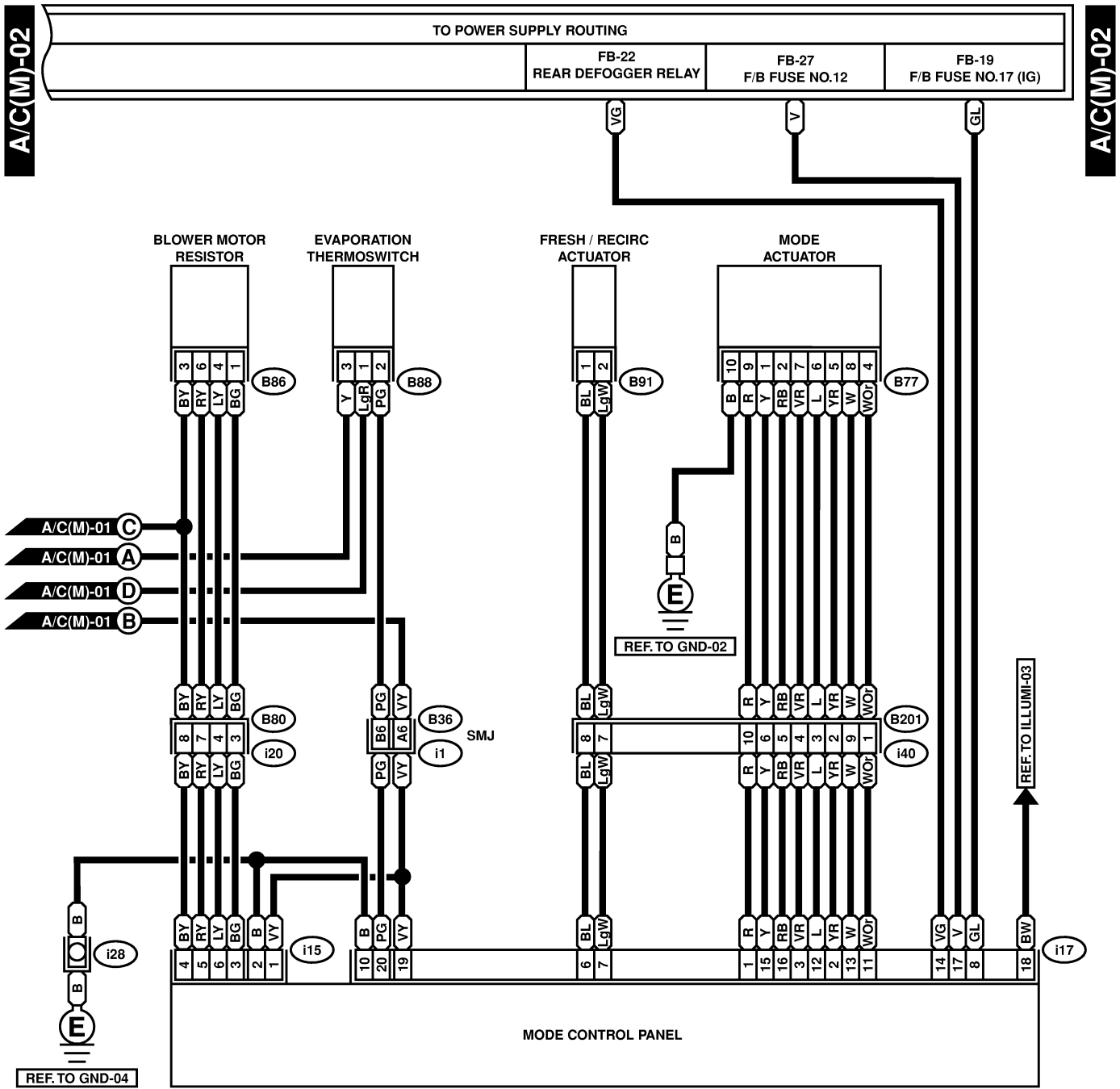
1. MANUAL A/C MODEL S903471A2.105



BU45-21A

AIR CONDITIONING SYSTEM

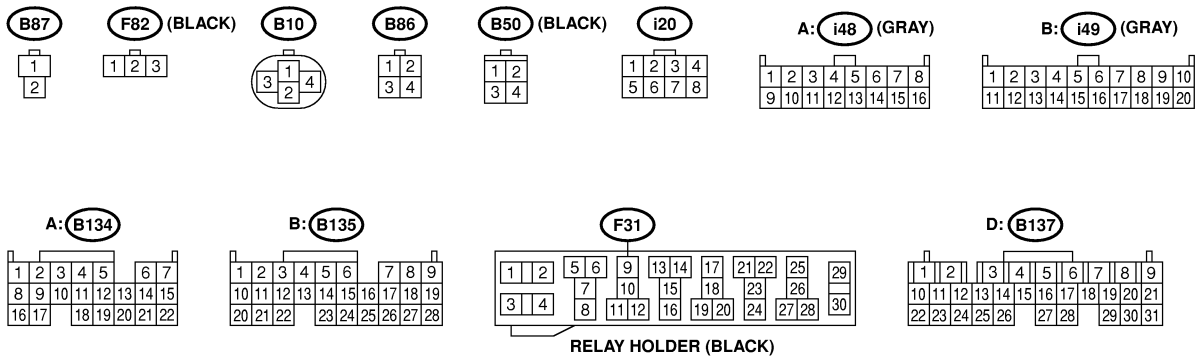
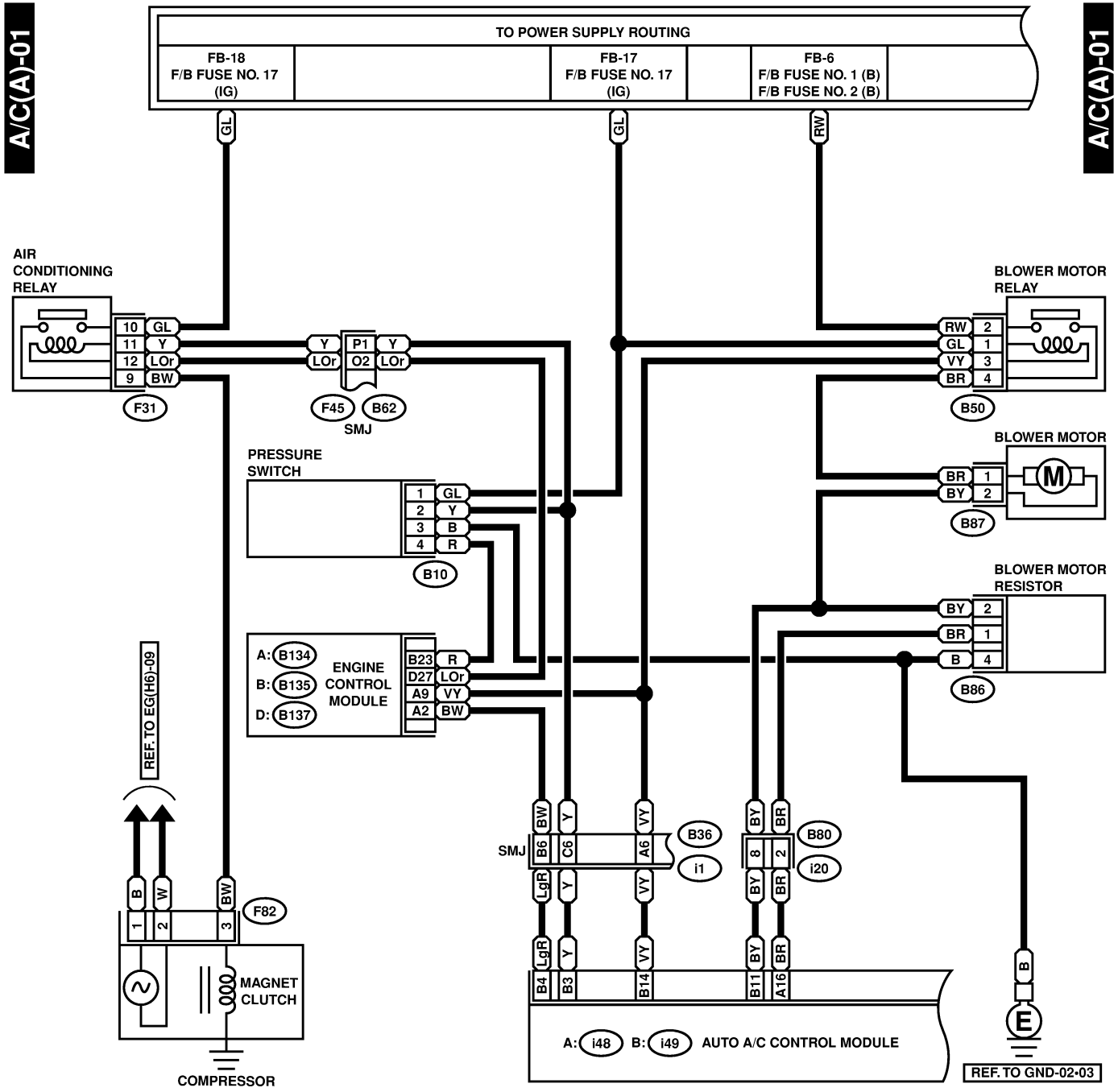
Wiring System



AIR CONDITIONING SYSTEM

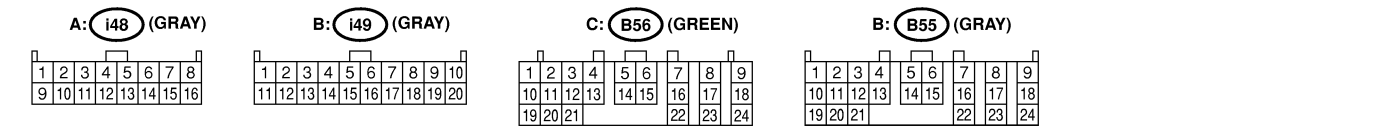
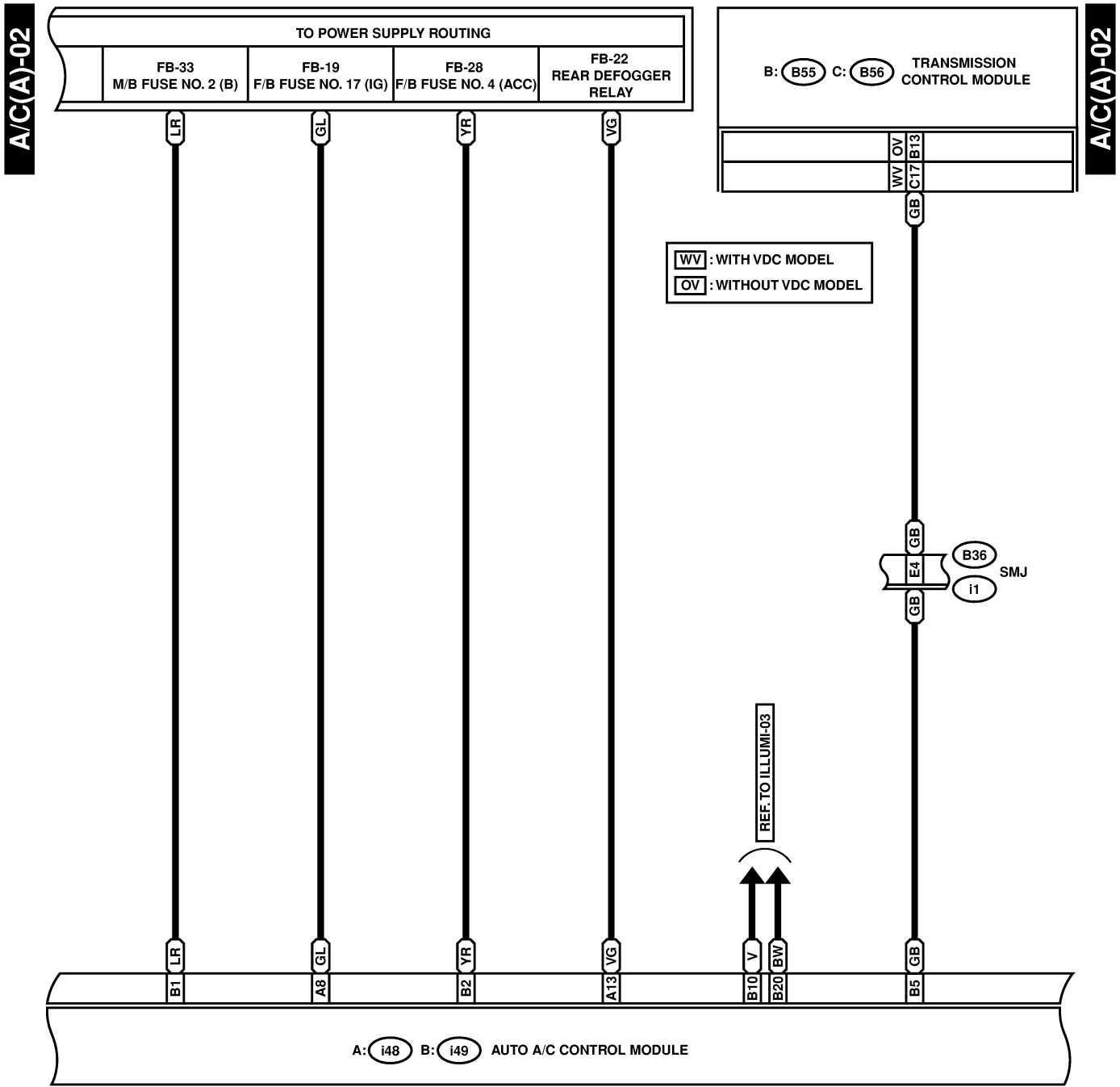
Wiring System

2. AUTO A/C MODEL S903471A2.106



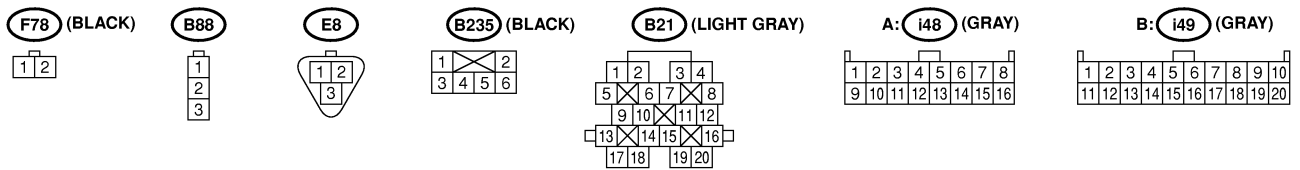
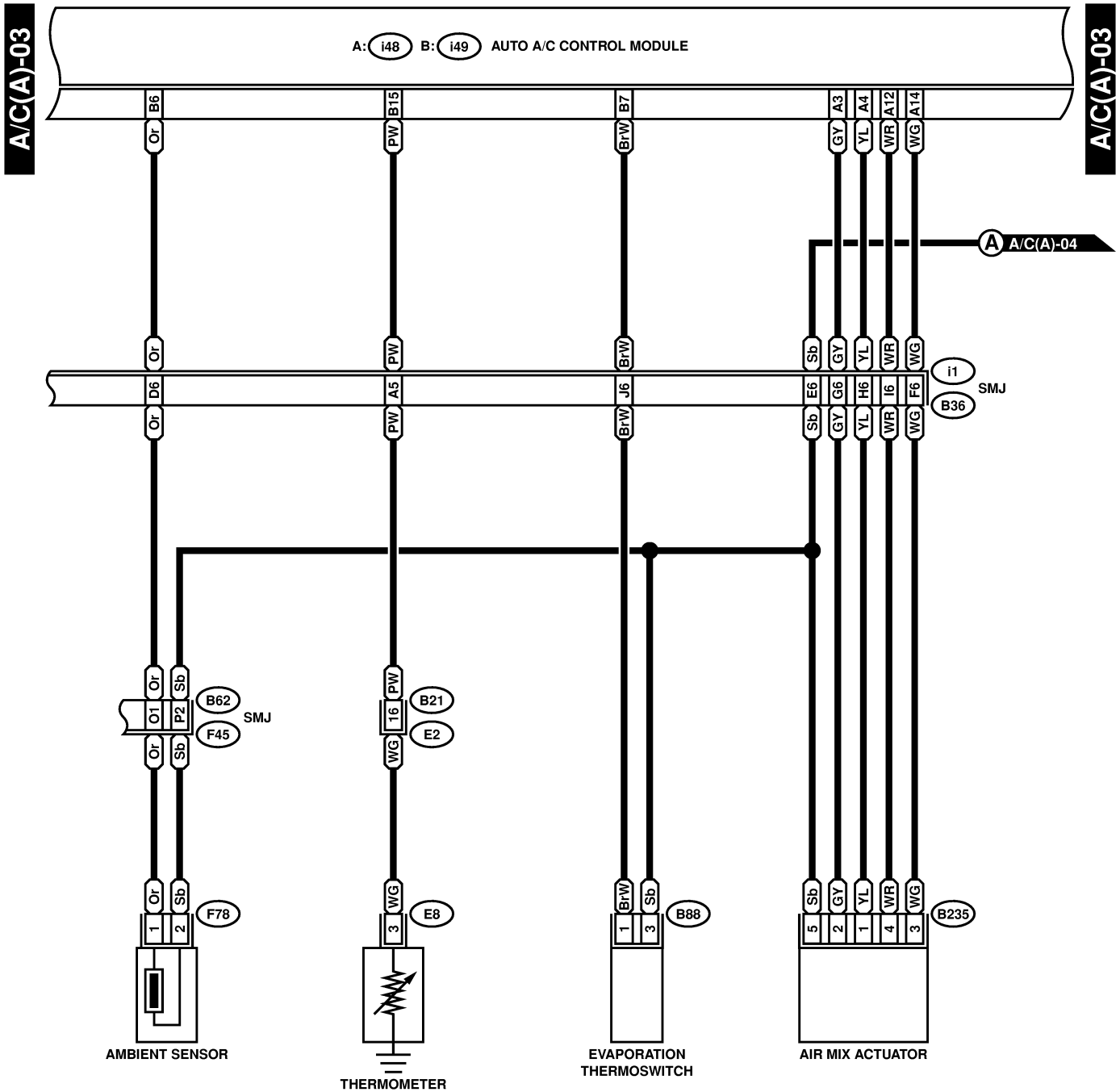
AIR CONDITIONING SYSTEM

Wiring System



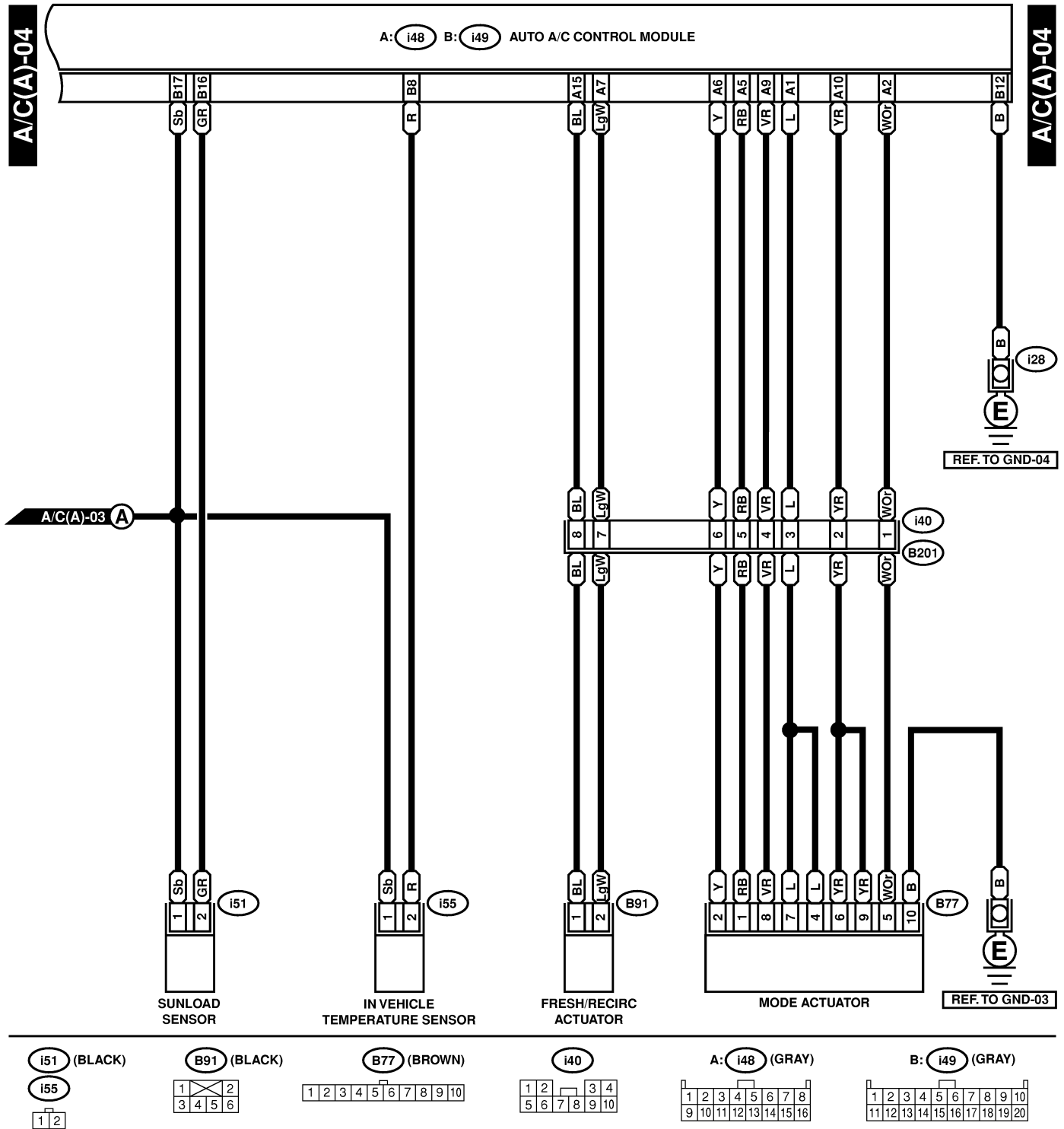
AIR CONDITIONING SYSTEM

Wiring System



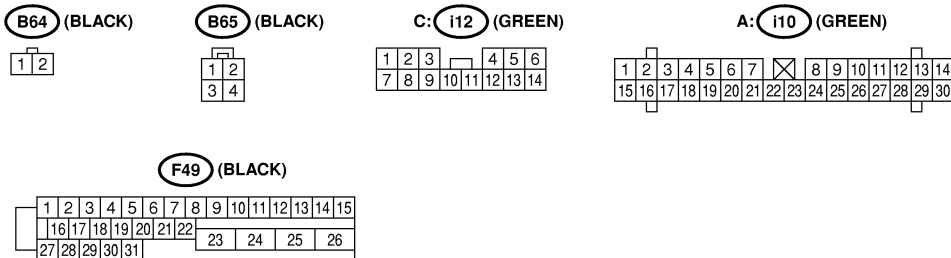
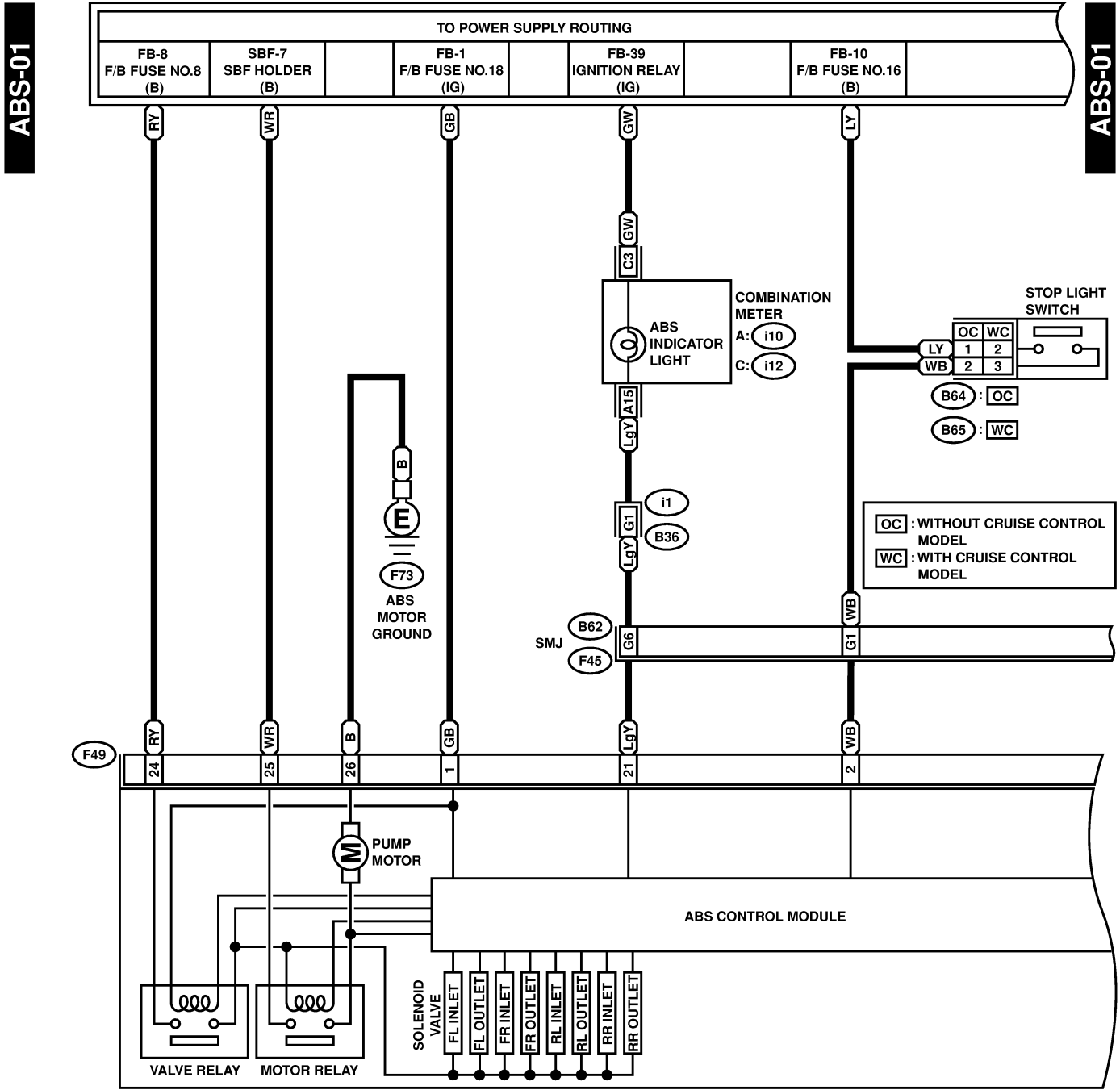
AIR CONDITIONING SYSTEM

Wiring System



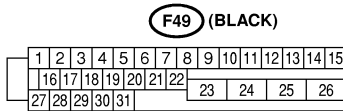
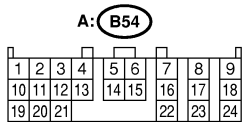
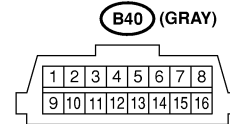
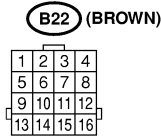
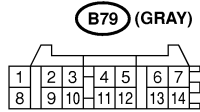
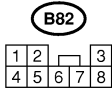
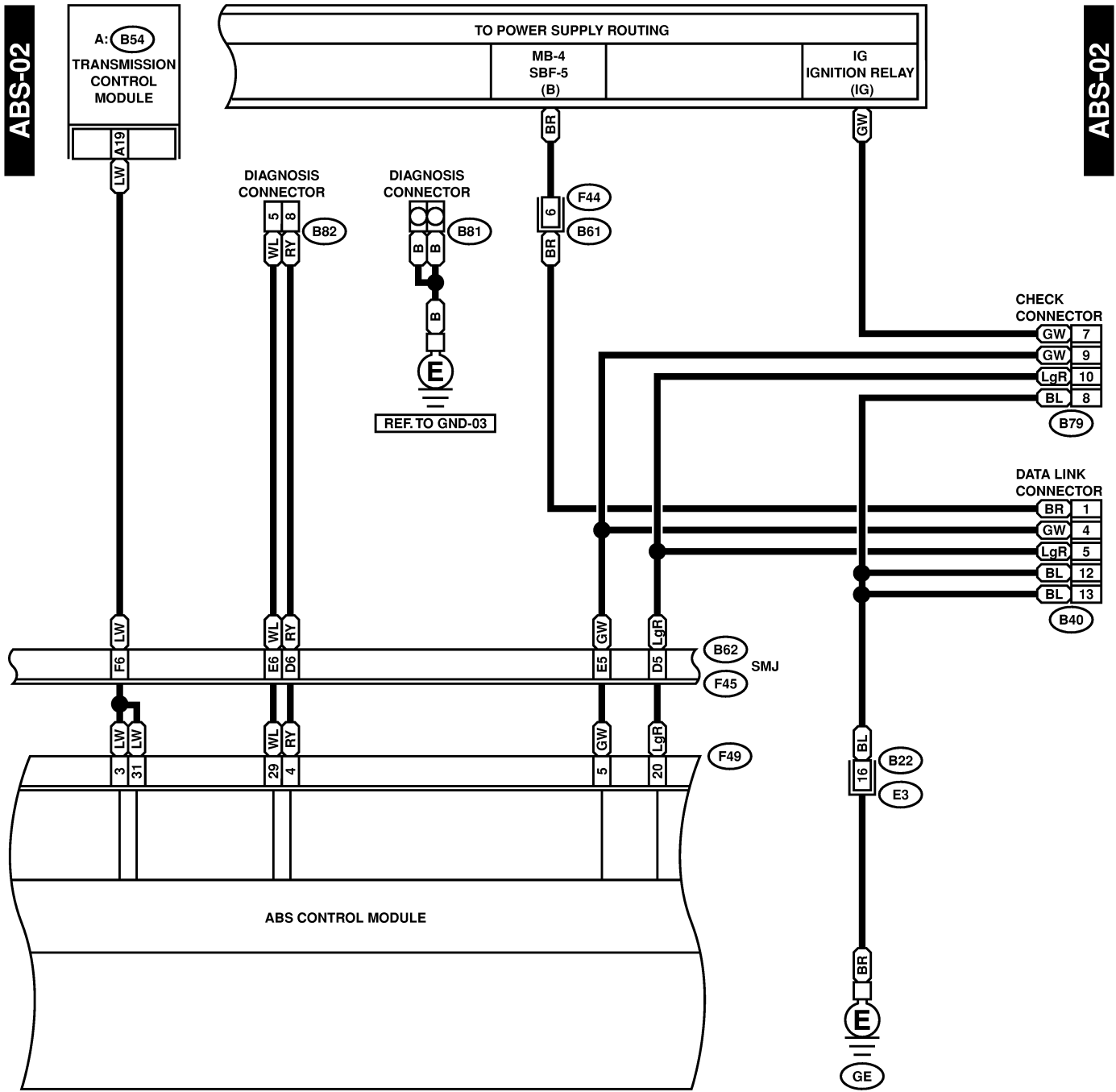
8. Anti-lock Brake System S903484

A: SCHEMATIC S903484A21



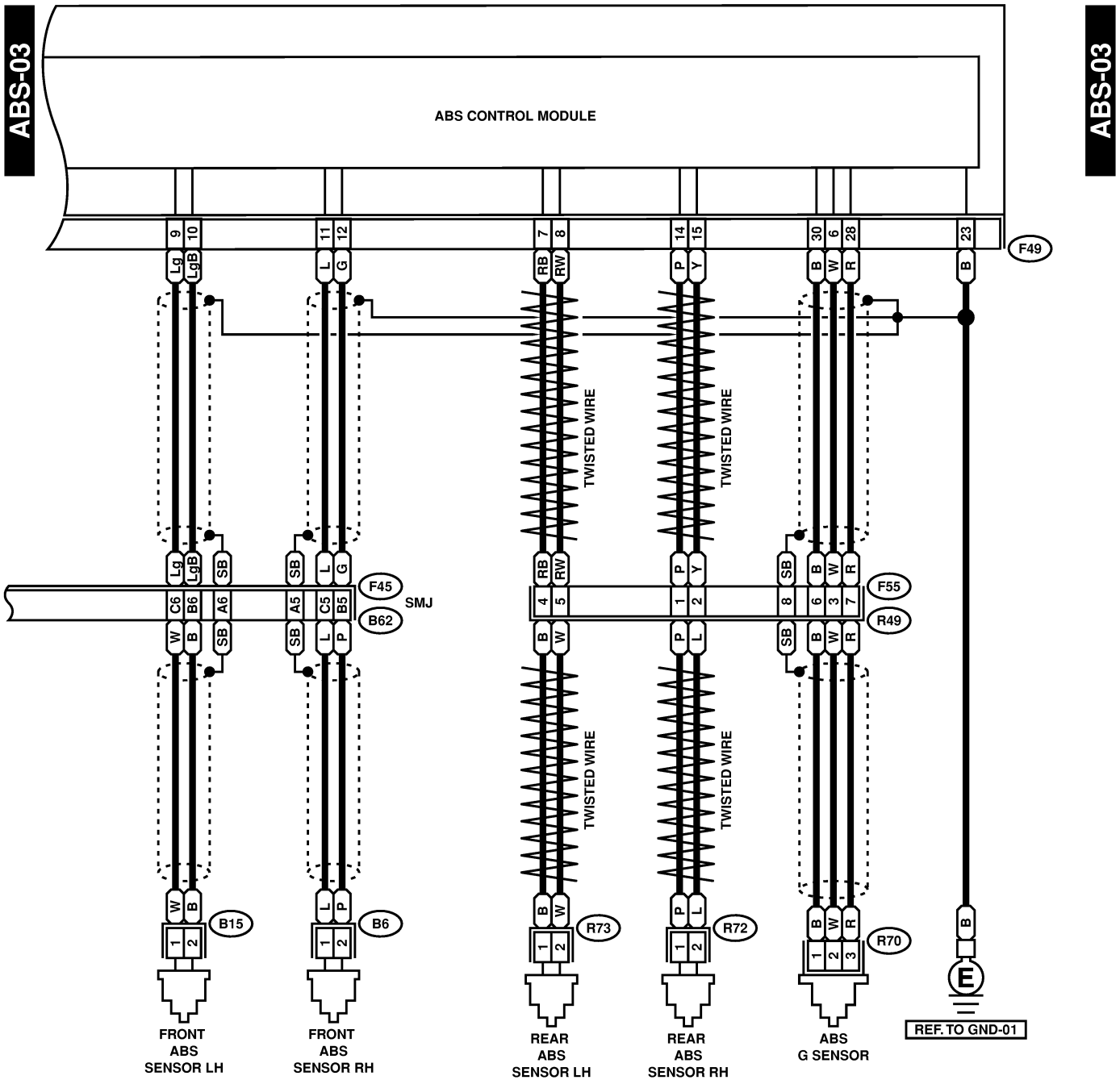
ANTI-LOCK BRAKE SYSTEM

Wiring System



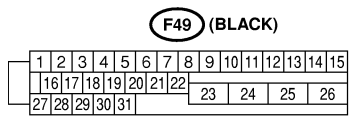
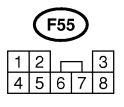
ANTI-LOCK BRAKE SYSTEM

Wiring System



- B6 : *1 R72 (GRAY)
- B15 : *1 R73 (GRAY)

- R70 (BLACK)



*1 : OUT BACK: (BROWN)
OTHER MODELS: (GRAY)

9. A/T Control System S903485

A: SCHEMATIC S903485A21

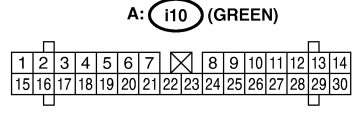
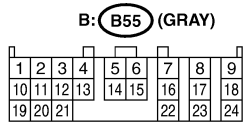
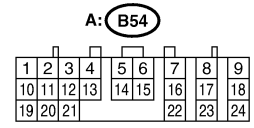
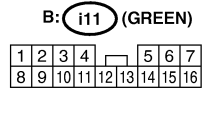
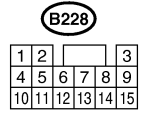
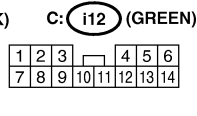
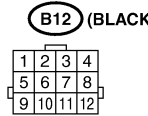
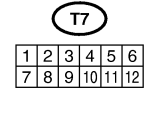
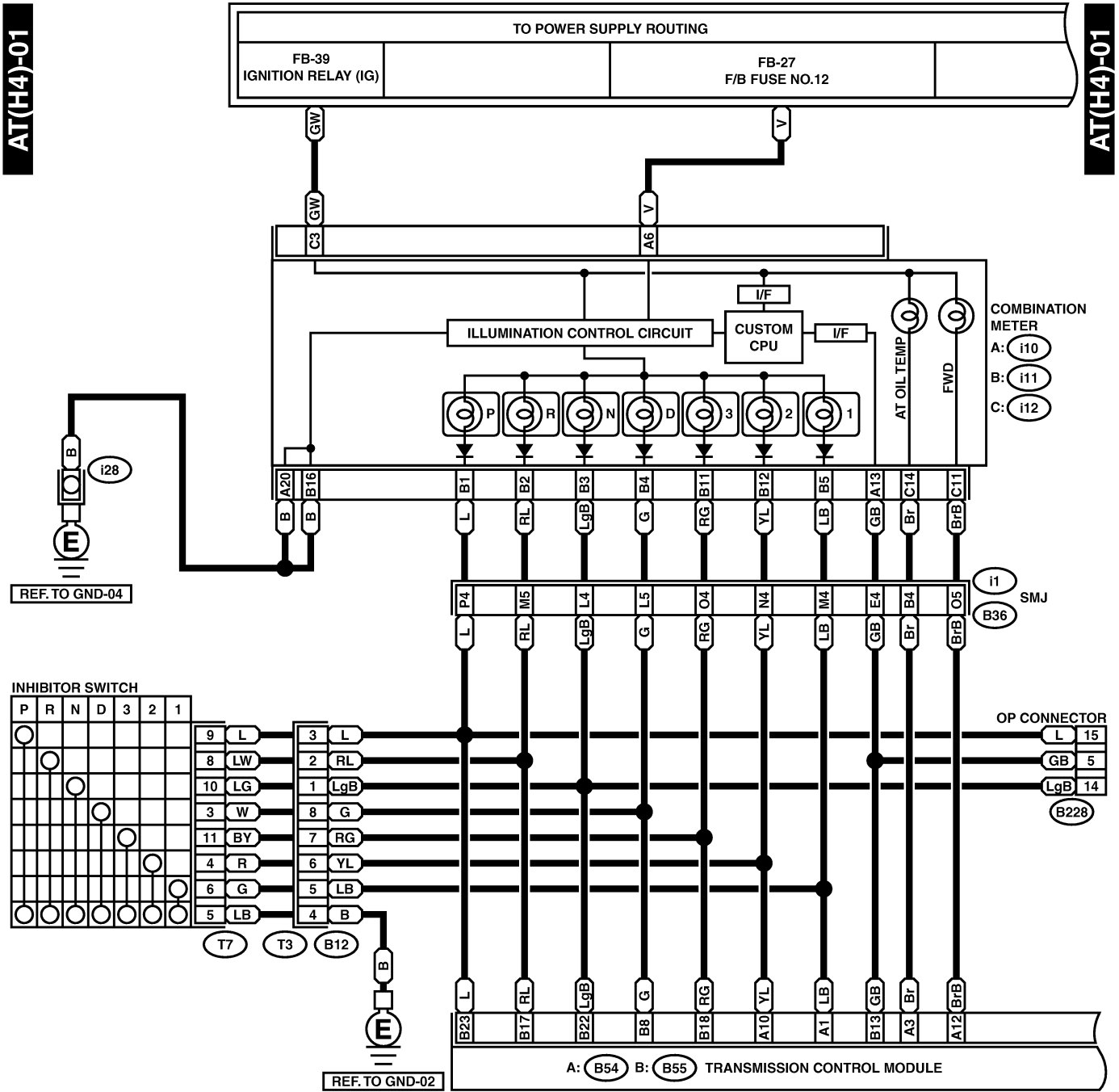
A/T CONTROL SYSTEM

Wiring System

1. 4-CYLINDER ENGINE MODEL S903485A2103

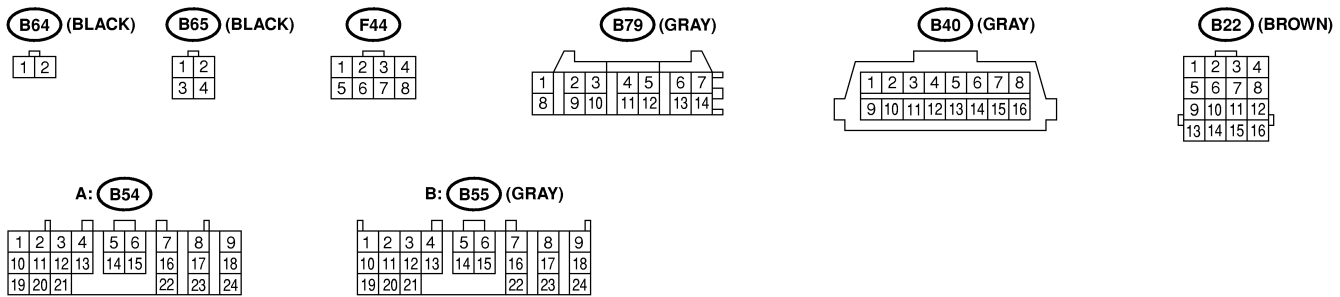
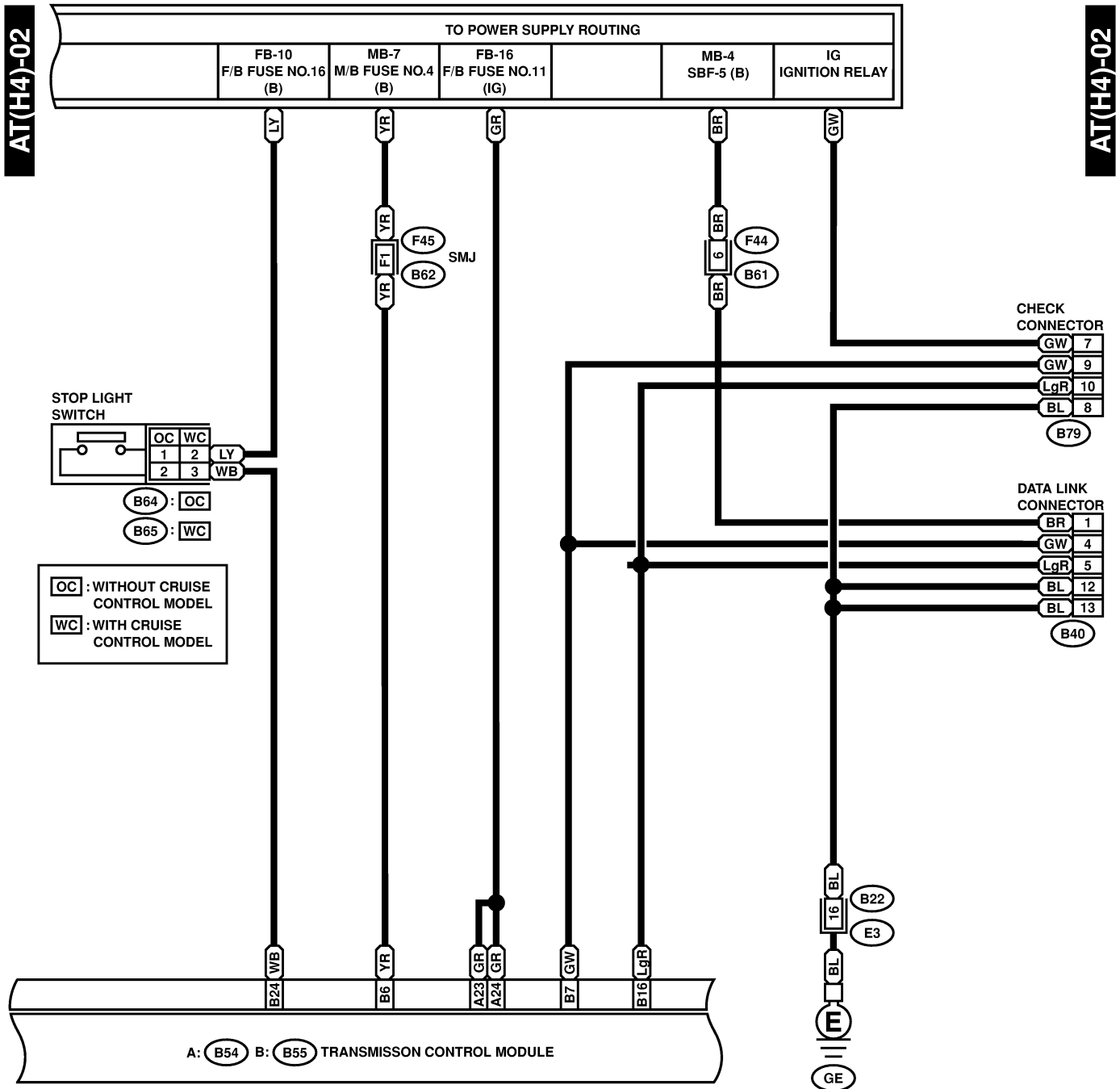
AT(H4)-01

AT(H4)-01



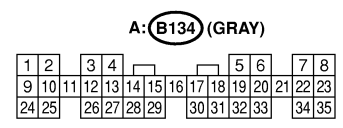
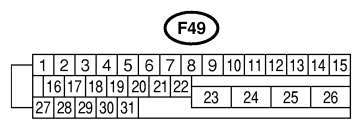
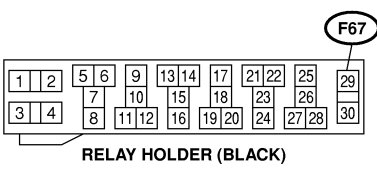
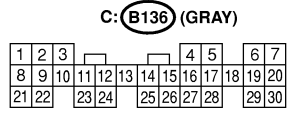
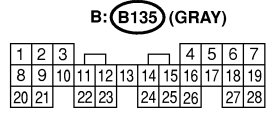
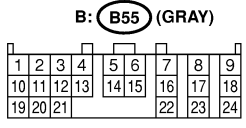
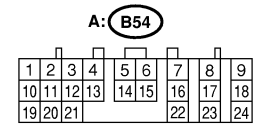
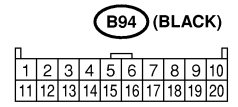
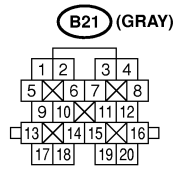
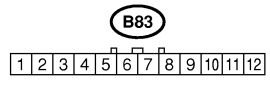
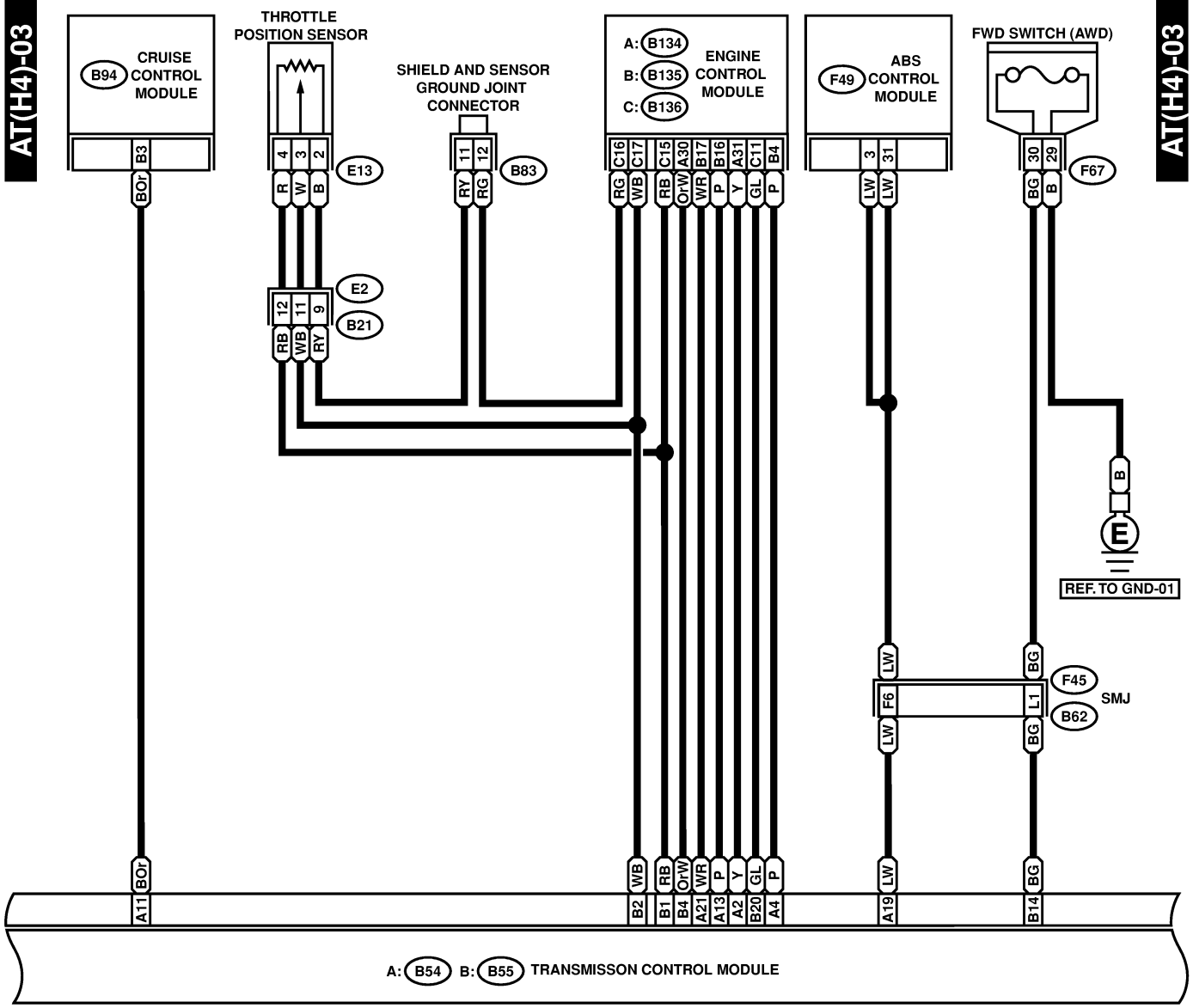
A/T CONTROL SYSTEM

Wiring System



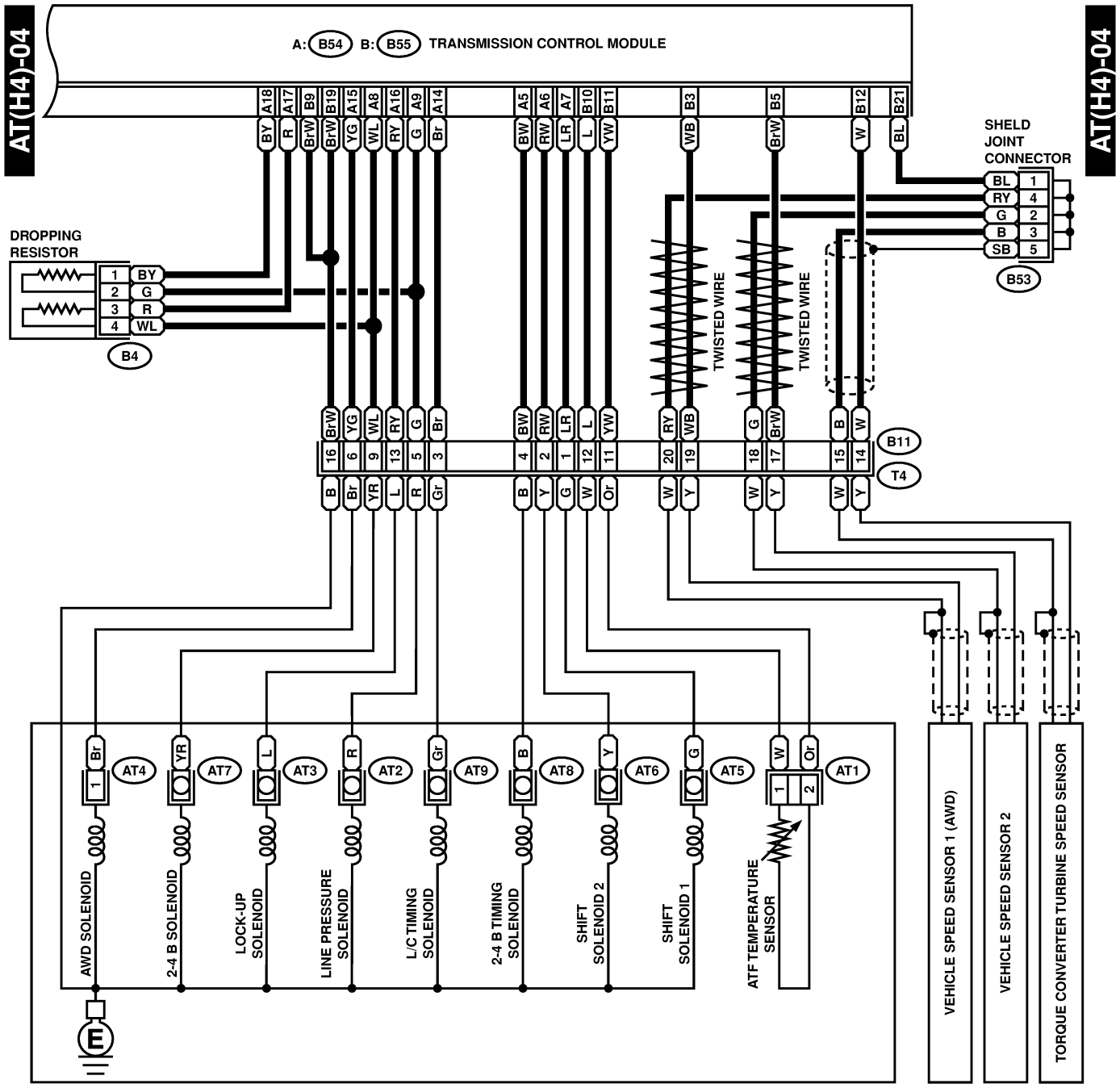
A/T CONTROL SYSTEM

Wiring System



A/T CONTROL SYSTEM

Wiring System



(AT4) (BROWN)



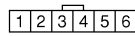
(AT1) (GRAY)



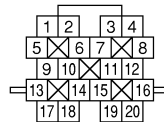
(B4) (GRAY)



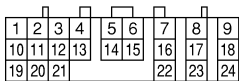
(B53) (GRAY)



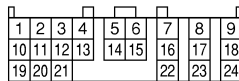
(B11) (BLACK)



A: (B54)



B: (B55) (GRAY)



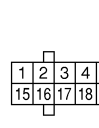
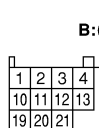
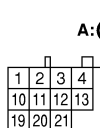
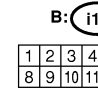
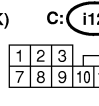
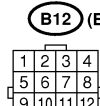
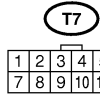
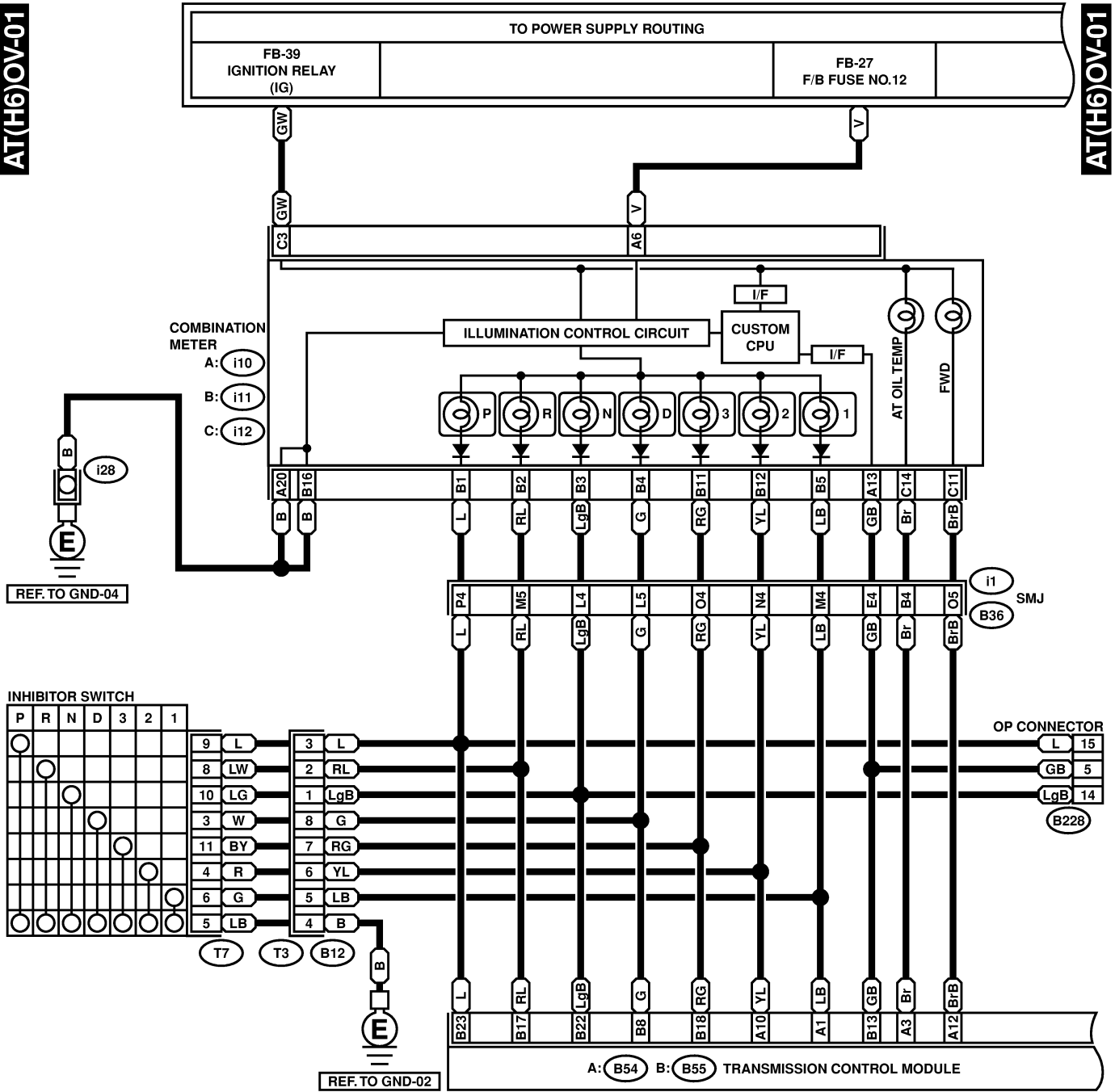
A/T CONTROL SYSTEM

Wiring System

2. 6-CYLINDER ENGINE WITHOUT VDC MODEL S903485A2104

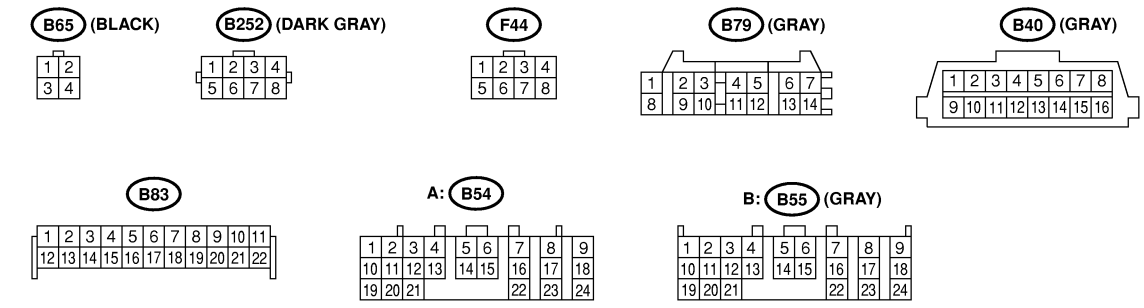
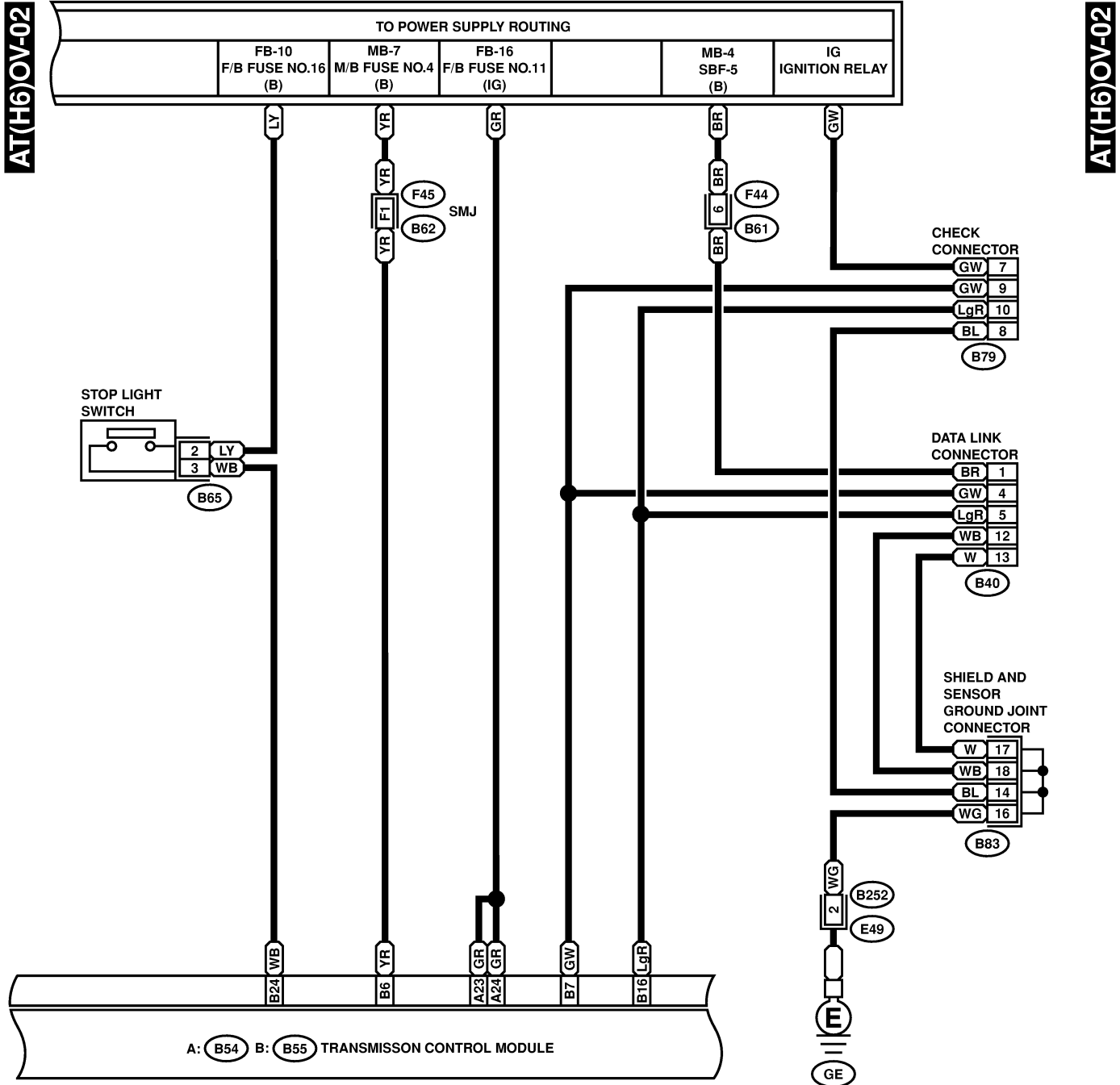
AT(H6)OV-01

AT(H6)OV-01



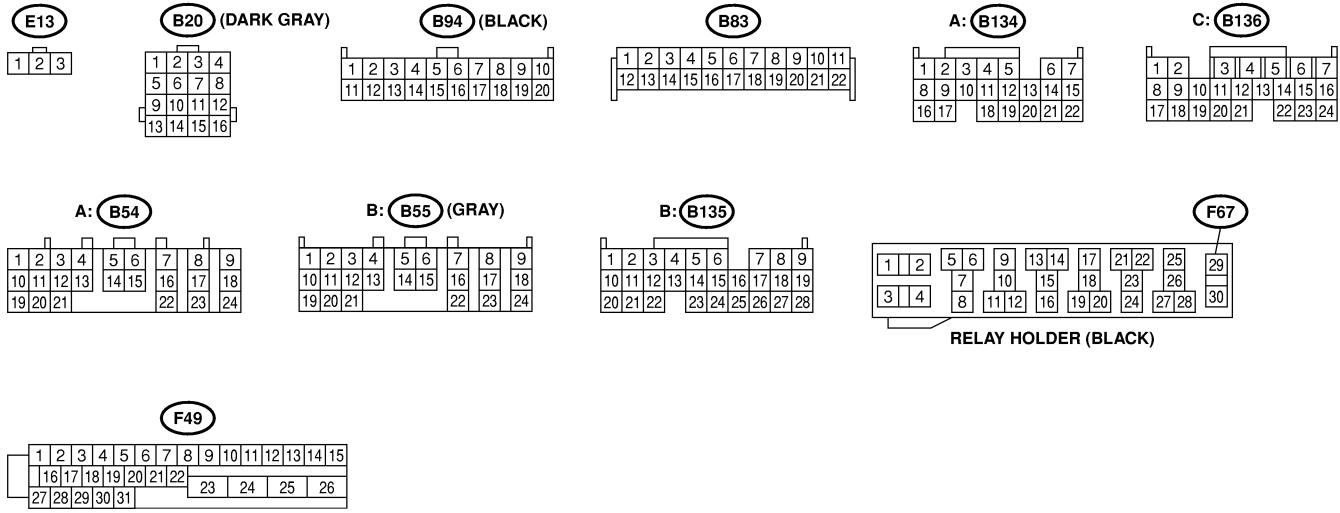
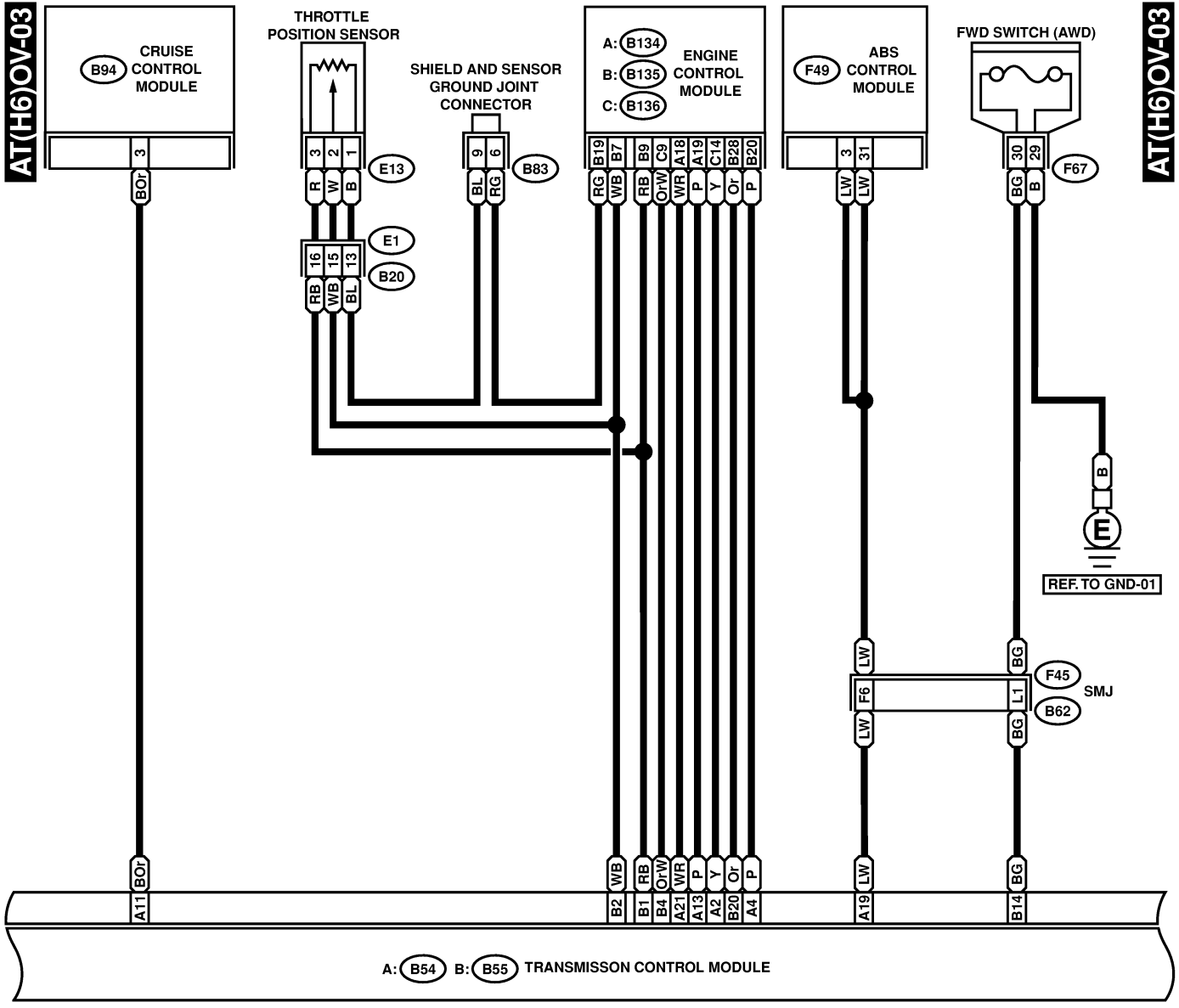
A/T CONTROL SYSTEM

Wiring System



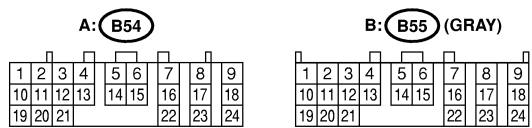
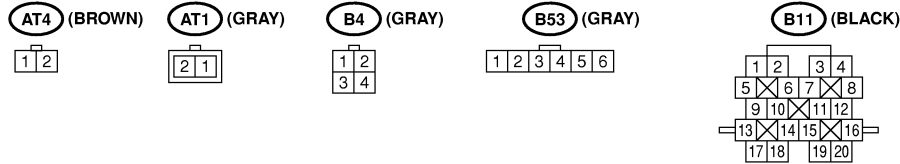
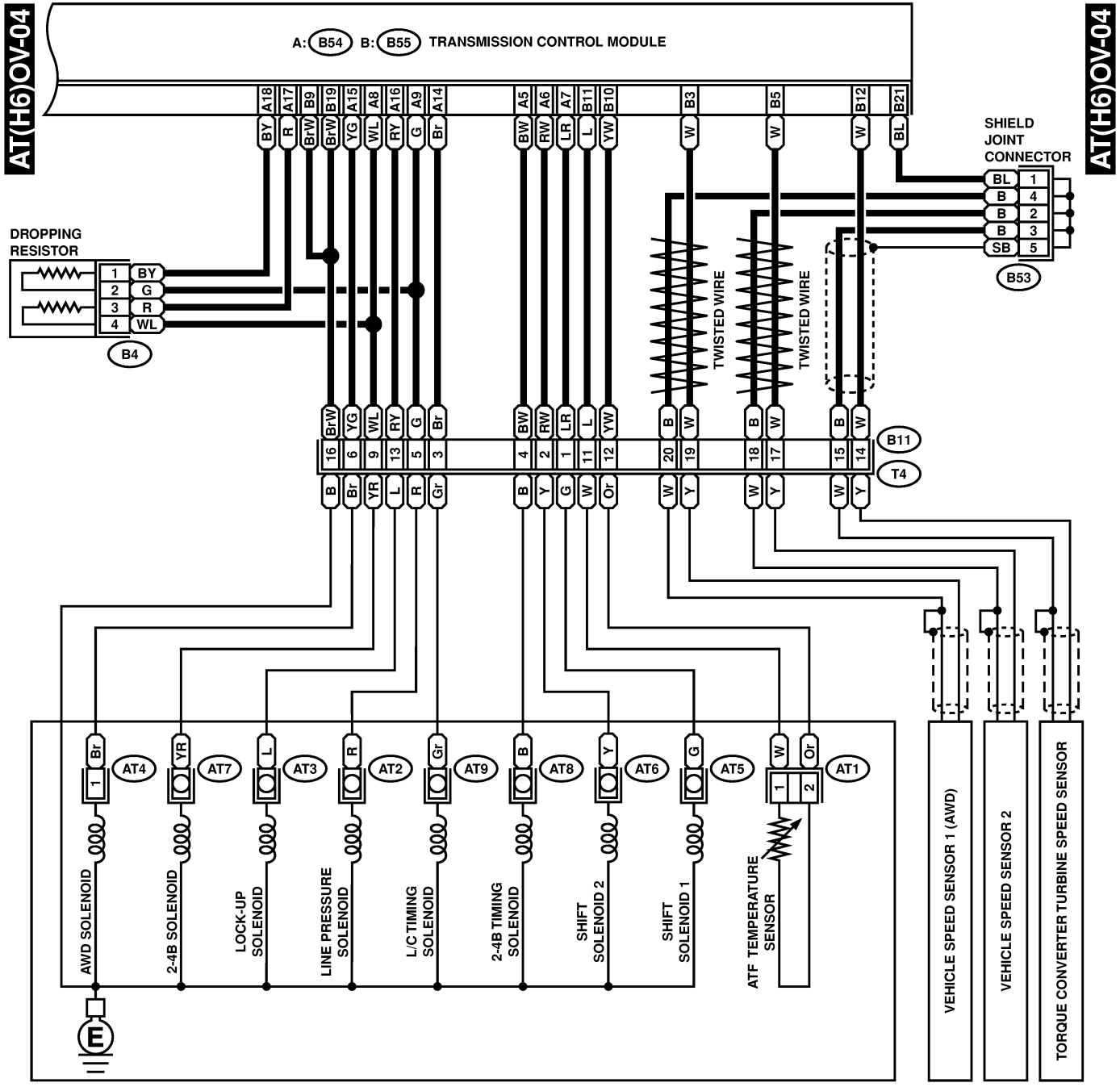
A/T CONTROL SYSTEM

Wiring System



A/T CONTROL SYSTEM

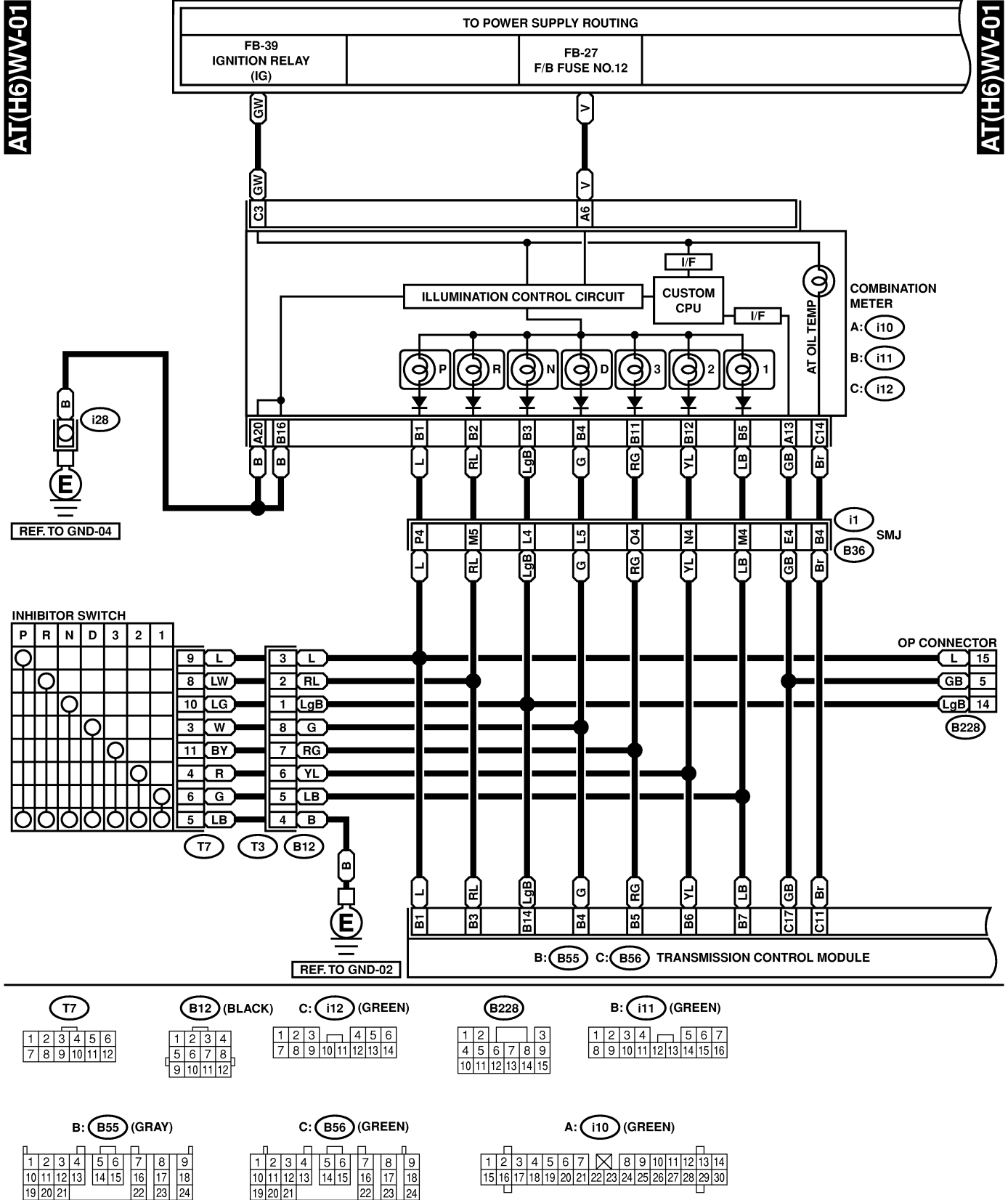
Wiring System



A/T CONTROL SYSTEM

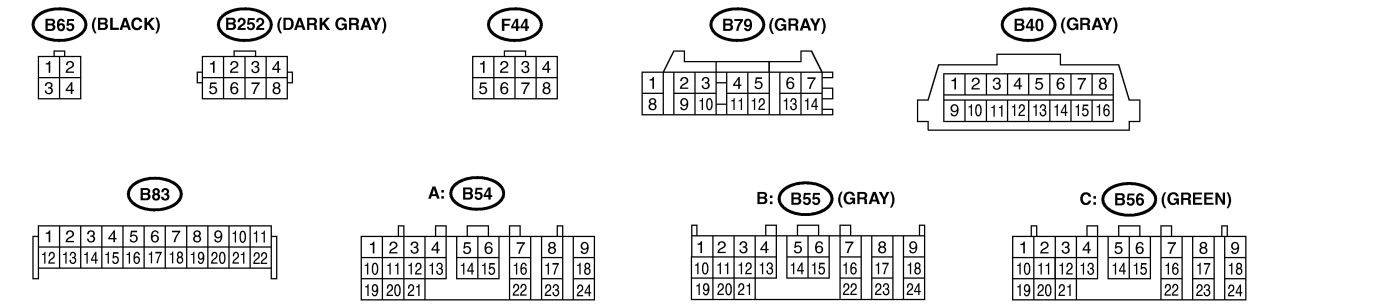
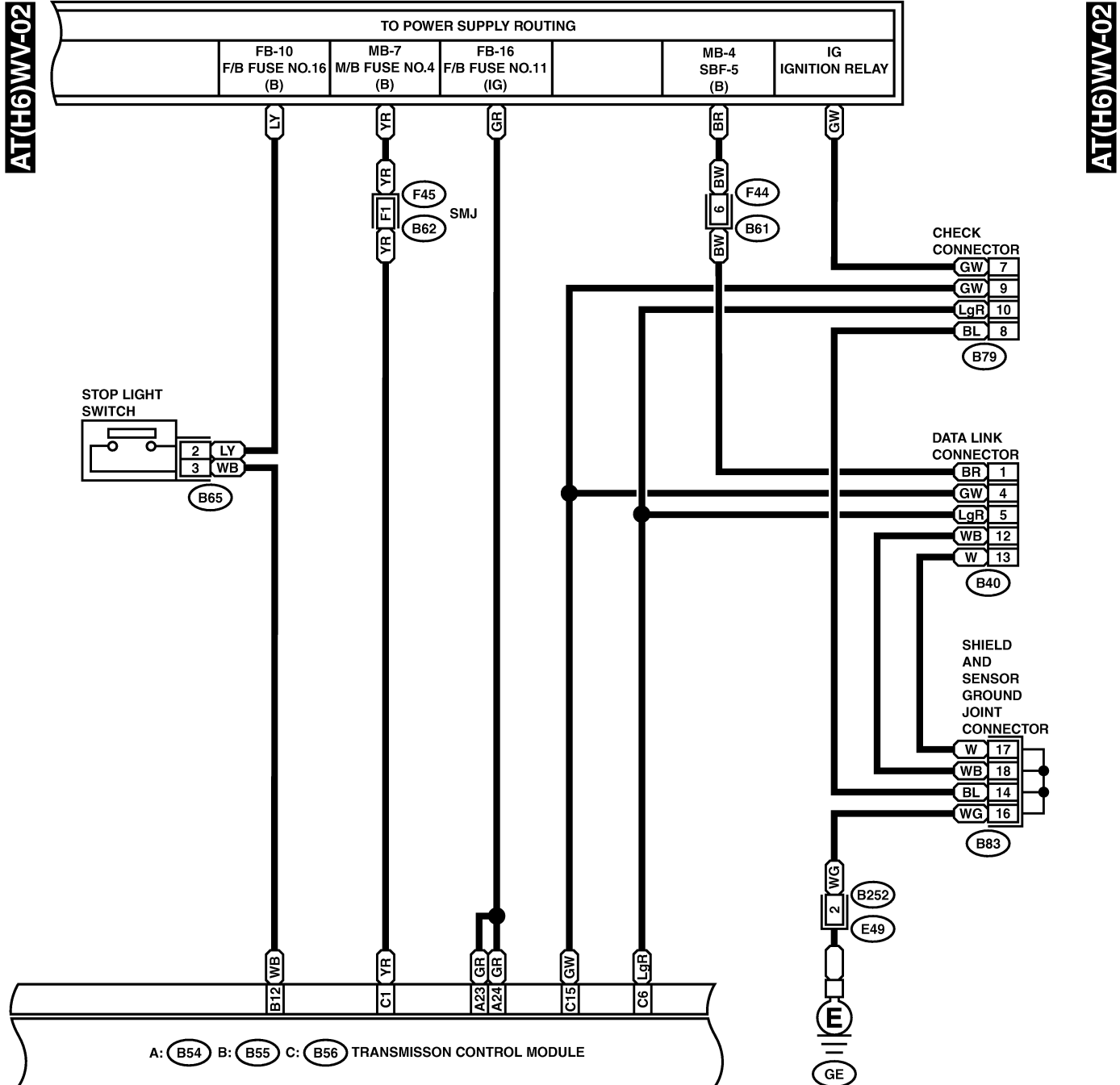
Wiring System

3. 6-CYLINDER ENGINE WITH VDC MODEL S903485A2105



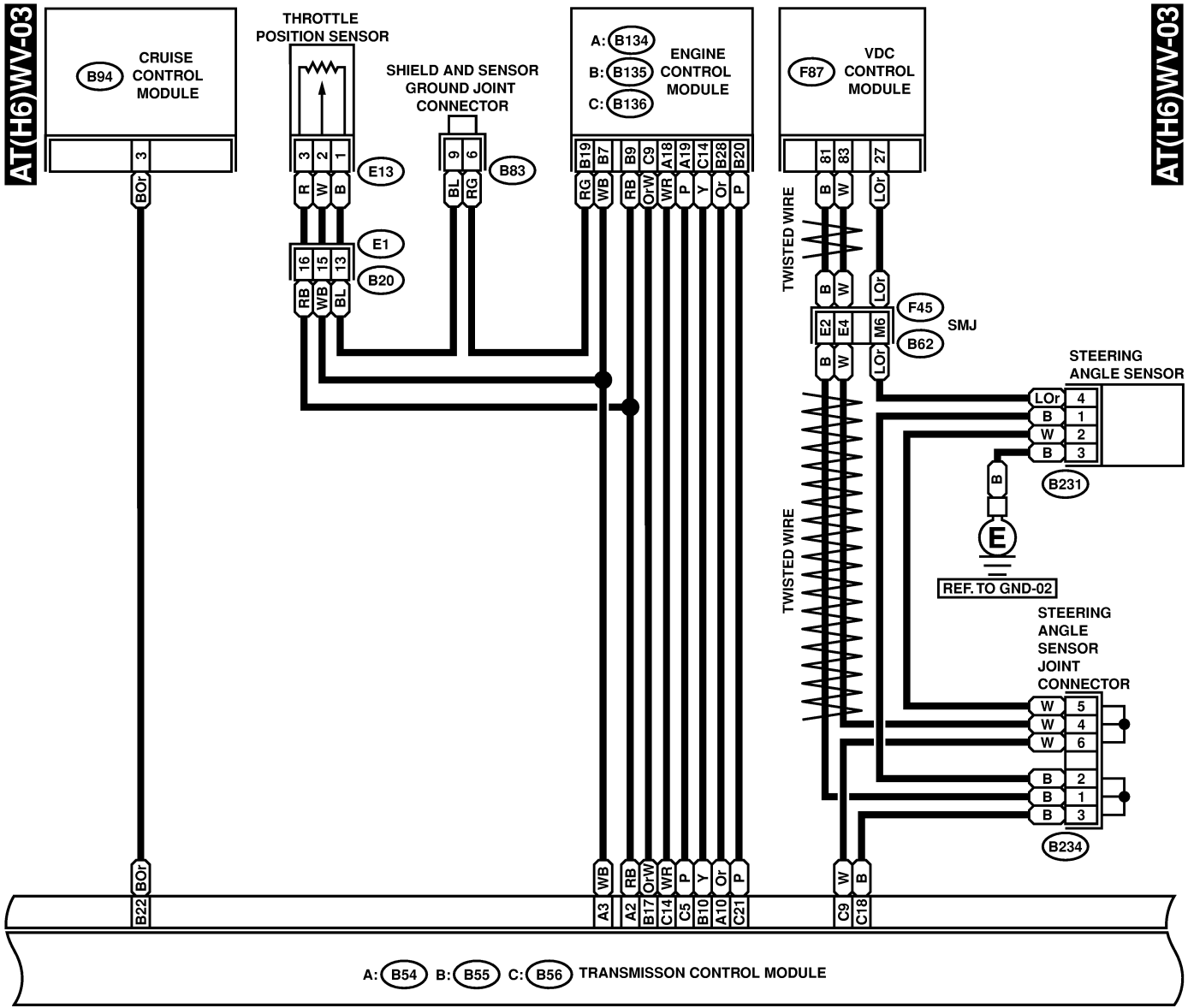
A/T CONTROL SYSTEM

Wiring System



A/T CONTROL SYSTEM

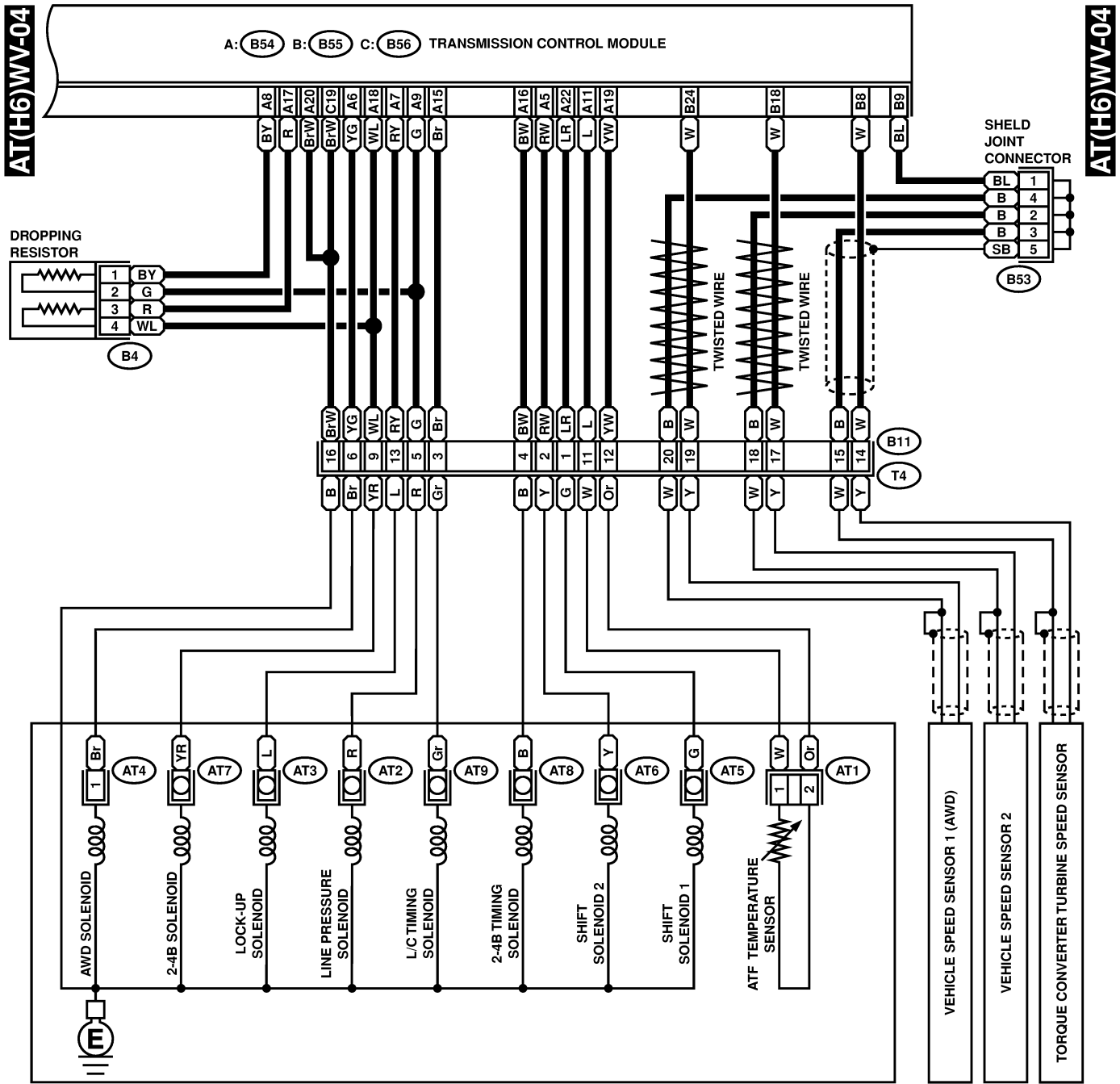
Wiring System



E13	B231 (BLACK)	B234	B20 (DARK GRAY)	B94 (BLACK)	B83	A: B134
1 2 3	1 2 3 4	1 2 3 4 5 6	1 2 3 4 5 6 7 8 9 10 11 12 13 14 15 16	1 2 3 4 5 6 7 8 9 10	1 2 3 4 5 6 7 8 9 10 11 12 13 14 15 16 17 18 19 20 21 22	1 2 3 4 5 6 7 8 9 10 11 12 13 14 15 16 17 18 19 20 21 22
C: B136	A: B54	B: B55 (GRAY)	C: B56 (GREEN)	B: B135		
1 2 3 4 5 6 7 8 9 10 11 12 13 14 15 16 17 18 19 20 21 22 23 24	1 2 3 4 5 6 7 8 9 10 11 12 13 14 15 16 17 18 19 20 21 22 23 24	1 2 3 4 5 6 7 8 9 10 11 12 13 14 15 16 17 18 19 20 21 22 23 24	1 2 3 4 5 6 7 8 9 10 11 12 13 14 15 16 17 18 19 20 21 22 23 24	1 2 3 4 5 6 7 8 9 10 11 12 13 14 15 16 17 18 19 20 21 22 23 24		
F87						
1 2 3 4 5 6 7 8 9 10 11 12 13 14 15 16 17 18 19 20 21 22 23 24 25 26 27 28						
29 30 31 32 33 34 35 36 37 38 39 40 41 42 43 44 45 46 47 48 49 50 51 52 53 54 55						
56 57 58 59 60 61 62 63 64 65 66 67 68 69 70 71 72 73 74 75 76 77 78 79 80 81 82 83						

A/T CONTROL SYSTEM

Wiring System



AT4 (BROWN)



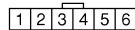
AT1 (GRAY)



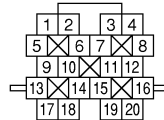
B4 (GRAY)



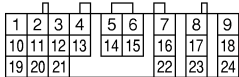
B53 (GRAY)



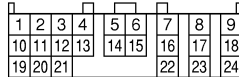
B11 (BLACK)



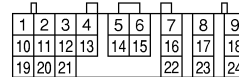
A: B54



B: B55 (GRAY)

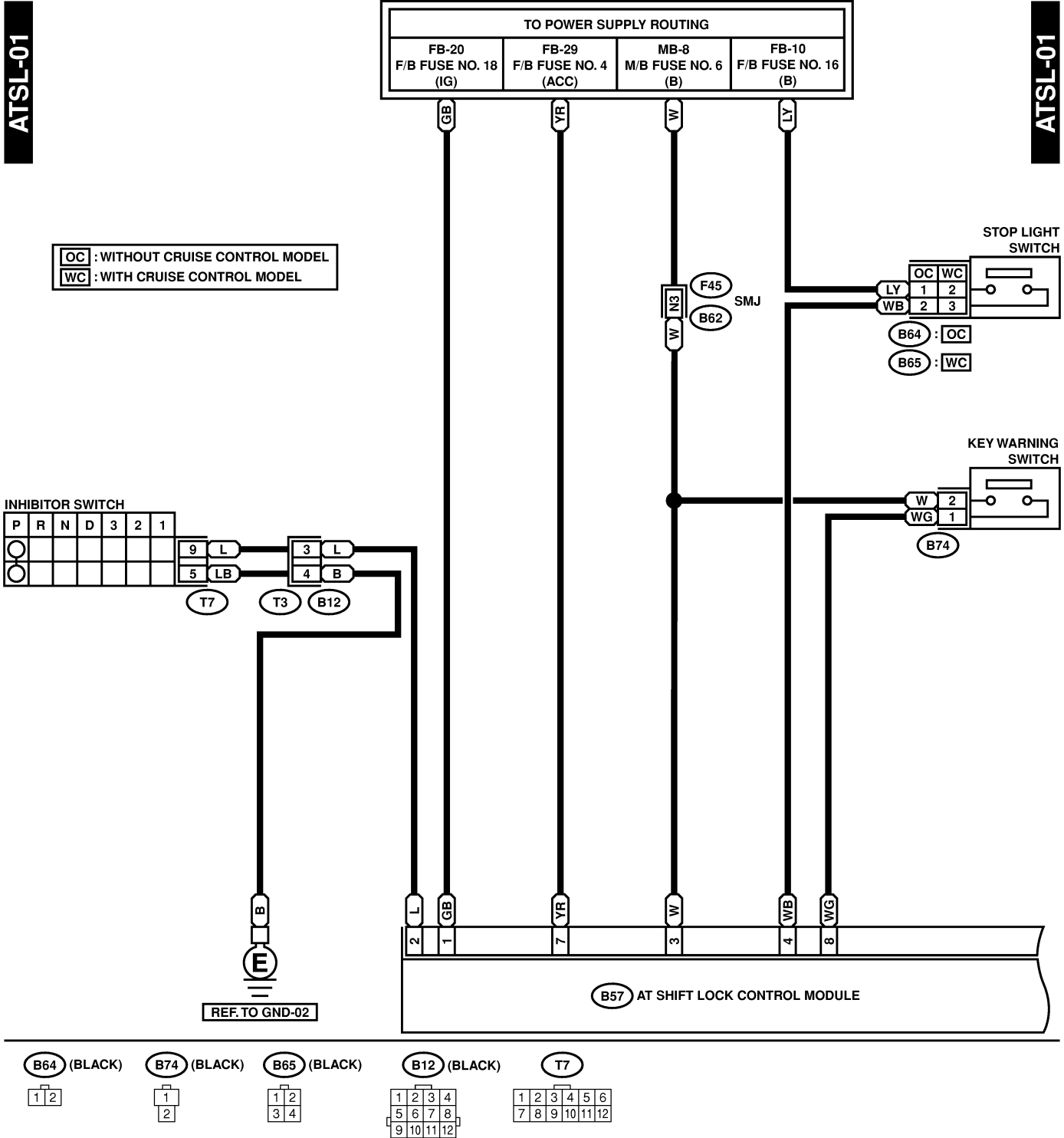


C: B56 (GREEN)



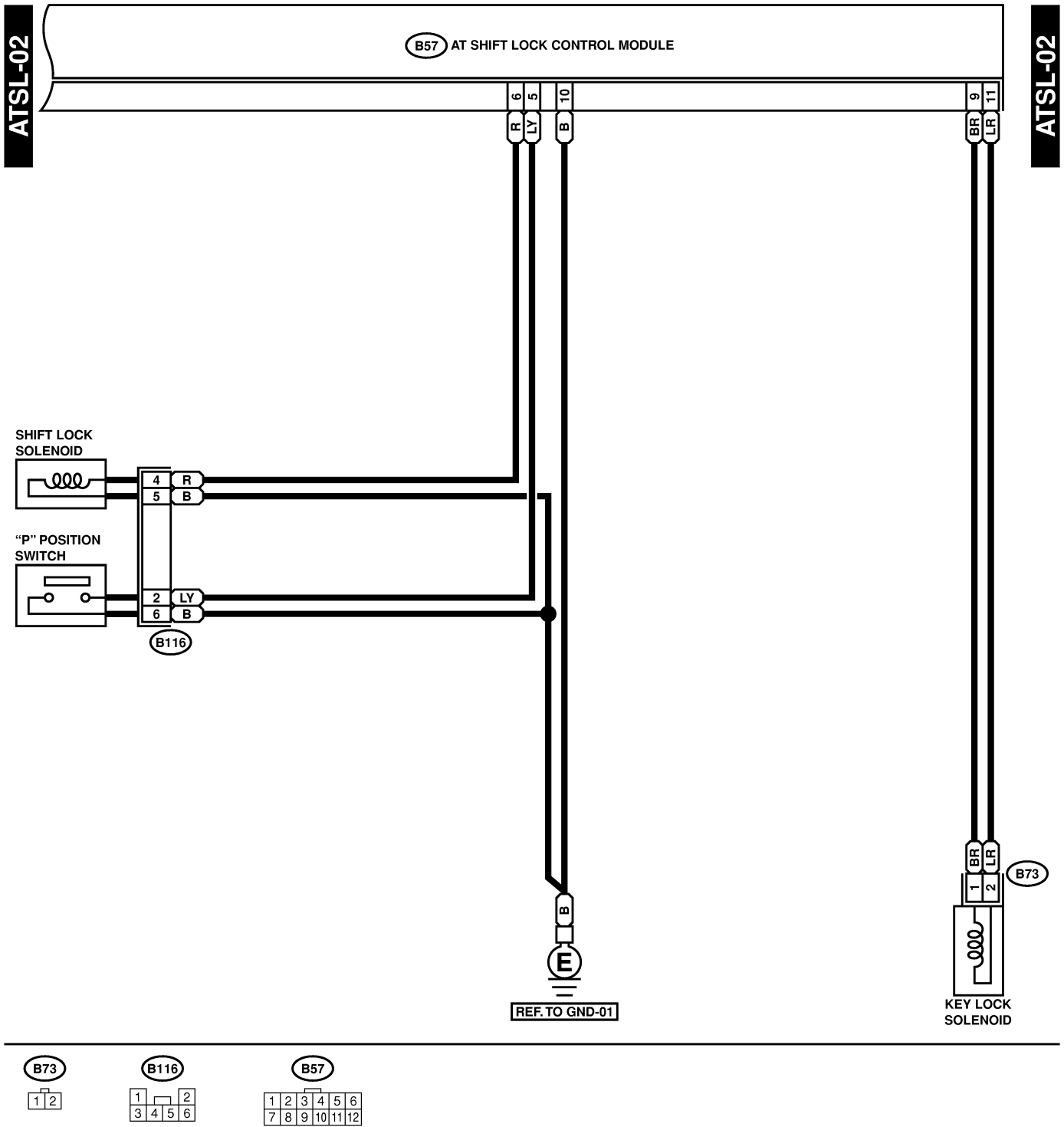
10. A/T Shift Lock Control System S903662

A: SCHEMATIC S903662A21



A/T SHIFT LOCK CONTROL SYSTEM

Wiring System



11. Audio System S903486

A: SCHEMATIC S903486A21

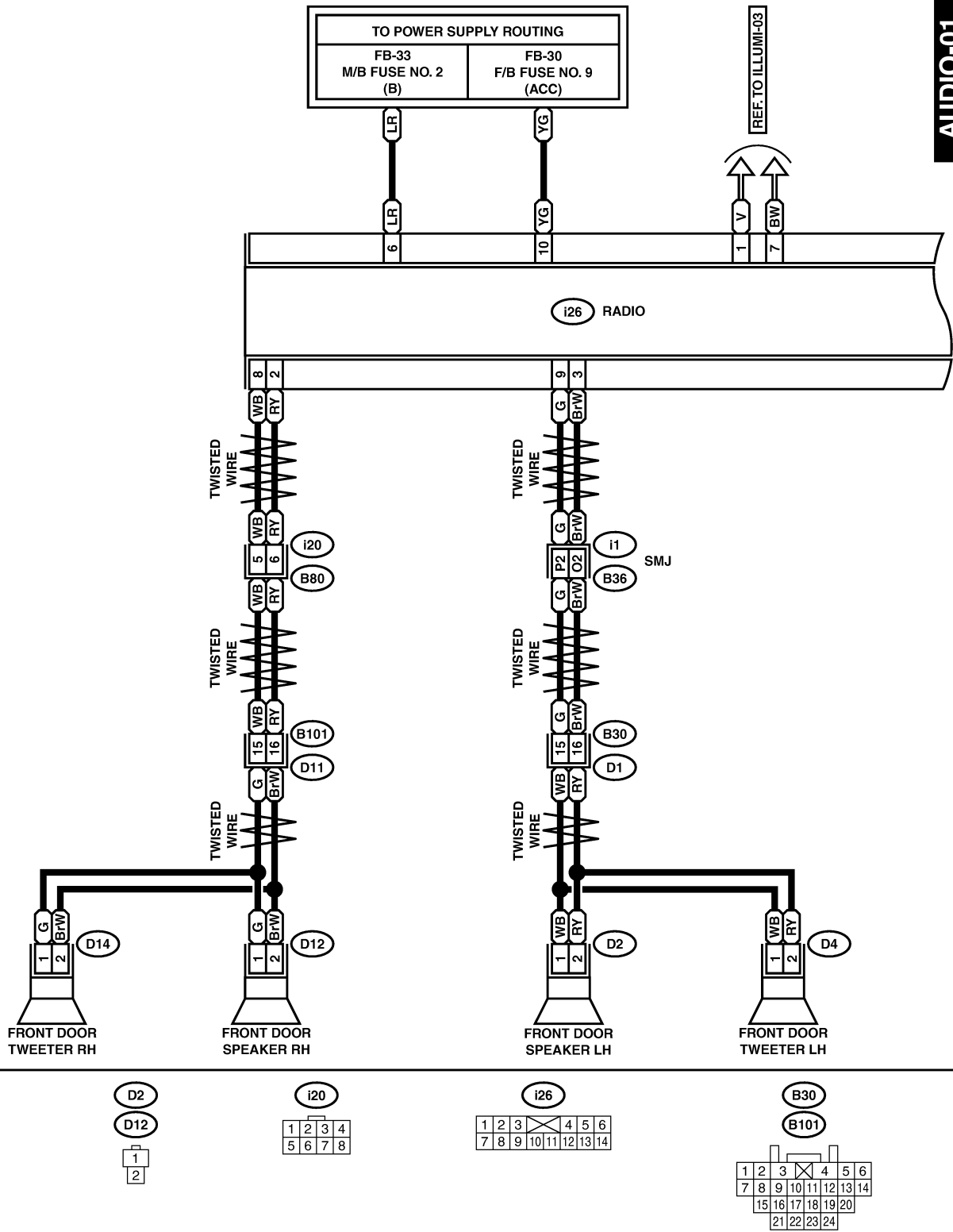
AUDIO SYSTEM

Wiring System

1. EXCEPT MCINTOSH AUDIO MODEL S903486A2103

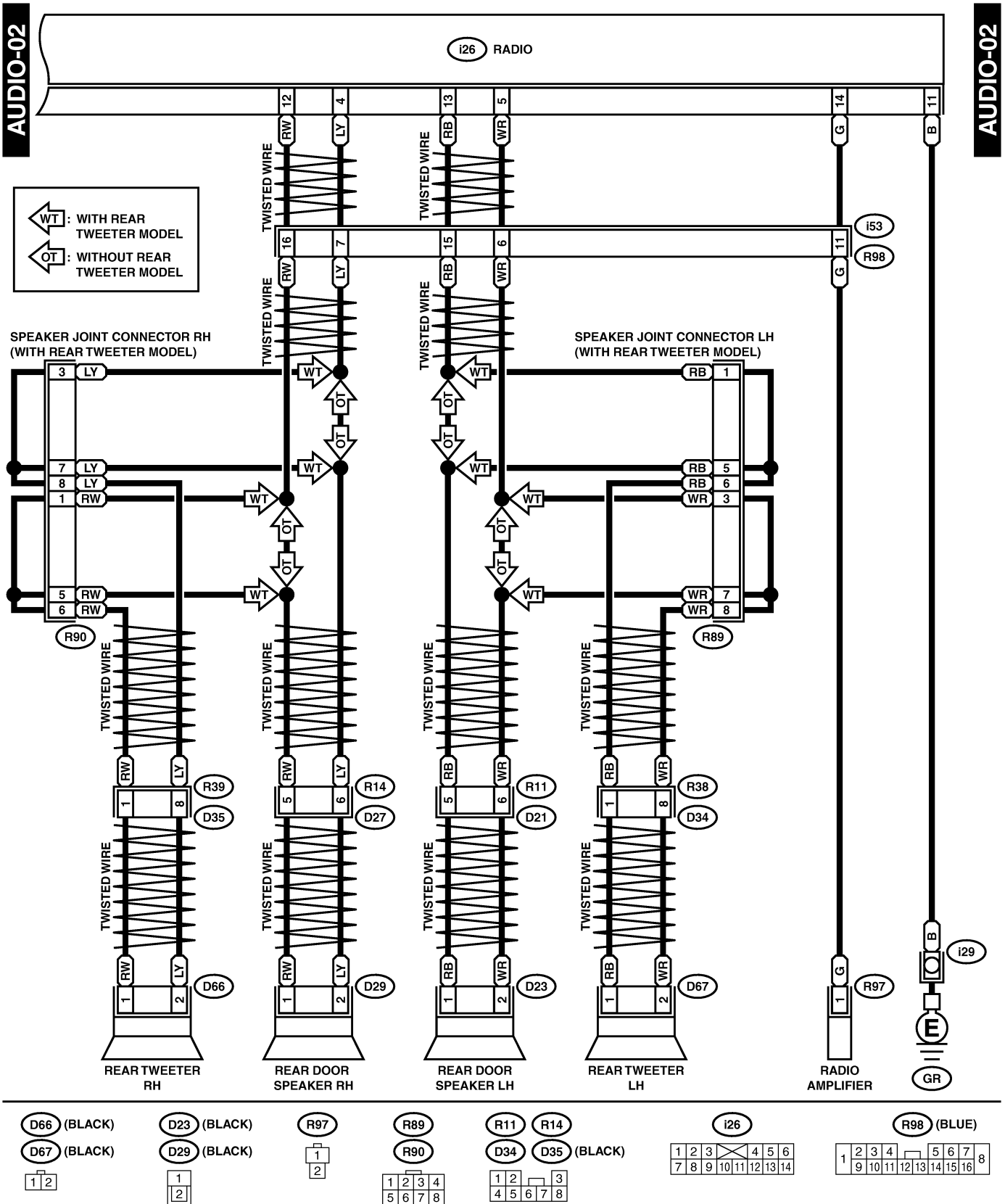
AUDIO-01

AUDIO-01



AUDIO SYSTEM

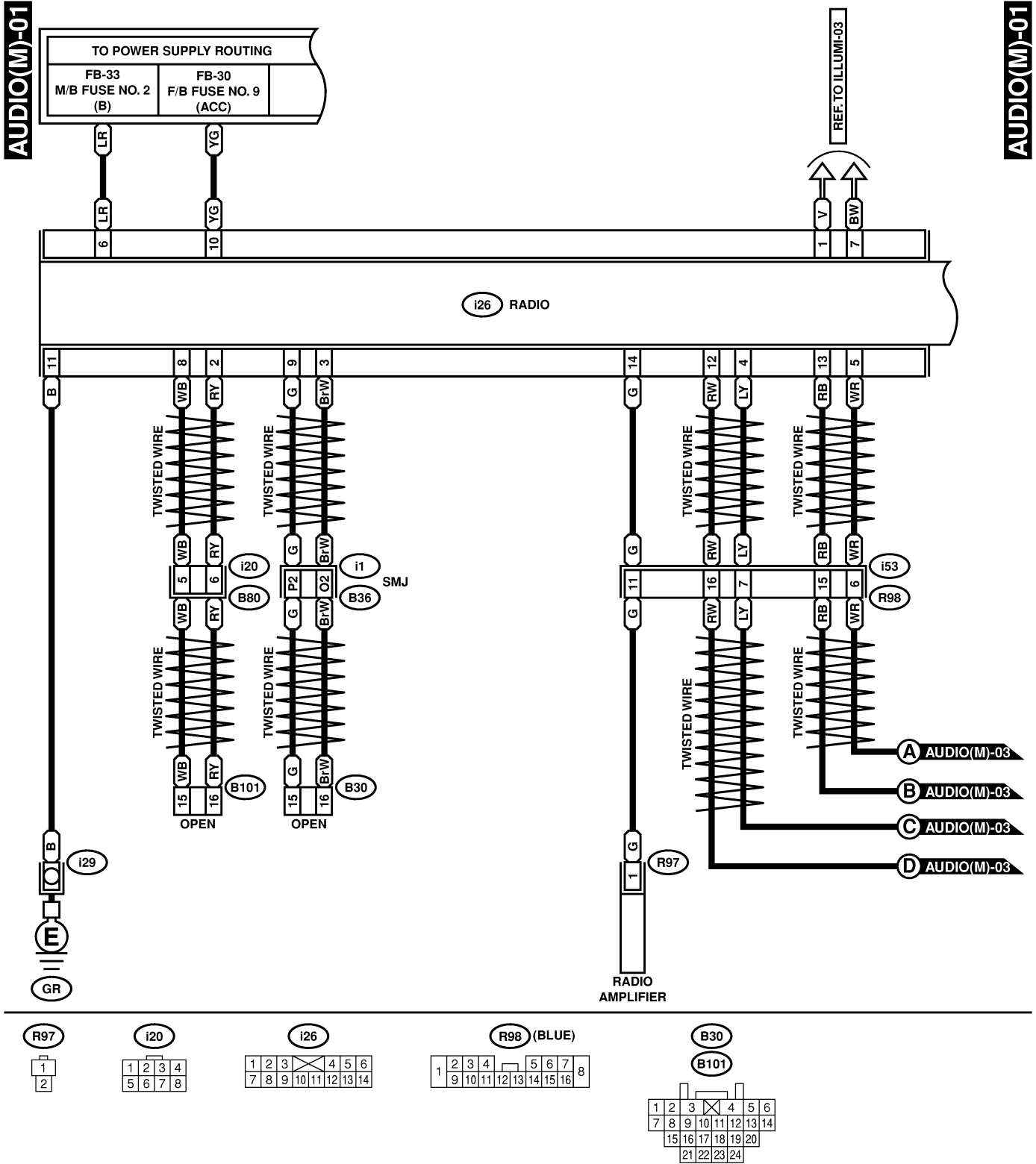
Wiring System



AUDIO SYSTEM

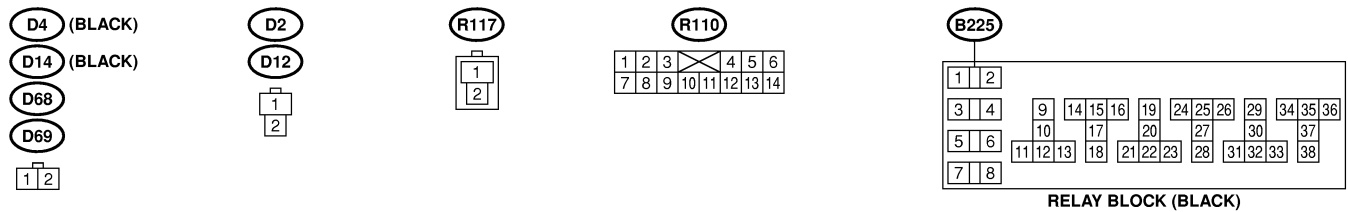
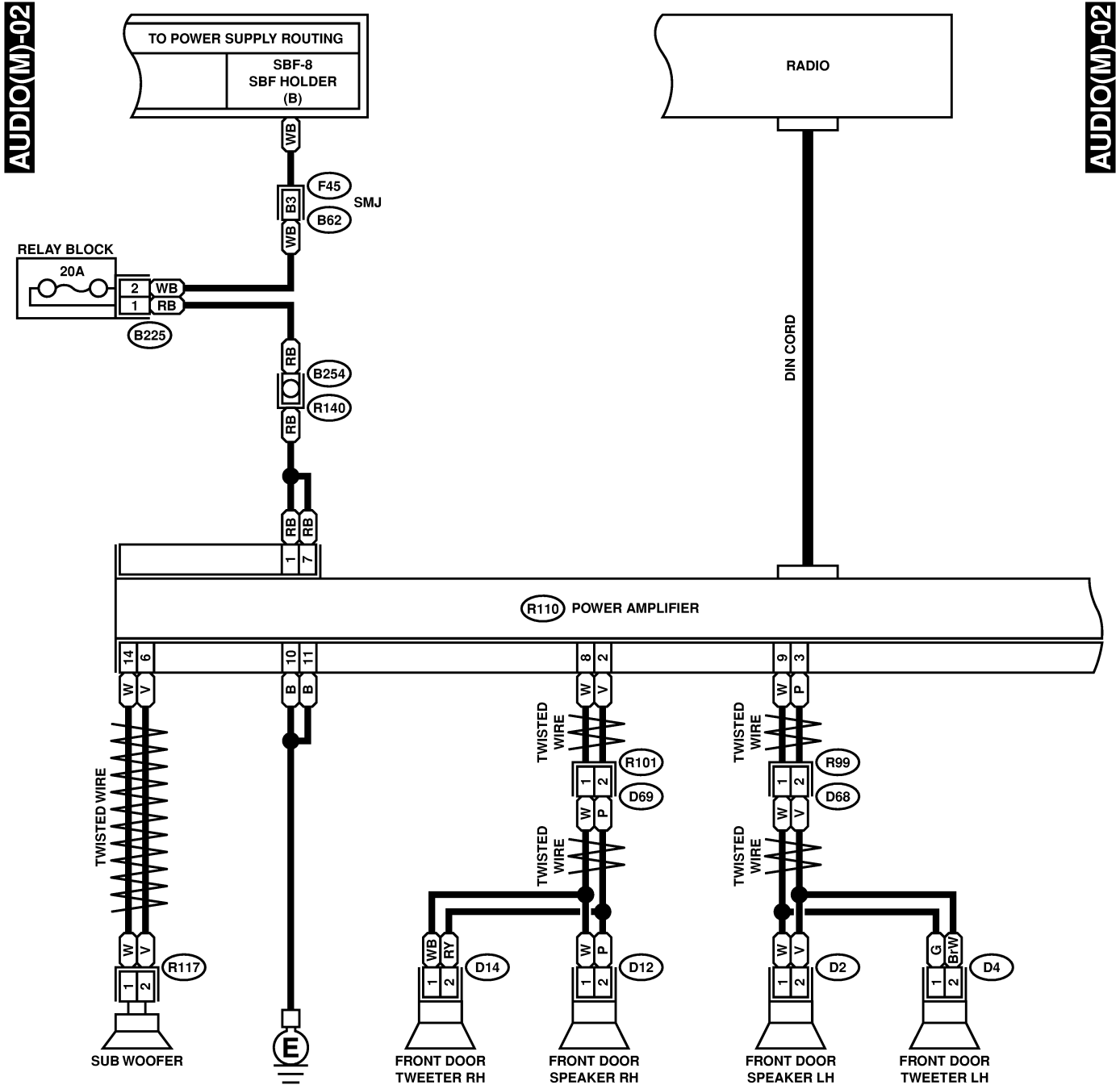
Wiring System

2. MCINTOSH AUDIO MODEL S903486A2104



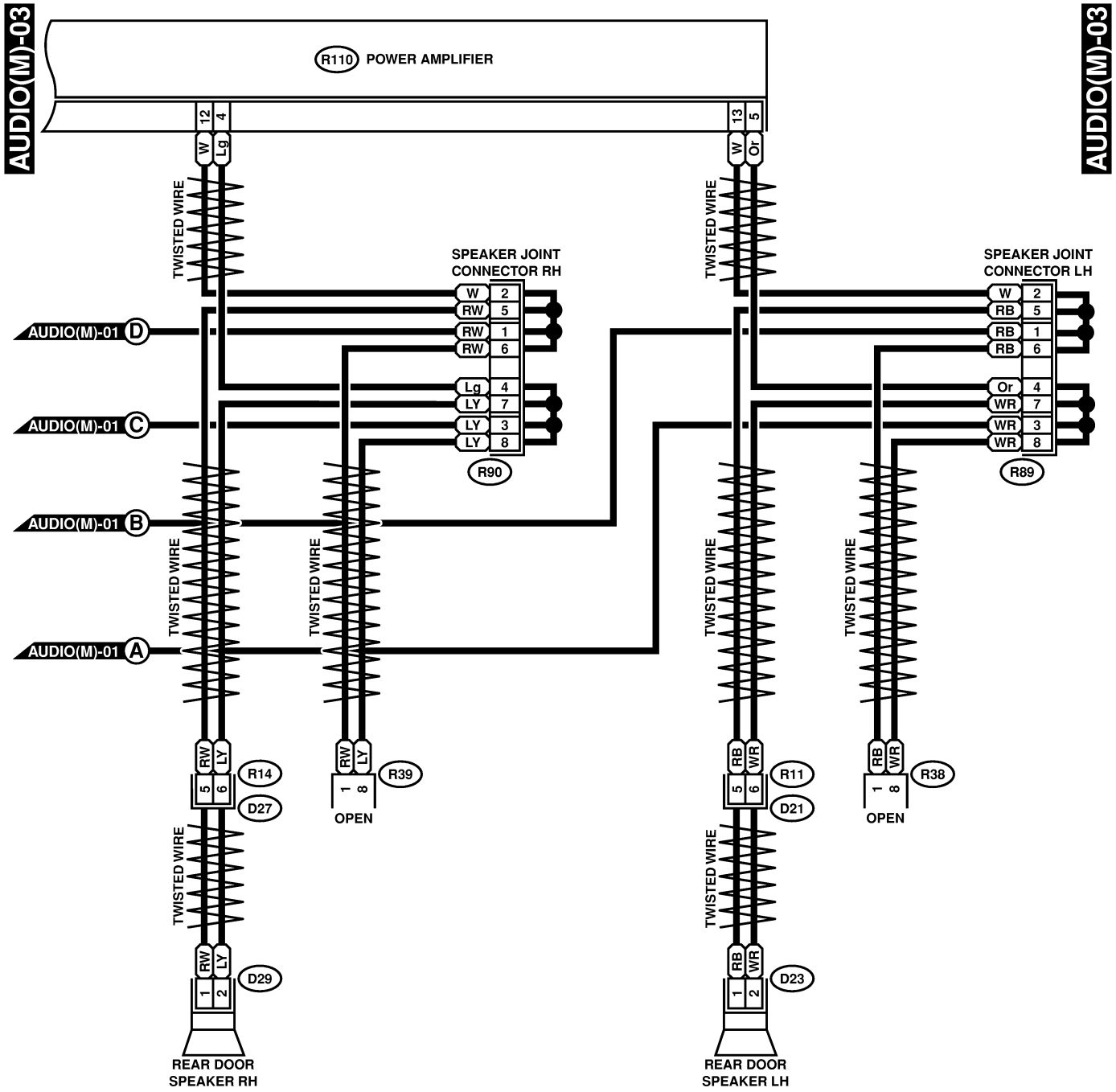
AUDIO SYSTEM

Wiring System



AUDIO SYSTEM

Wiring System



D23 (BLACK)

R89

R11

R38

R110

D29 (BLACK)

R90

R14

R39

1	2	3	4	5	6
7	8	9	10	11	12
13	14				

1
2

1	2	3	4
5	6	7	8

1	2	3
4	5	6
7	8	

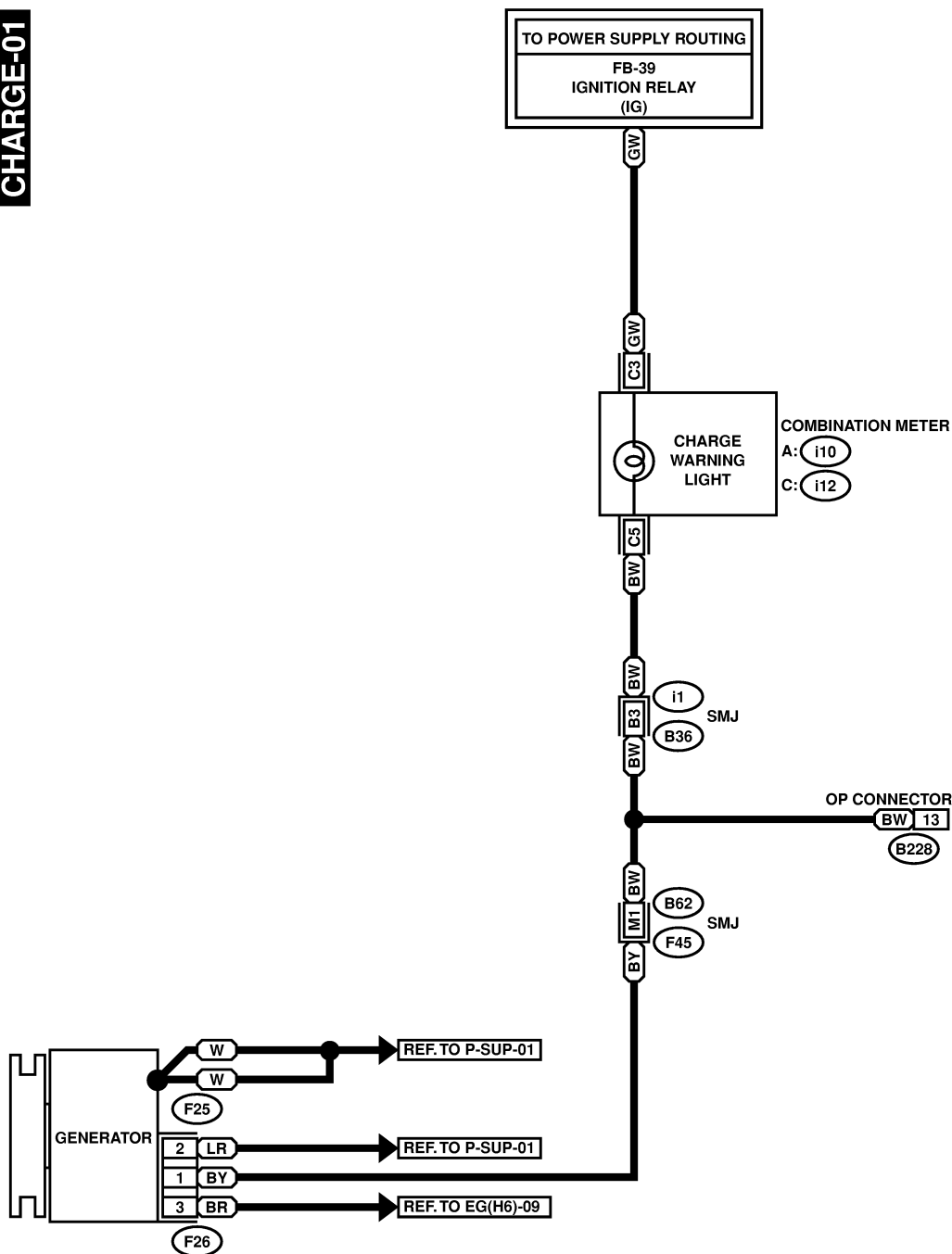
3	2	1
8	7	6
5	4	

12. Charging System S903487

A: SCHEMATIC S903487A21

CHARGE-01

CHARGE-01



F26 (GREEN)

1	2	3
---	---	---

C: i12 (GREEN)

1	2	3	4	5	6
7	8	9	10	11	12
13	14	15	16	17	18

B228

1	2	3
4	5	6
7	8	9
10	11	12
13	14	15

A: i10 (GREEN)

1	2	3	4	5	6	7	8	9	10	11	12	13	14
15	16	17	18	19	20	21	22	23	24	25	26	27	28
29	30	31	32	33	34	35	36	37	38	39	40	41	42

COMBINATION METER

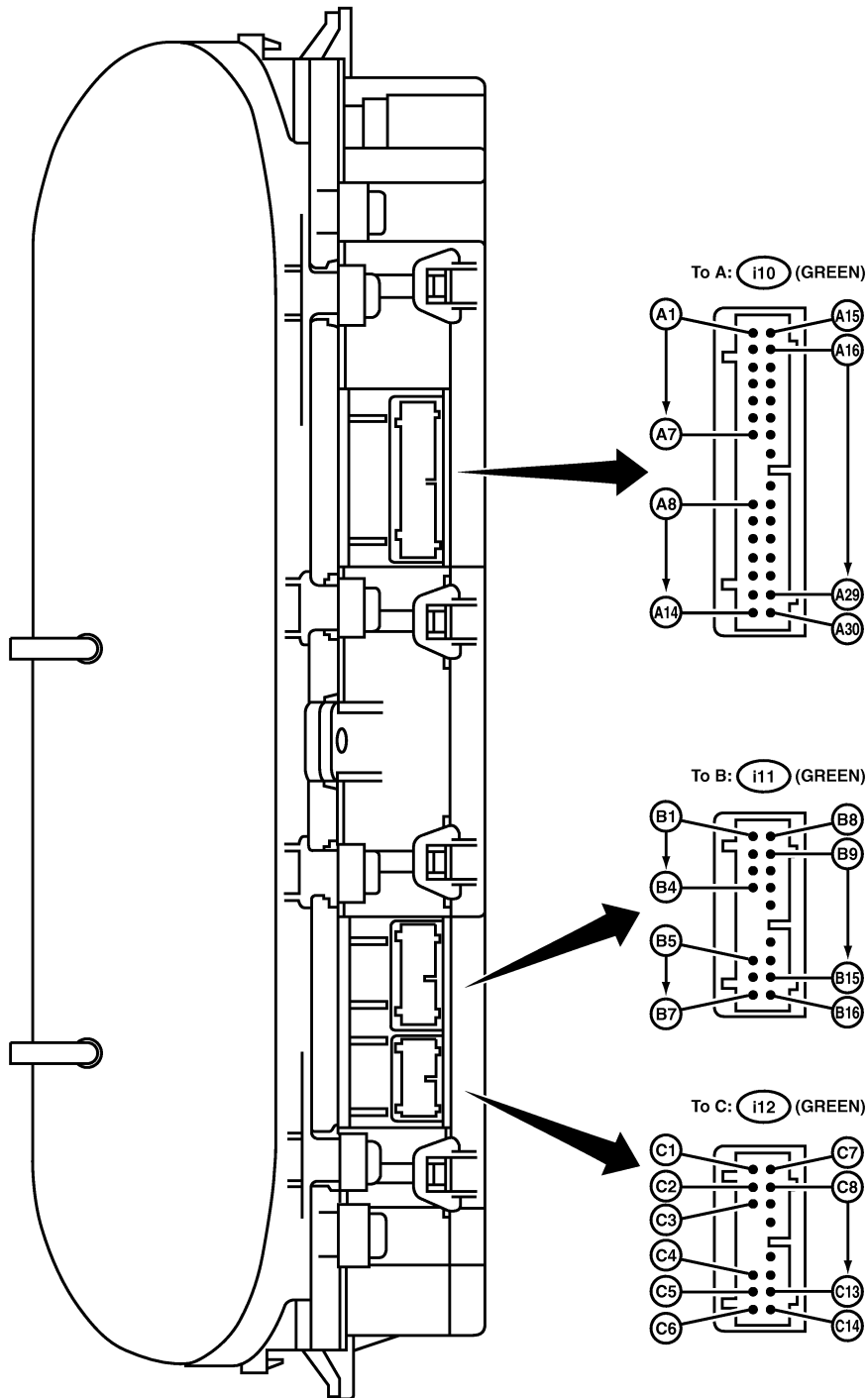
Wiring System

13. Combination Meter S903488

A: SCHEMATIC S903488A21

METER-01

METER-01

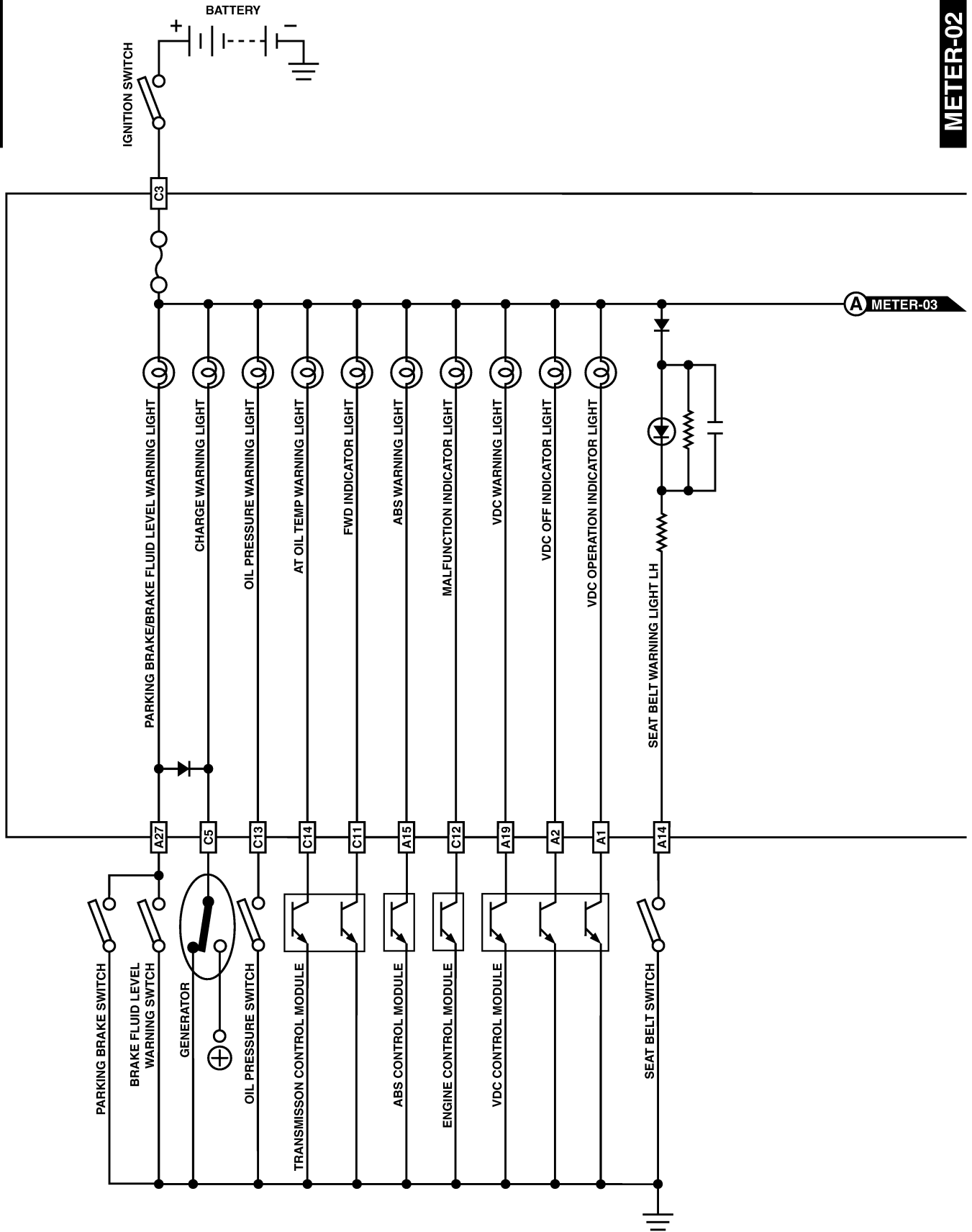


COMBINATION METER

Wiring System

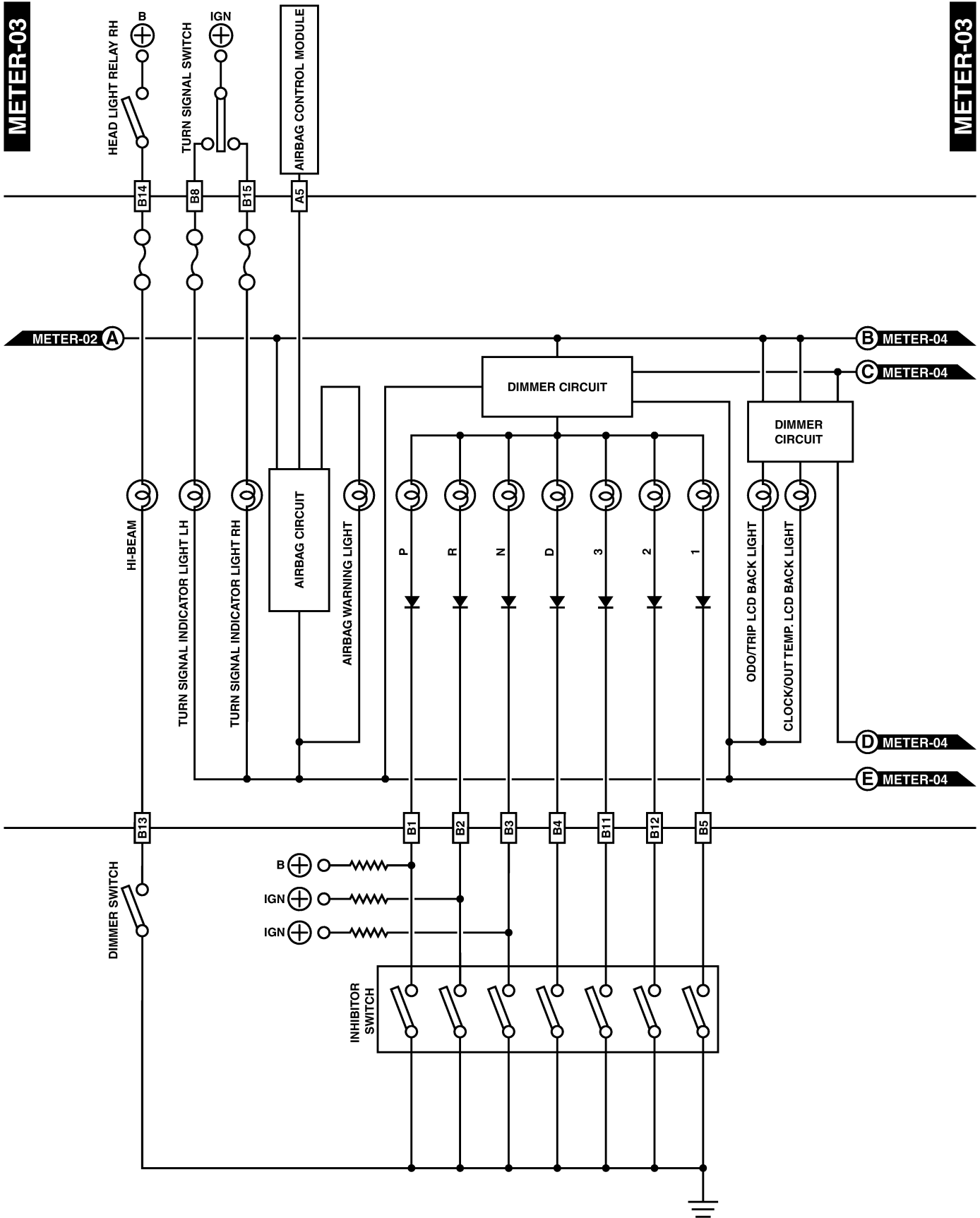
METER-02

METER-02



COMBINATION METER

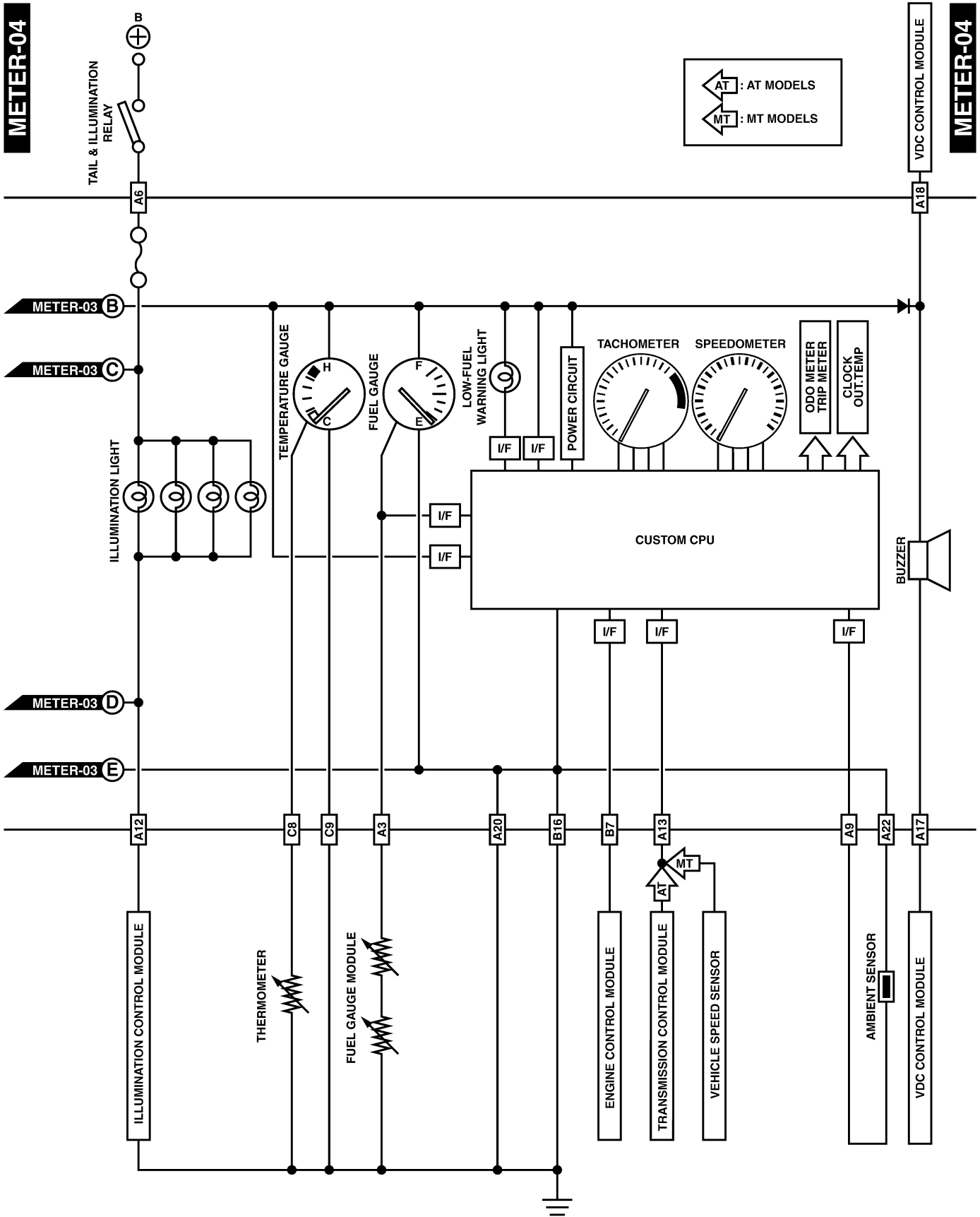
Wiring System



BU64-21C

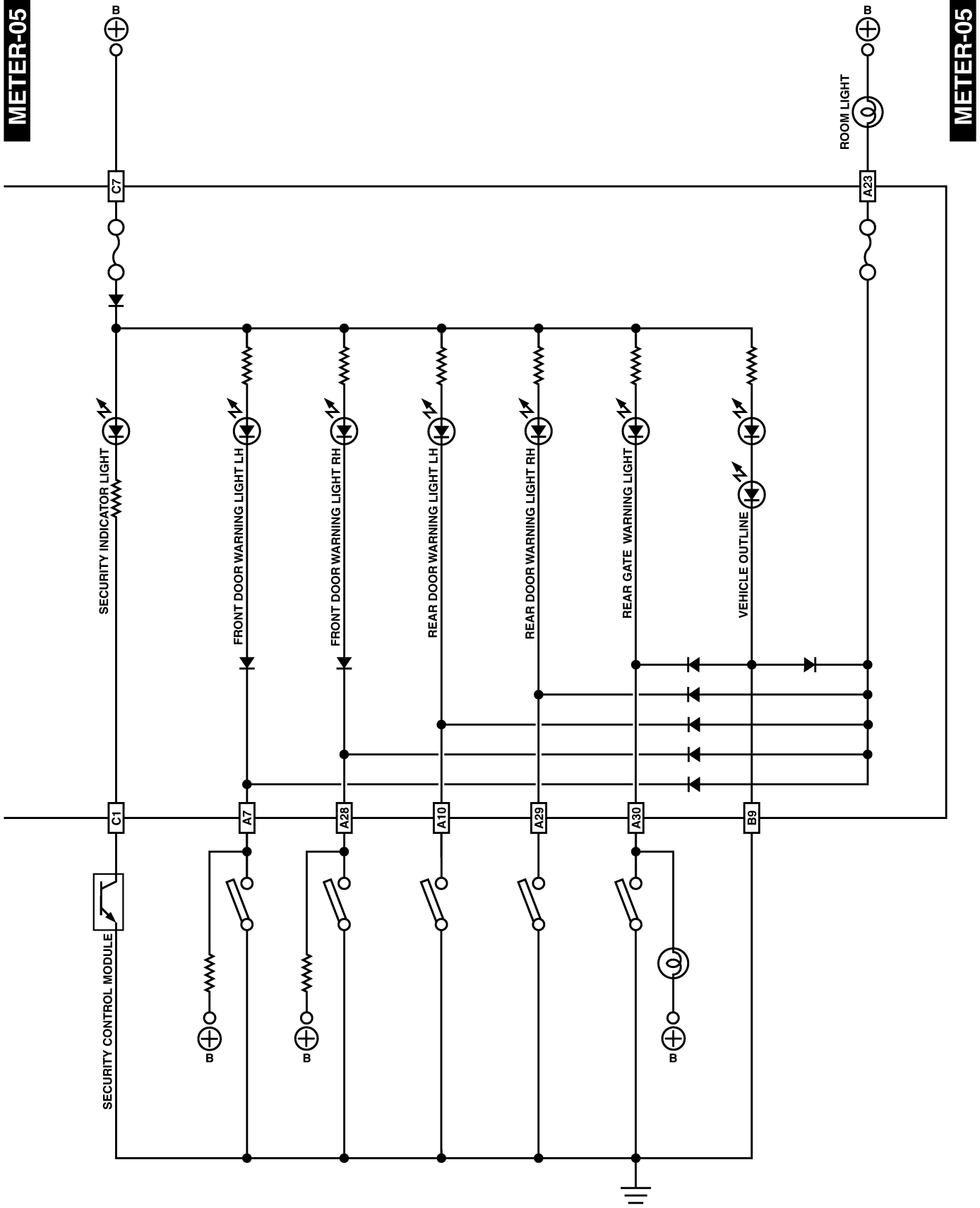
COMBINATION METER

Wiring System



COMBINATION METER

Wiring System



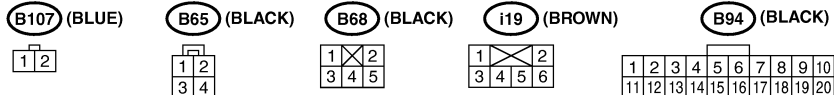
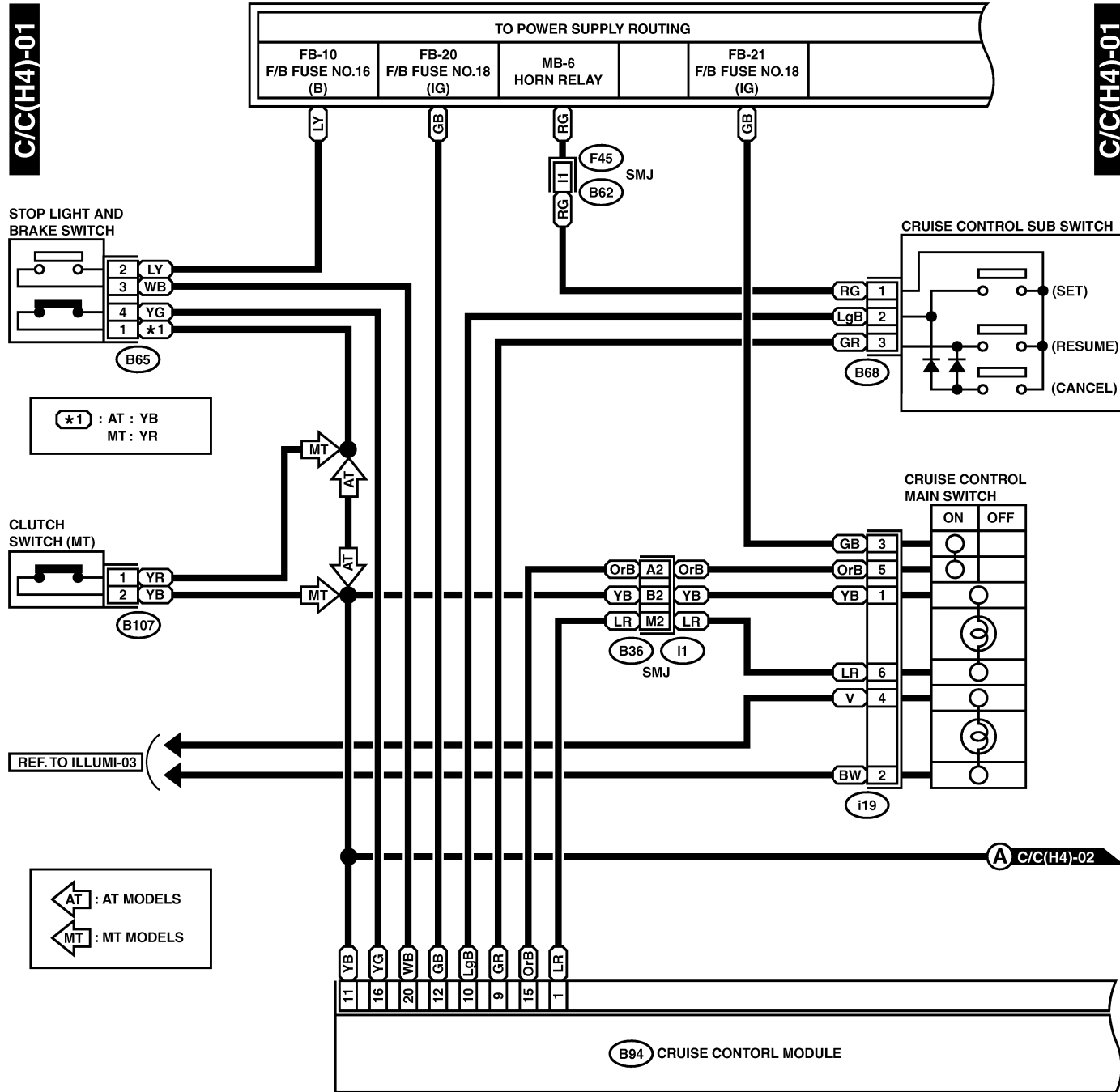
14. Cruise Control System S903495

A: SCHEMATIC S903495A21

CRUISE CONTROL SYSTEM

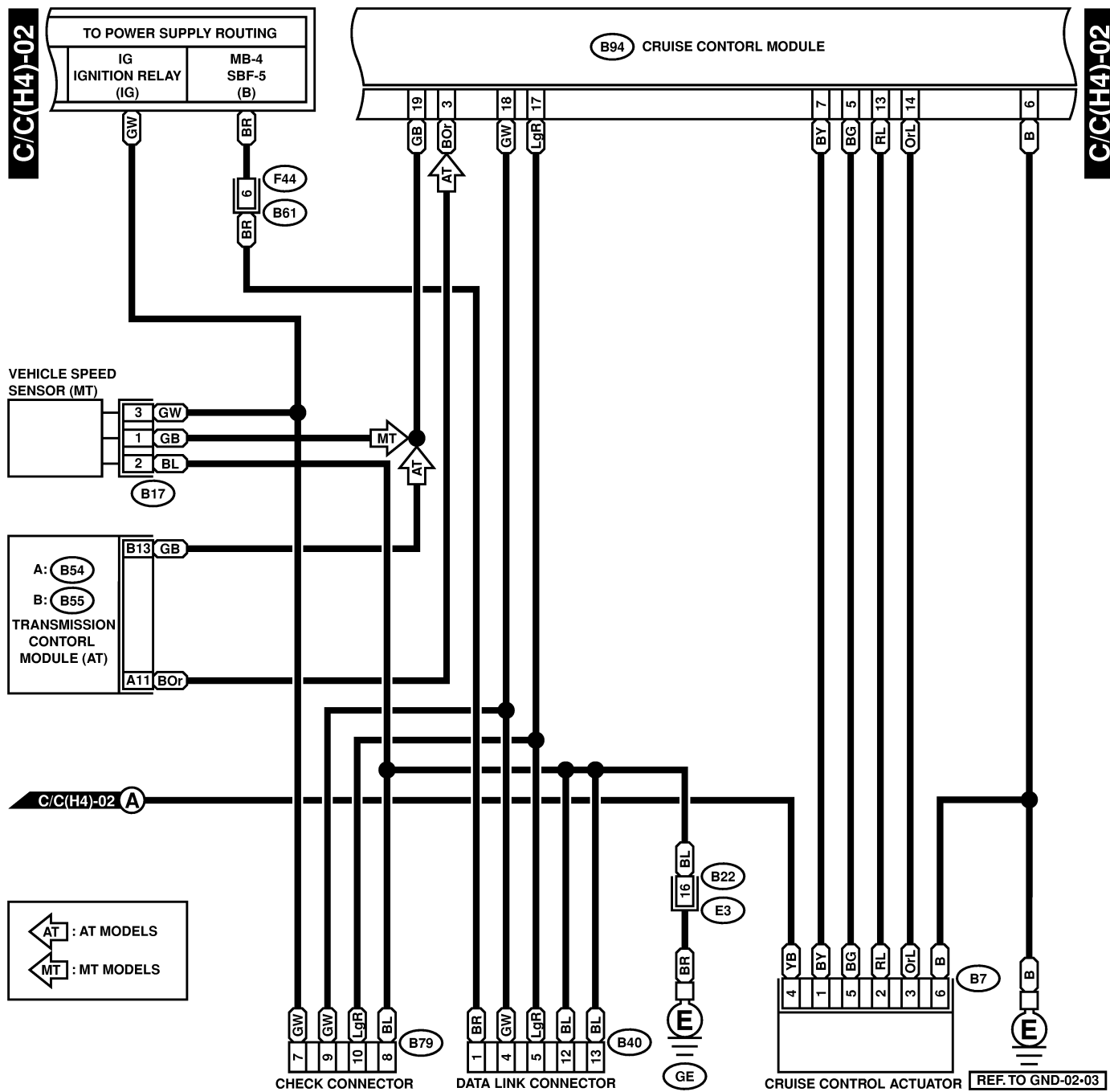
Wiring System

1. 4-CYLINDER ENGINE MODEL S903495A2103



CRUISE CONTROL SYSTEM

Wiring System



B17 (BLACK)



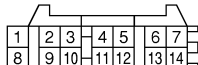
B7 (BLACK)



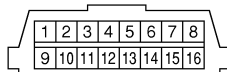
F44



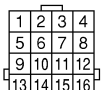
B79 (GRAY)



B40 (GRAY)



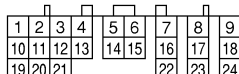
B22 (BROWN)



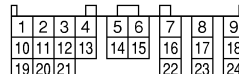
B94 (BLACK)



A: B54

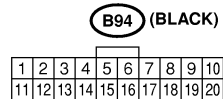
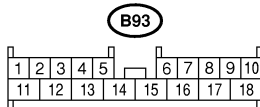
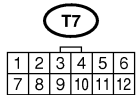
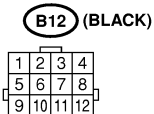
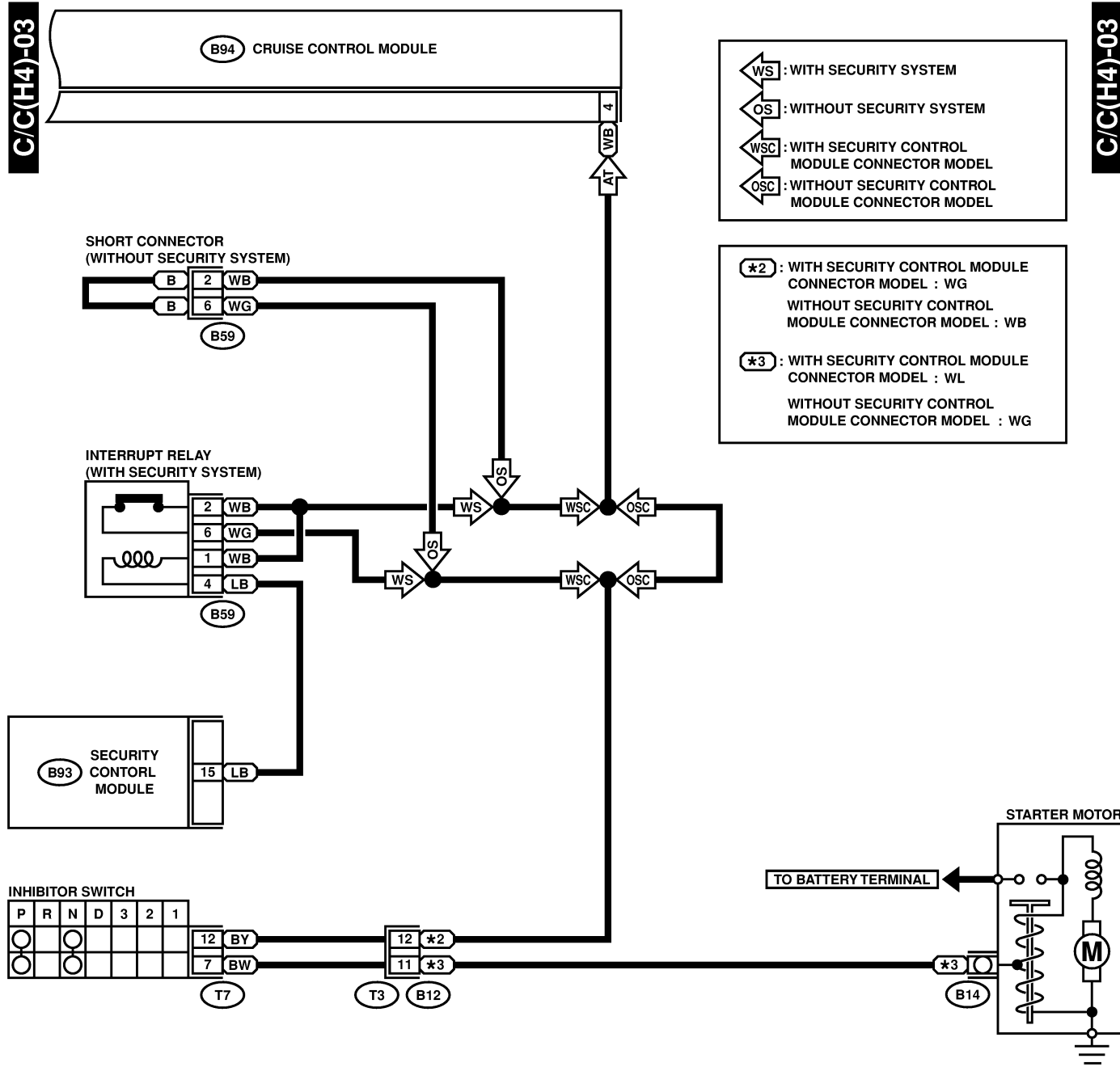


B: B55 (GRAY)



CRUISE CONTROL SYSTEM

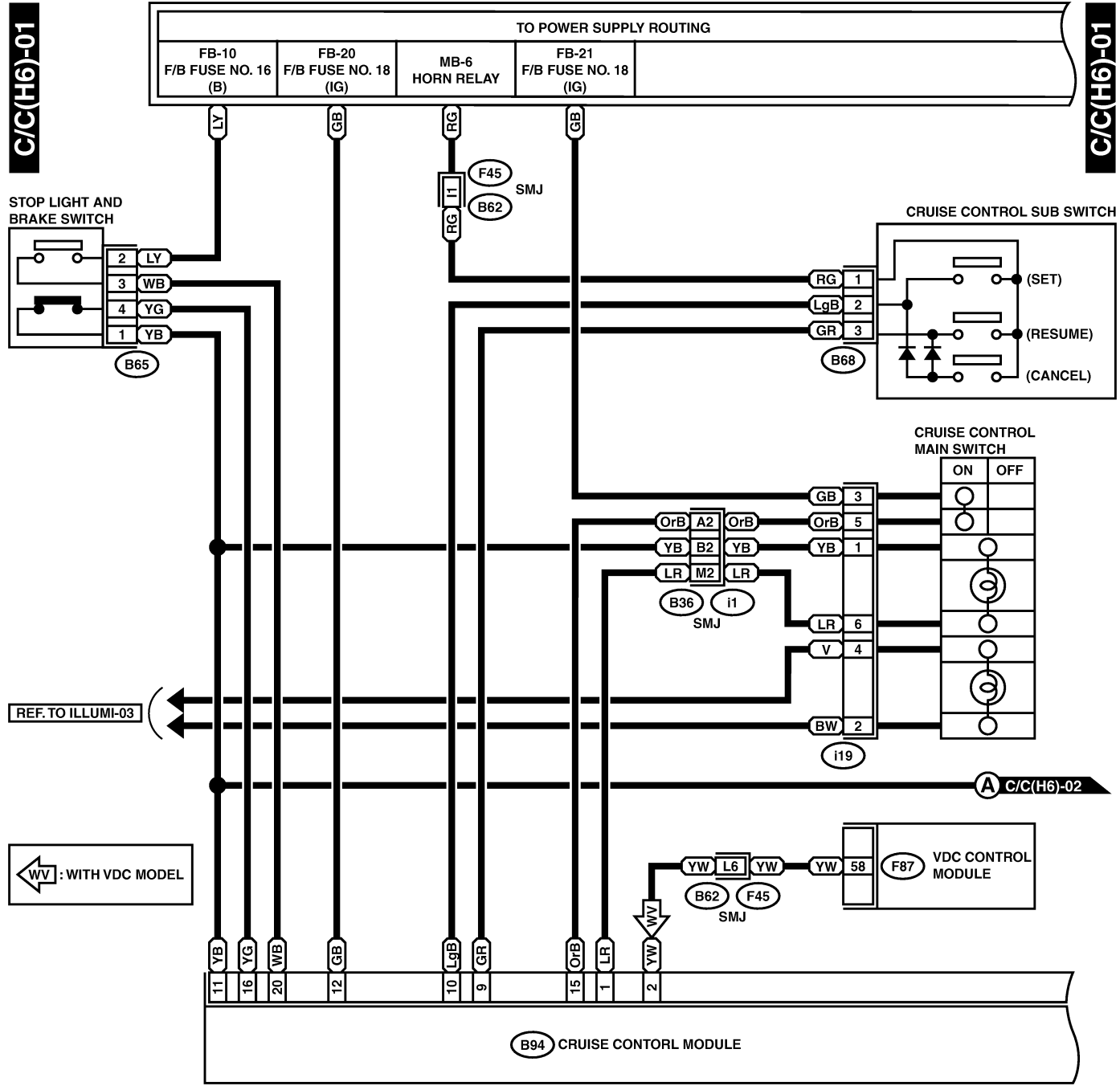
Wiring System



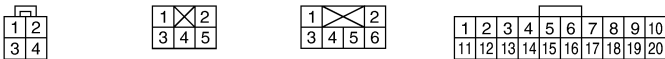
CRUISE CONTROL SYSTEM

Wiring System

2. 6-CYLINDER ENGINE MODEL S903495A2104



(B65) (BLACK) (B68) (BLACK) (i19) (BROWN) (B94) (BLACK)

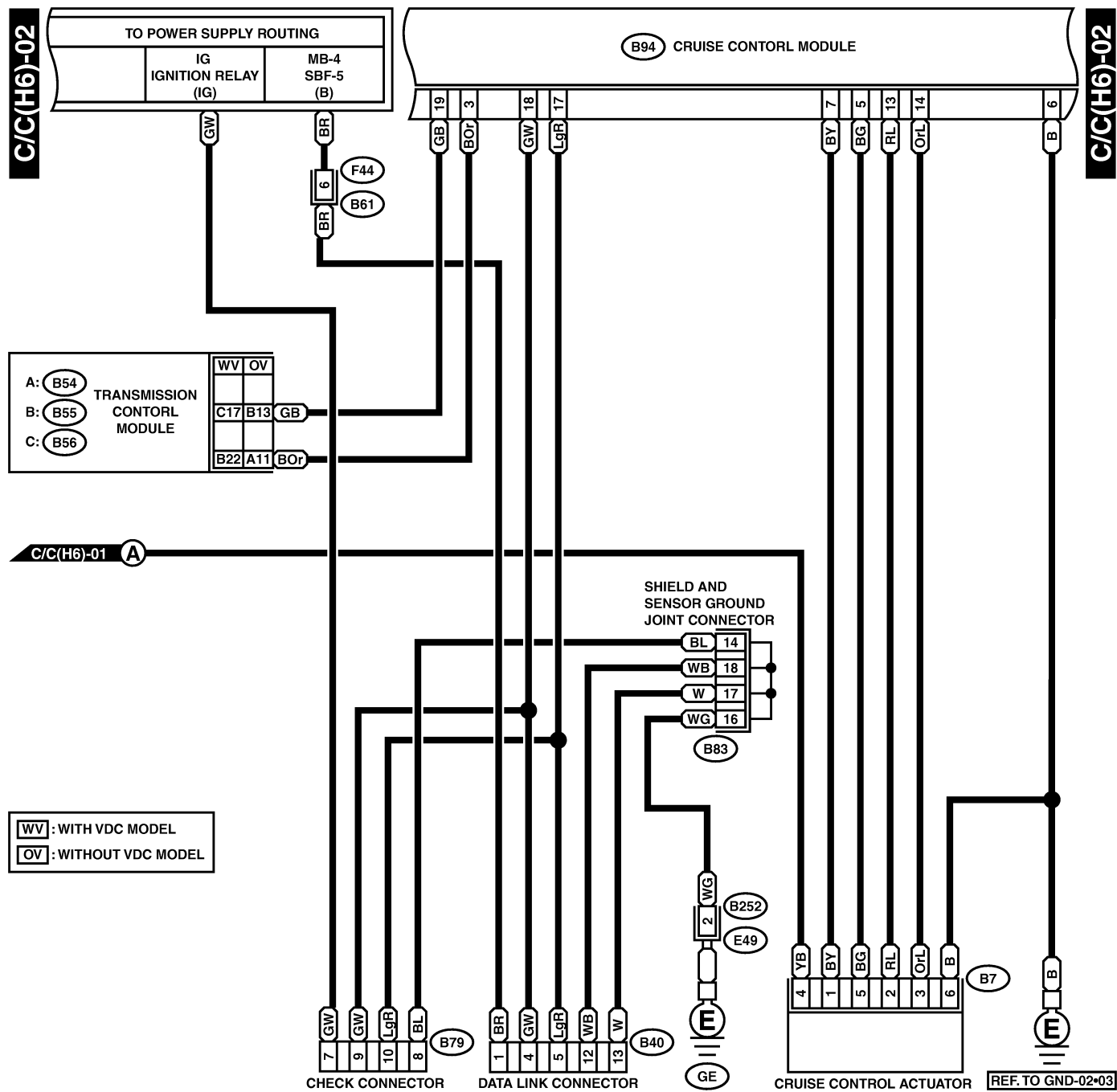


(F87) (BLACK)

1	2	3	4	5	6	7	8	9	10	11	12	13	14	15	16	17	18	19	20	21	22	23	24	25	26	27	28
29	30	31	32	33	34	35	36	37	38	39	40	41	42	43	44	45	46	47	48	49	50	51	52	53	54	55	
56	57	58	59	60	61	62	63	64	65	66	67	68	69	70	71	72	73	74	75	76	77	78	79	80	81	82	83

CRUISE CONTROL SYSTEM

Wiring System



B7 (BLACK)



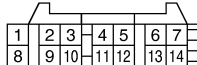
F44



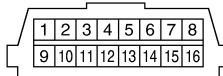
B252 (DARK GRAY)



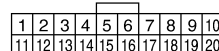
B79 (GRAY)



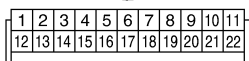
B40 (GRAY)



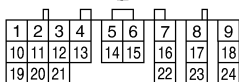
B94 (BLACK)



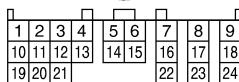
B83



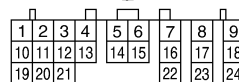
A: B54



B: B55 (GRAY)

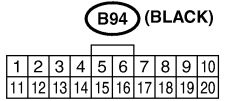
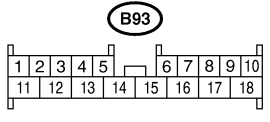
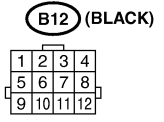
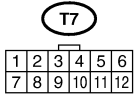
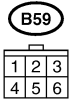
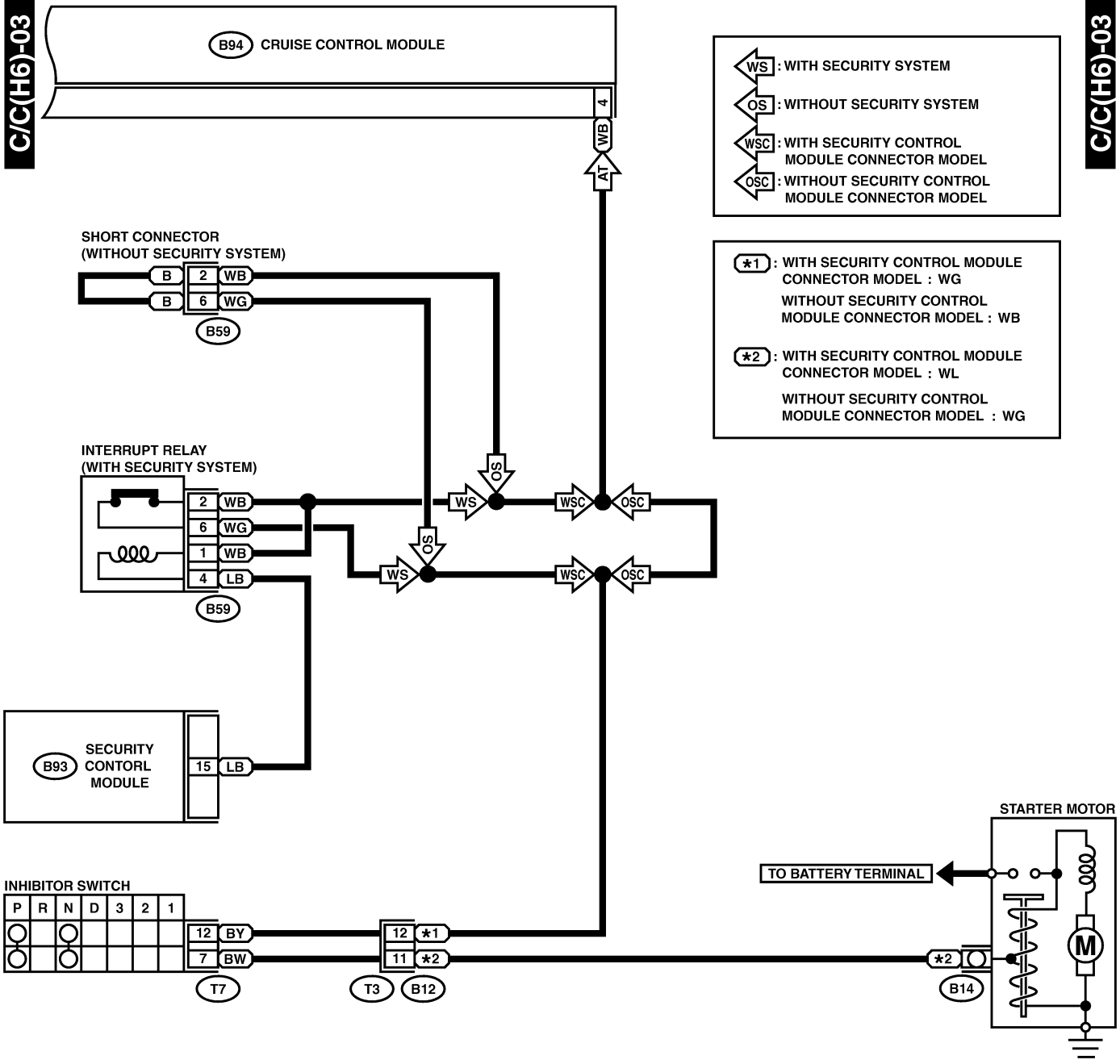


C: B56 (GREEN)



CRUISE CONTROL SYSTEM

Wiring System



15. Door Lock System S903490

A: SCHEMATIC S903490A21

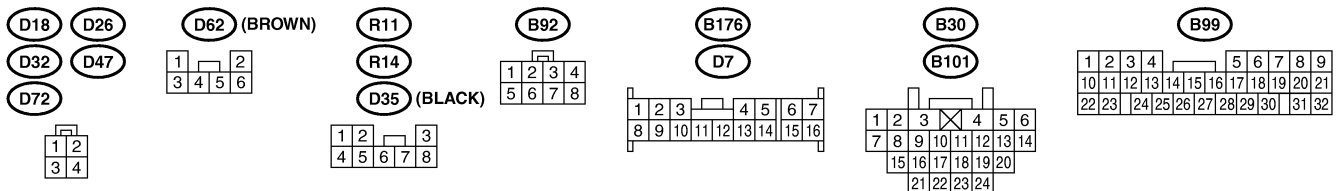
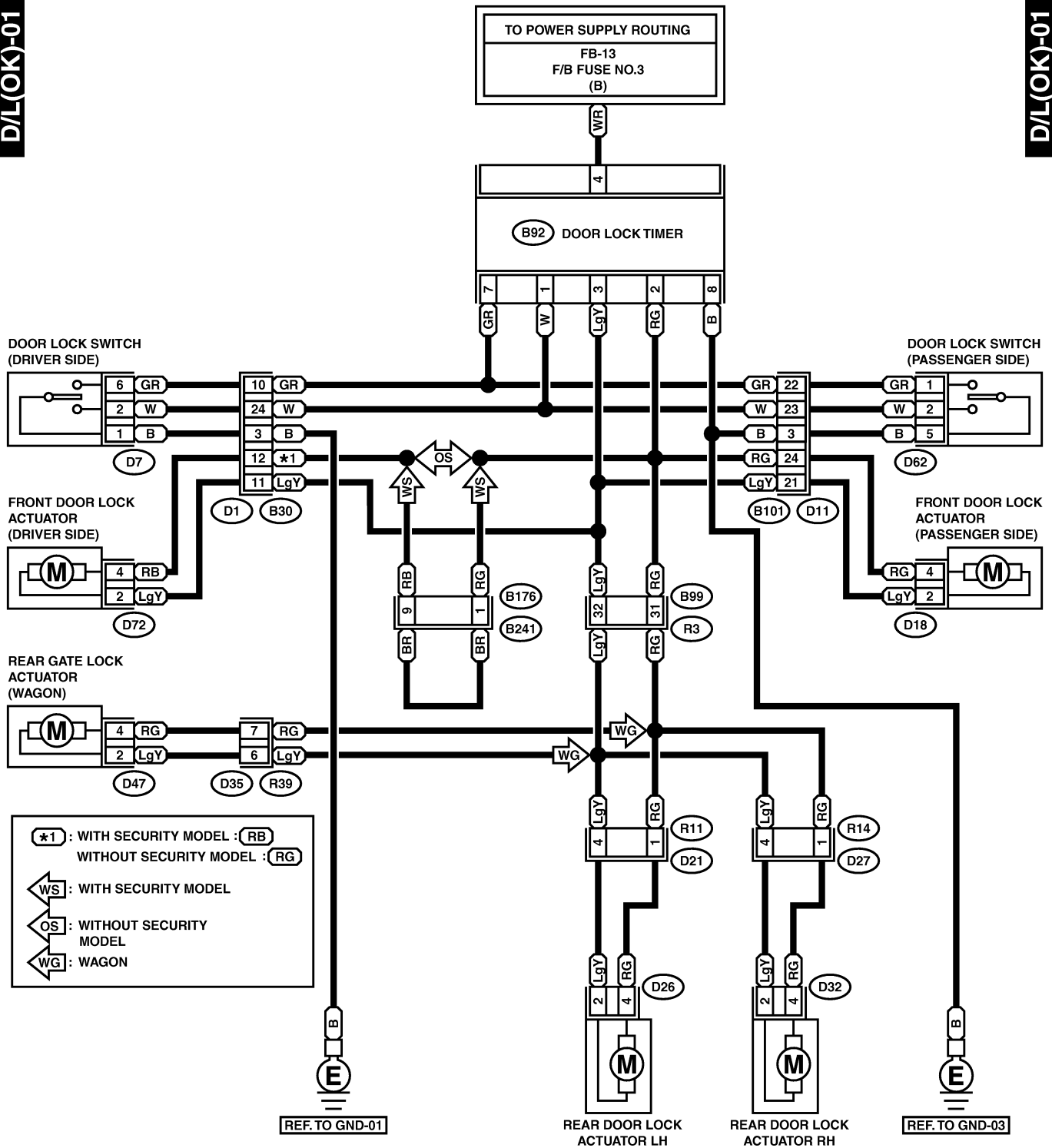
DOOR LOCK SYSTEM

Wiring System

1. WITHOUT KEYLESS ENTRY MODEL S903490A2.103

D/L(OK)-01

D/L(OK)-01



BU73-21

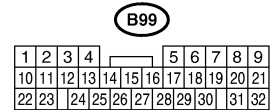
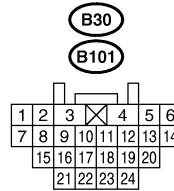
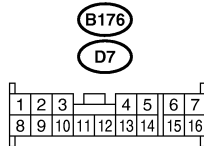
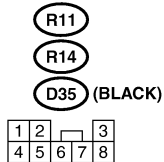
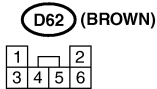
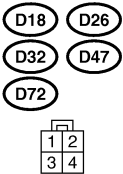
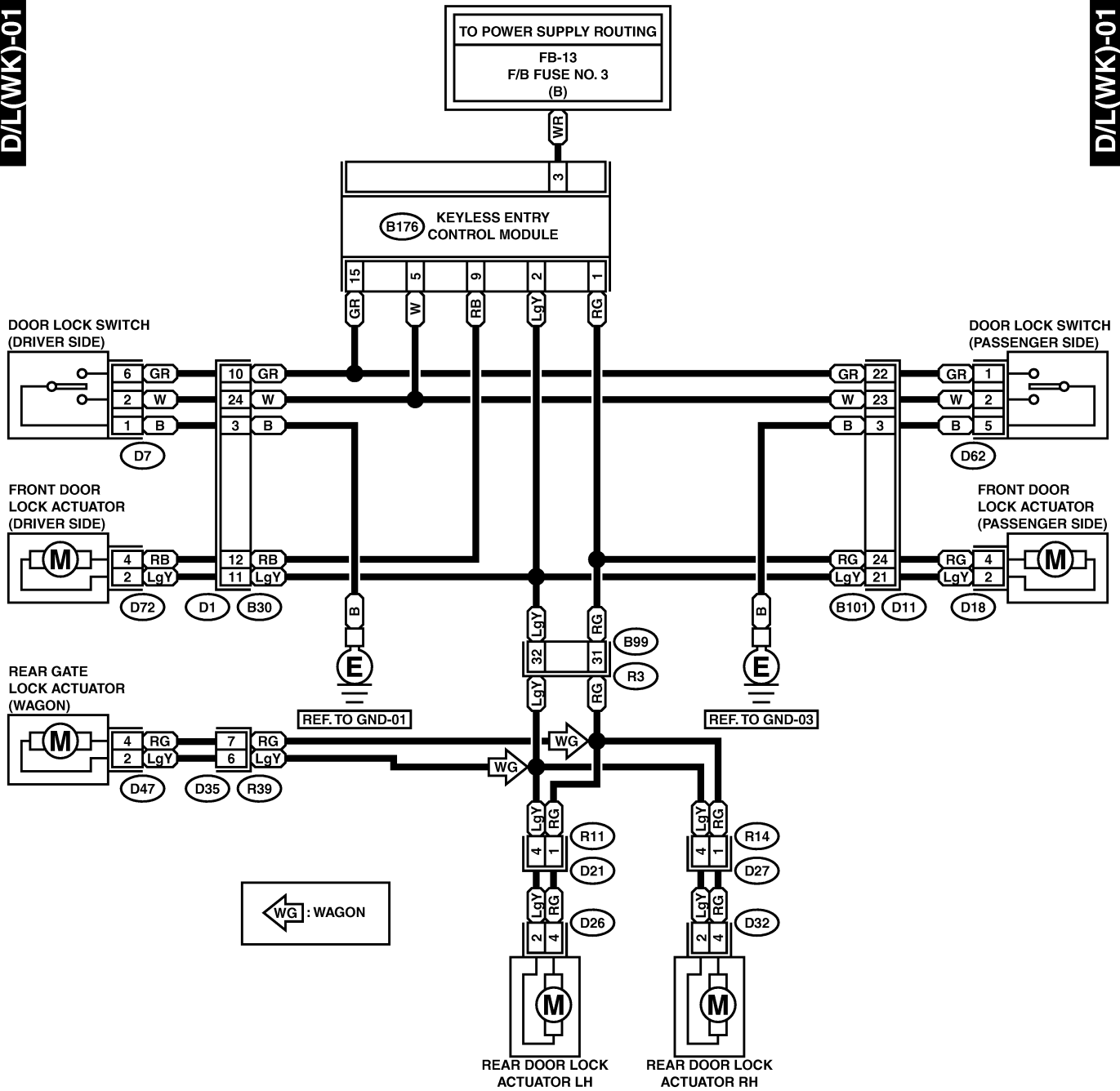
DOOR LOCK SYSTEM

Wiring System

2. WITH KEYLESS ENTRY MODEL S903490A2104

D/L(WK)-01

D/L(WK)-01



16. Engine Coolant Temperature Gauge System

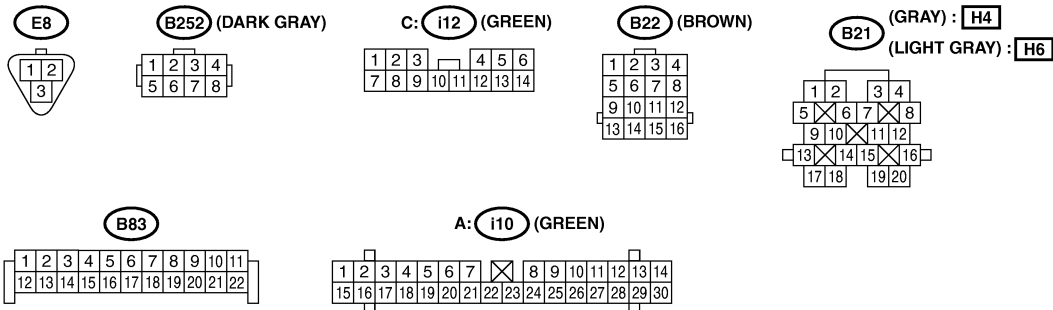
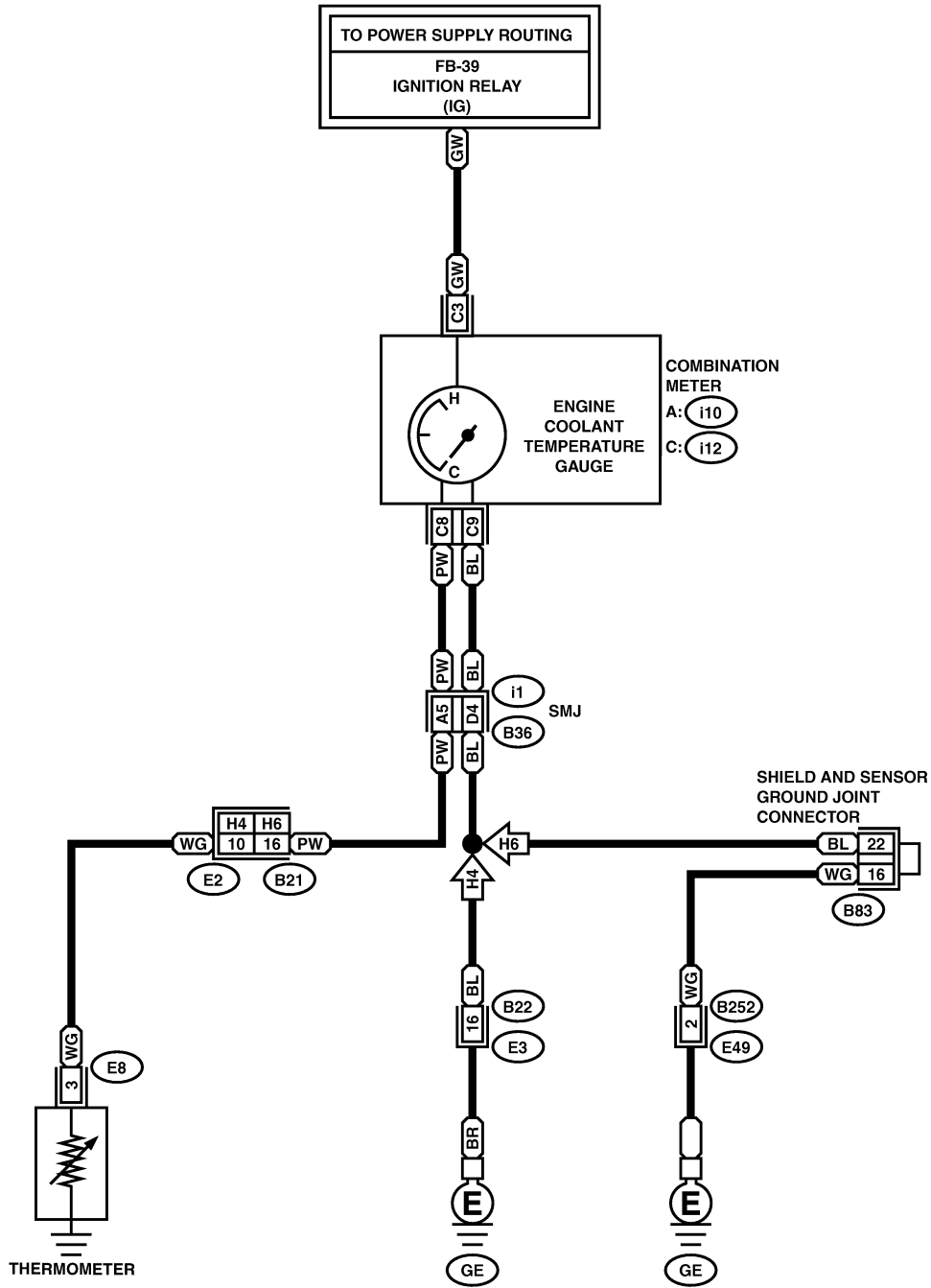
S903663

A: SCHEMATIC

S903663A21

C/TEMP-01

C/TEMP-01



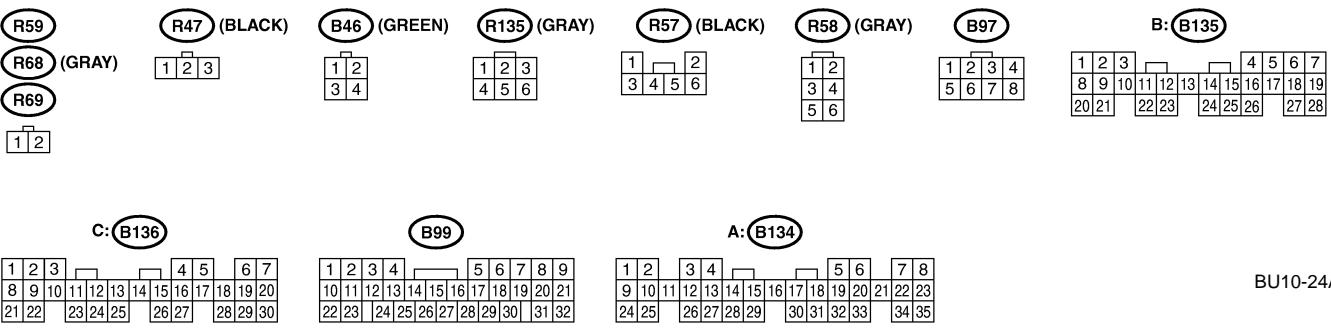
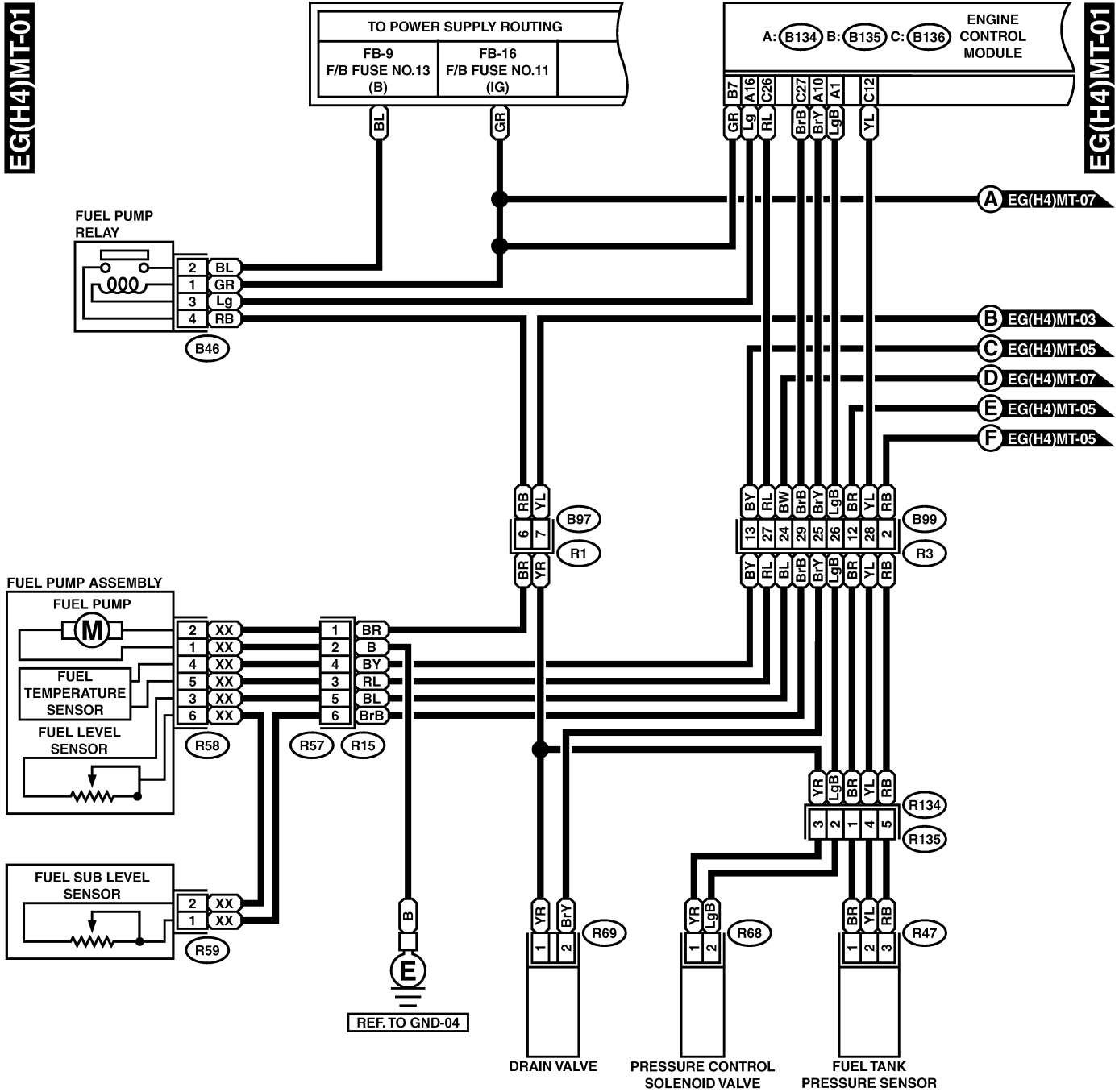
ENGINE ELECTRICAL SYSTEM

Wiring System

17. Engine Electrical System S903482

A: SCHEMATIC S903482A21

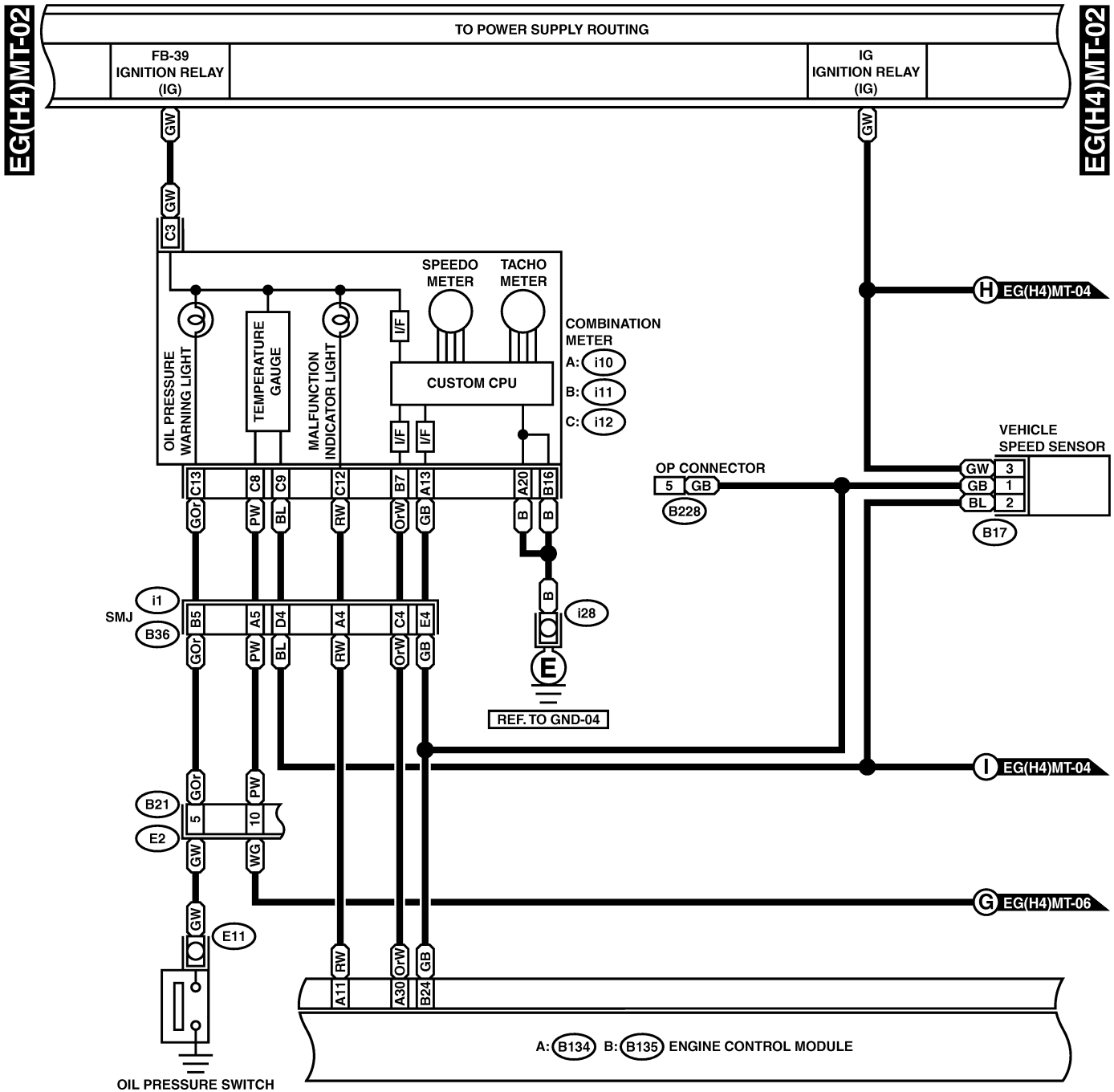
1. 4-CYLINDER ENGINE MT MODEL S903482A2103



BU10-24A

ENGINE ELECTRICAL SYSTEM

Wiring System



B17 (BLACK)

1	2	3
---	---	---

C: i12 (GREEN)

1	2	3	4	5	6		
7	8	9	10	11	12	13	14

B228

1	2	3			
4	5	6	7	8	9
10	11	12	13	14	15

B: i11 (GREEN)

1	2	3	4	5	6	7		
8	9	10	11	12	13	14	15	16

B21 (GRAY)

1	2	3	4
5	6	7	8
9	10	11	12
13	14	15	16
17	18	19	20

B: B135

1	2	3	4	5	6	7					
8	9	10	11	12	13	14	15	16	17	18	19
20	21	22	23	24	25	26	27	28			

A: i10 (GREEN)

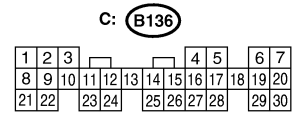
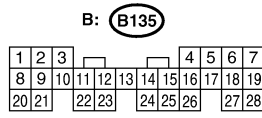
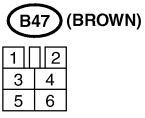
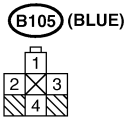
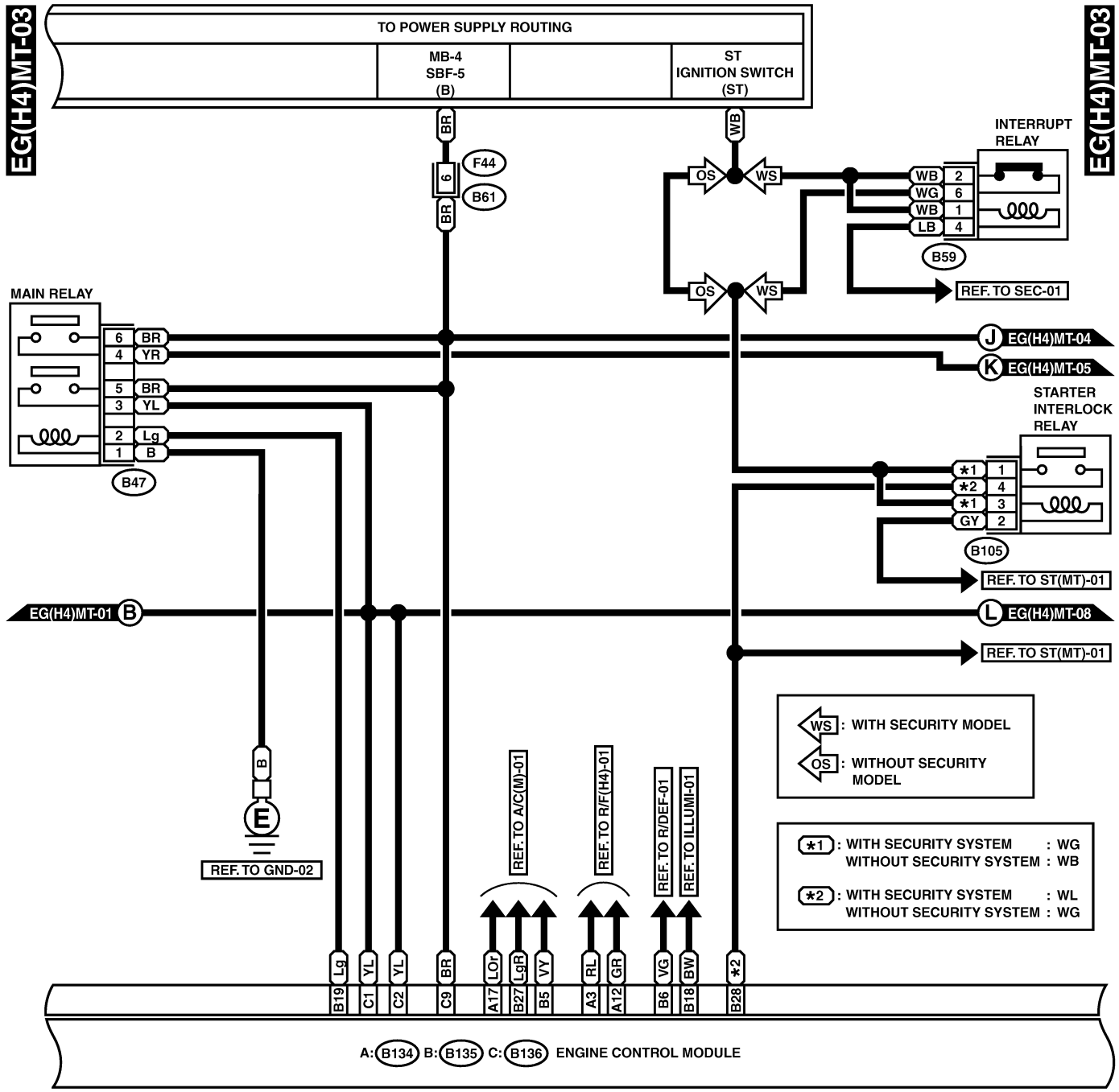
1	2	3	4	5	6	7	8	9	10	11	12	13	14		
15	16	17	18	19	20	21	22	23	24	25	26	27	28	29	30

A: B134

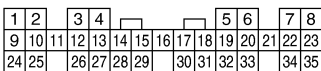
1	2	3	4	5	6	7	8							
9	10	11	12	13	14	15	16	17	18	19	20	21	22	23
24	25	26	27	28	29	30	31	32	33	34	35			

ENGINE ELECTRICAL SYSTEM

Wiring System

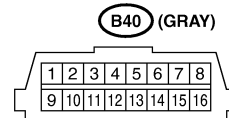
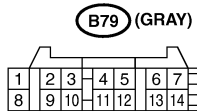
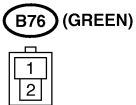
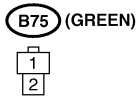
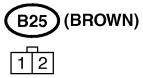
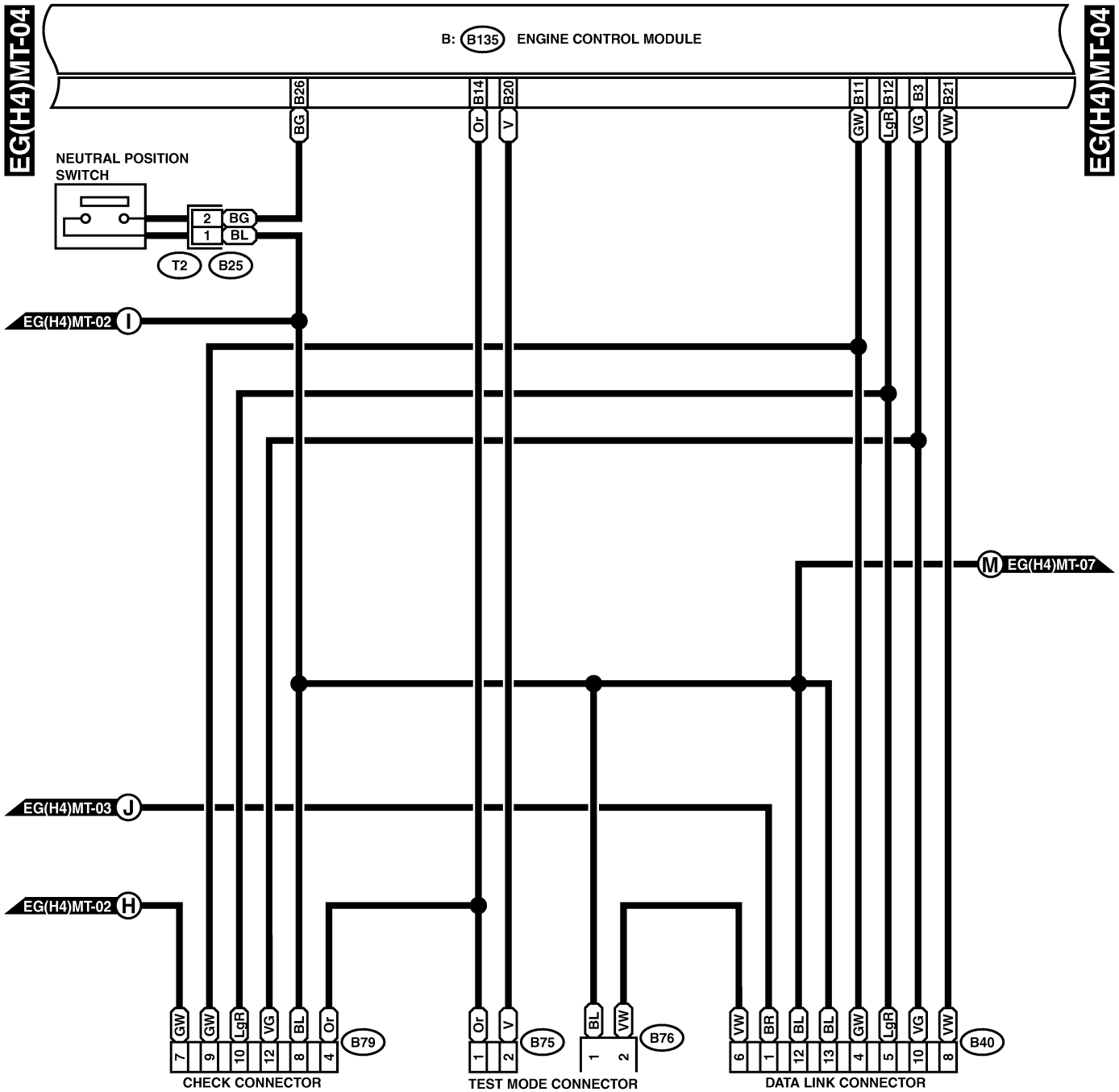


A: B134



ENGINE ELECTRICAL SYSTEM

Wiring System

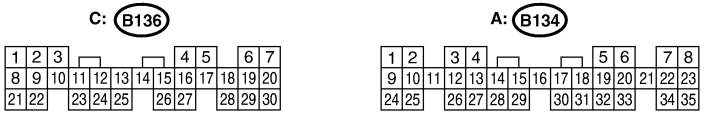
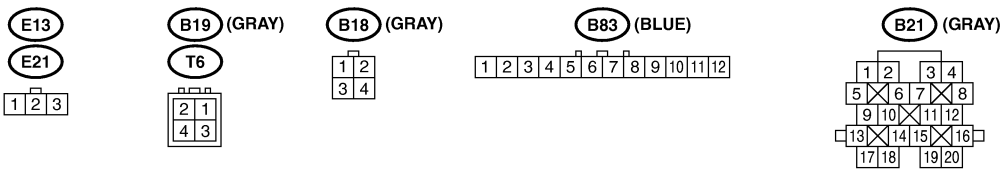
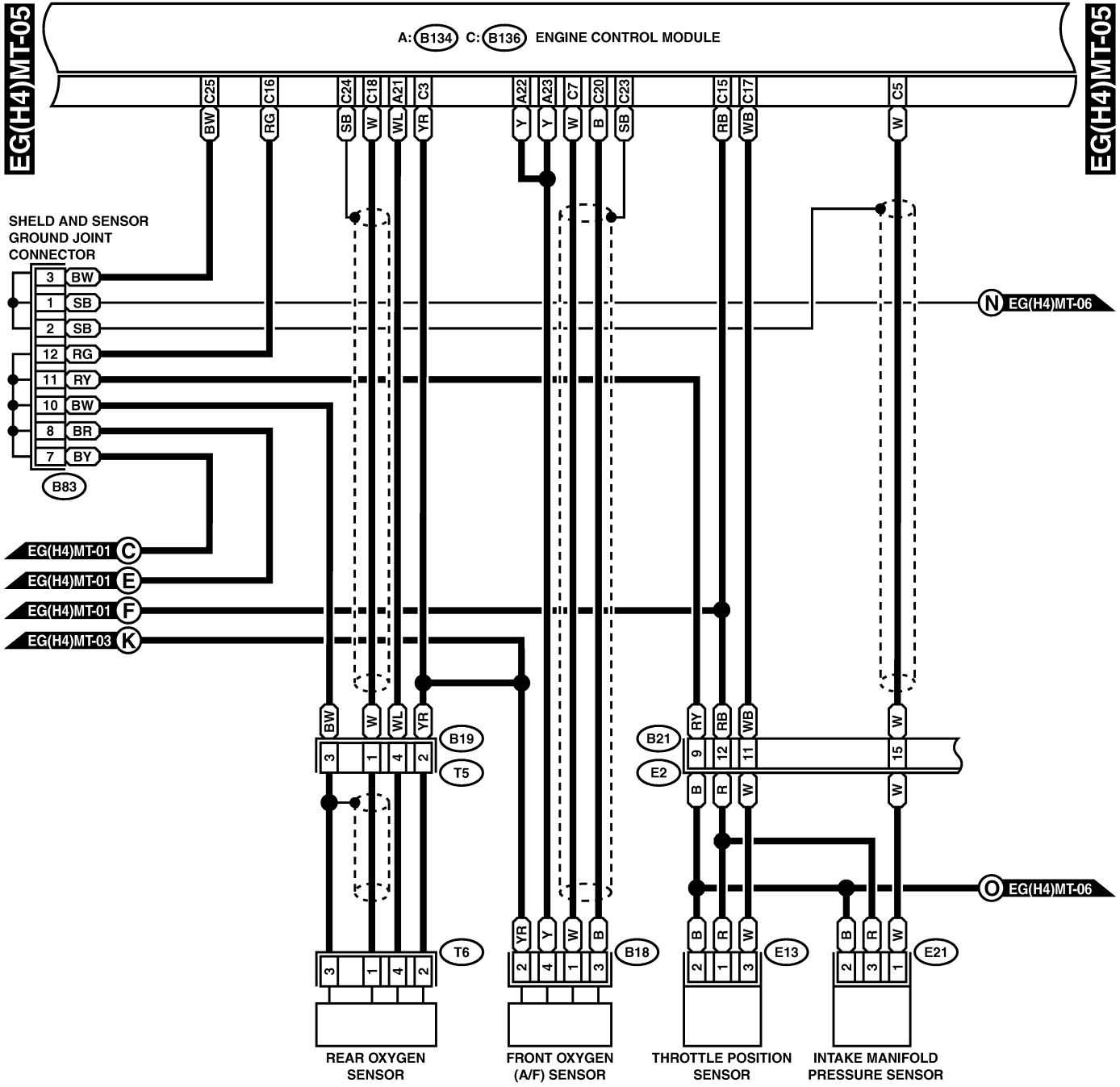


B: **B135**



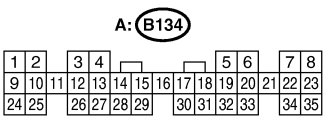
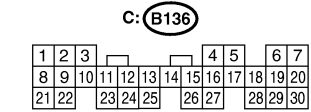
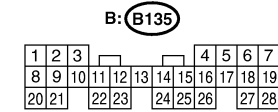
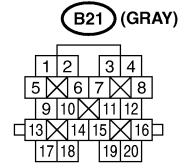
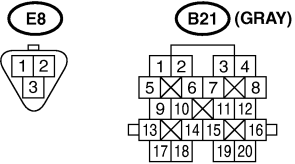
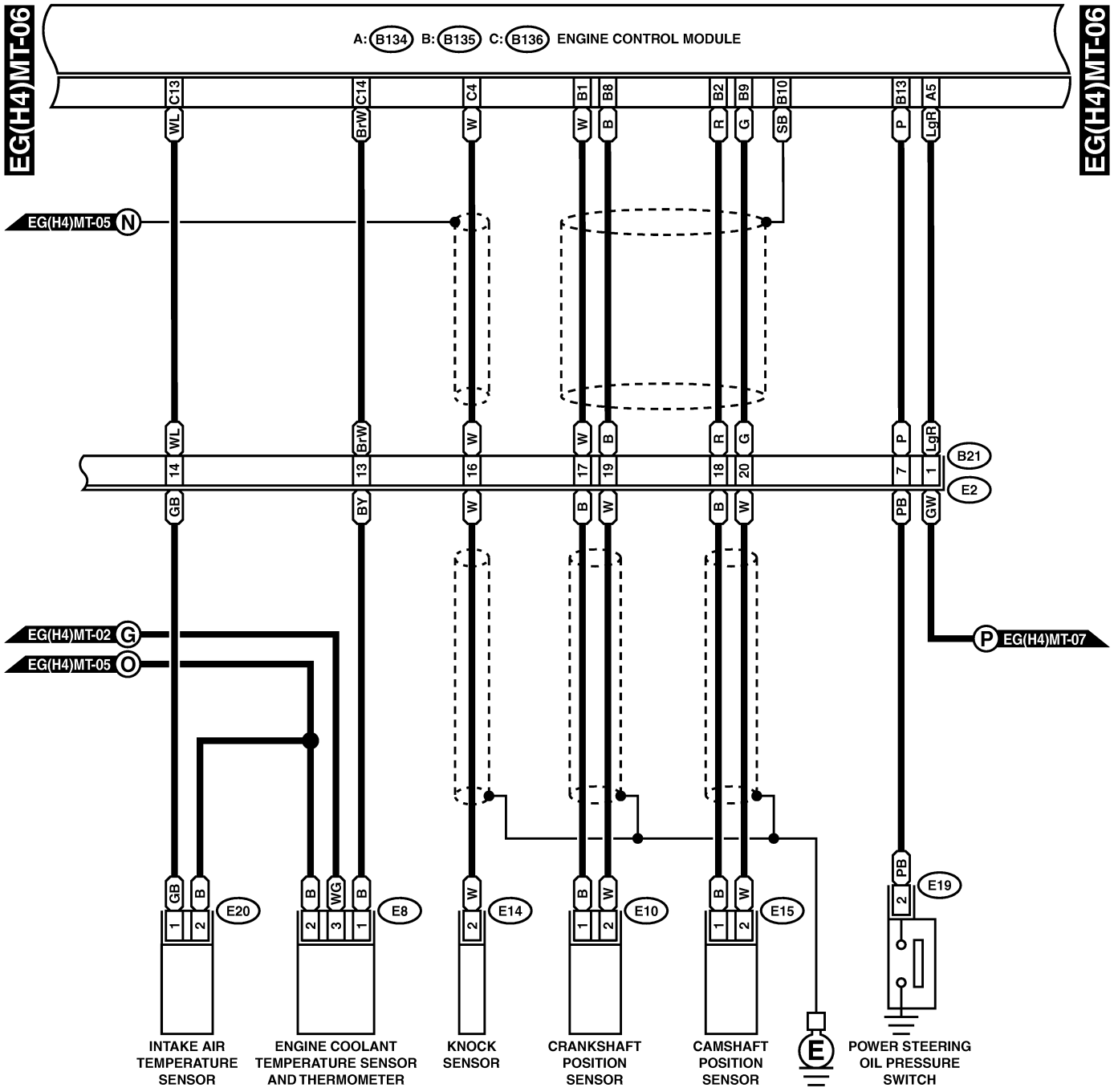
ENGINE ELECTRICAL SYSTEM

Wiring System



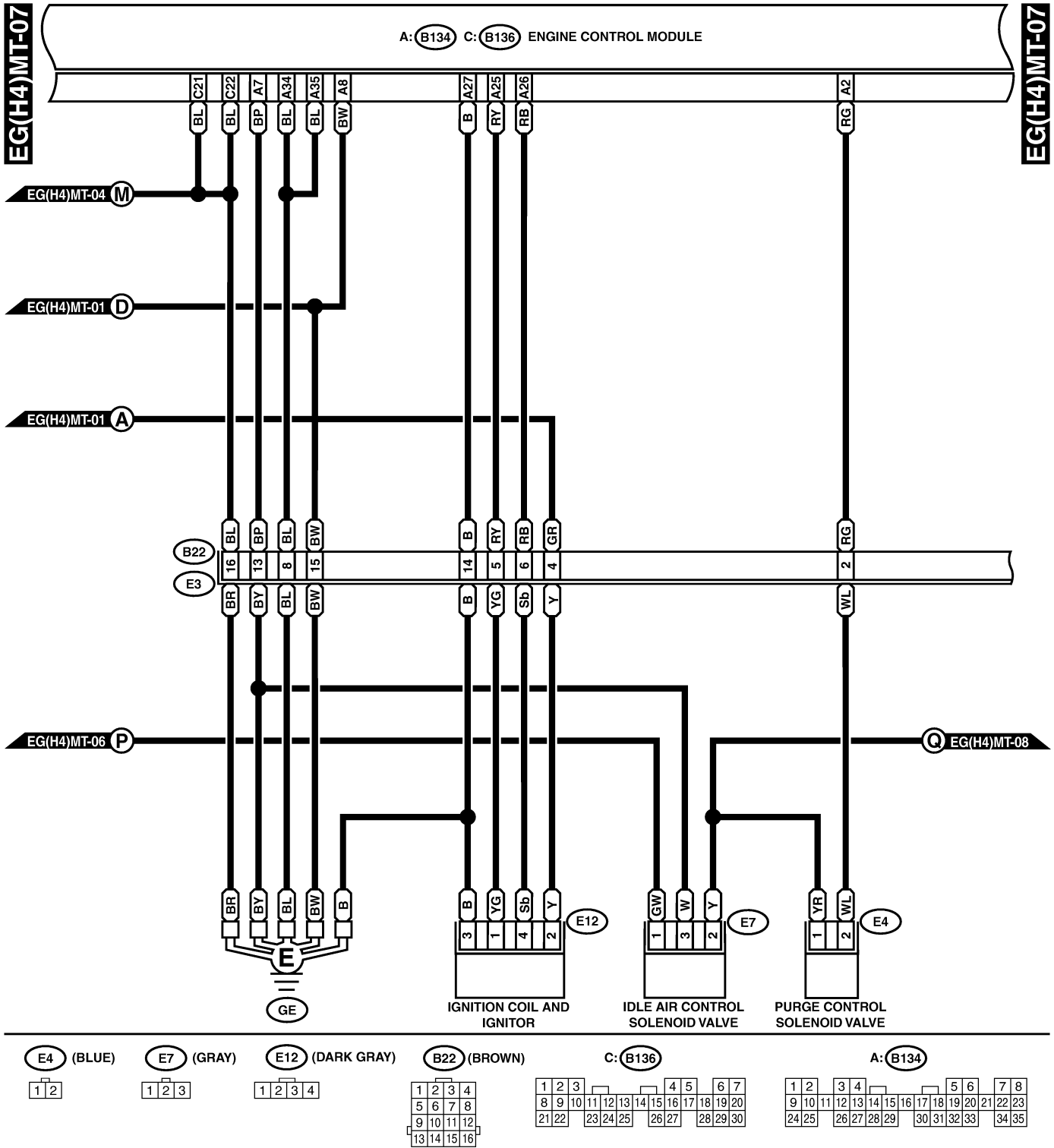
ENGINE ELECTRICAL SYSTEM

Wiring System



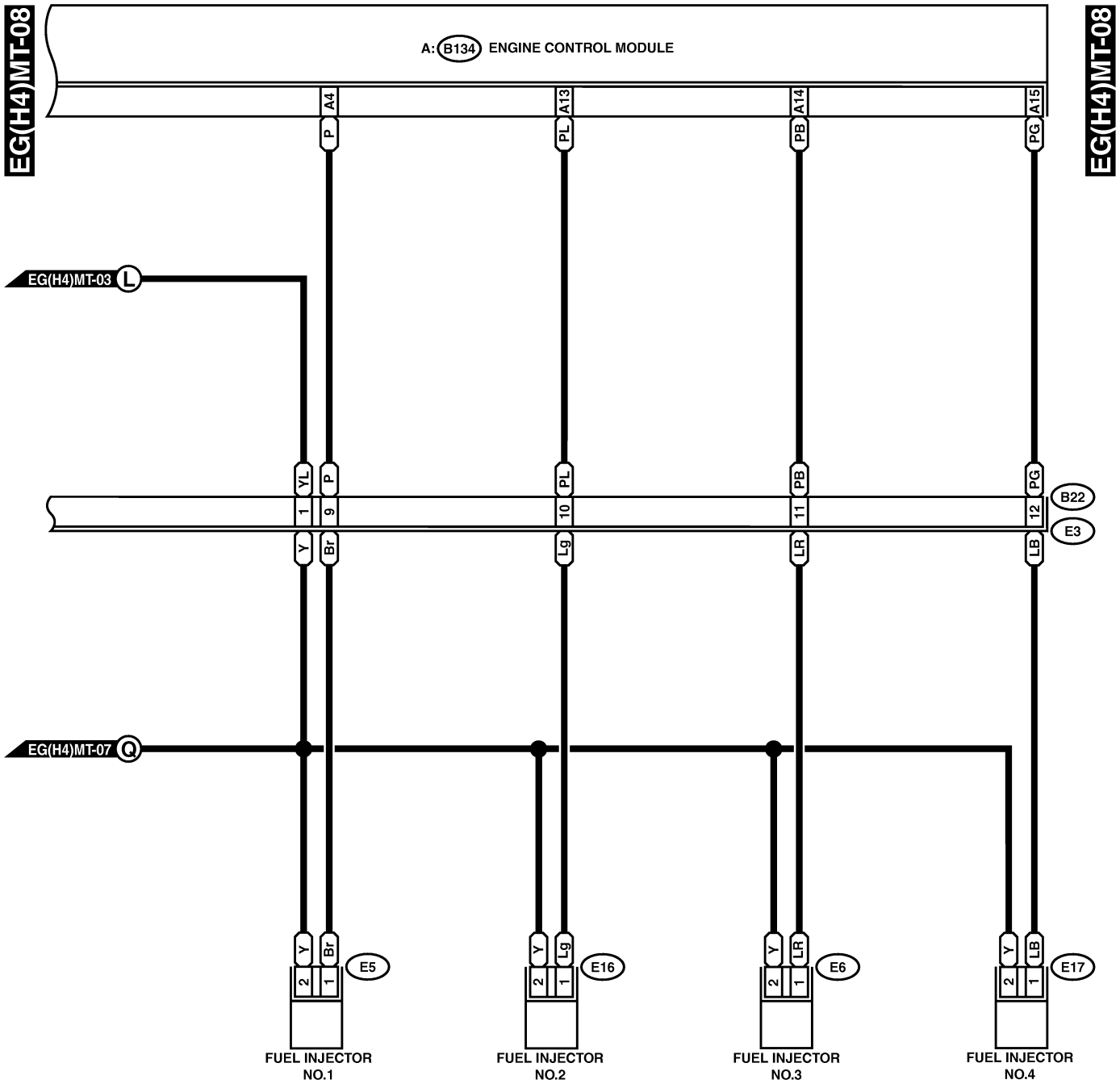
ENGINE ELECTRICAL SYSTEM

Wiring System



ENGINE ELECTRICAL SYSTEM

Wiring System



E5 (GRAY)

E6 (GRAY)

E16 (GRAY)

E17 (GRAY)

1 2

B22 (BROWN)

1	2	3	4
5	6	7	8
9	10	11	12
13	14	15	16

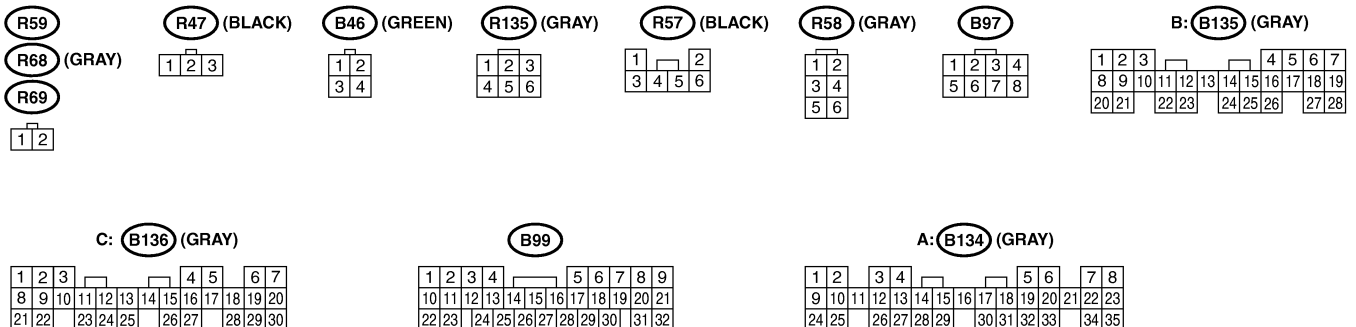
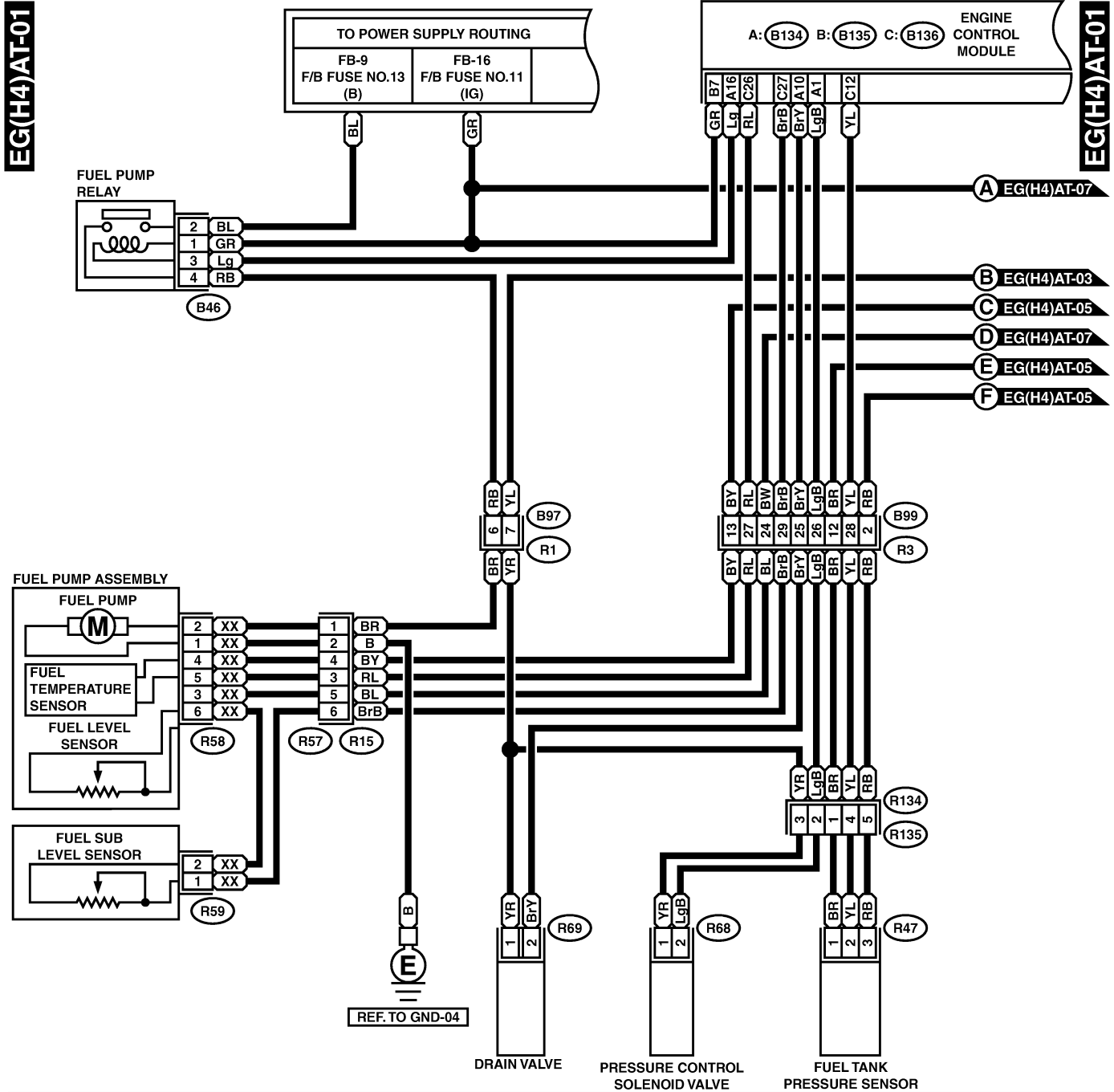
A: B134

1	2	3	4	5	6	7	8							
9	10	11	12	13	14	15	16	17	18	19	20	21	22	23
24	25	26	27	28	29	30	31	32	33	34	35			

ENGINE ELECTRICAL SYSTEM

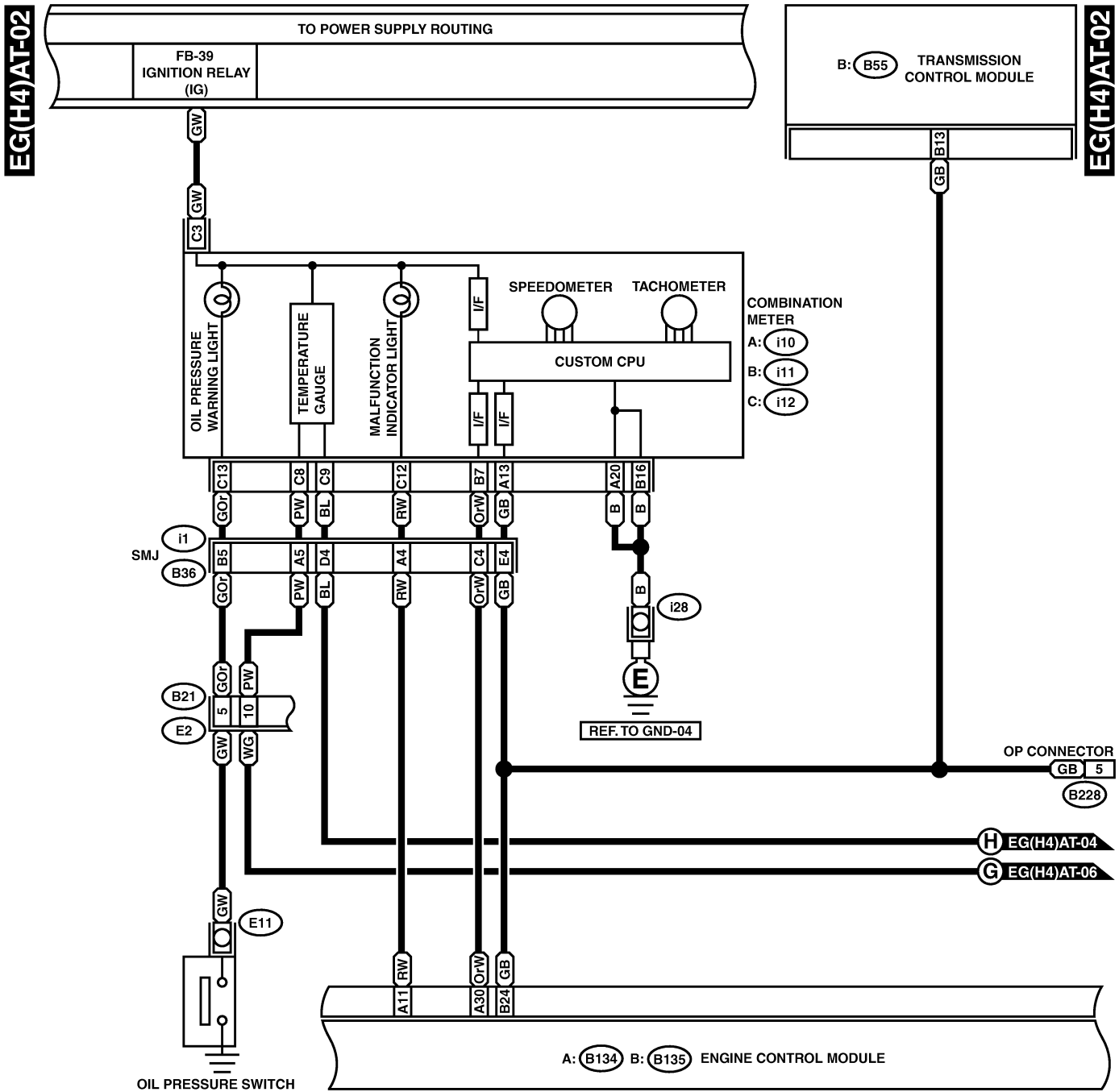
Wiring System

2. 4-CYLINDER ENGINE AT MODEL S903482A2104



ENGINE ELECTRICAL SYSTEM

Wiring System



C: i12 (GREEN)

1	2	3	4	5	6
7	8	9	10	11	12
13	14				

B228

1	2	3
4	5	6
7	8	9
10	11	12
13	14	15

B: i11 (GREEN)

1	2	3	4	5	6	7
8	9	10	11	12	13	14
15	16					

B21 (GRAY)

1	2	3	4
5	6	7	8
9	10	11	12
13	14	15	16
17	18	19	20

B: B55 (GRAY)

1	2	3	4	5	6	7	8	9
10	11	12	13	14	15	16	17	18
19	20	21				22	23	24

B: R135 (GRAY)

1	2	3	4	5	6	7
8	9	10	11	12	13	14
15	16	17	18	19	20	21
22	23	24	25	26	27	28

A: i10 (GREEN)

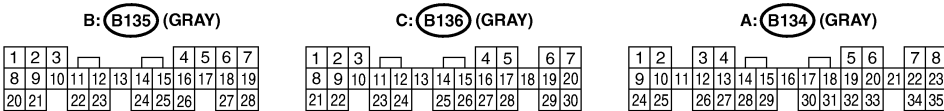
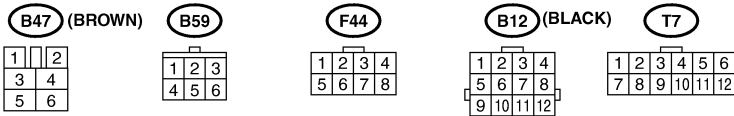
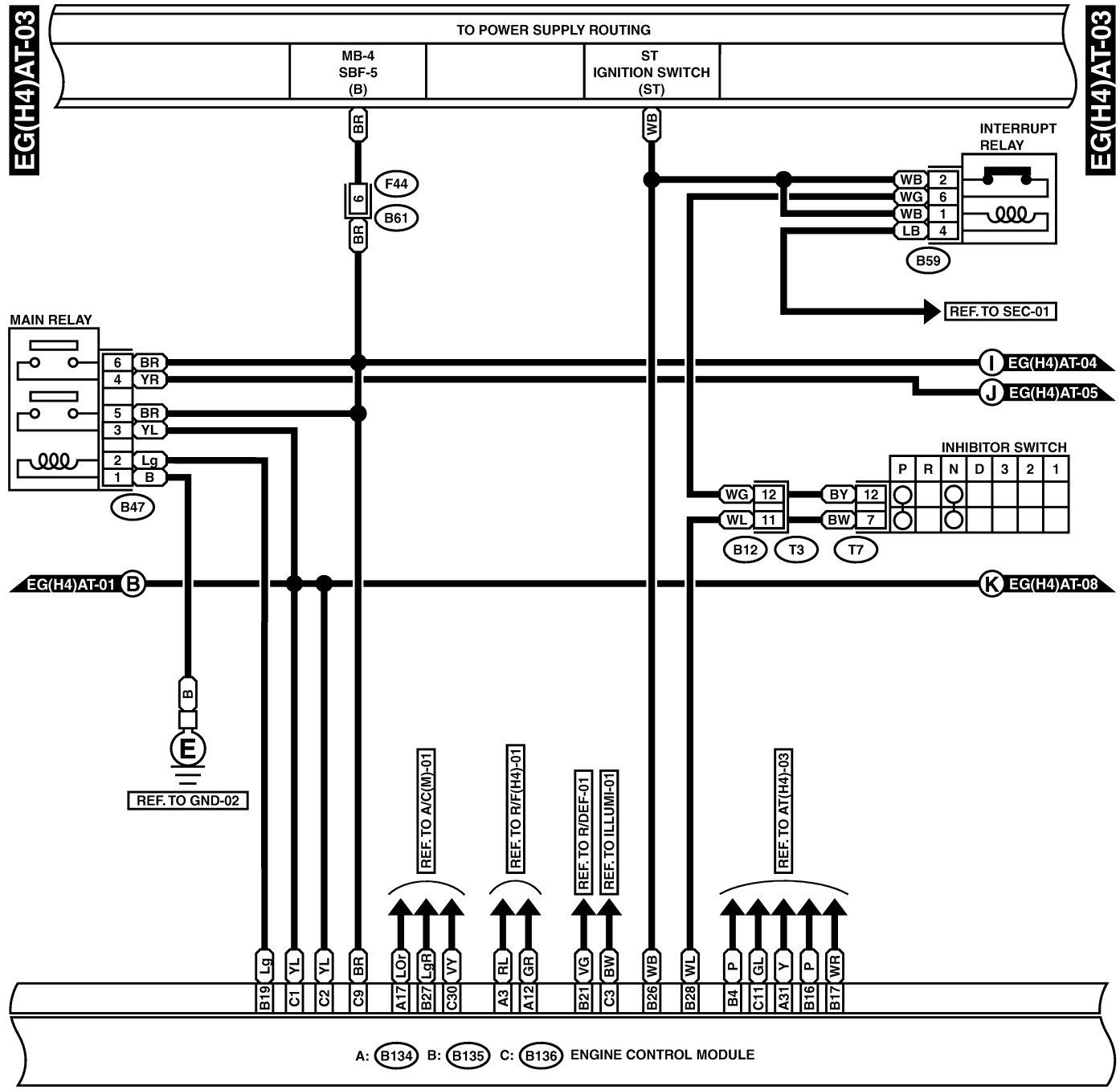
1	2	3	4	5	6	7	8	9	10	11	12	13	14
15	16	17	18	19	20	21	22	23	24	25	26	27	28
29	30												

A: B134 (GRAY)

1	2	3	4	5	6	7	8
9	10	11	12	13	14	15	16
17	18	19	20	21	22	23	24
25	26	27	28	29	30	31	32
33	34	35					

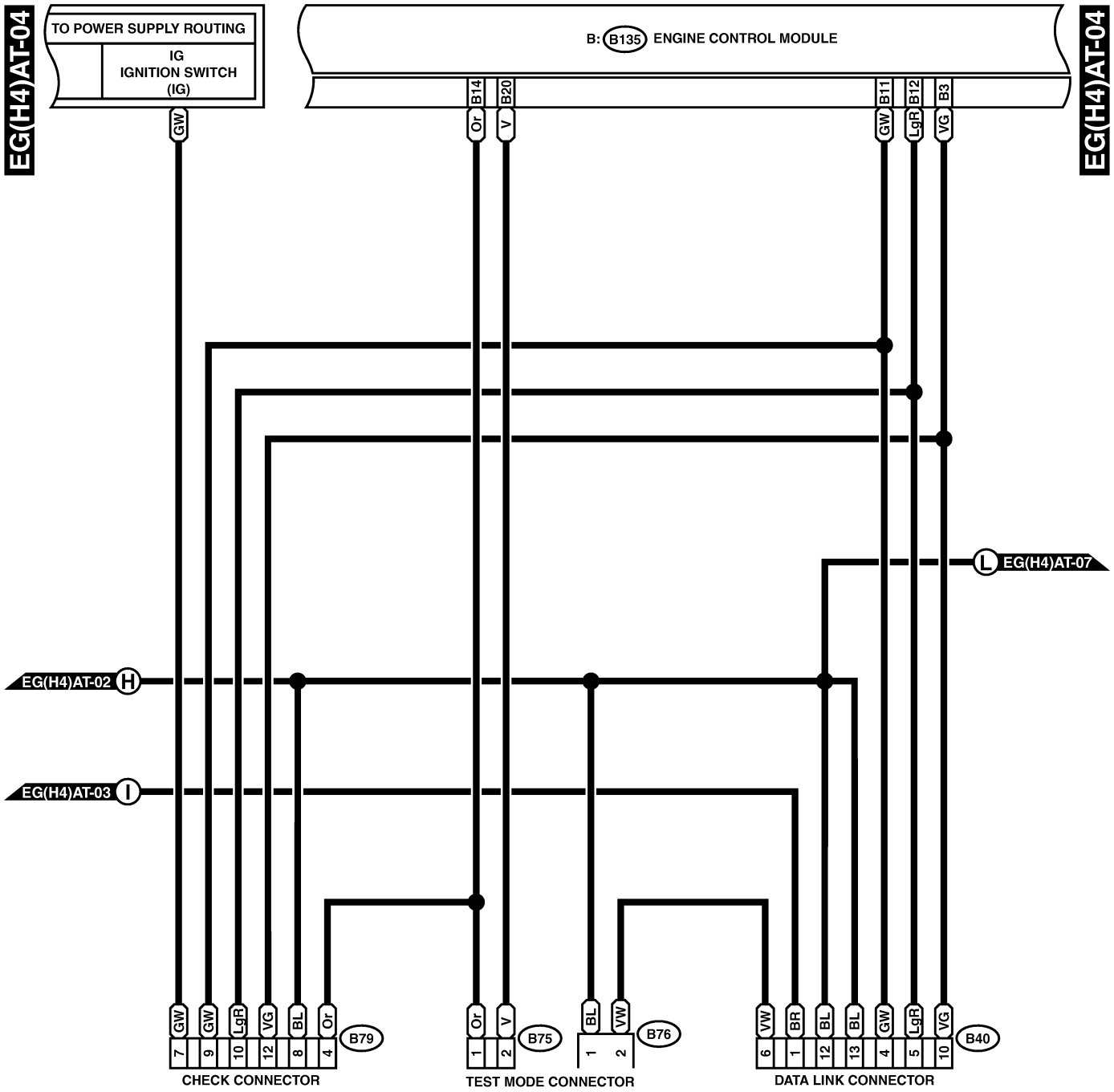
ENGINE ELECTRICAL SYSTEM

Wiring System



ENGINE ELECTRICAL SYSTEM

Wiring System



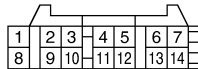
B75 (GREEN)



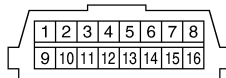
B76 (GREEN)



B79 (GRAY)



B40 (GRAY)

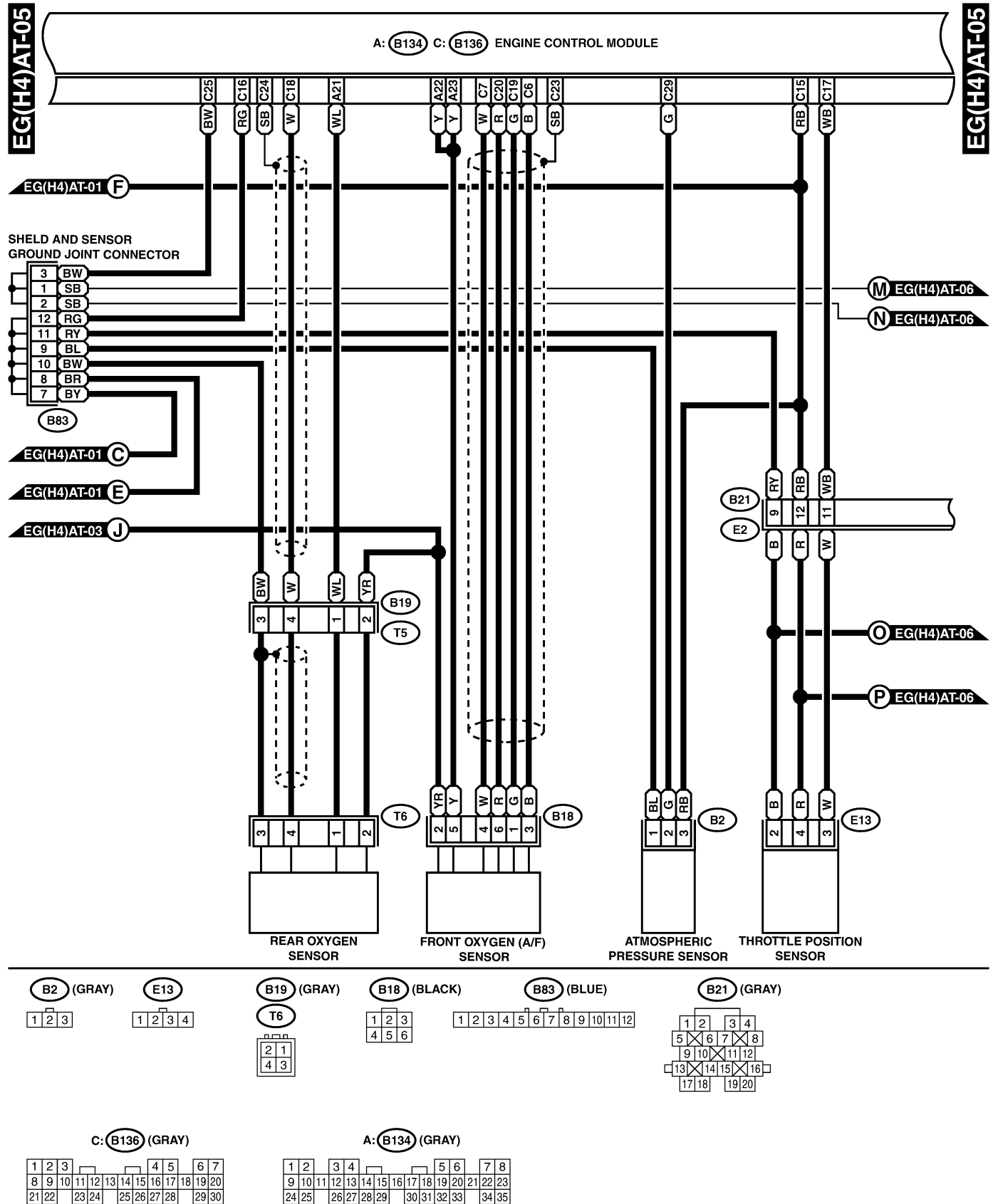


B: (B135) (GRAY)



ENGINE ELECTRICAL SYSTEM

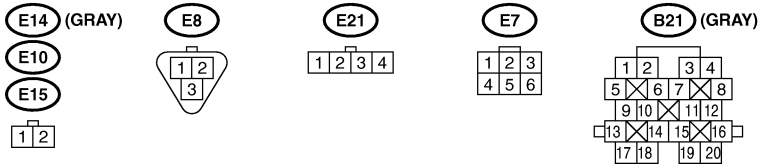
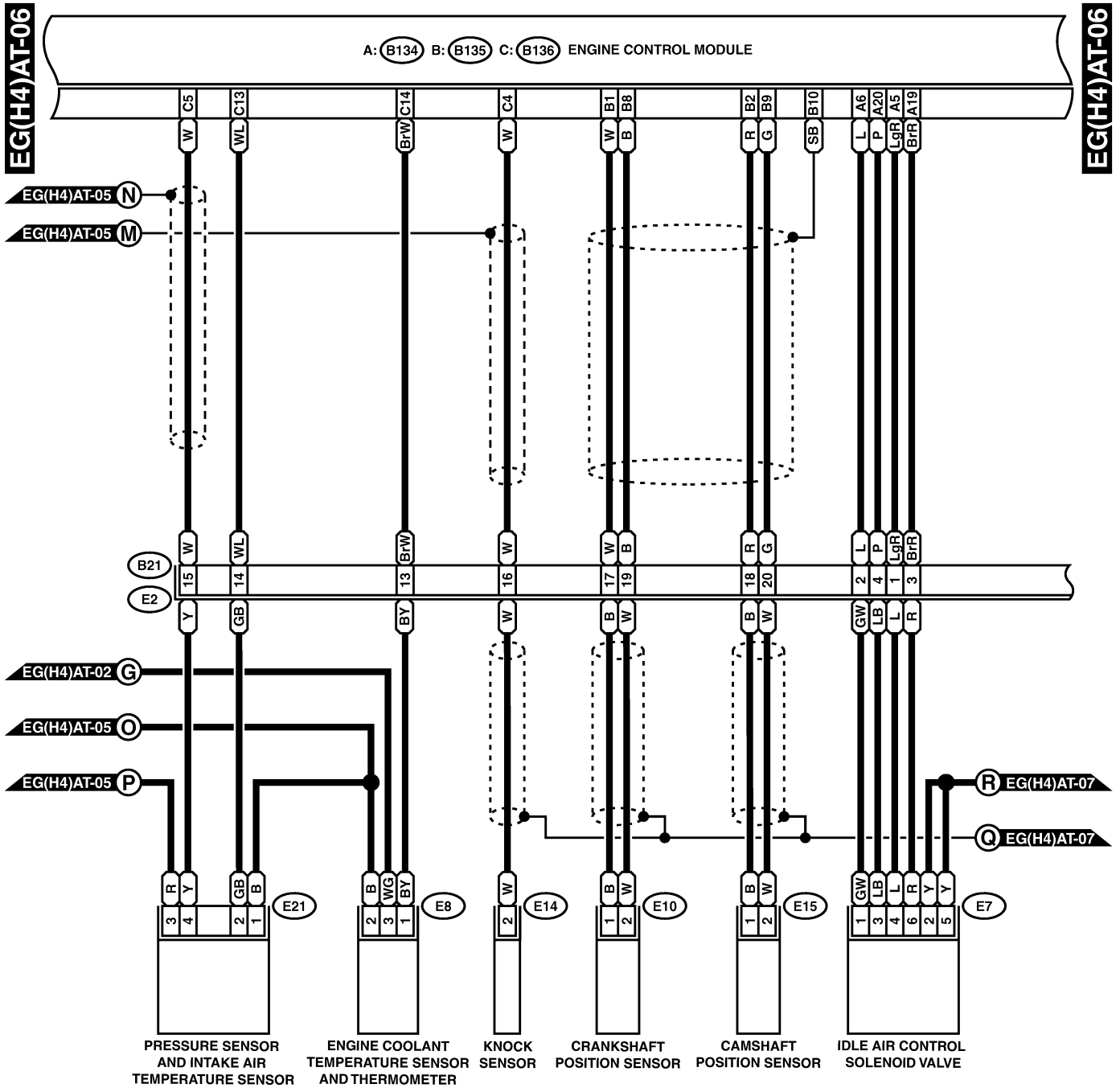
Wiring System



BU10-22E

ENGINE ELECTRICAL SYSTEM

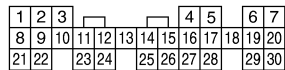
Wiring System



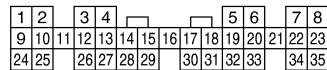
B: B135 (GRAY)



C: B136 (GRAY)

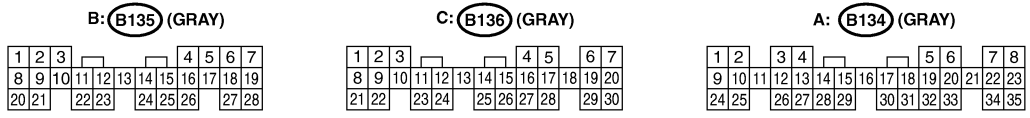
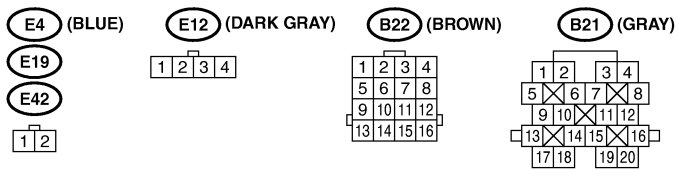
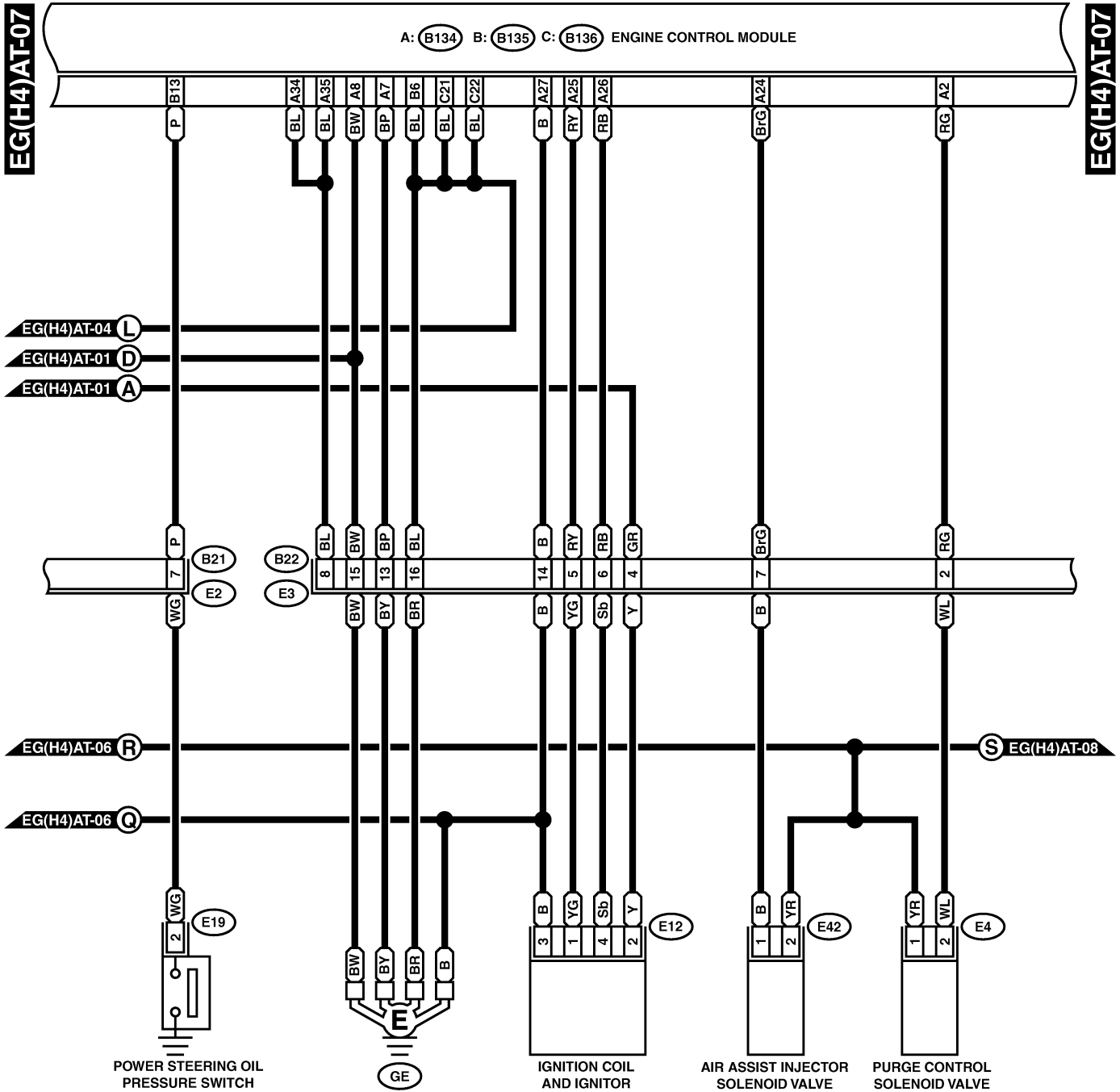


A: B134 (GRAY)



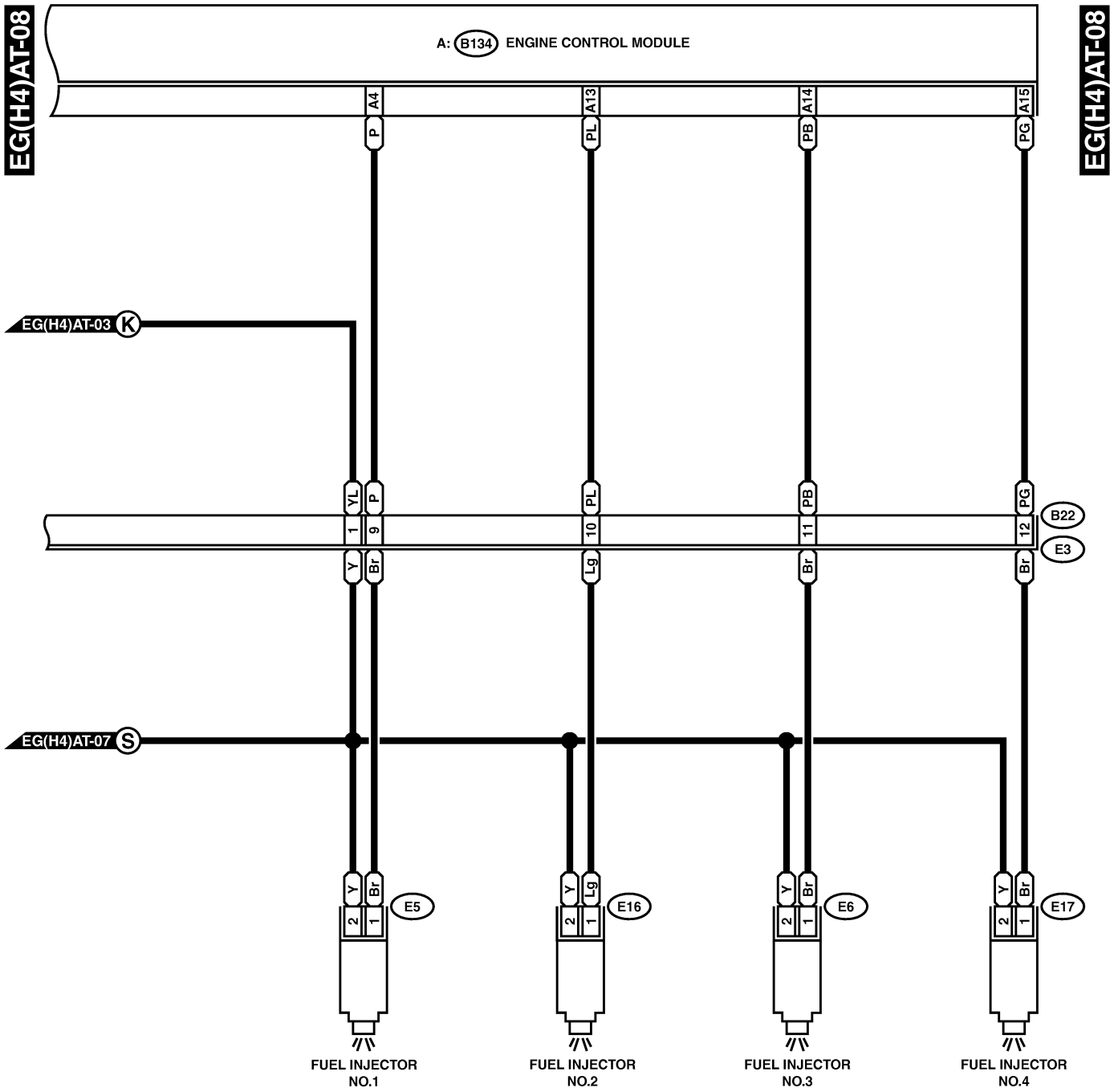
ENGINE ELECTRICAL SYSTEM

Wiring System



ENGINE ELECTRICAL SYSTEM

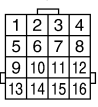
Wiring System



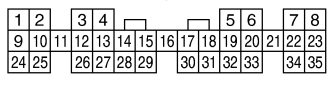
- (E5) (GRAY)
- (E6) (GRAY)
- (E16) (GRAY)
- (E17) (GRAY)



- (B22) (BROWN)



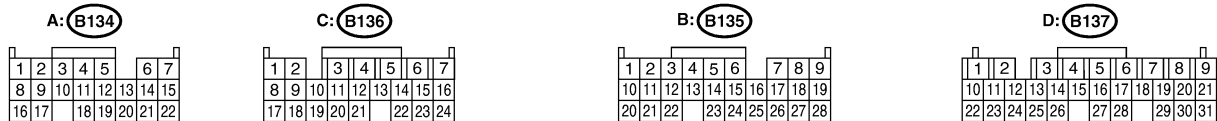
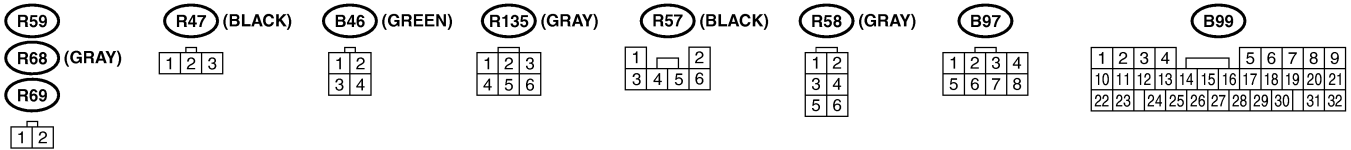
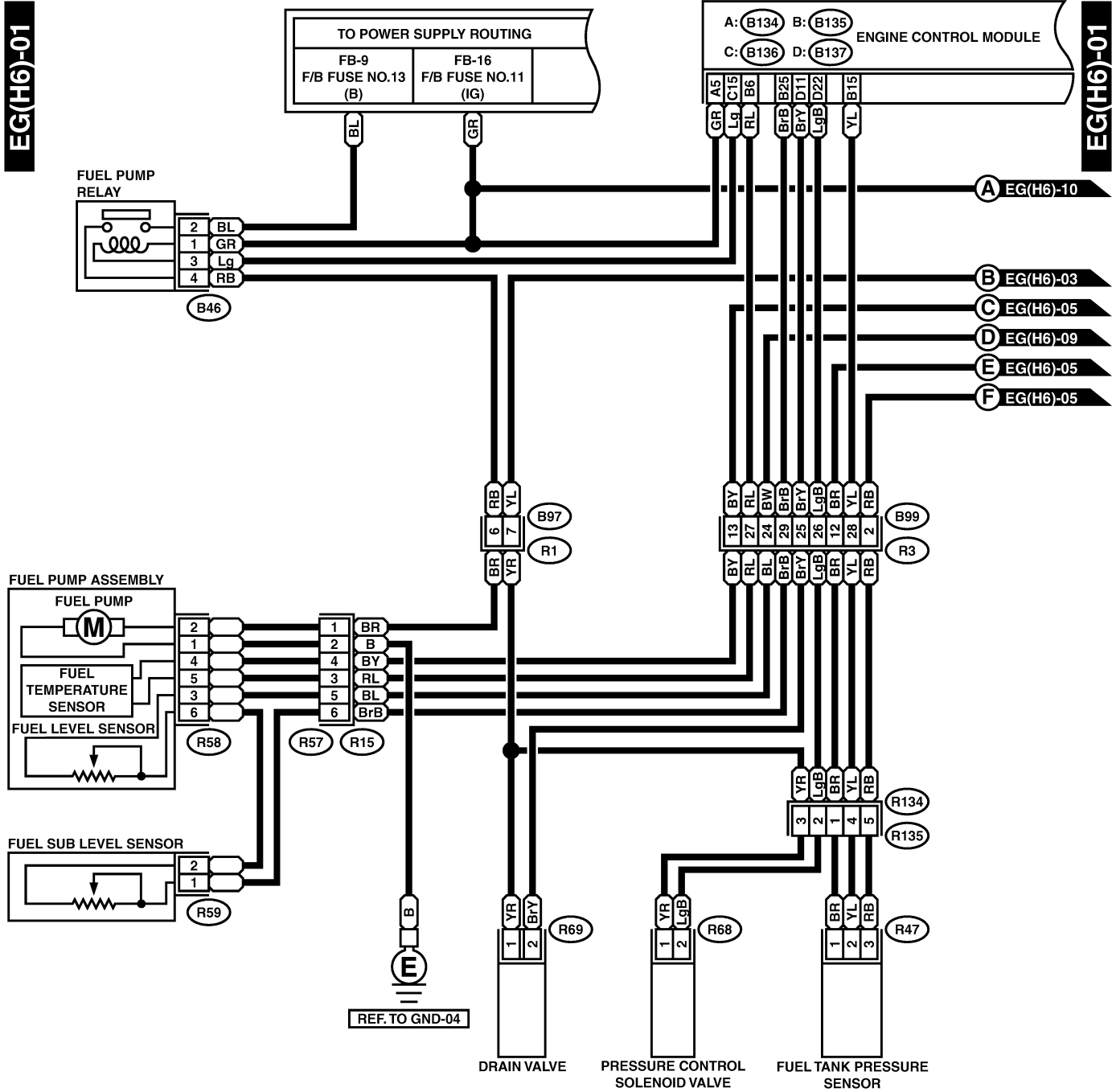
- A: (B134) (GRAY)



ENGINE ELECTRICAL SYSTEM

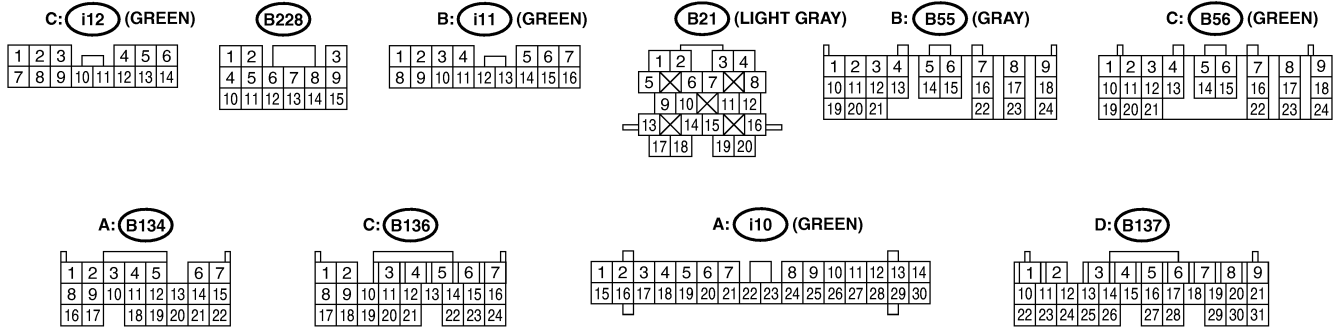
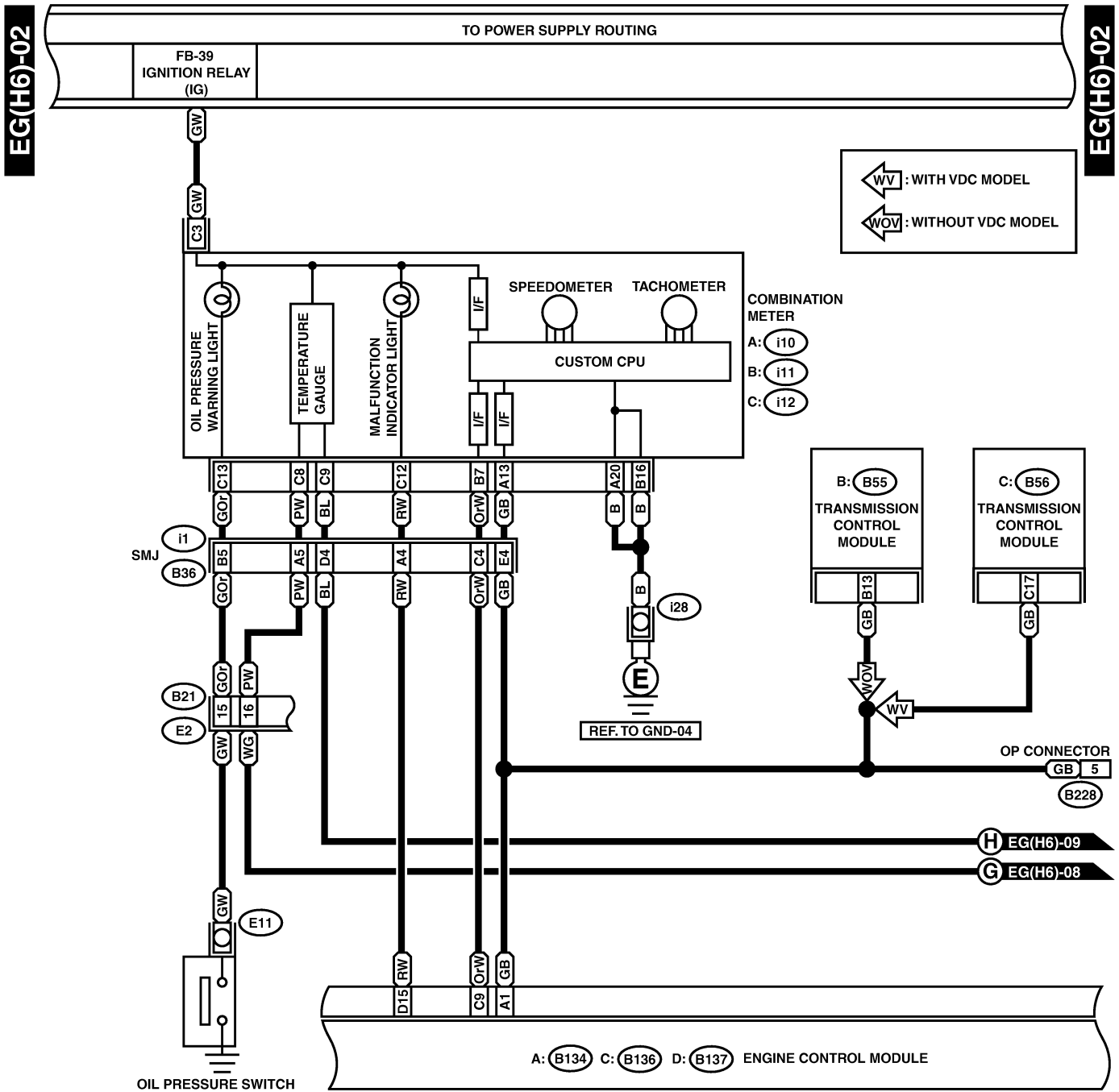
Wiring System

3. 6-CYLINDER ENGINE MODEL S903482A2105



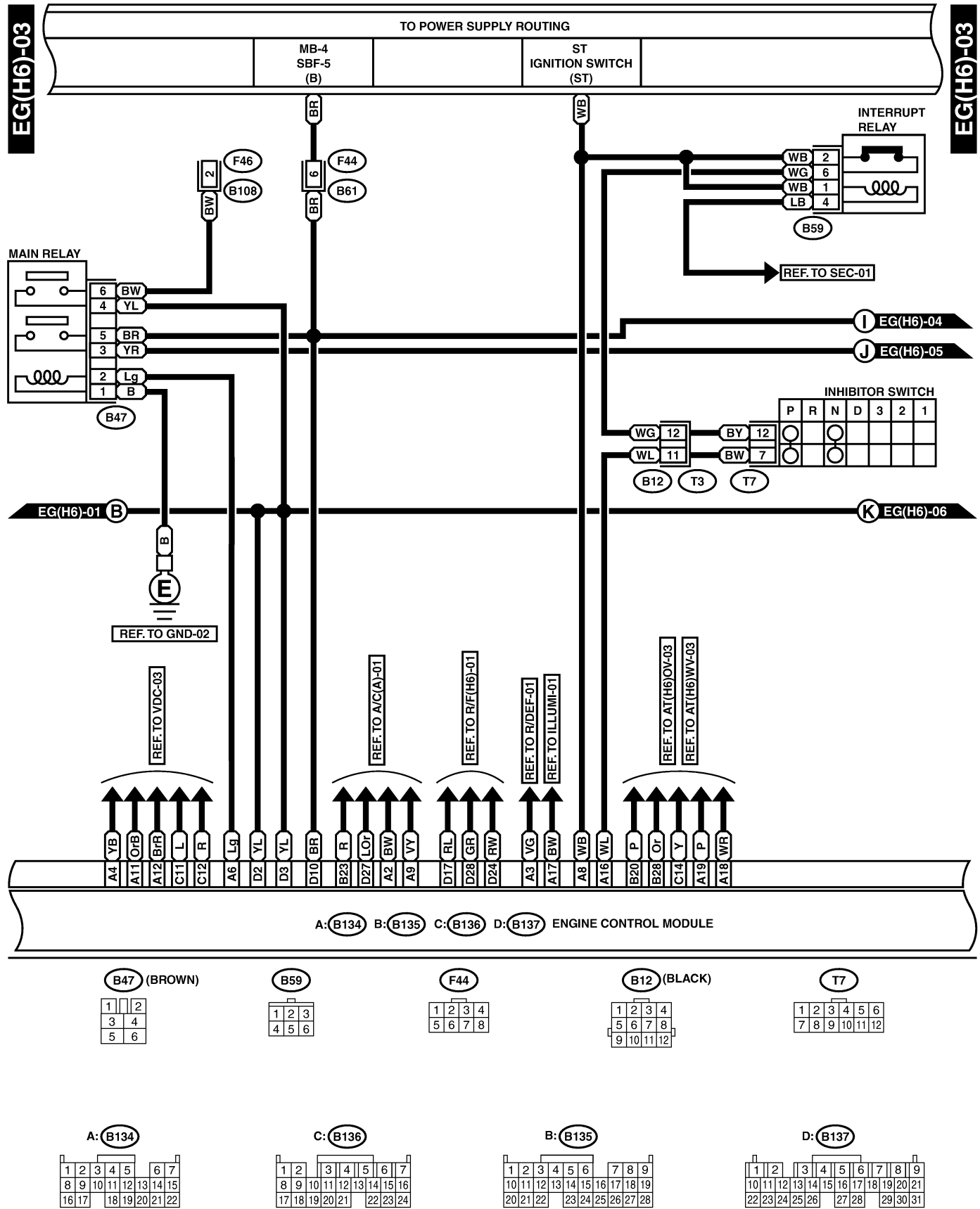
ENGINE ELECTRICAL SYSTEM

Wiring System



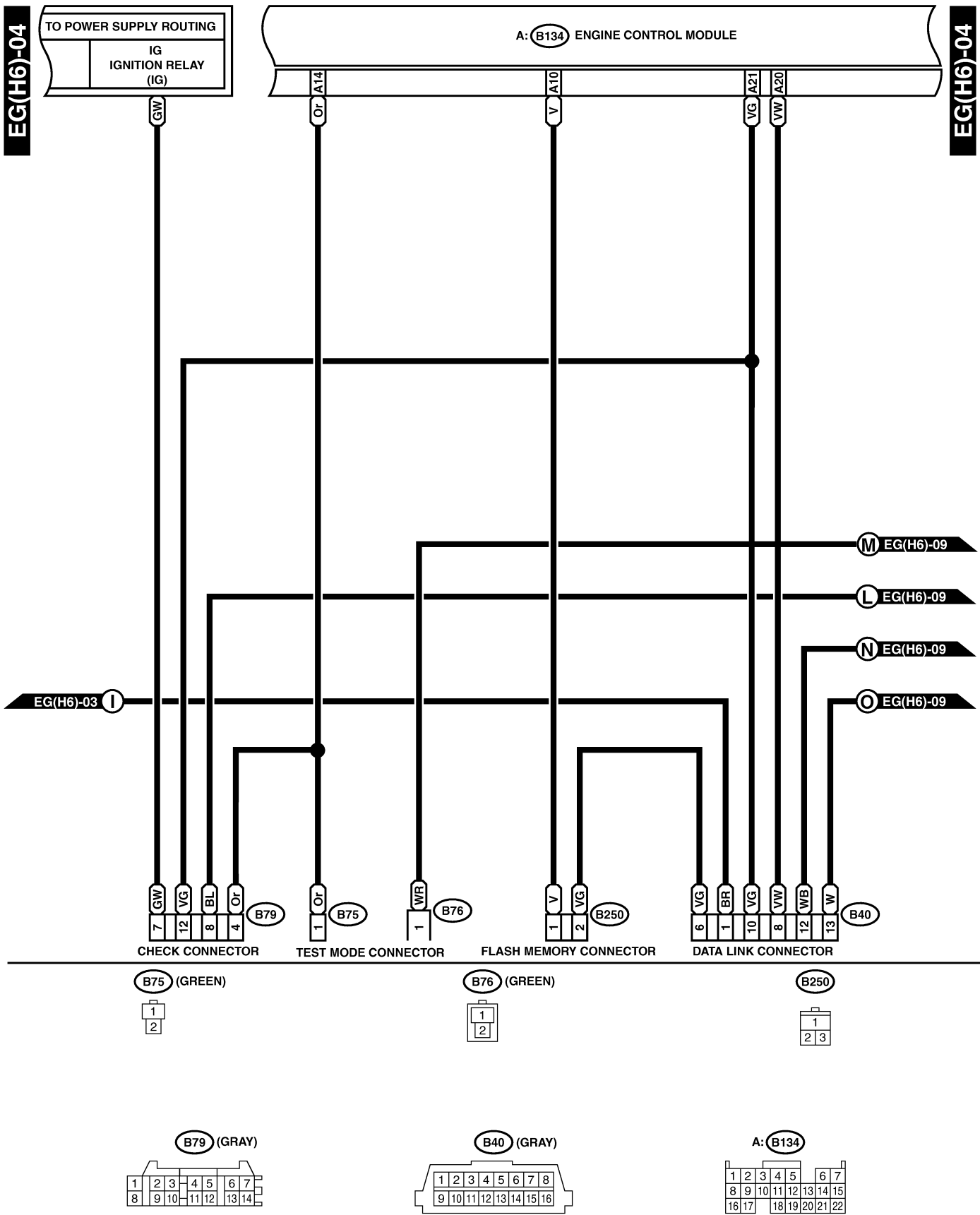
ENGINE ELECTRICAL SYSTEM

Wiring System



ENGINE ELECTRICAL SYSTEM

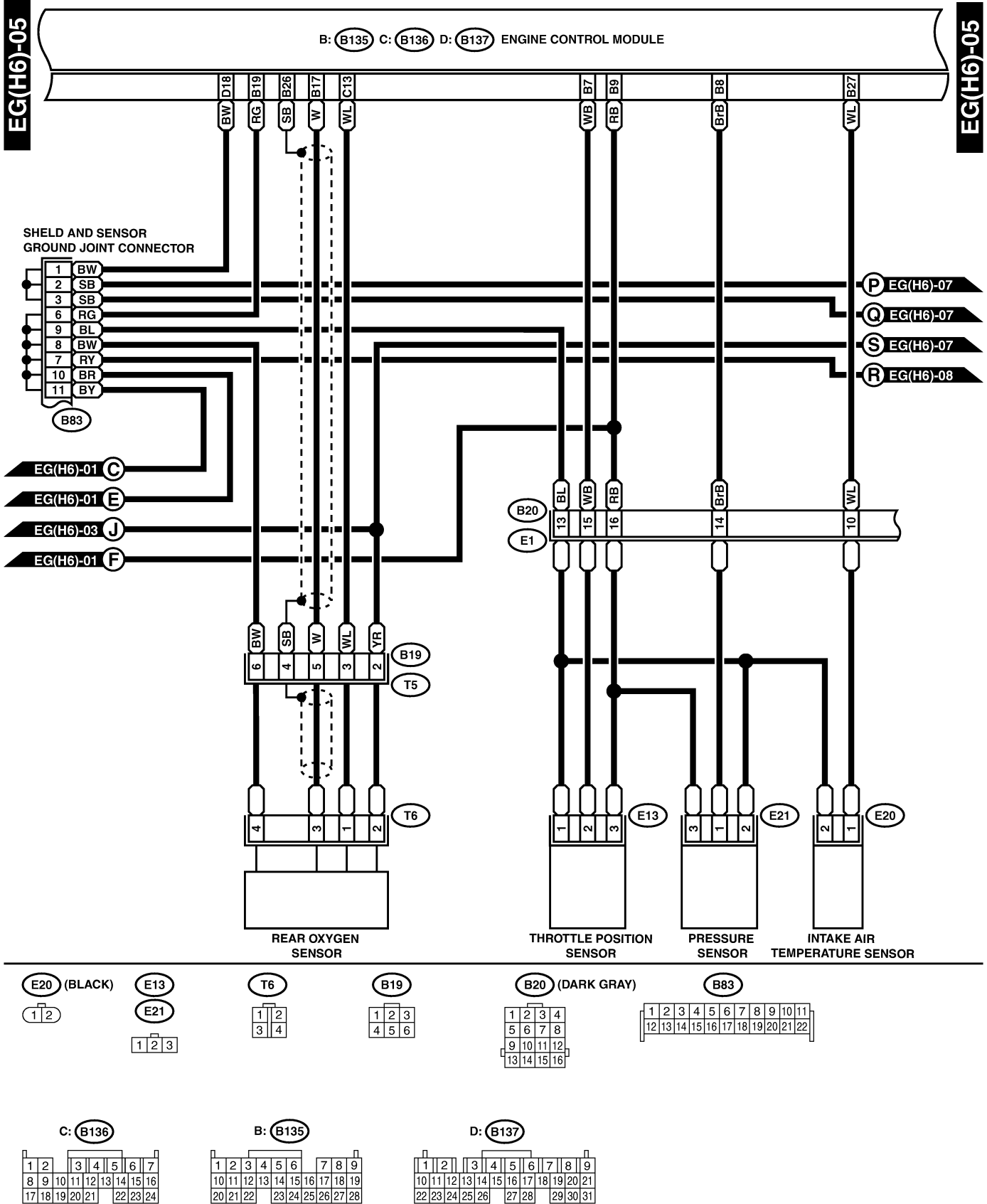
Wiring System



BU10-23D

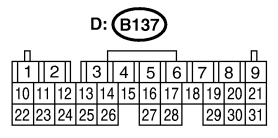
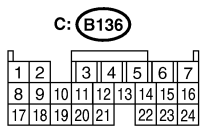
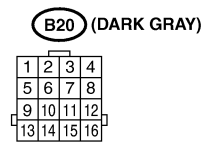
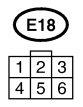
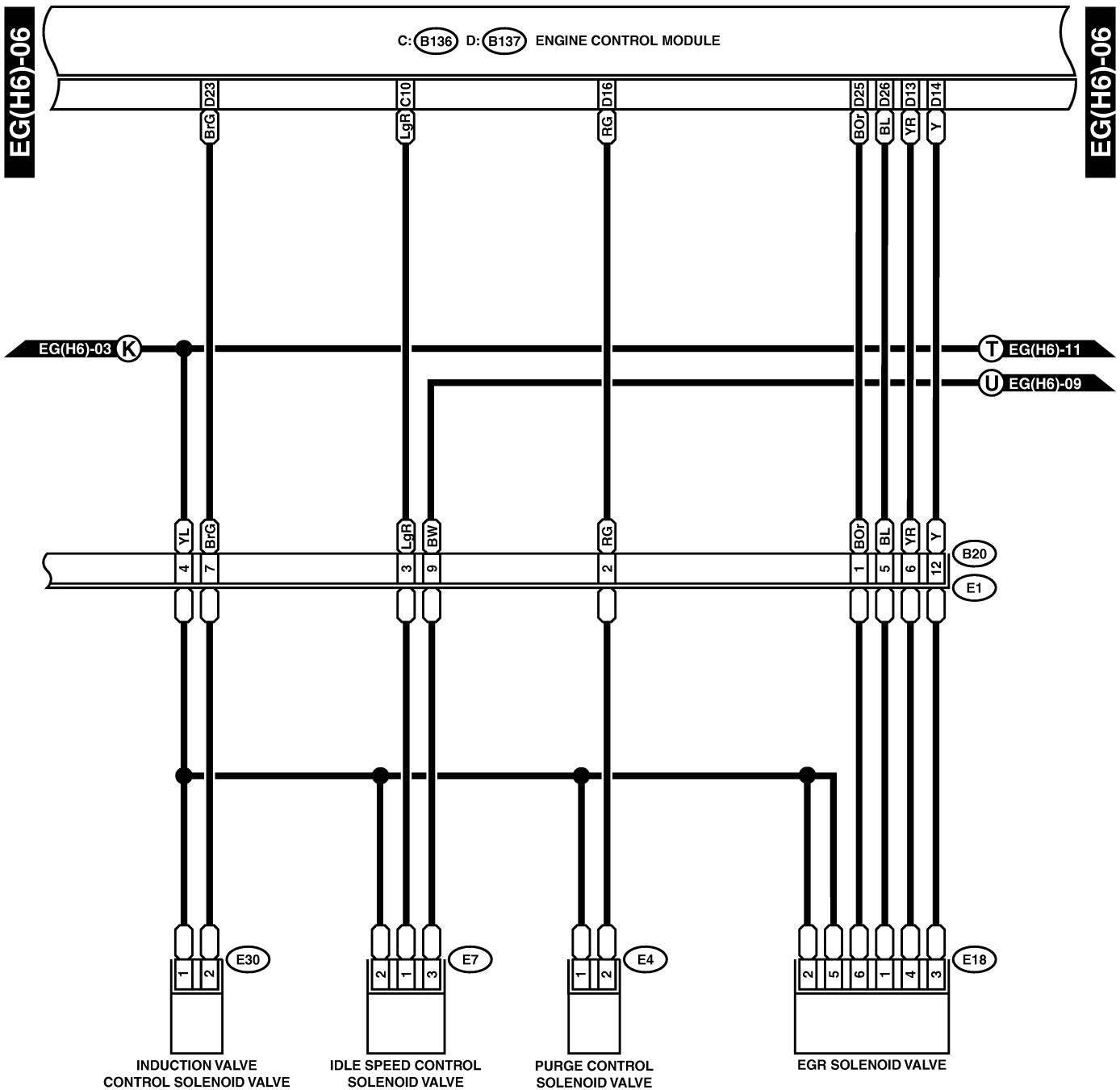
ENGINE ELECTRICAL SYSTEM

Wiring System



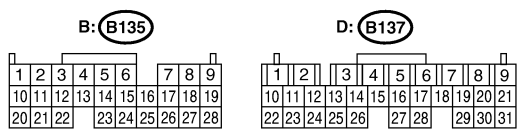
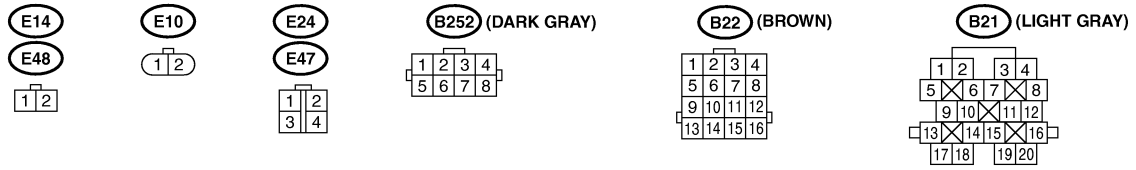
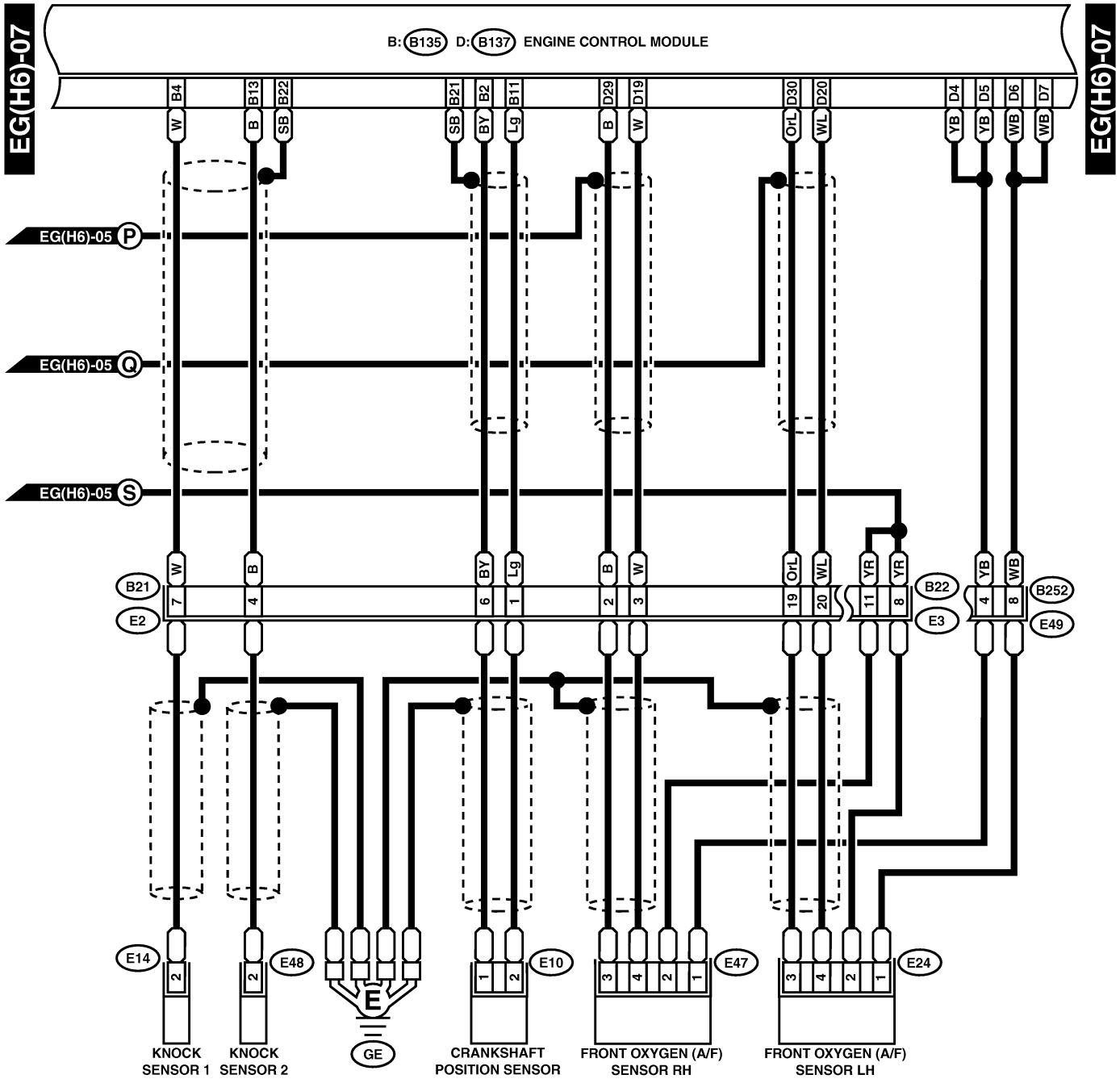
ENGINE ELECTRICAL SYSTEM

Wiring System



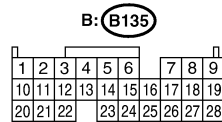
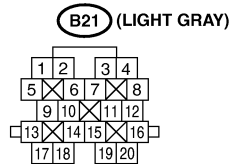
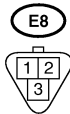
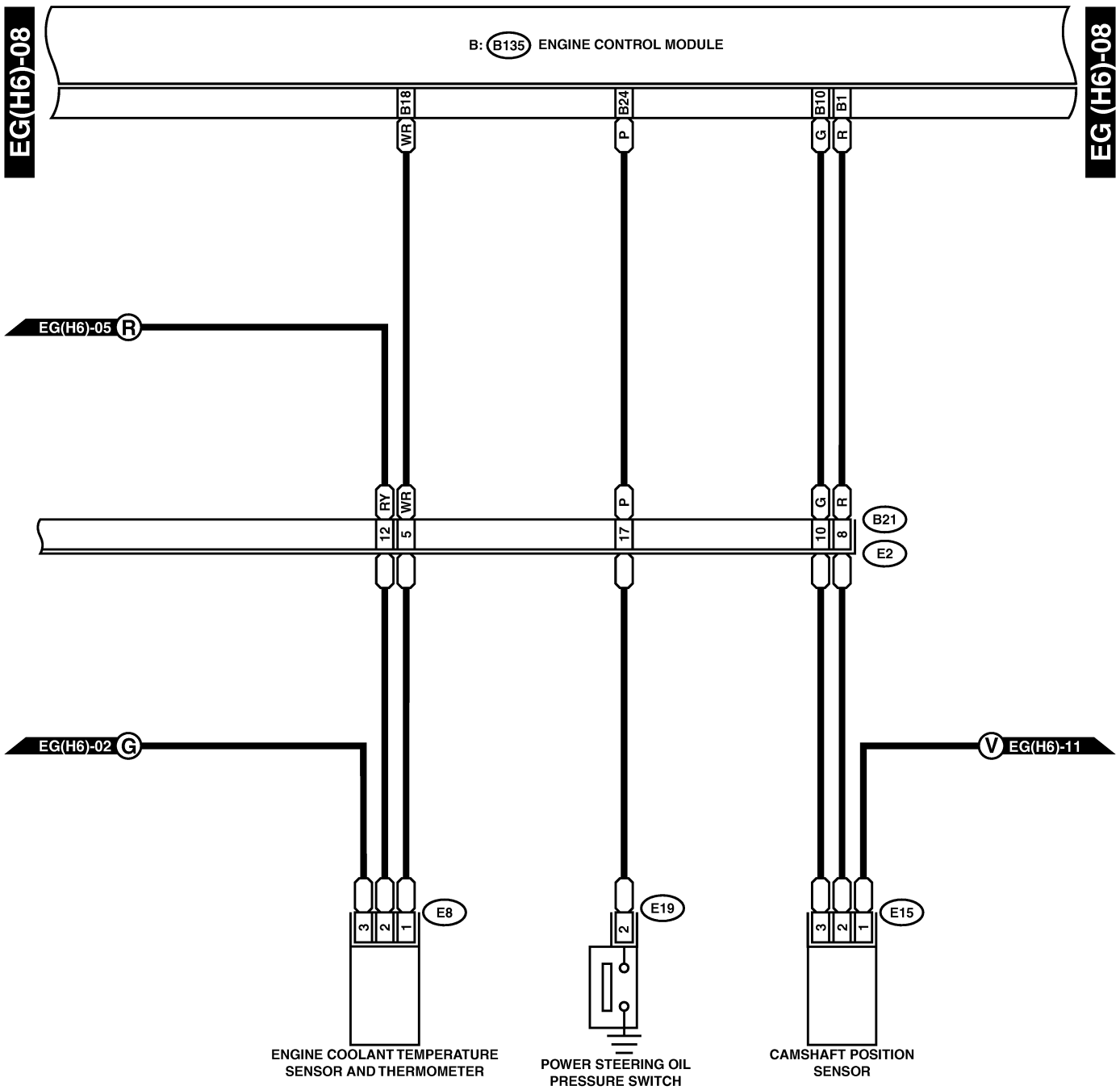
ENGINE ELECTRICAL SYSTEM

Wiring System



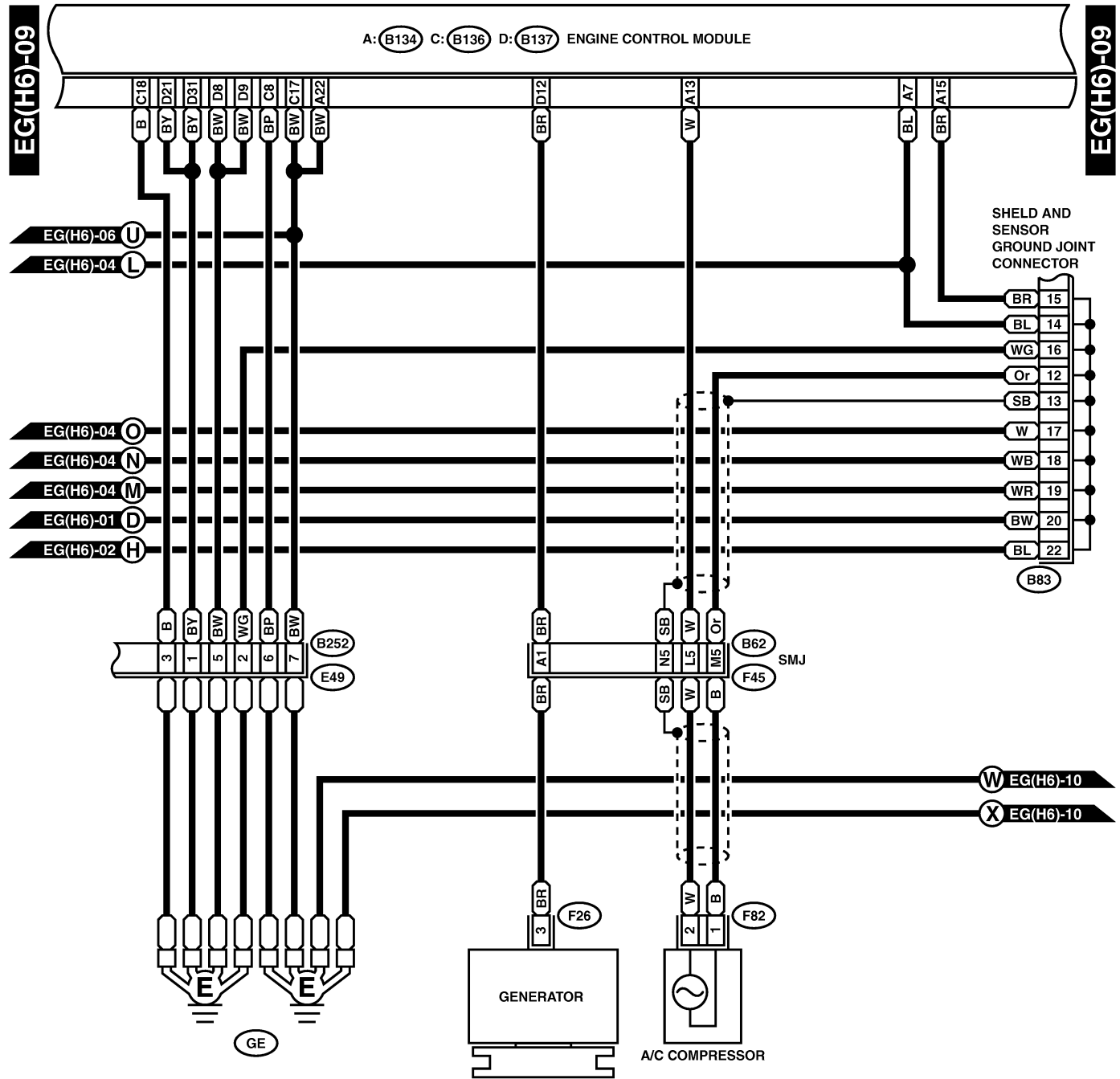
ENGINE ELECTRICAL SYSTEM

Wiring System



ENGINE ELECTRICAL SYSTEM

Wiring System

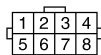


E26 (GREEN)

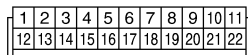
F82 (BLACK)



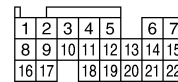
B252 (DARK GRAY)



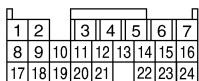
B83



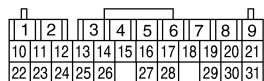
A: (B134)



C: (B136)

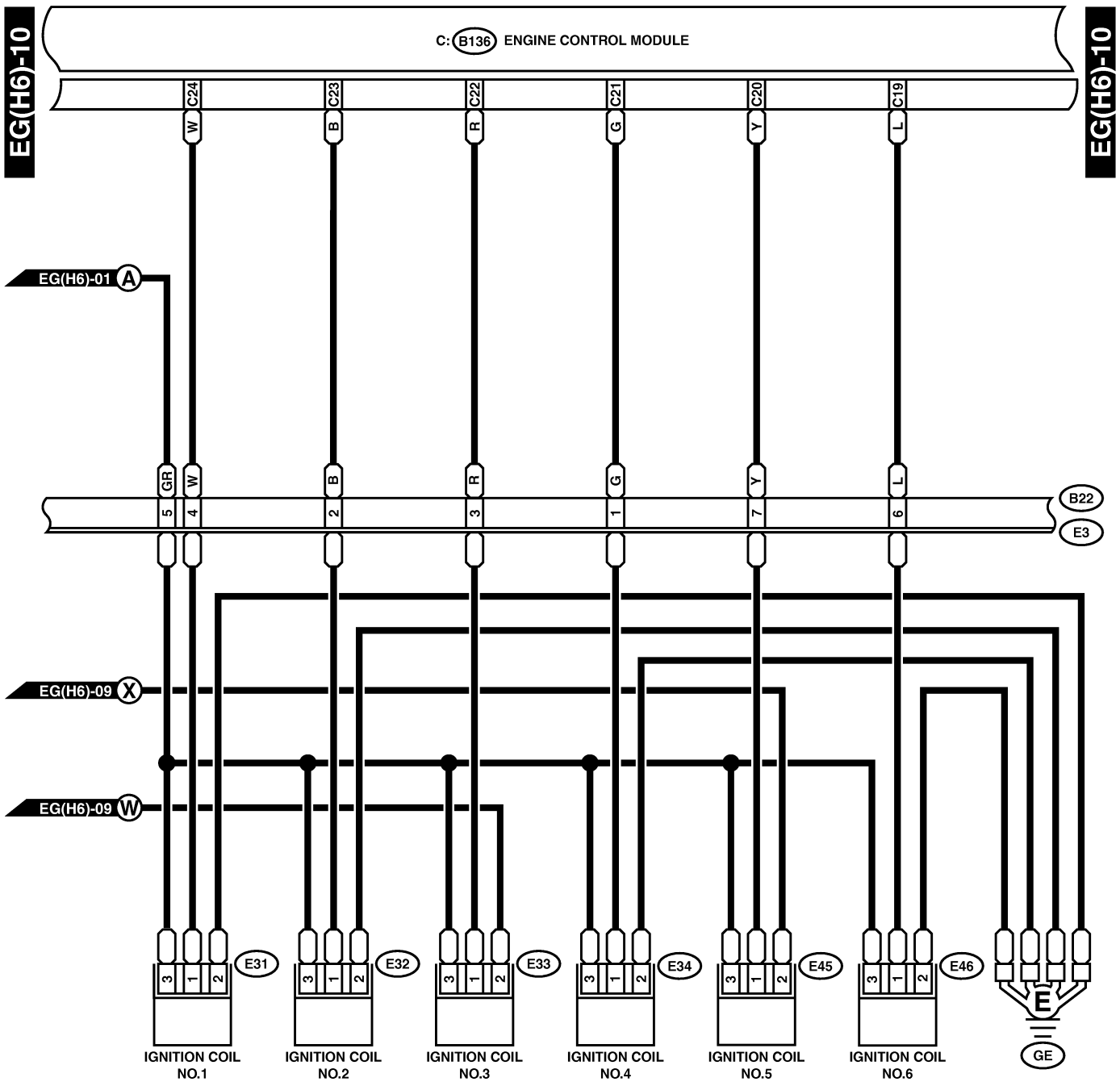


D: (B137)



ENGINE ELECTRICAL SYSTEM

Wiring System



(BLACK) E31 (BLACK) E34
 (BLACK) E32 (BLACK) E45
 (BLACK) E33 (BLACK) E46

1
2
3

B22 (BROWN)

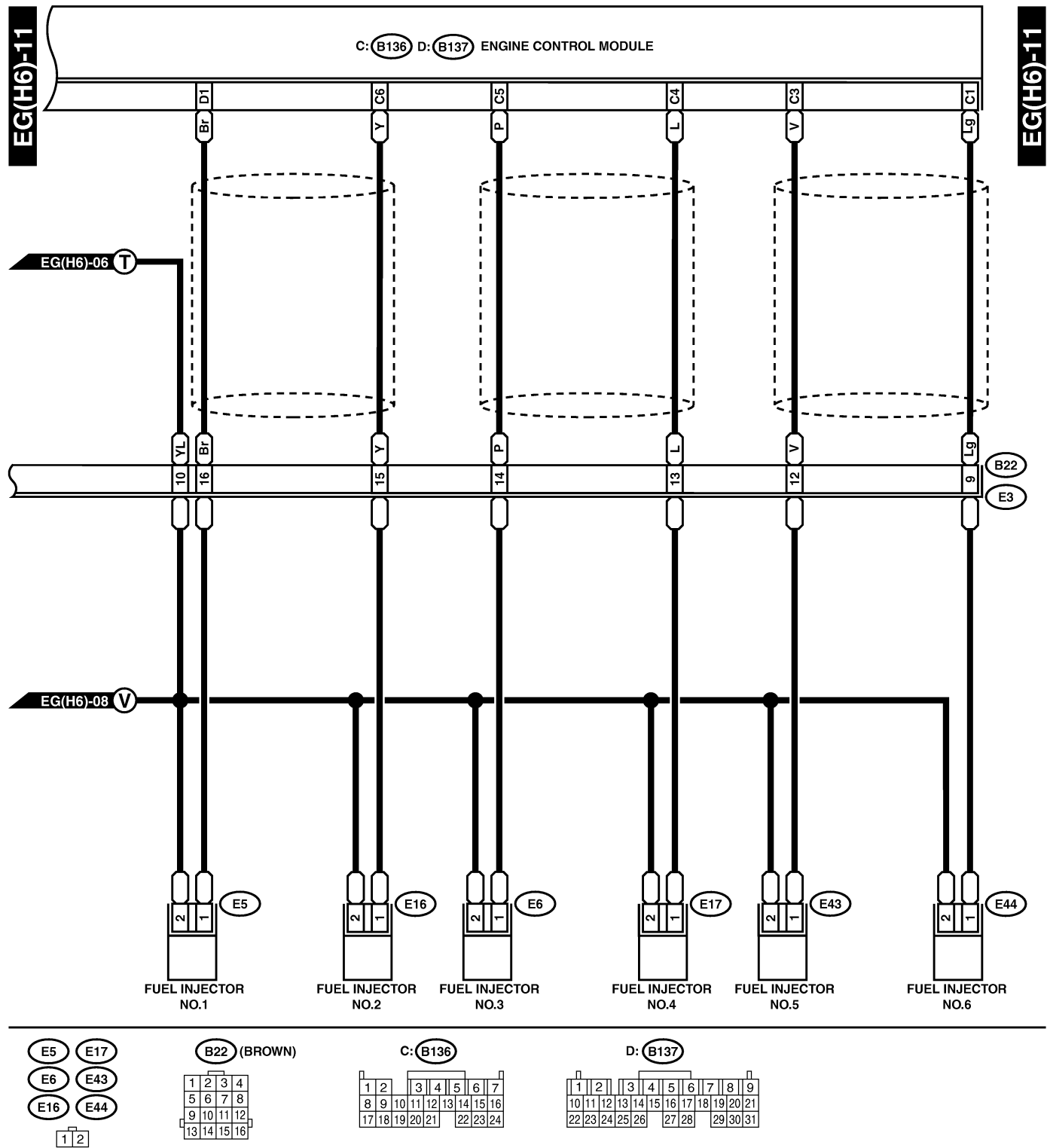
1	2	3	4
5	6	7	8
9	10	11	12
13	14	15	16

C: B136

1	2	3	4	5	6	7
8	9	10	11	12	13	14
15	16	17	18	19	20	21
22	23	24				

ENGINE ELECTRICAL SYSTEM

Wiring System



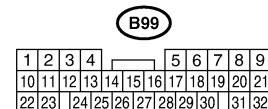
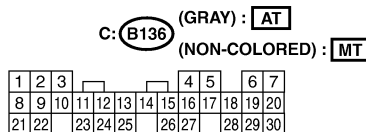
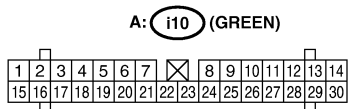
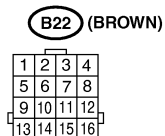
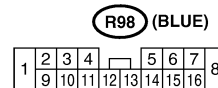
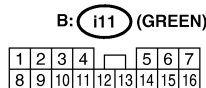
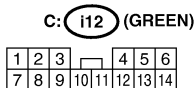
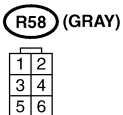
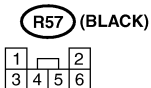
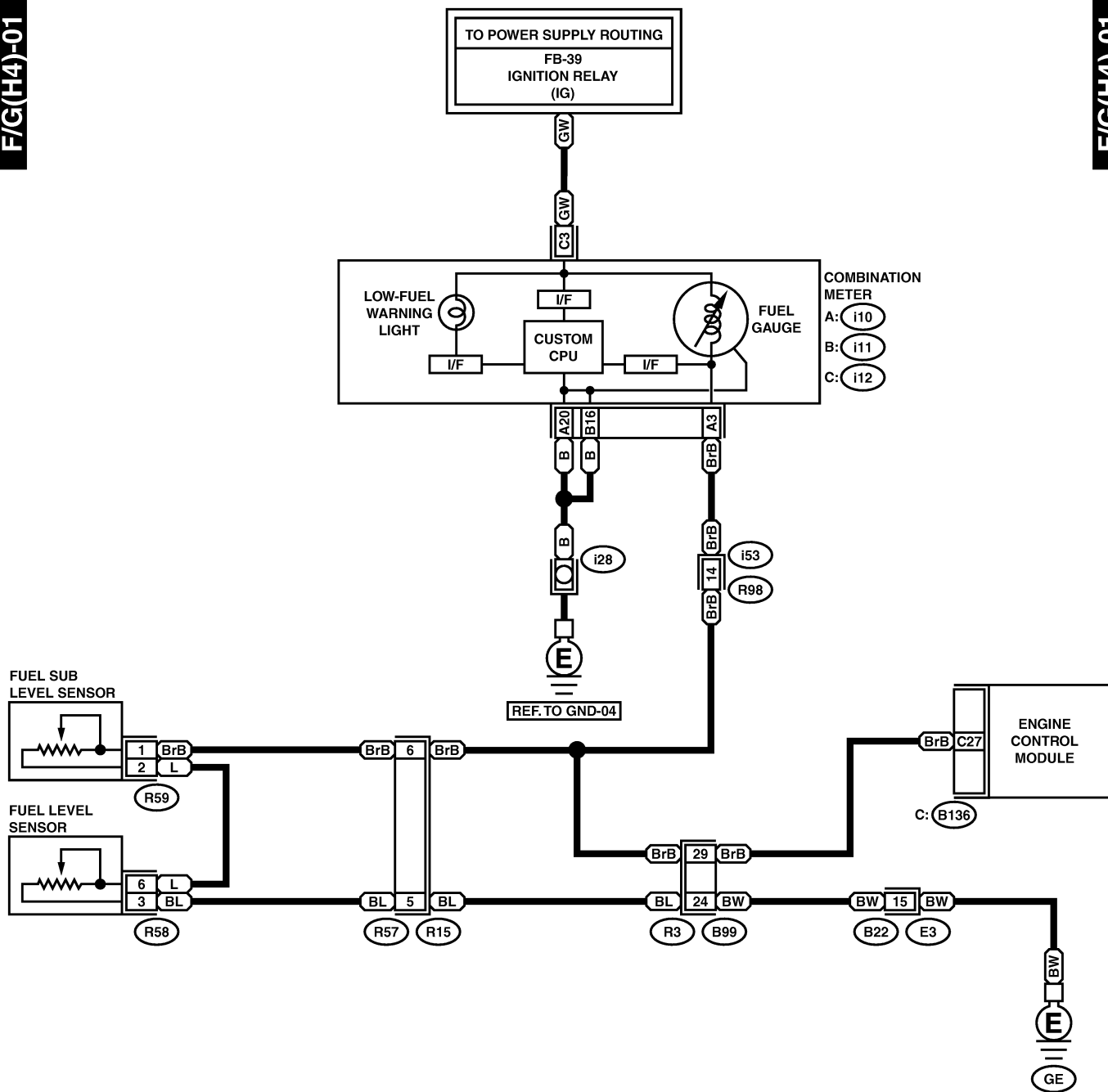
18. Fuel Gauge System S903046

A: SCHEMATIC S903046A21

1. 4-CYLINDER ENGINE MODEL S903046A2101

F/G(H4)-01

F/G(H4)-01



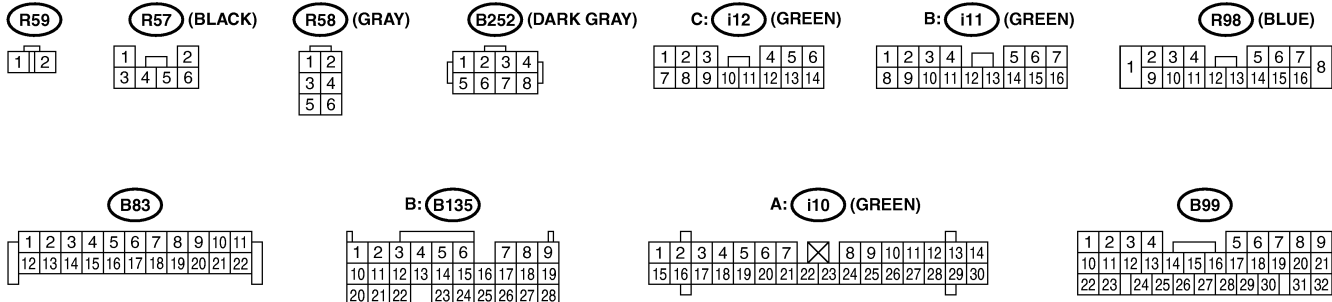
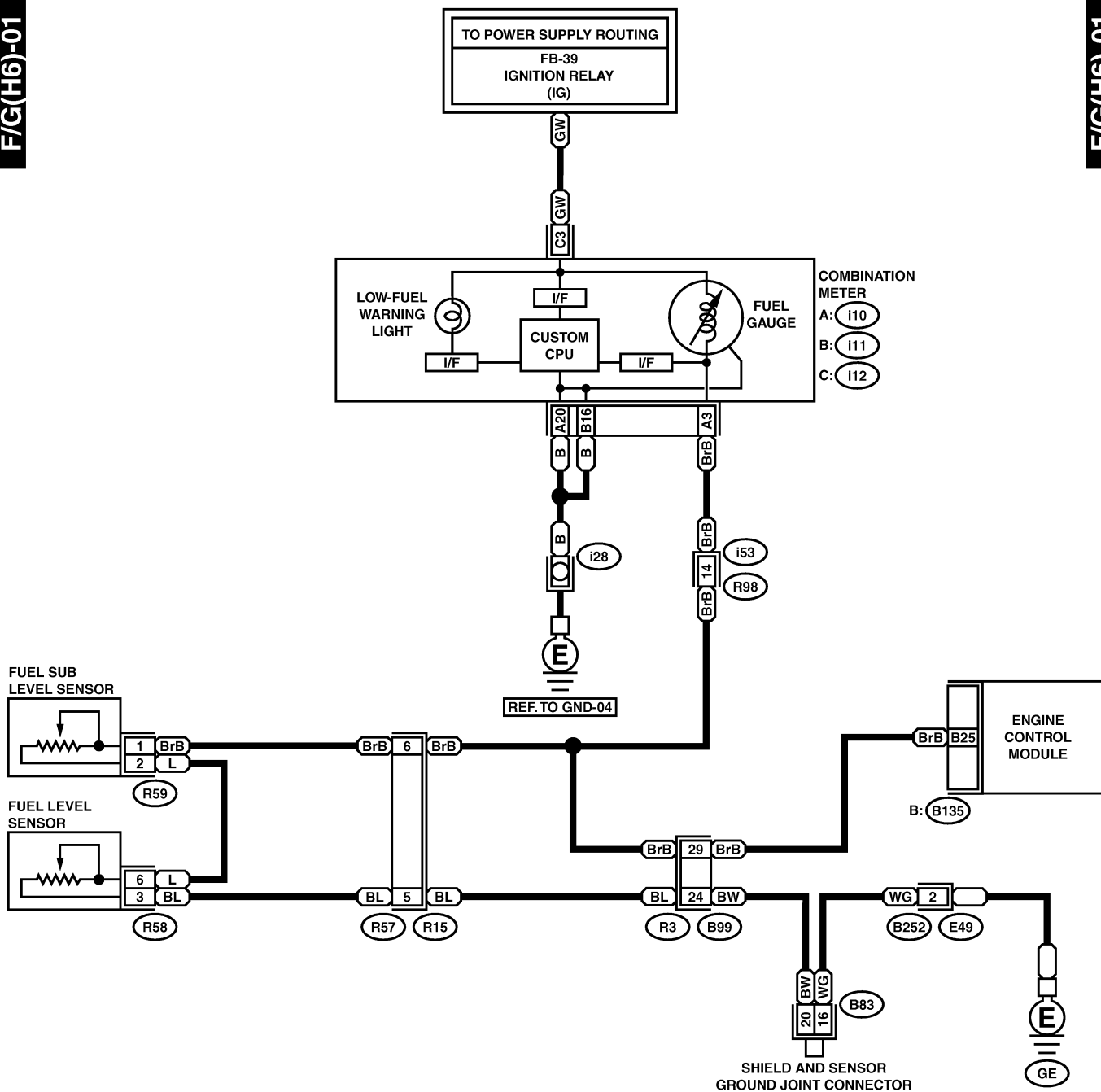
FUEL GAUGE SYSTEM

Wiring System

2. 6-CYLINDER ENGINE MODEL S903046A2102

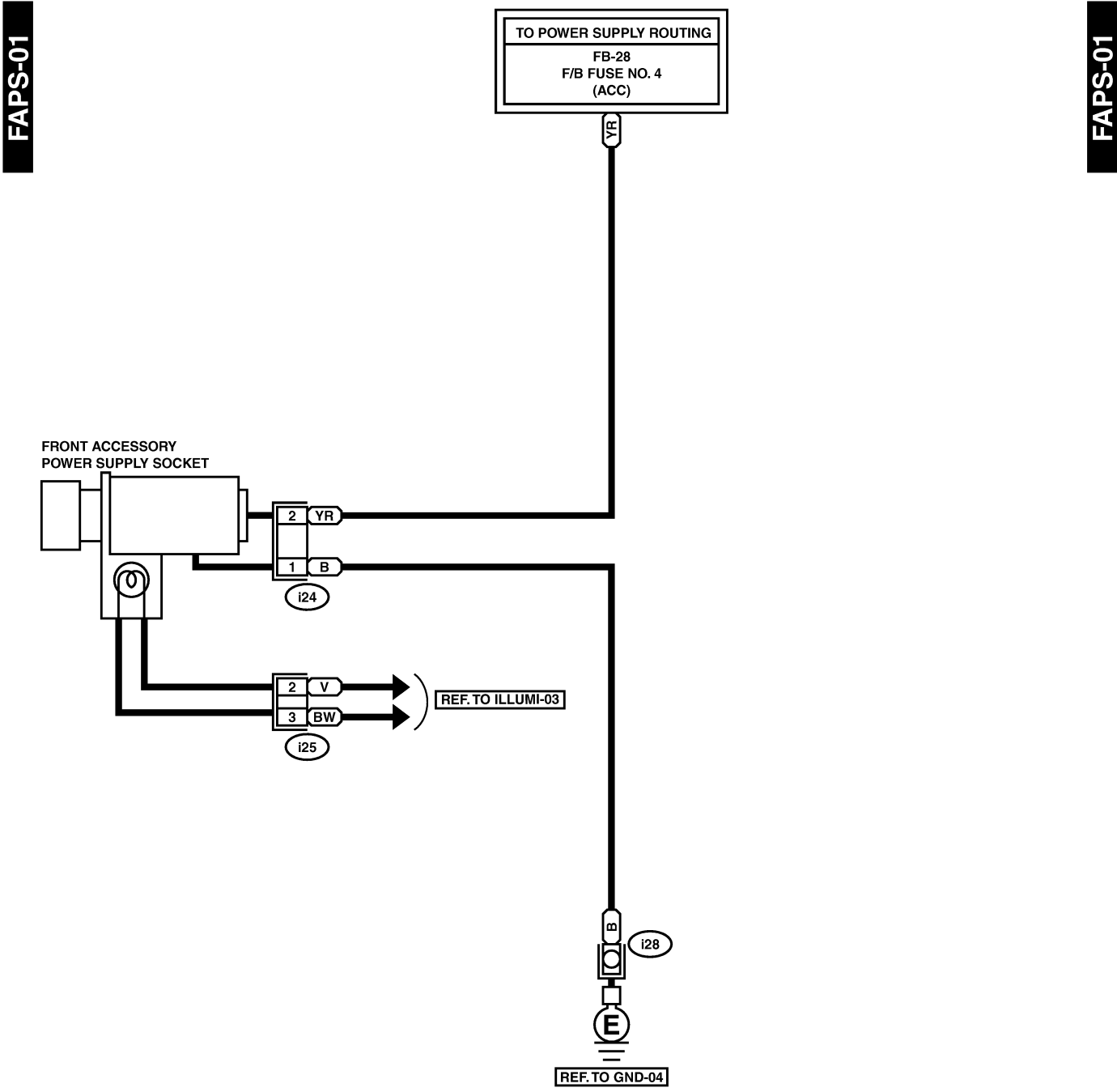
F/G(H6)-01

F/G(H6)-01



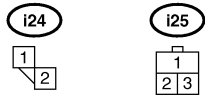
19. Front Accessory Power Supply System S903664

A: SCHEMATIC S903664A21



FAPS-01

FAPS-01



HORN SYSTEM

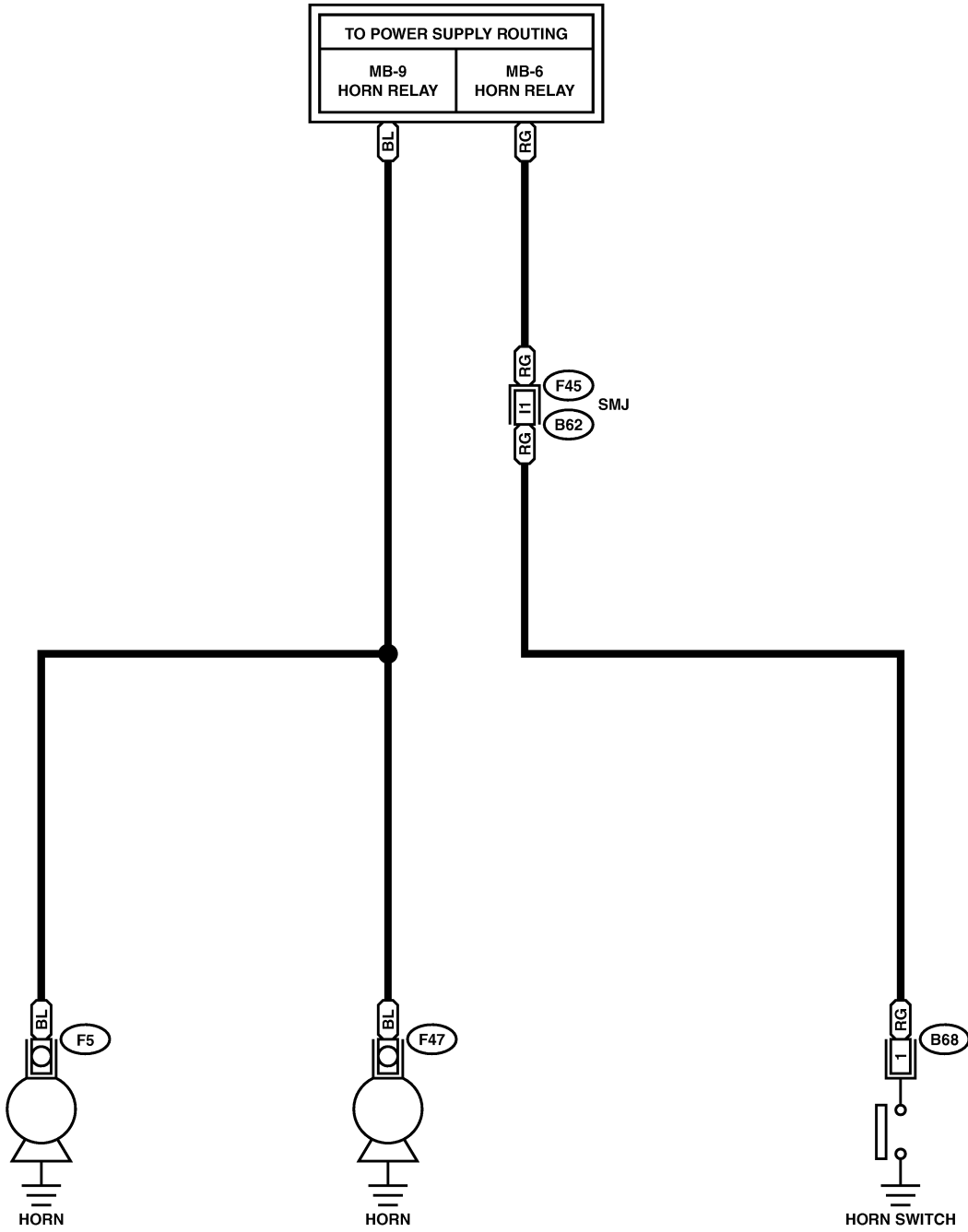
Wiring System

20. Horn System S903436

A: SCHEMATIC S903436A21

HORN-01

HORN-01

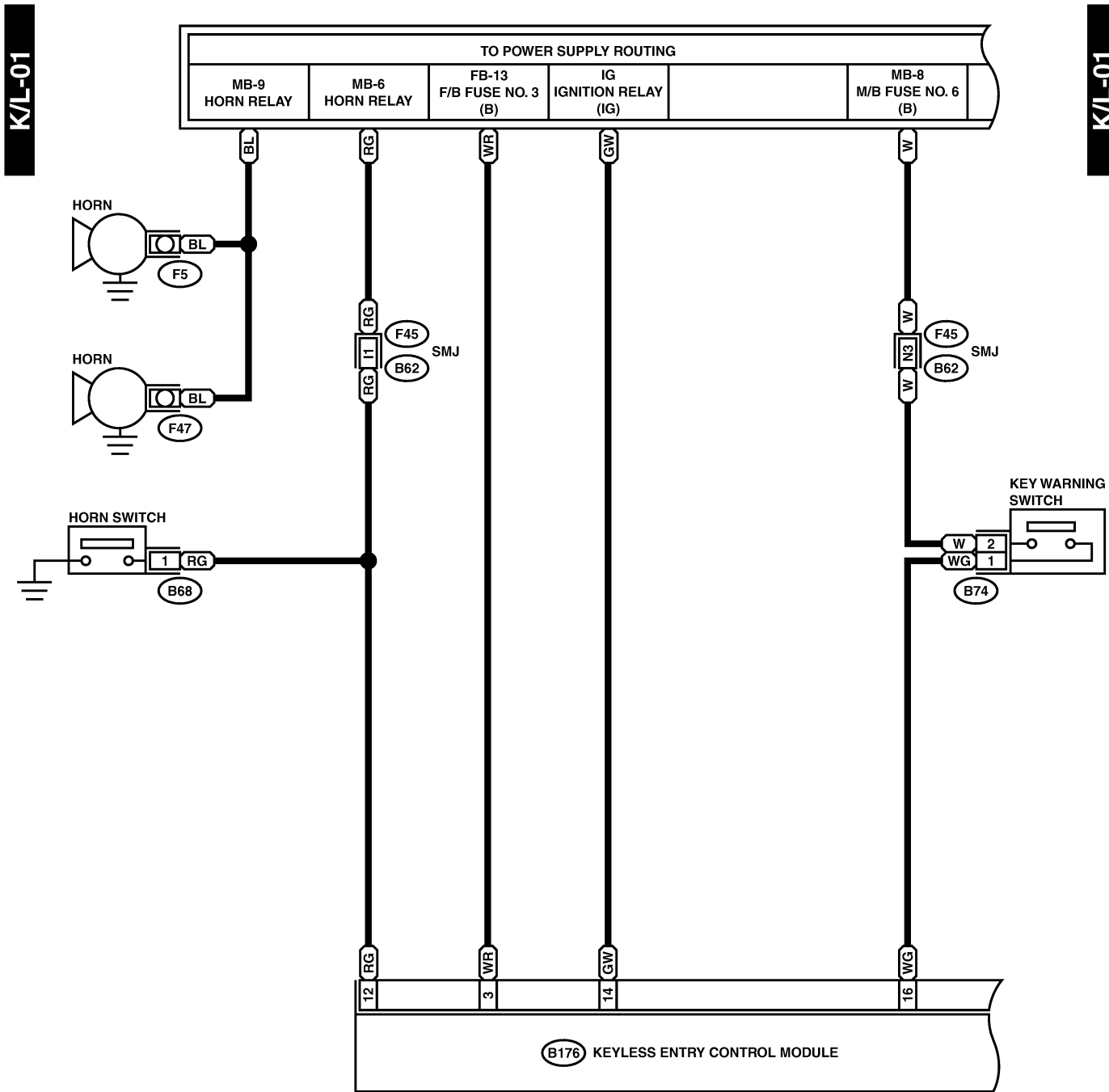


(B68) (BLACK)

1	2
3	4

21. Keyless Entry System S903345

A: SCHEMATIC S903345A21



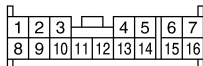
(B74) (BLACK)



(B68) (BLACK)

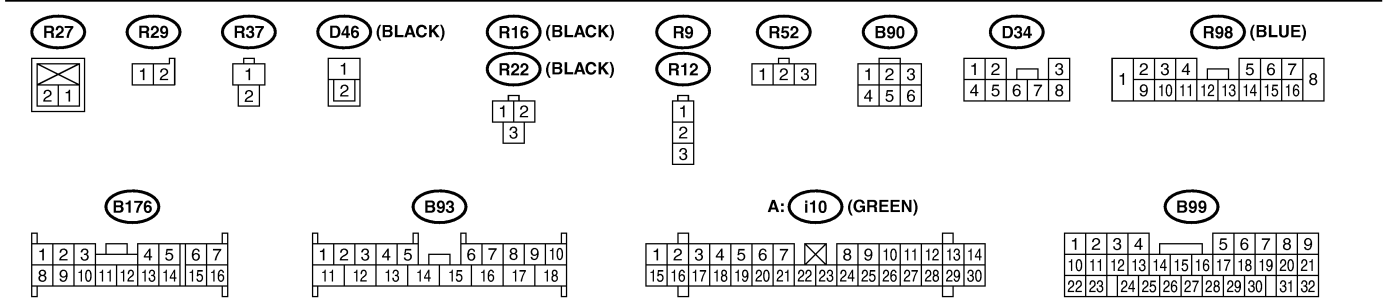
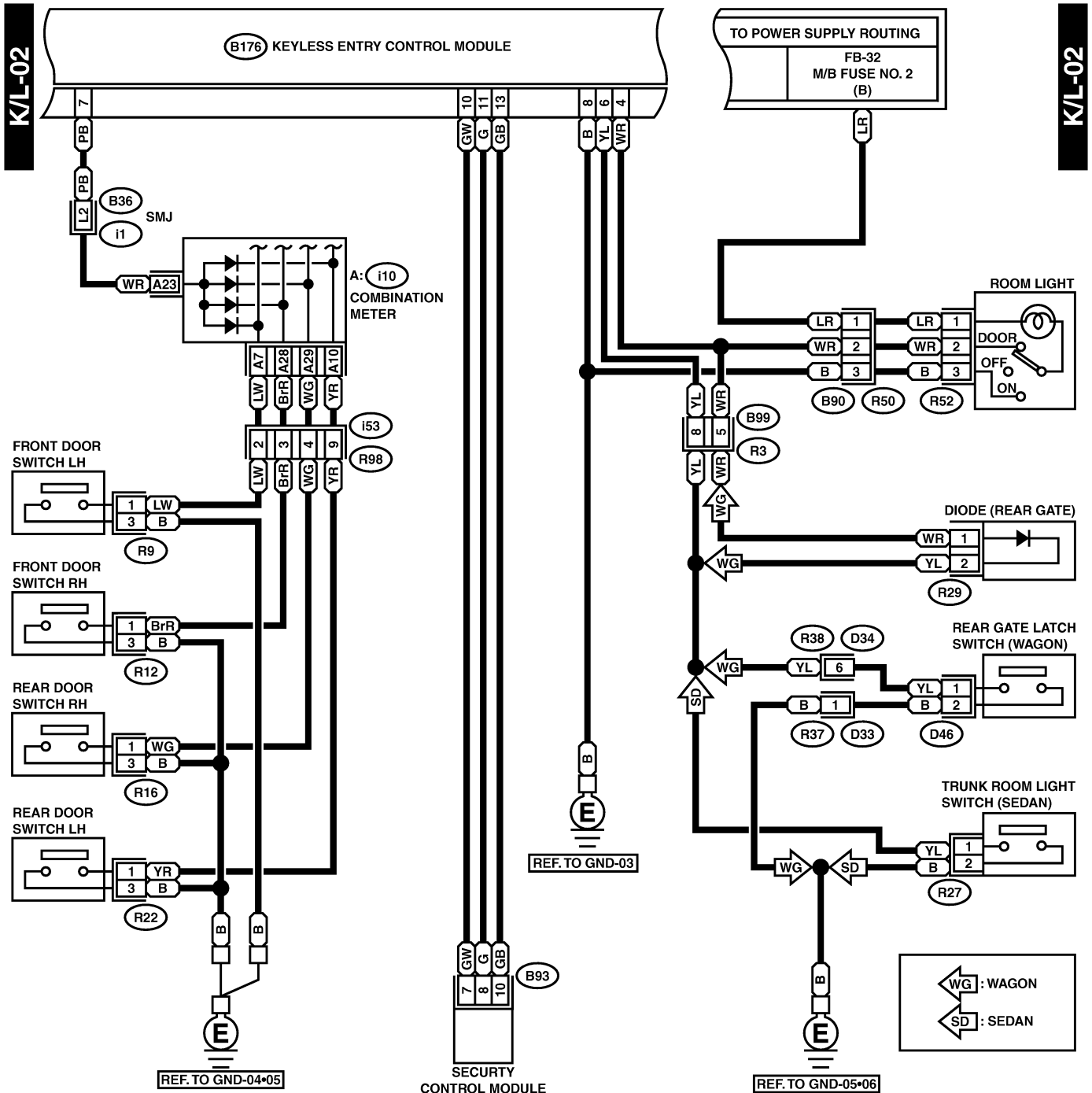


(B176)



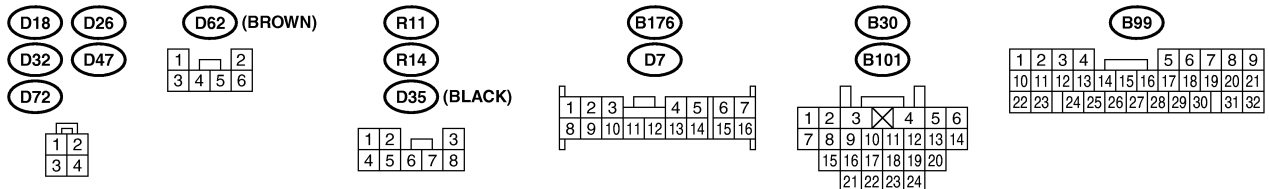
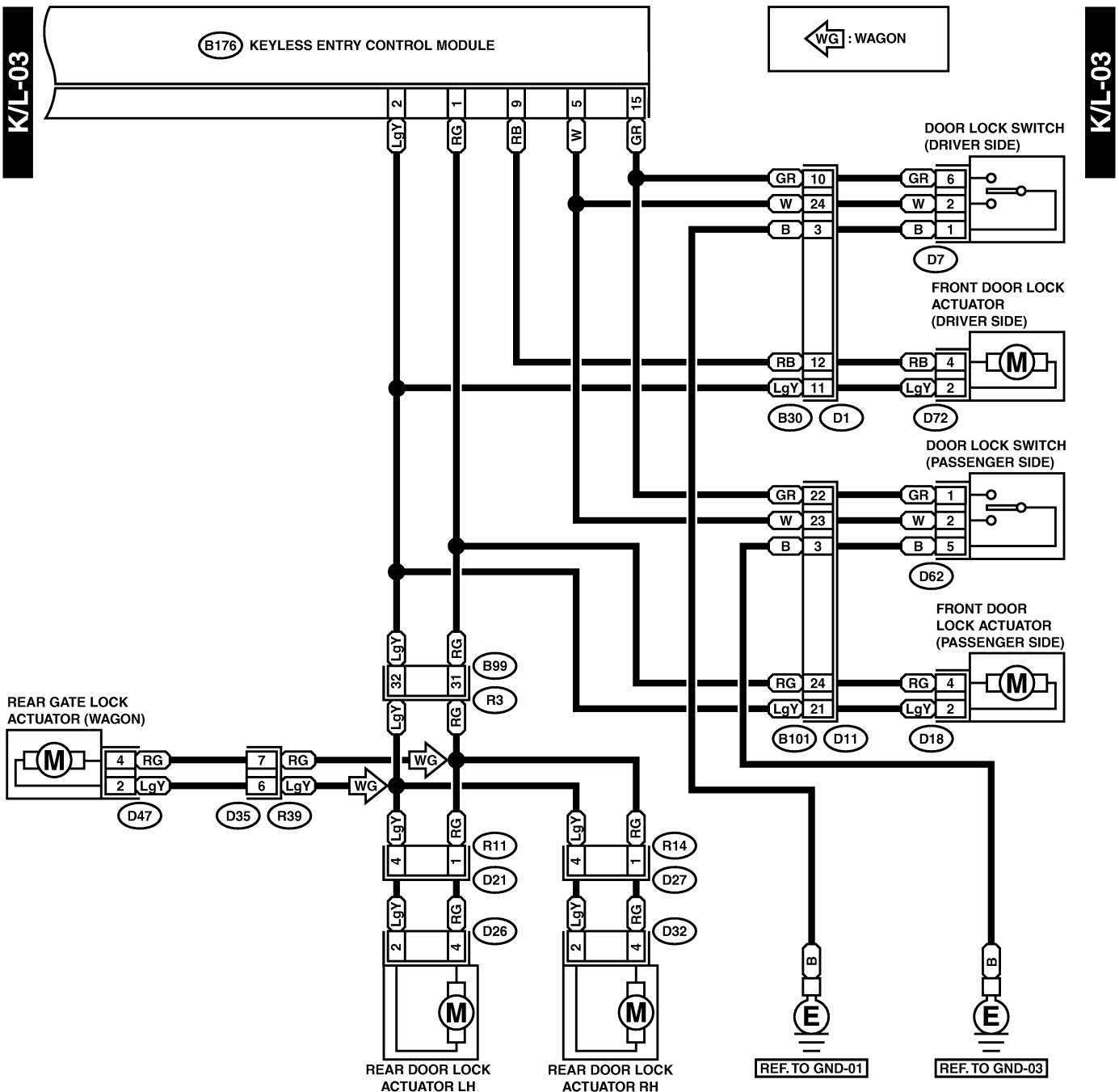
KEYLESS ENTRY SYSTEM

Wiring System



KEYLESS ENTRY SYSTEM

Wiring System

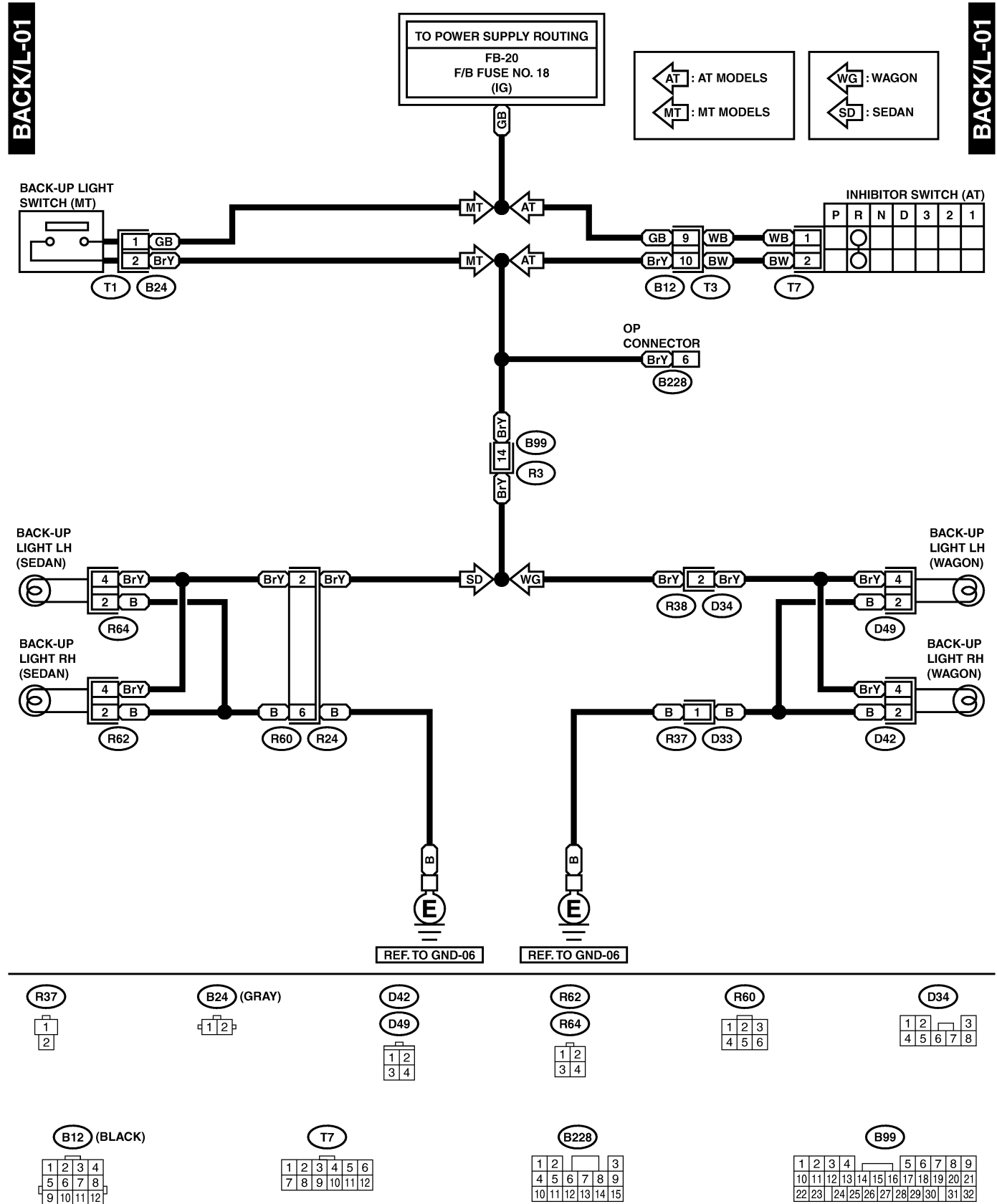


BACK-UP LIGHT SYSTEM

Wiring System

22. Back-up Light System S903414

A: SCHEMATIC S903414A21

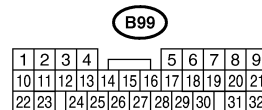
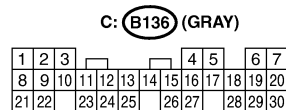
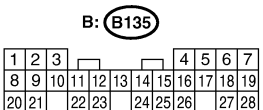
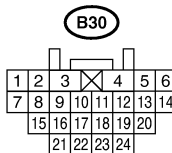
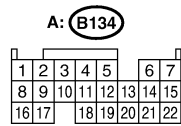
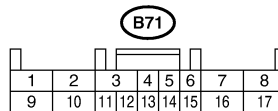
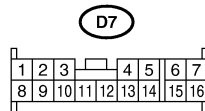
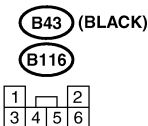
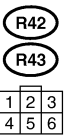
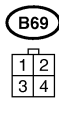
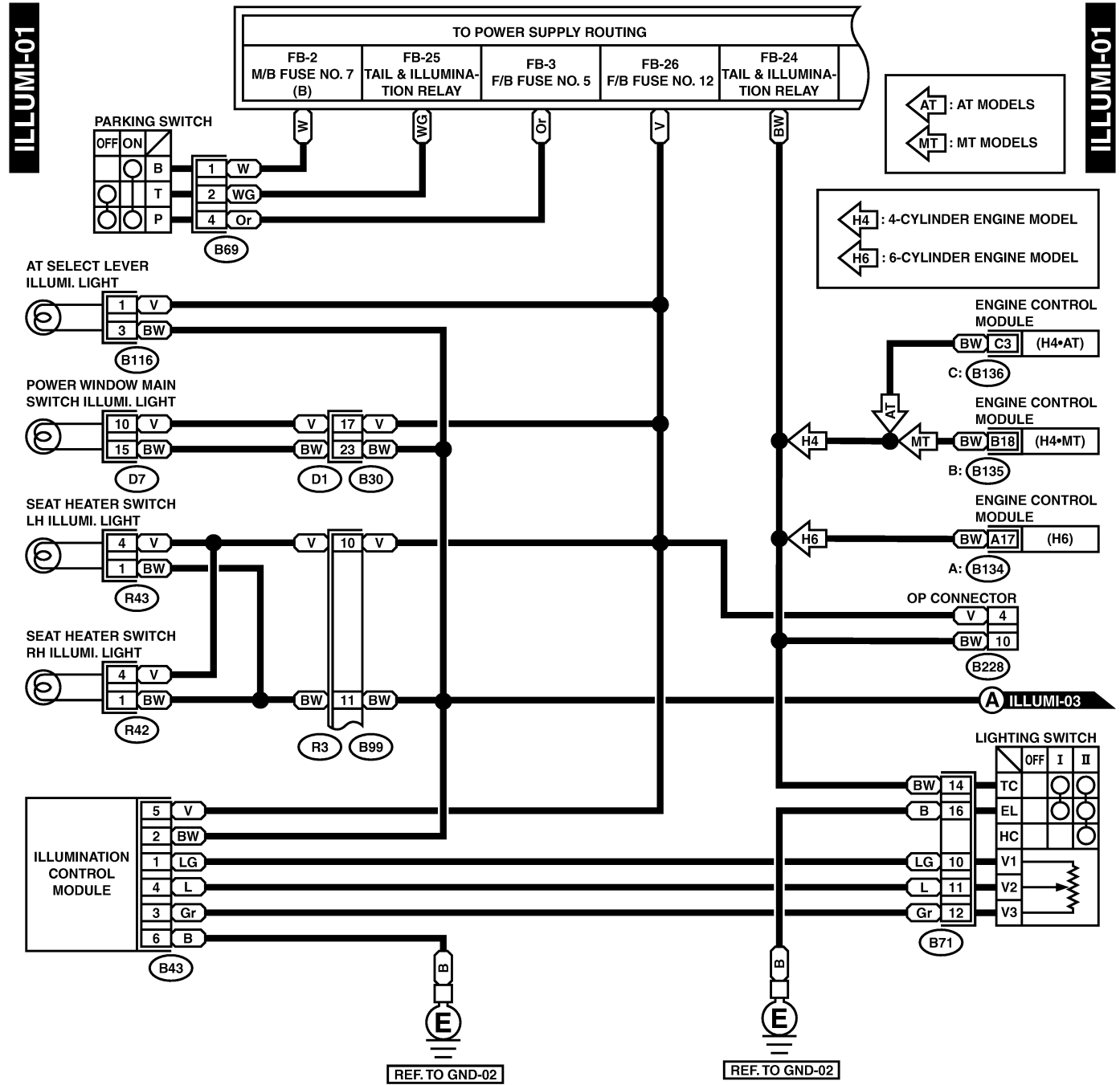


23. Clearance Light and Illumination Light System

S903489

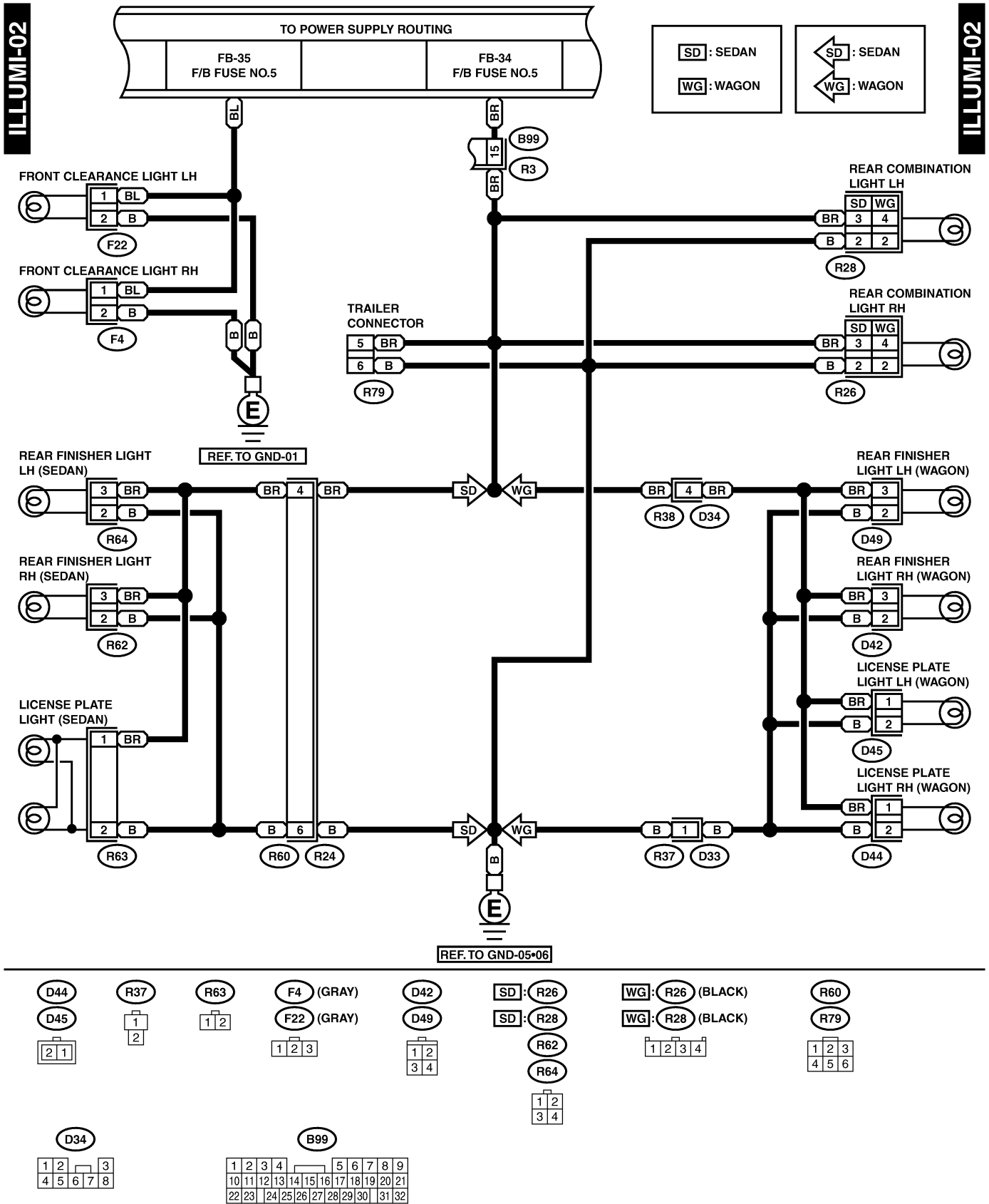
A: SCHEMATIC

S903489A21



CLEARANCE LIGHT AND ILLUMINATION LIGHT SYSTEM

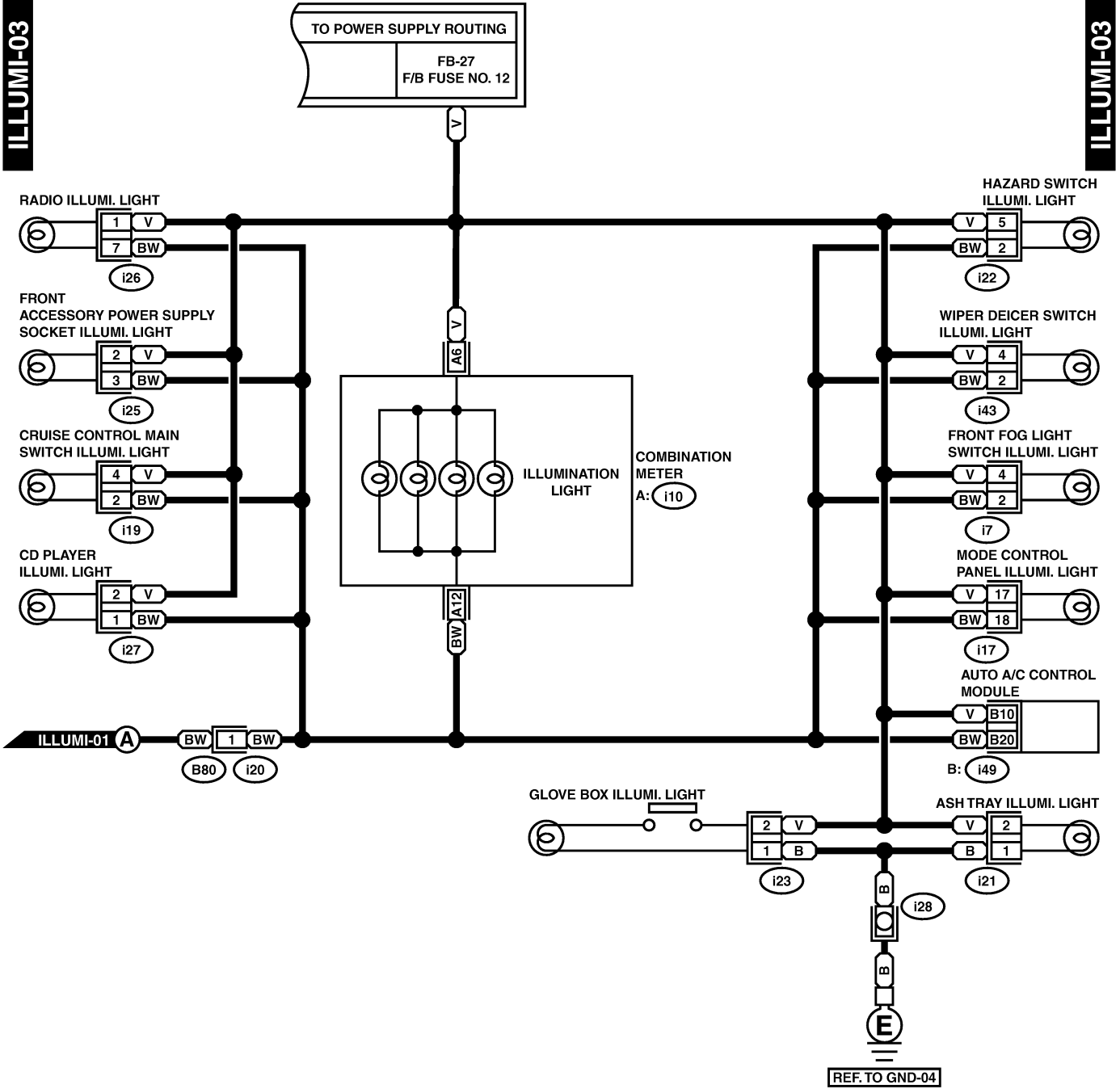
Wiring System



BU21-21B

CLEARANCE LIGHT AND ILLUMINATION LIGHT SYSTEM

Wiring System



REF. TO GND-04

i21 (BLACK)



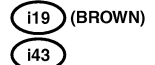
i23



i25



i7 (YELLOW)



i19 (BROWN)



i43

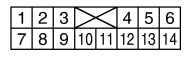
i20



i22

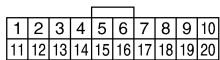


i26

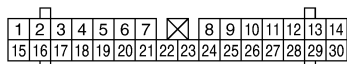


i17 (GRAY)

B: i49 (GRAY)



A: i30 (GREEN)



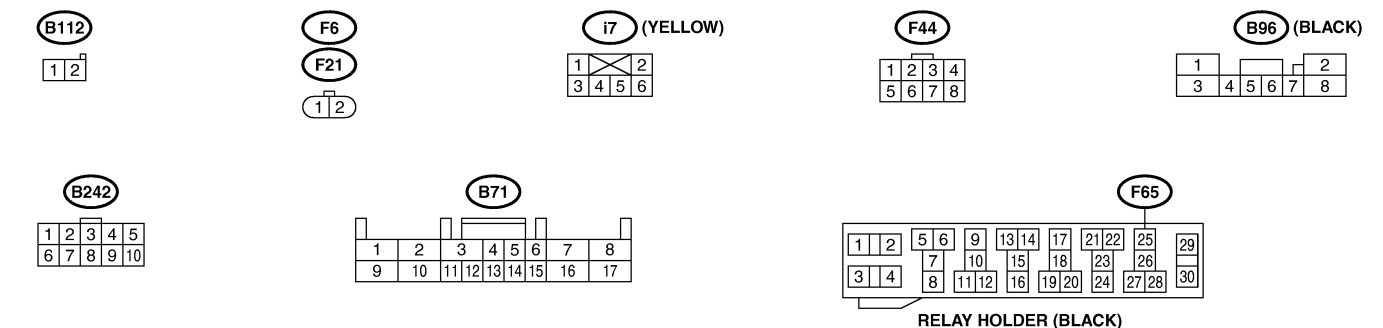
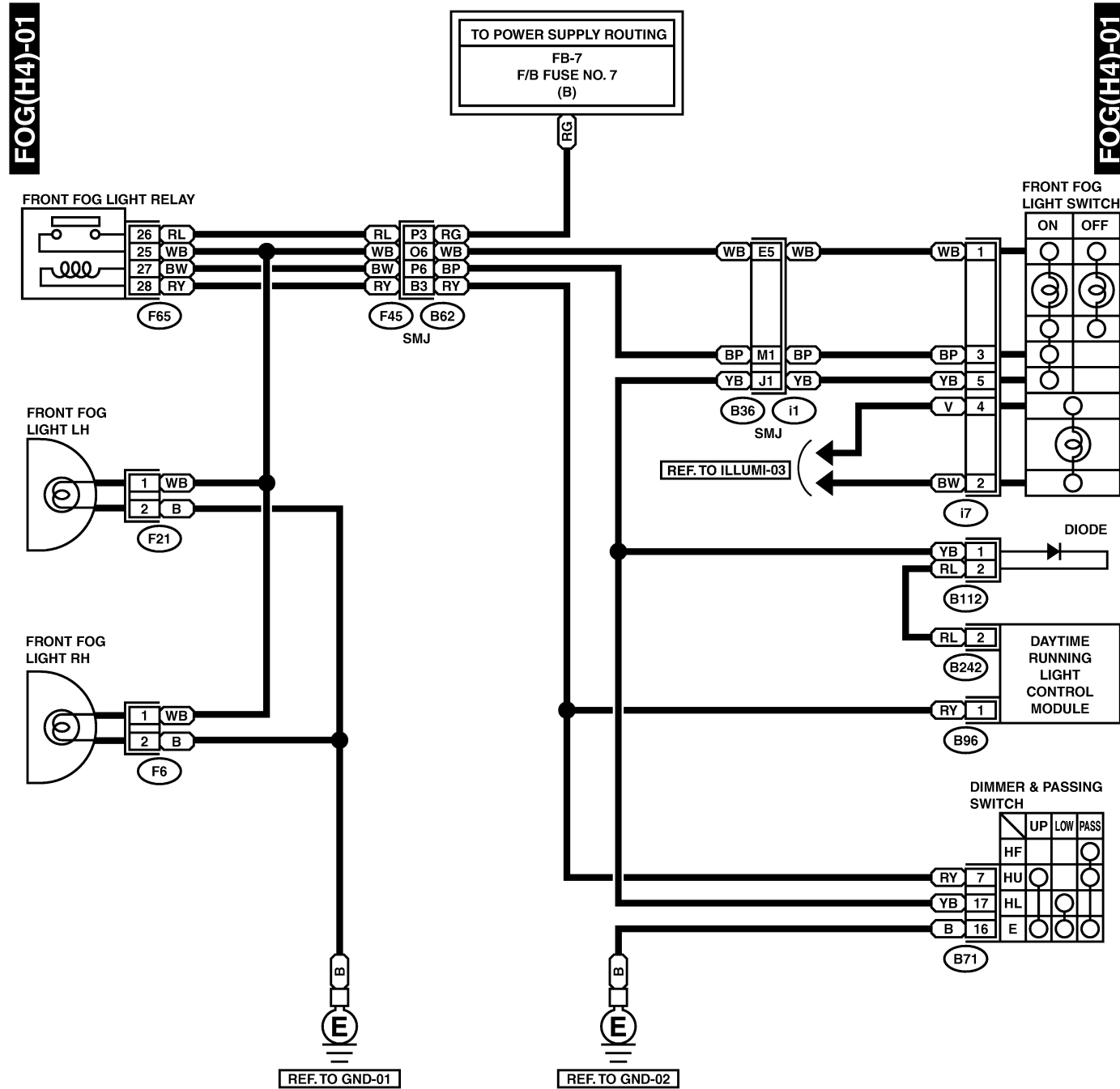
FRONT FOG LIGHT SYSTEM

Wiring System

24. Front Fog Light System S903473

A: SCHEMATIC S903473A21

1. 4-CYLINDER ENGINE MODEL S903473A2103



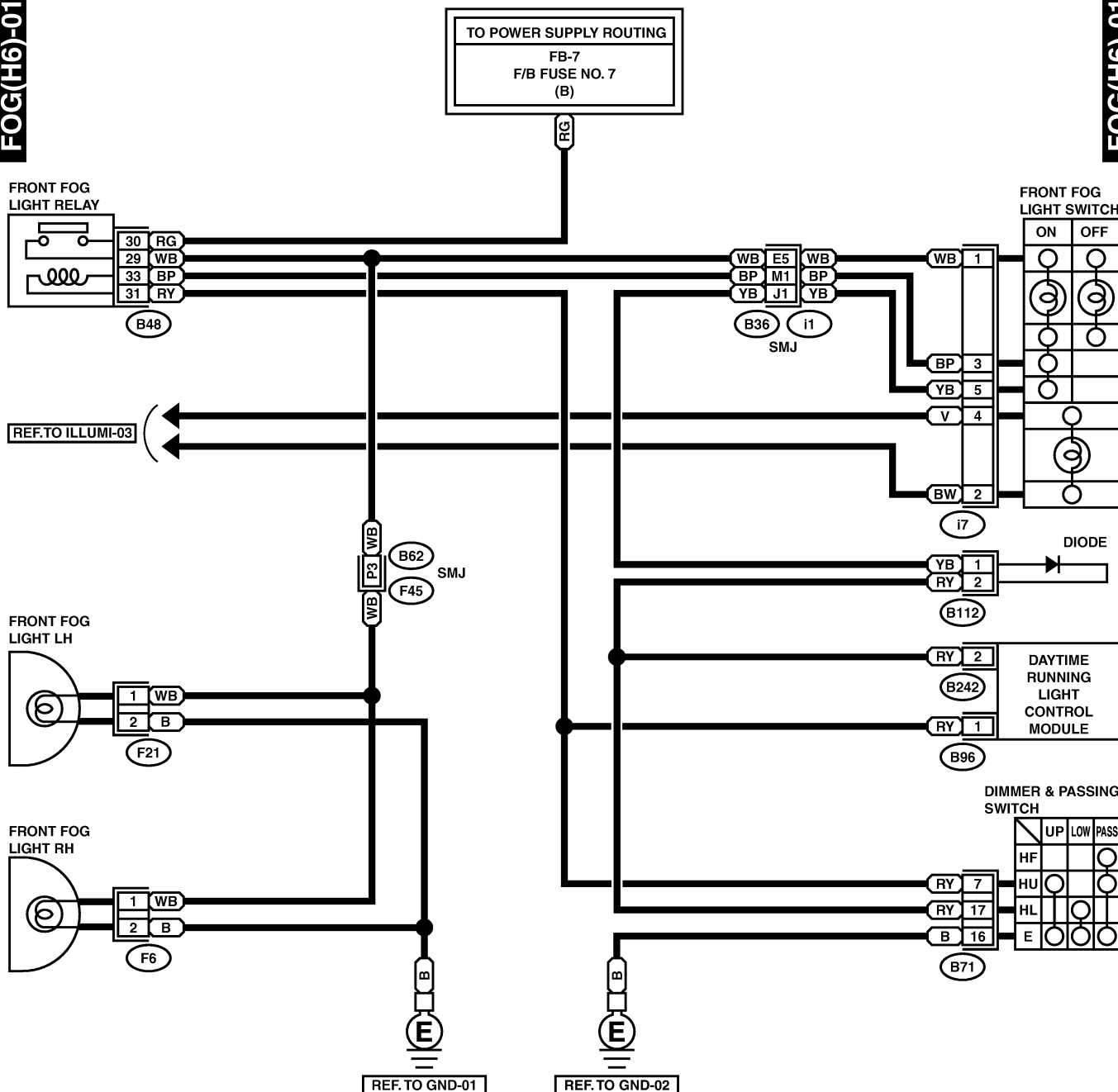
FRONT FOG LIGHT SYSTEM

Wiring System

2. 6-CYLINDER ENGINE MODEL S903473A2104

FOG(H6)-01

FOG(H6)-01



B112



F6



F21



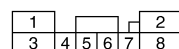
i7 (YELLOW)



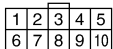
F44



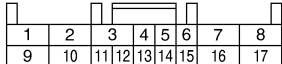
B96 (BLACK)



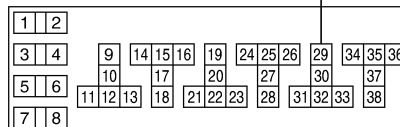
B242



B71



B48



RELAY BLOCK (BLACK)

HEADLIGHT SYSTEM

Wiring System

25. Headlight System

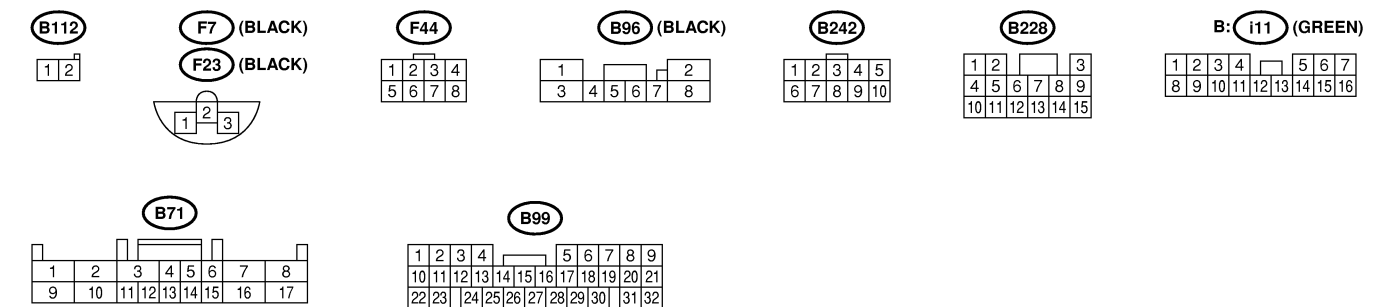
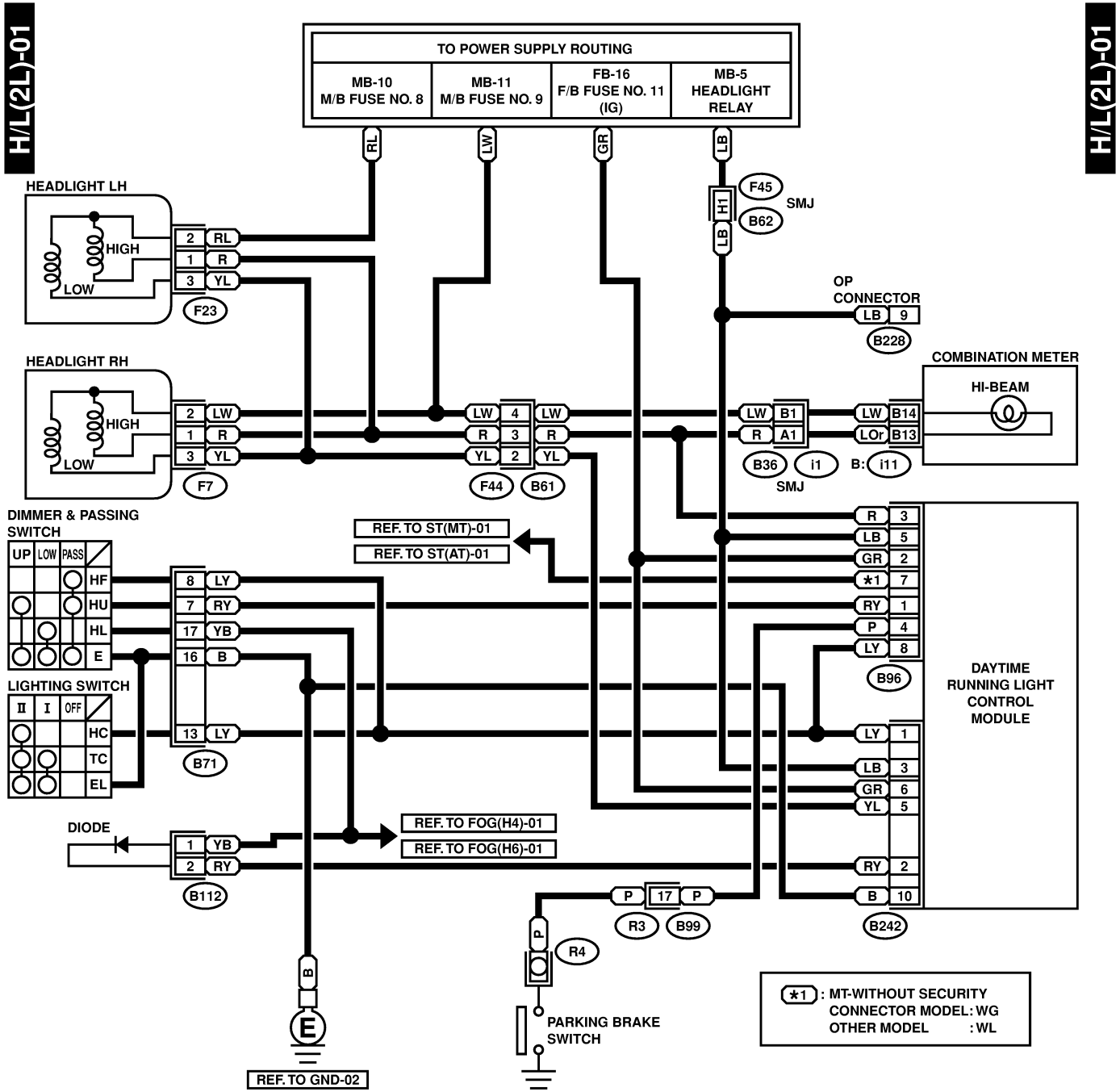
S903474

A: SCHEMATIC

S903474A21

1. 2-LIGHT MODEL

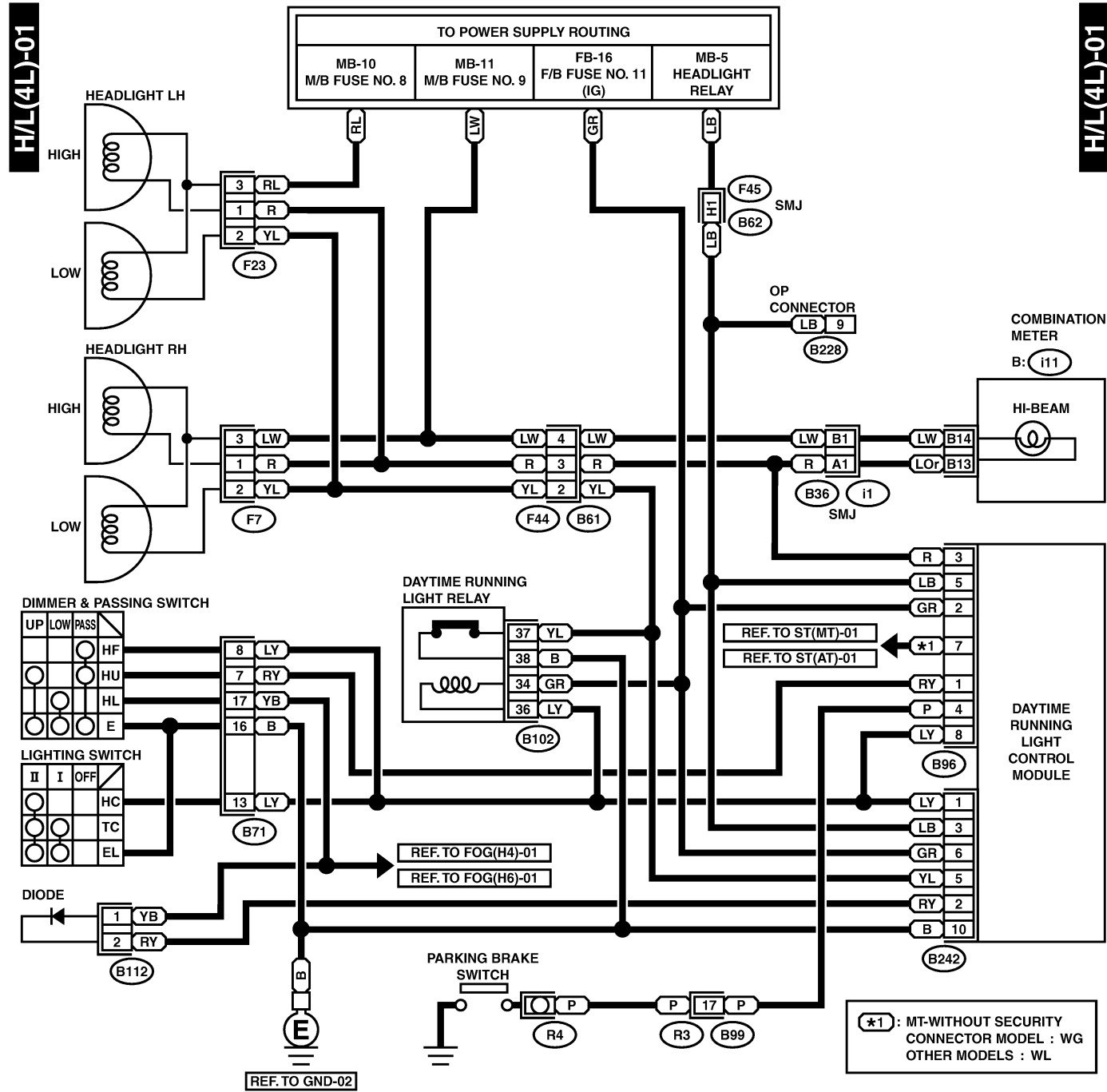
S903474A2103



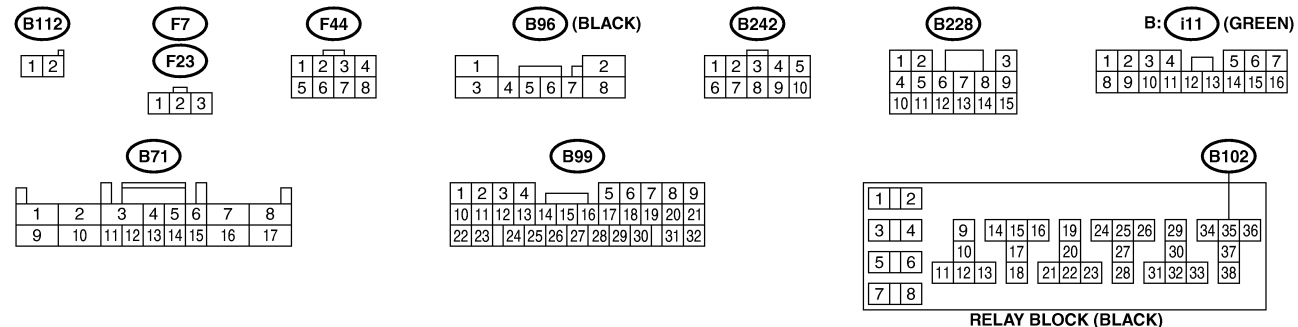
HEADLIGHT SYSTEM

Wiring System

2. 4-LIGHT MODEL S903474A2104

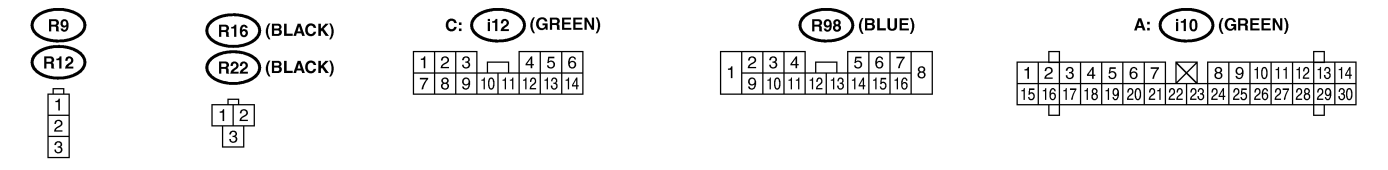
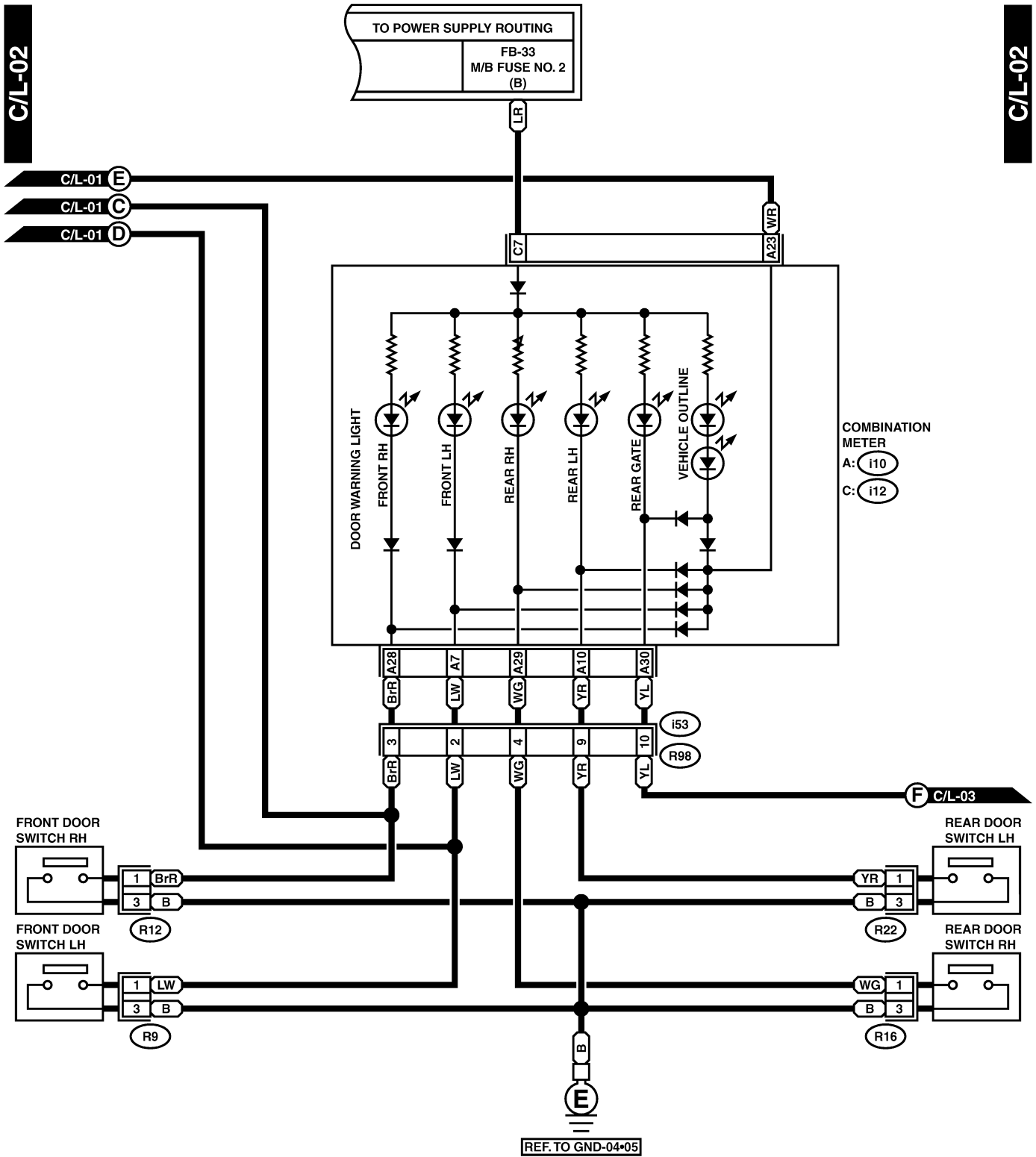


*1 : MT-WITHOUT SECURITY CONNECTOR MODEL : WG
OTHER MODELS : WL



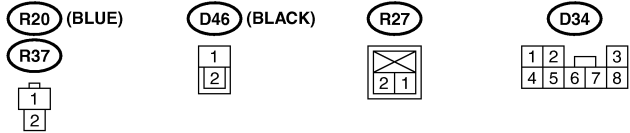
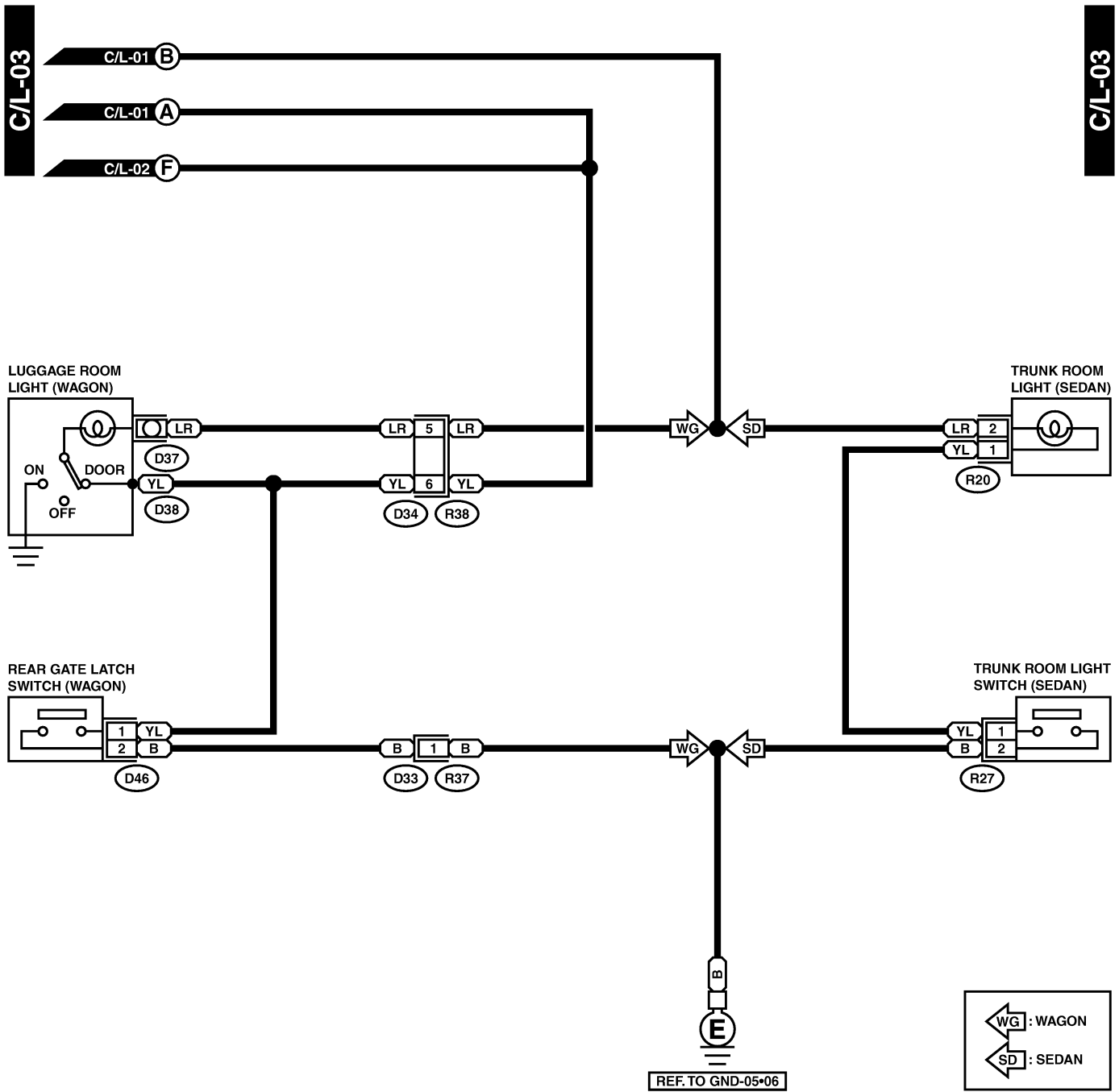
IN COMPARTMENT LIGHT SYSTEM

Wiring System



IN COMPARTMENT LIGHT SYSTEM

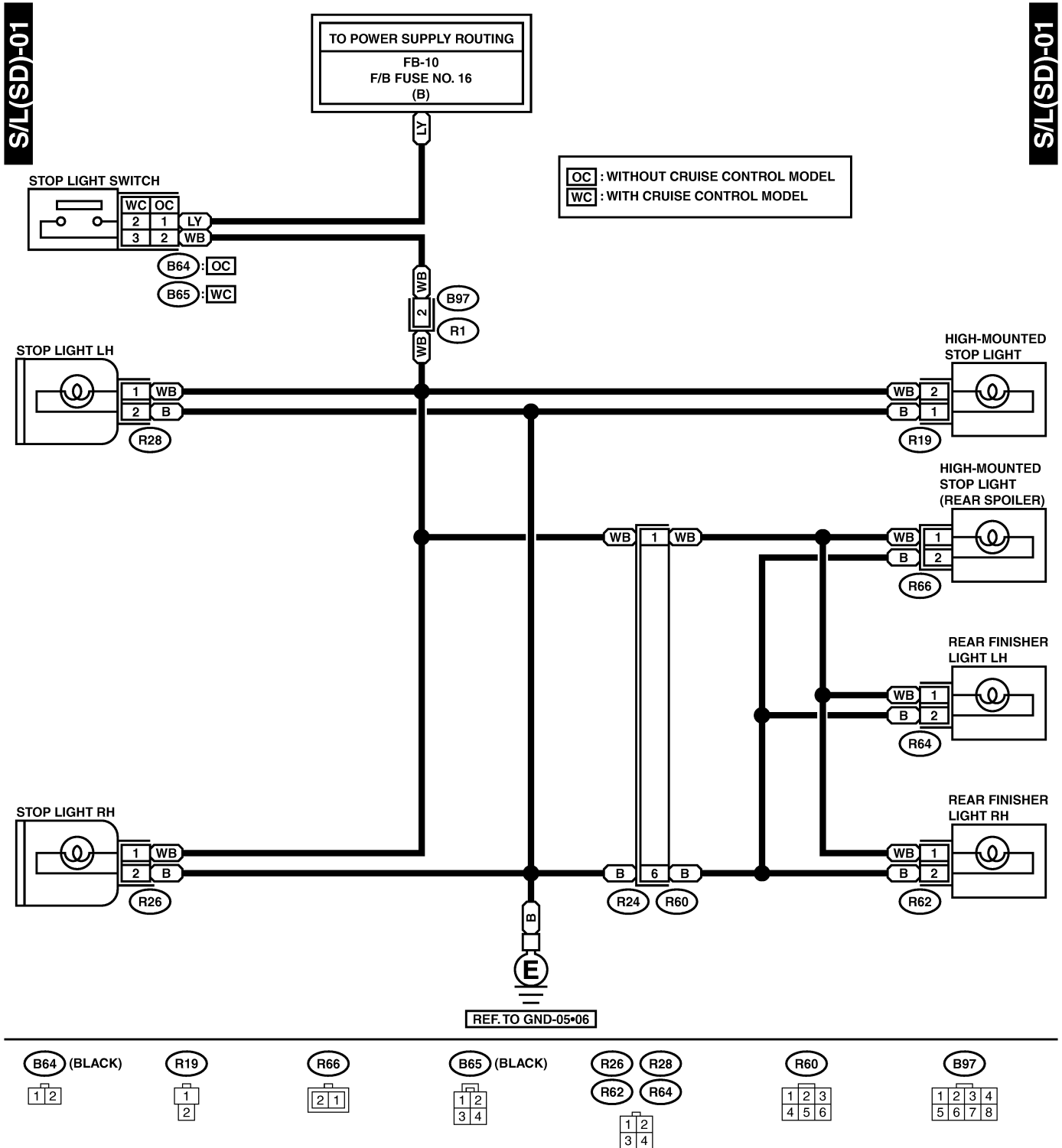
Wiring System



27. Stop Light System S903417

A: SCHEMATIC S903417A21

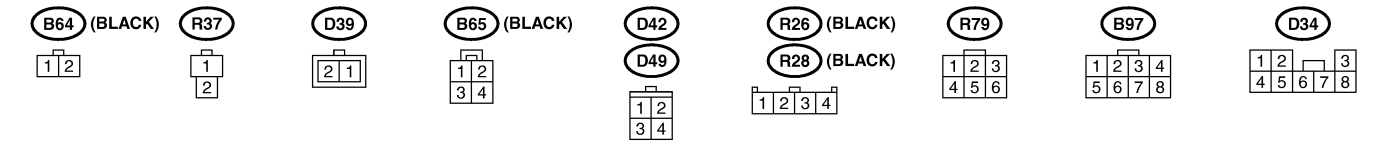
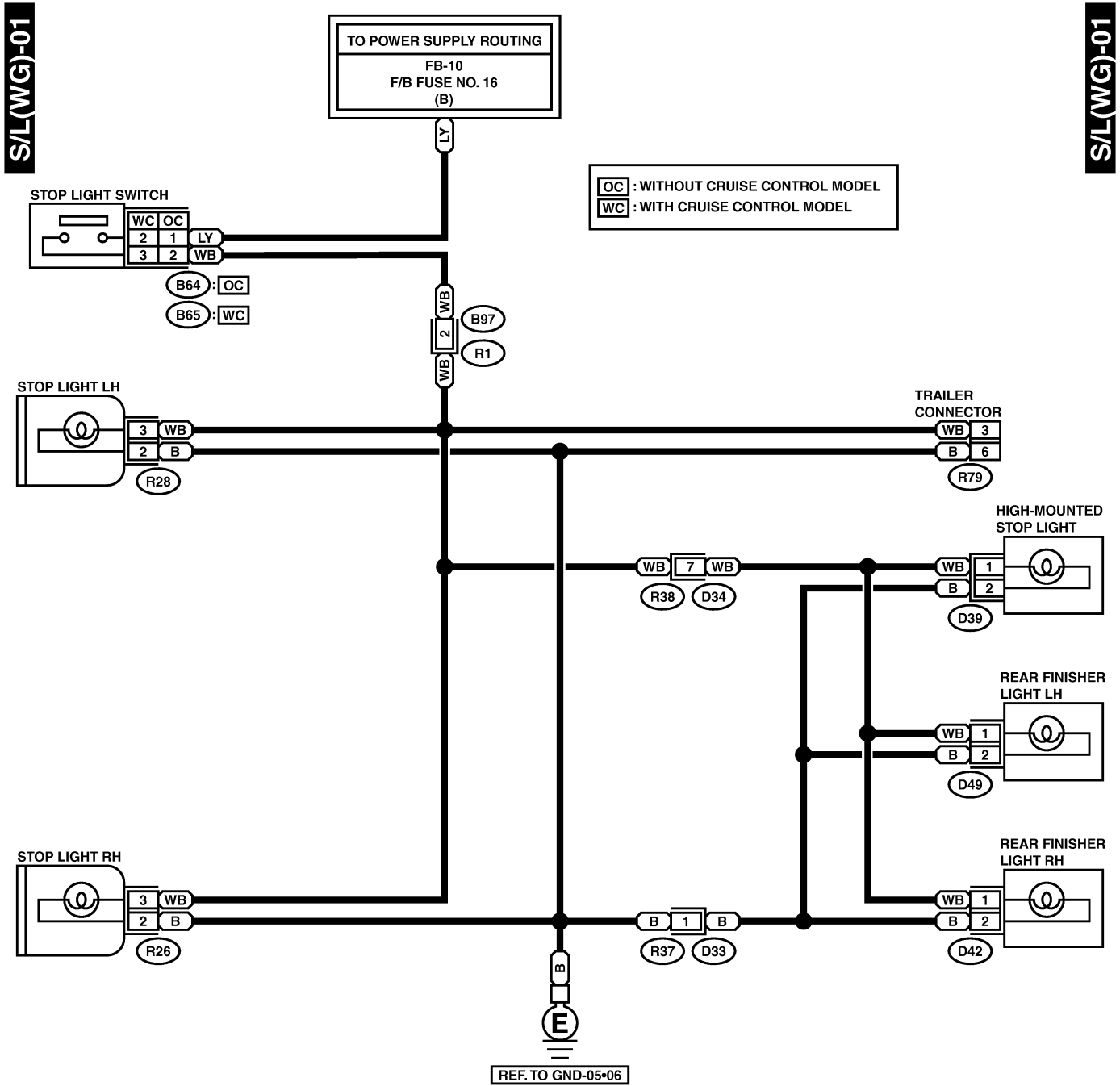
1. SEDAN MODEL S903417A2101



STOP LIGHT SYSTEM

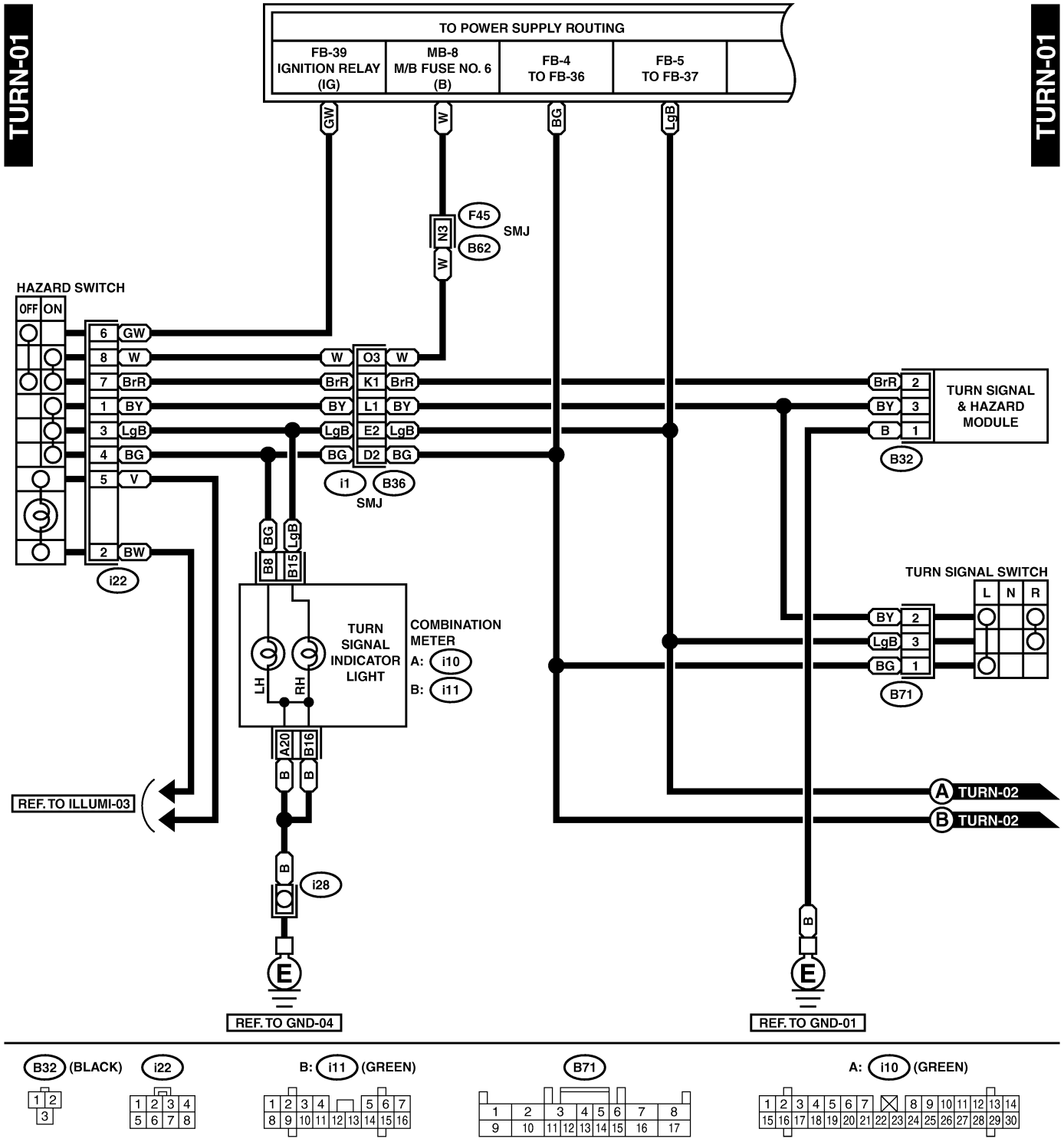
Wiring System

2. WAGON MODEL S903417A2.102



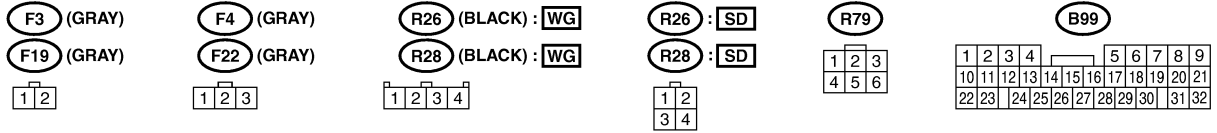
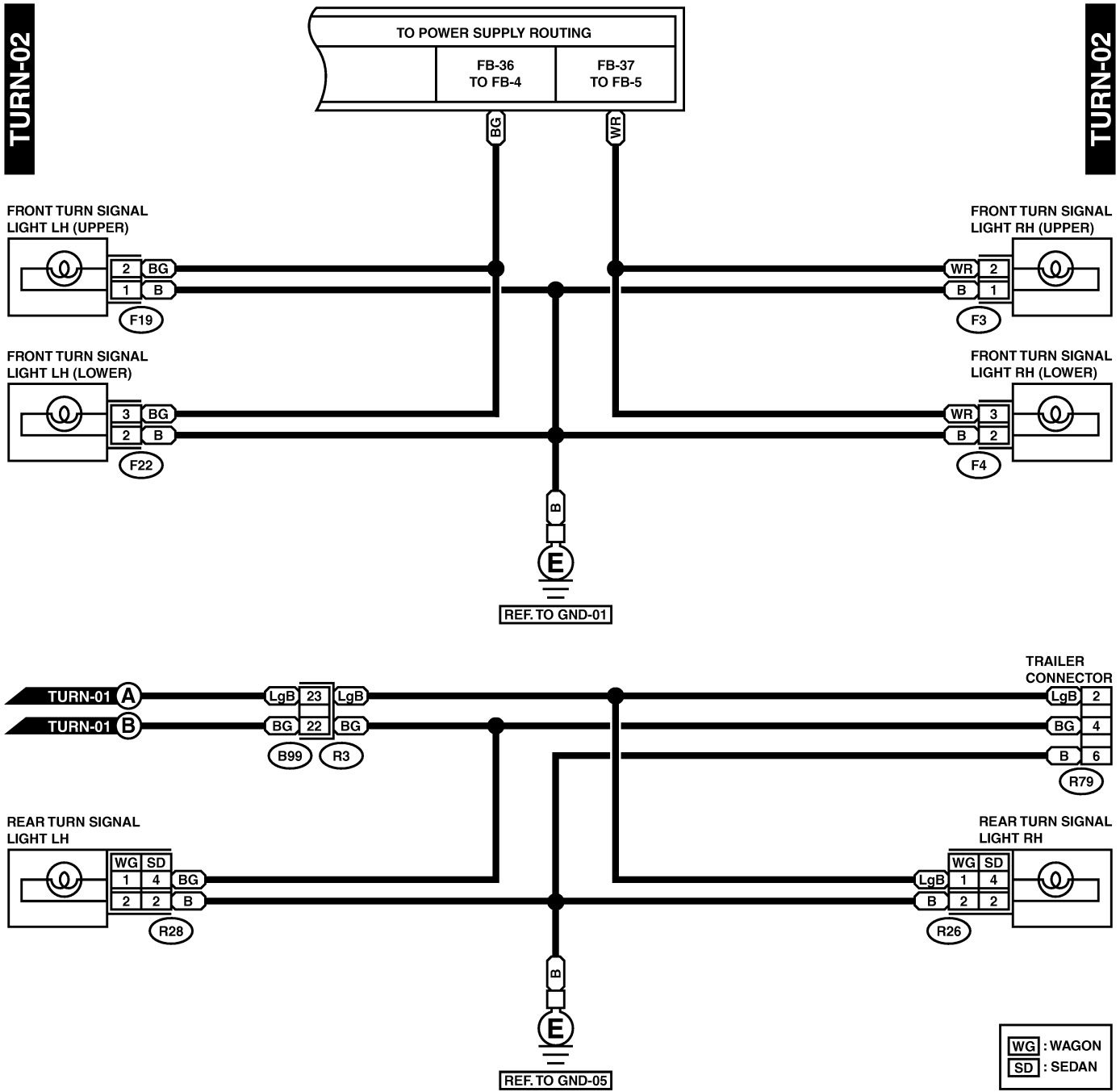
28. Turn Signal Light and Hazard Light System S903481

A: SCHEMATIC S903481A21



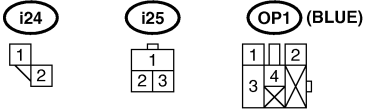
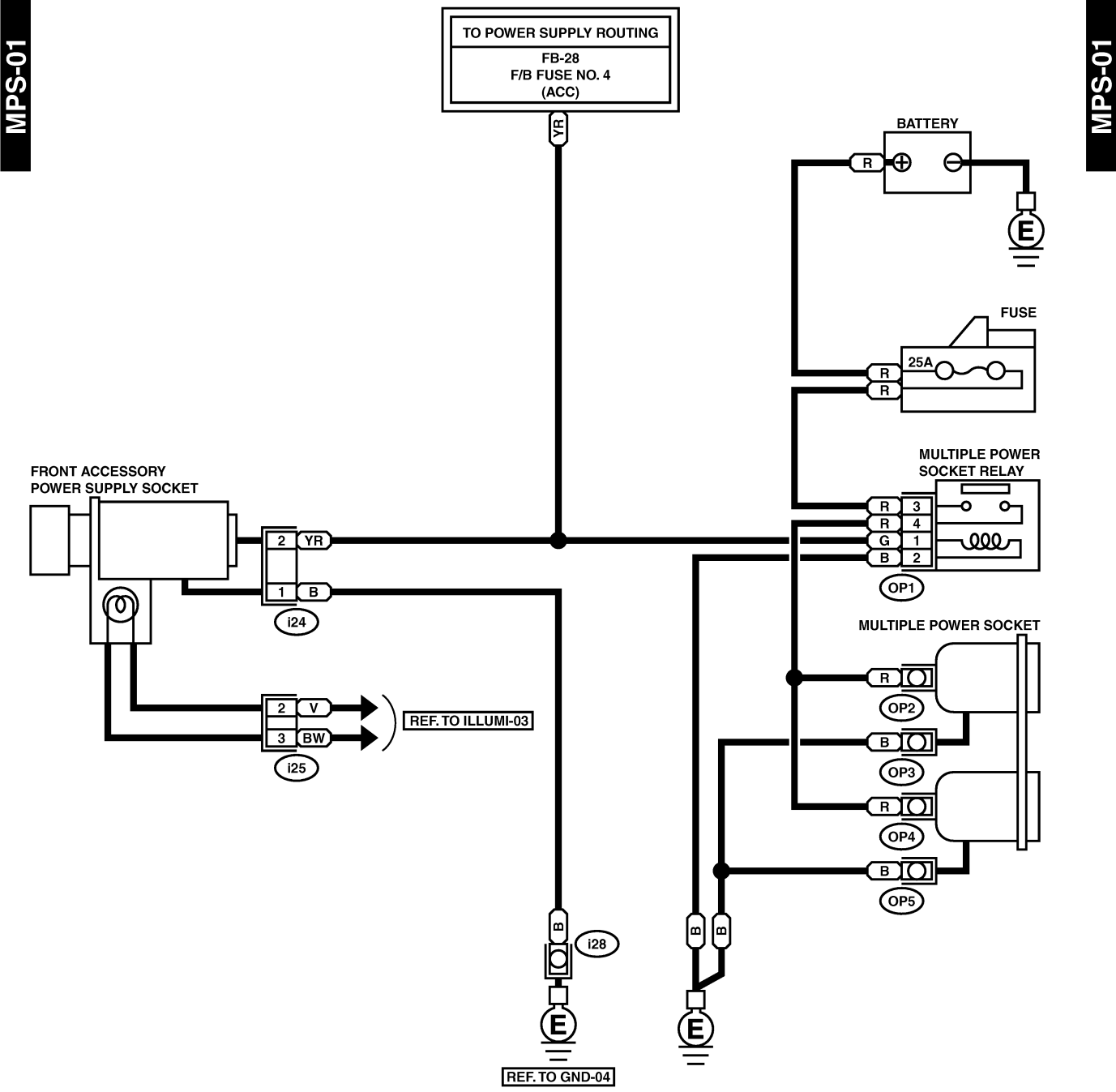
TURN SIGNAL LIGHT AND HAZARD LIGHT SYSTEM

Wiring System



29. Multiple Power Socket System (Option) S903666

A: SCHEMATIC S903666A21



OIL PRESSURE WARNING LIGHT SYSTEM

Wiring System

30. Oil Pressure Warning Light System

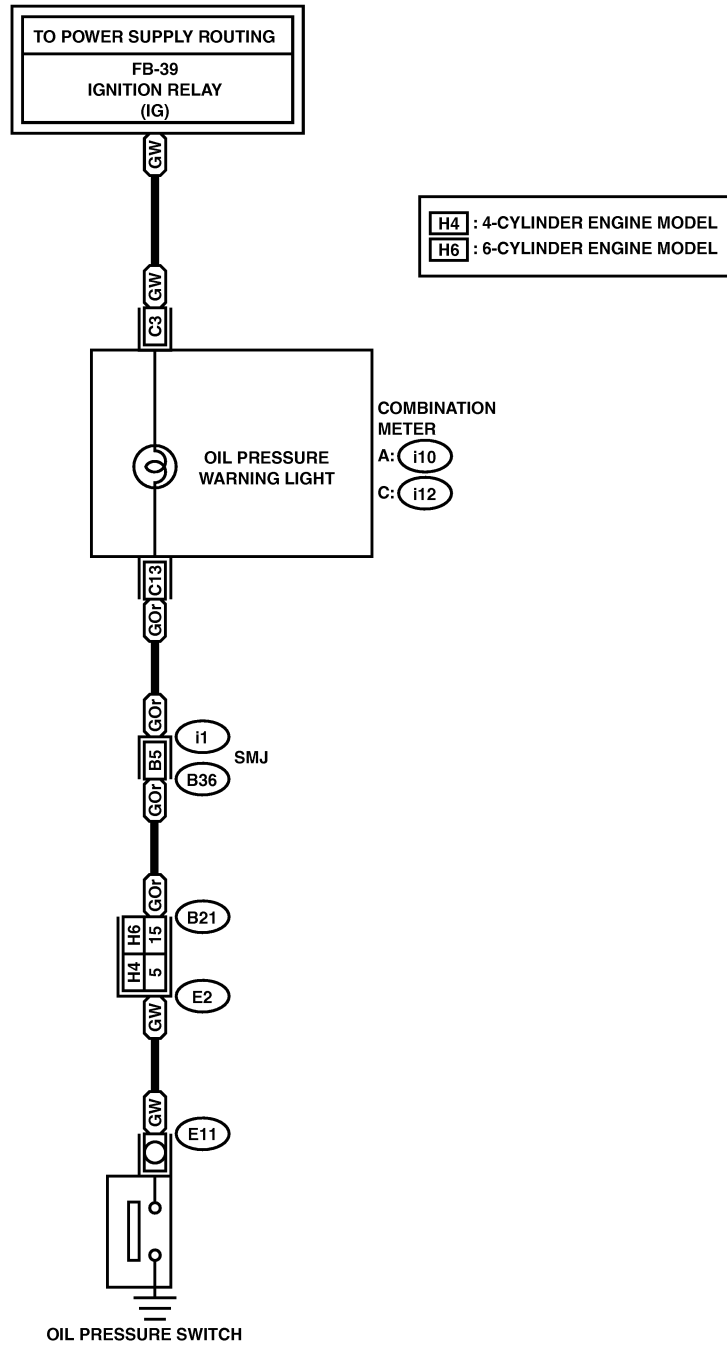
S903667

A: SCHEMATIC

S903667A21

OIL/P-01

OIL/P-01



H4 : 4-CYLINDER ENGINE MODEL
H6 : 6-CYLINDER ENGINE MODEL

COMBINATION METER
A: i10
C: i12

OIL PRESSURE SWITCH

C: i12 (GREEN)

1	2	3	4	5	6
7	8	9	10	11	12
13	14				

B21 (GRAY) : H4
(LIGHT GRAY) : H6

1	2	3	4
5	6	7	8
9	10	11	12
13	14	15	16
17	18	19	20

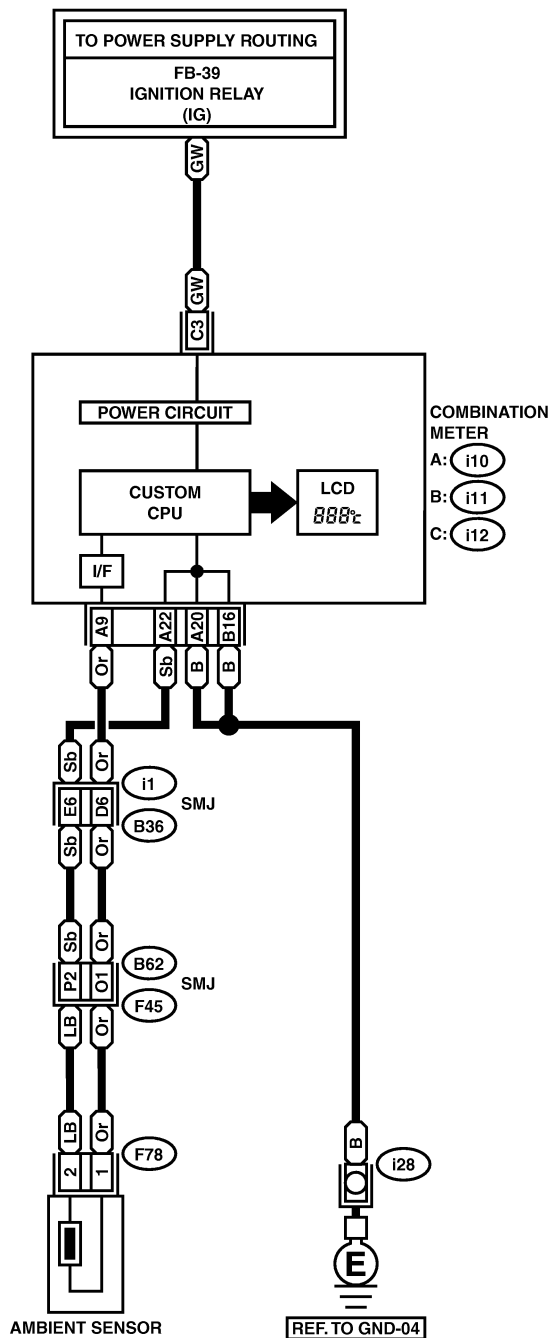
A: i10 (GREEN)

1	2	3	4	5	6	7	8	9	10	11	12	13	14
15	16	17	18	19	20	21	22	23	24	25	26	27	28
29	30												

31. Outside Temperature Display System S903668

A: SCHEMATIC S903668A21

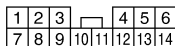
O/TEMP-01



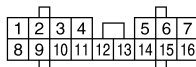
F78 (BLACK)



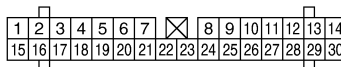
C: i12 (GREEN)



B: i11 (GREEN)



A: i10 (GREEN)



PARKING BRAKE AND BRAKE FLUID LEVEL WARNING SYSTEM

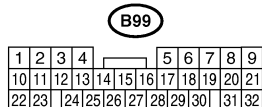
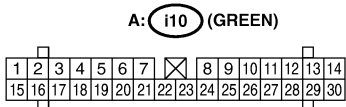
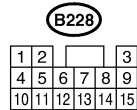
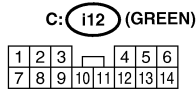
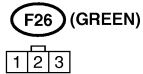
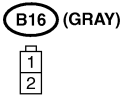
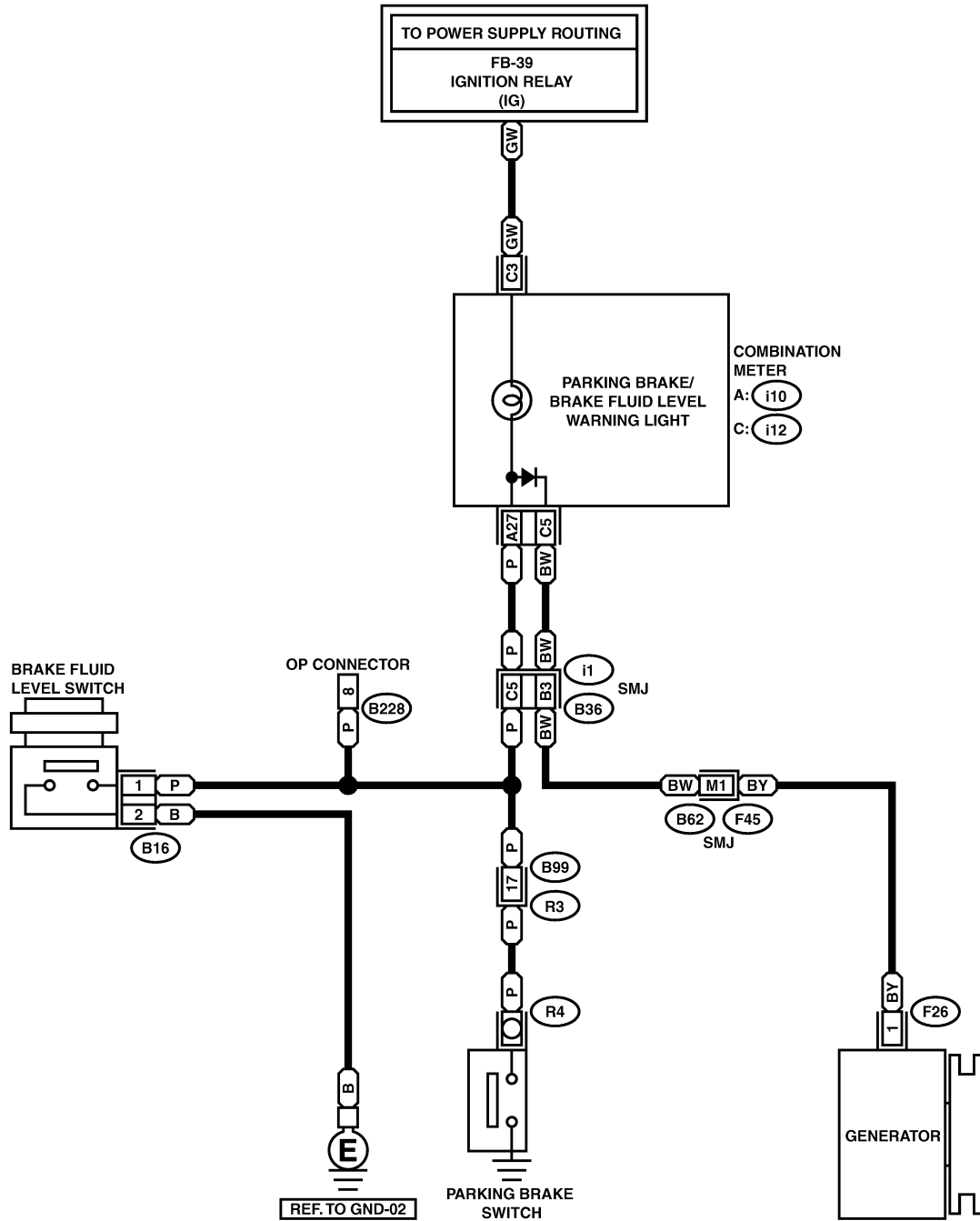
Wiring System

32. Parking Brake and Brake Fluid Level Warning System S903478

A: SCHEMATIC S903478A21

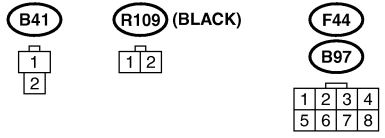
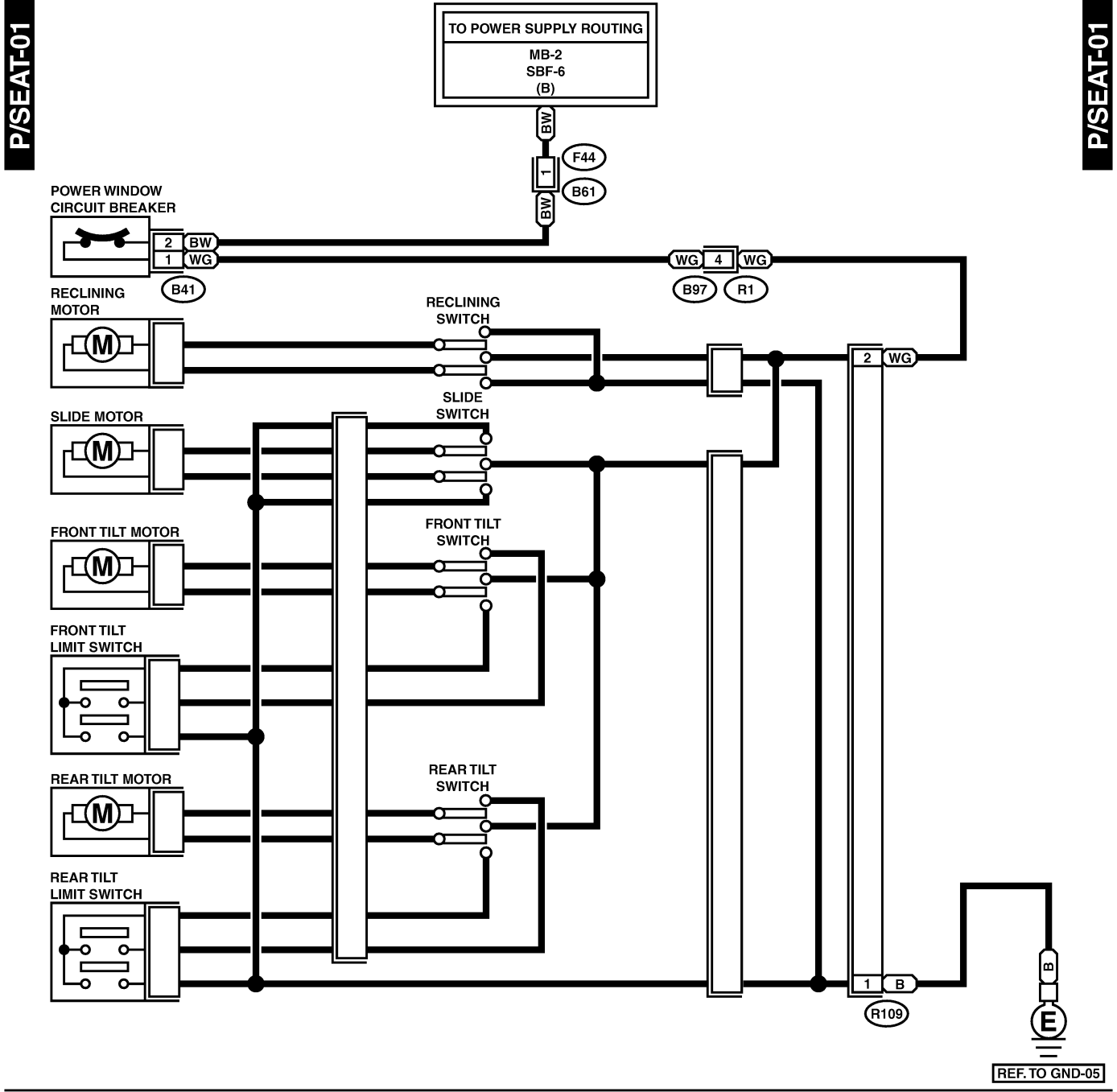
BRAKE/W-01

BRAKE/W-01



33. Power Seat System S903669

A: SCHEMATIC S903669A21



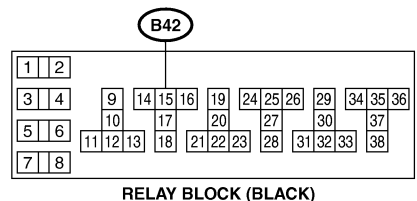
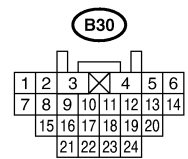
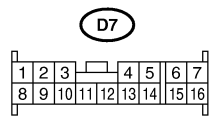
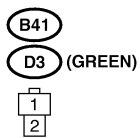
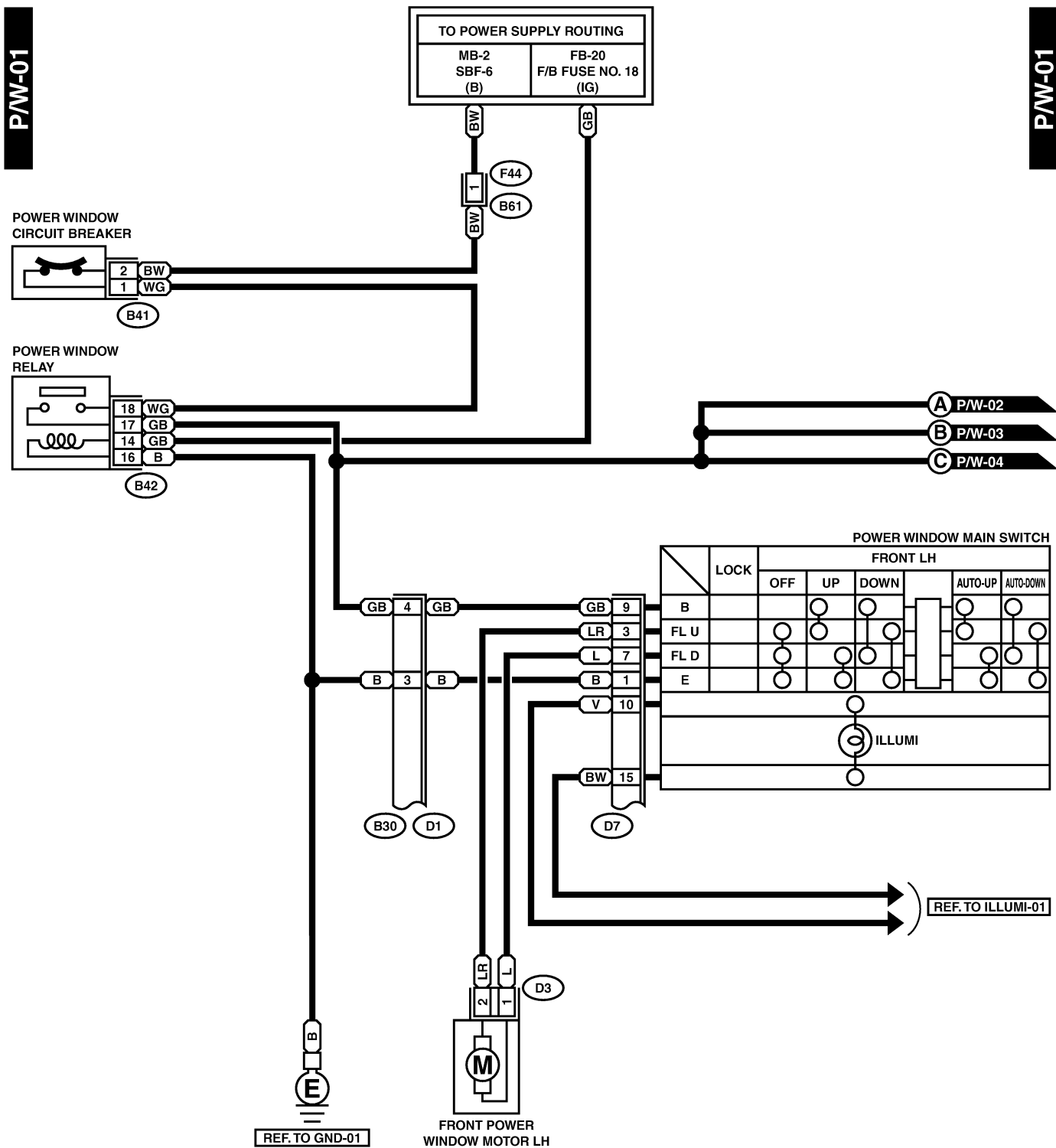
34. Power Window System S903456

POWER WINDOW SYSTEM

Wiring System

A: SCHEMATIC

S903456A21



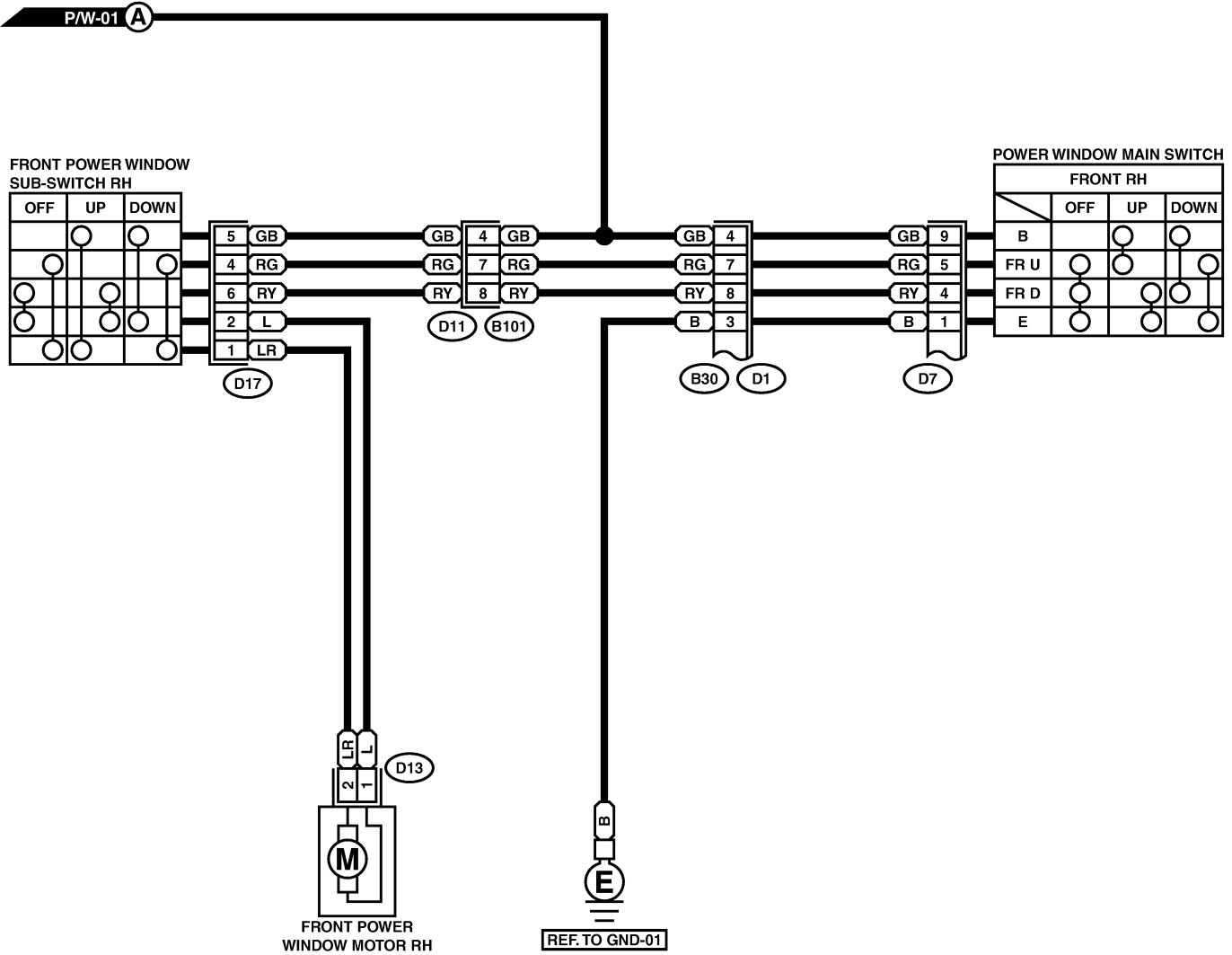
BU70-21A

POWER WINDOW SYSTEM

Wiring System

P/W-02

P/W-02



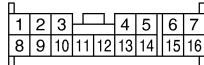
D13 (GREEN)



D17



D7



B30

B101

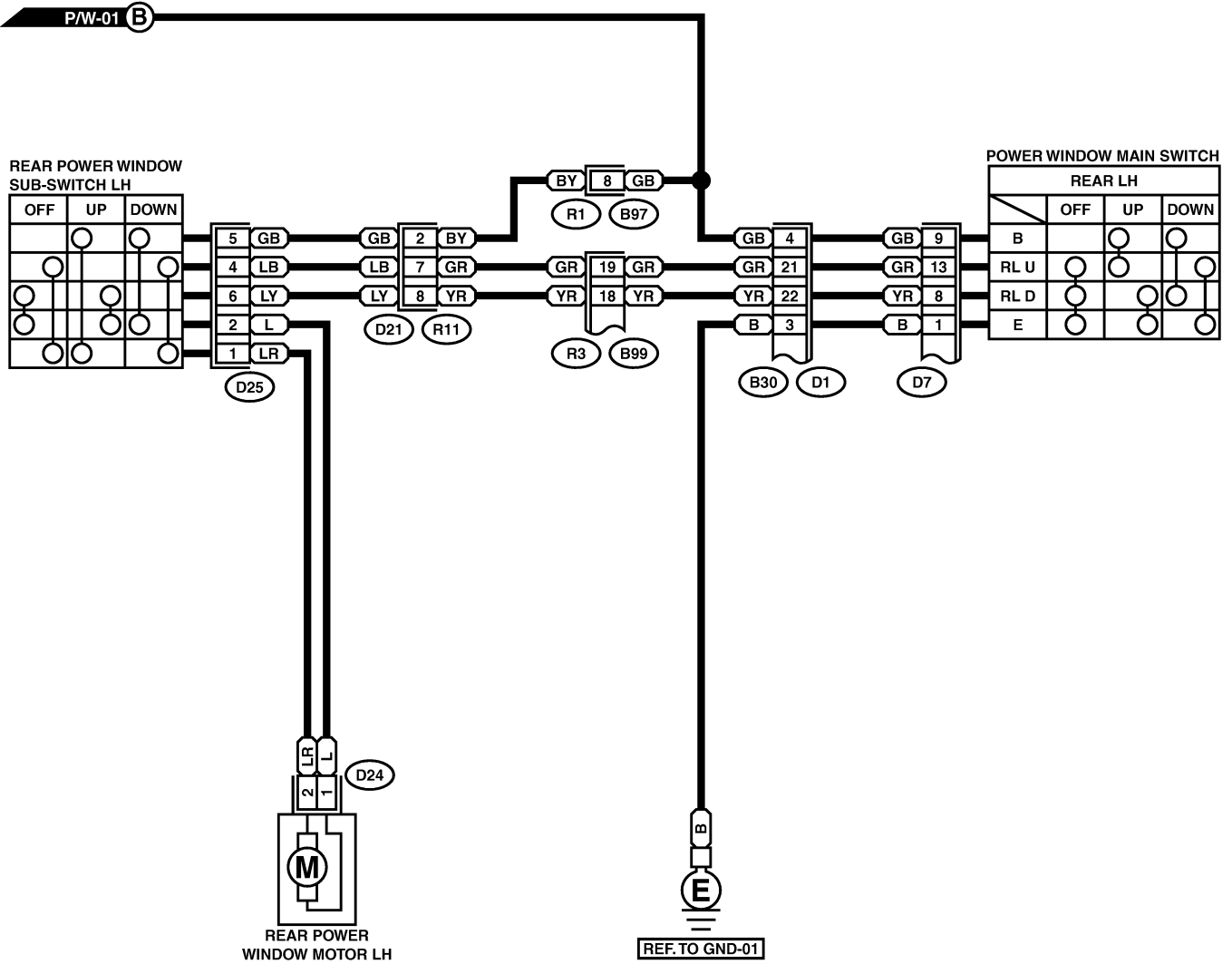


POWER WINDOW SYSTEM

Wiring System

P/W-03

P/W-03



D24 (GREEN)



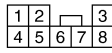
D25



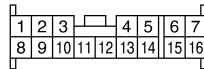
B97



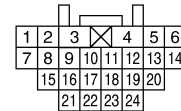
R11



D7



B30



B99

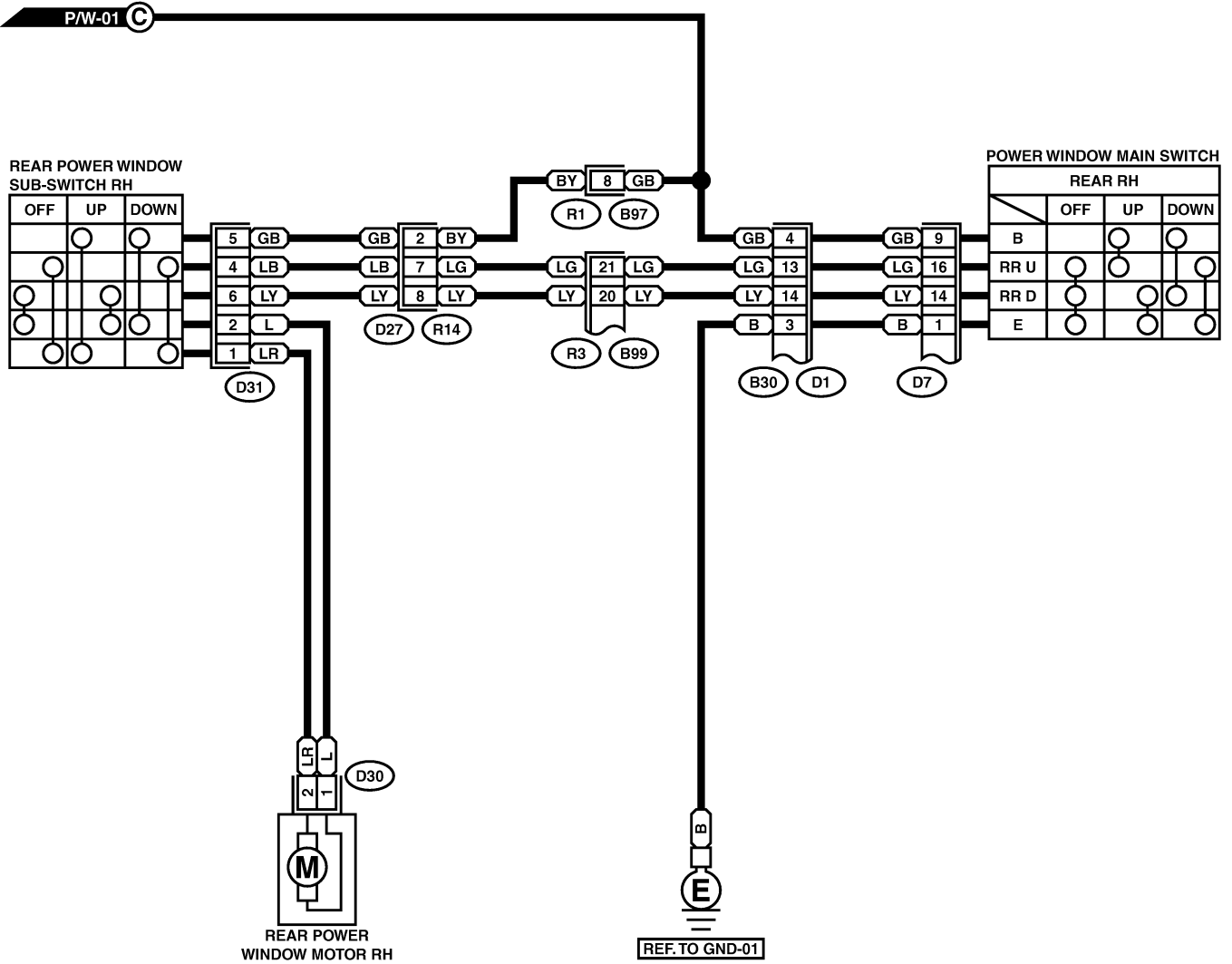


POWER WINDOW SYSTEM

Wiring System

P/W-04

P/W-04



D30 (GREEN)



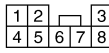
D31



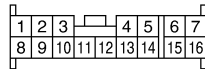
B97



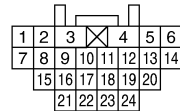
R14



D7



B30



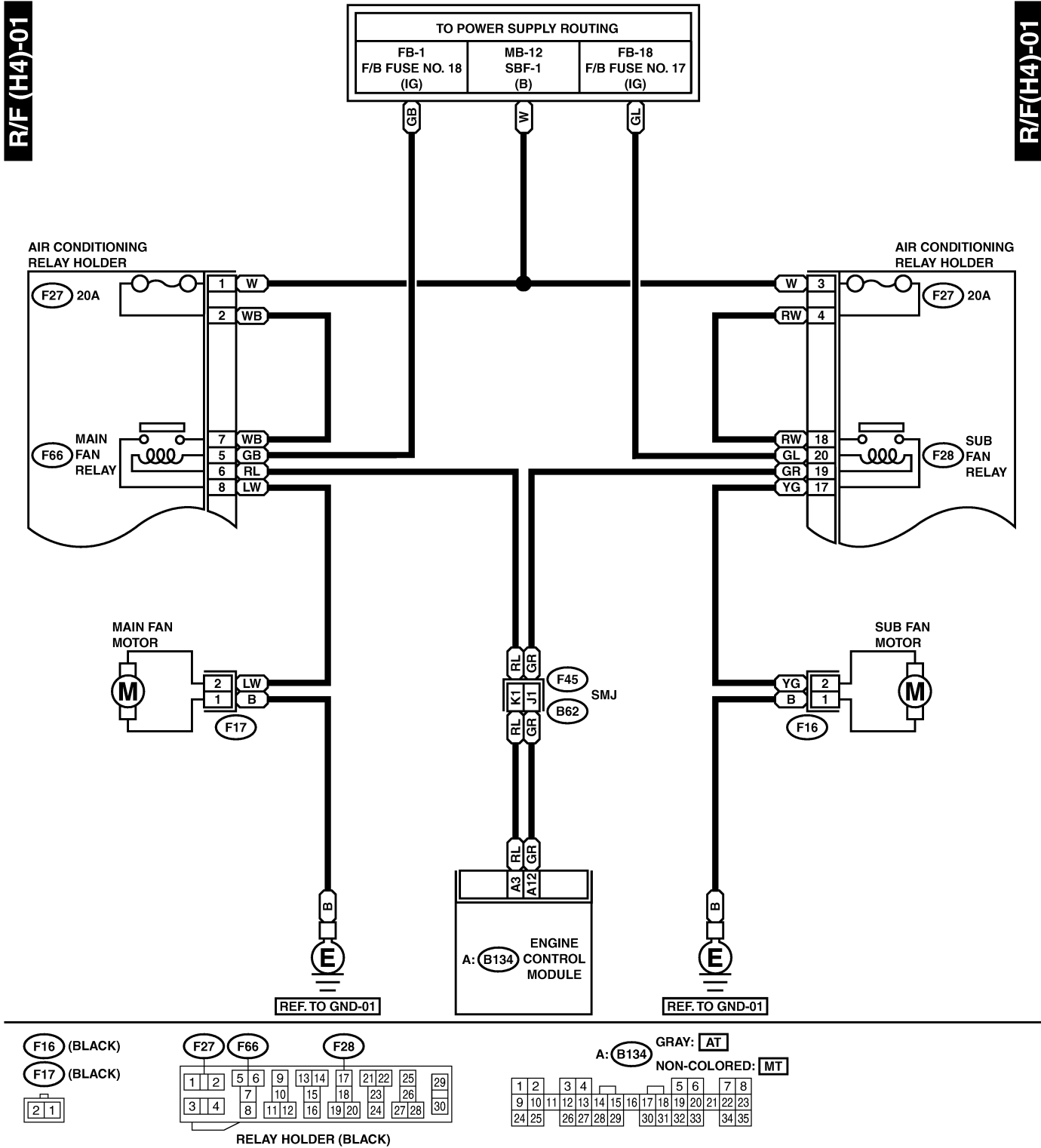
B99



35. Radiator Fan System S903480

A: SCHEMATIC S903480A21

1. 4-CYLINDER ENGINE MODEL S903480A2101



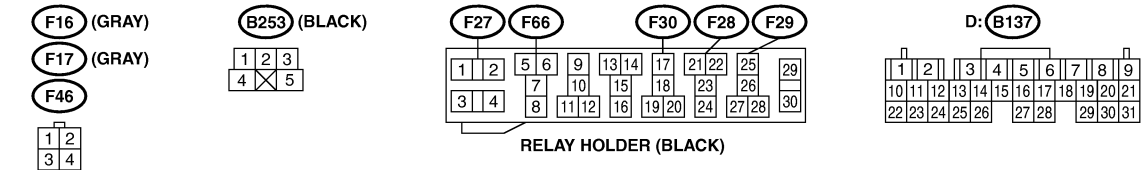
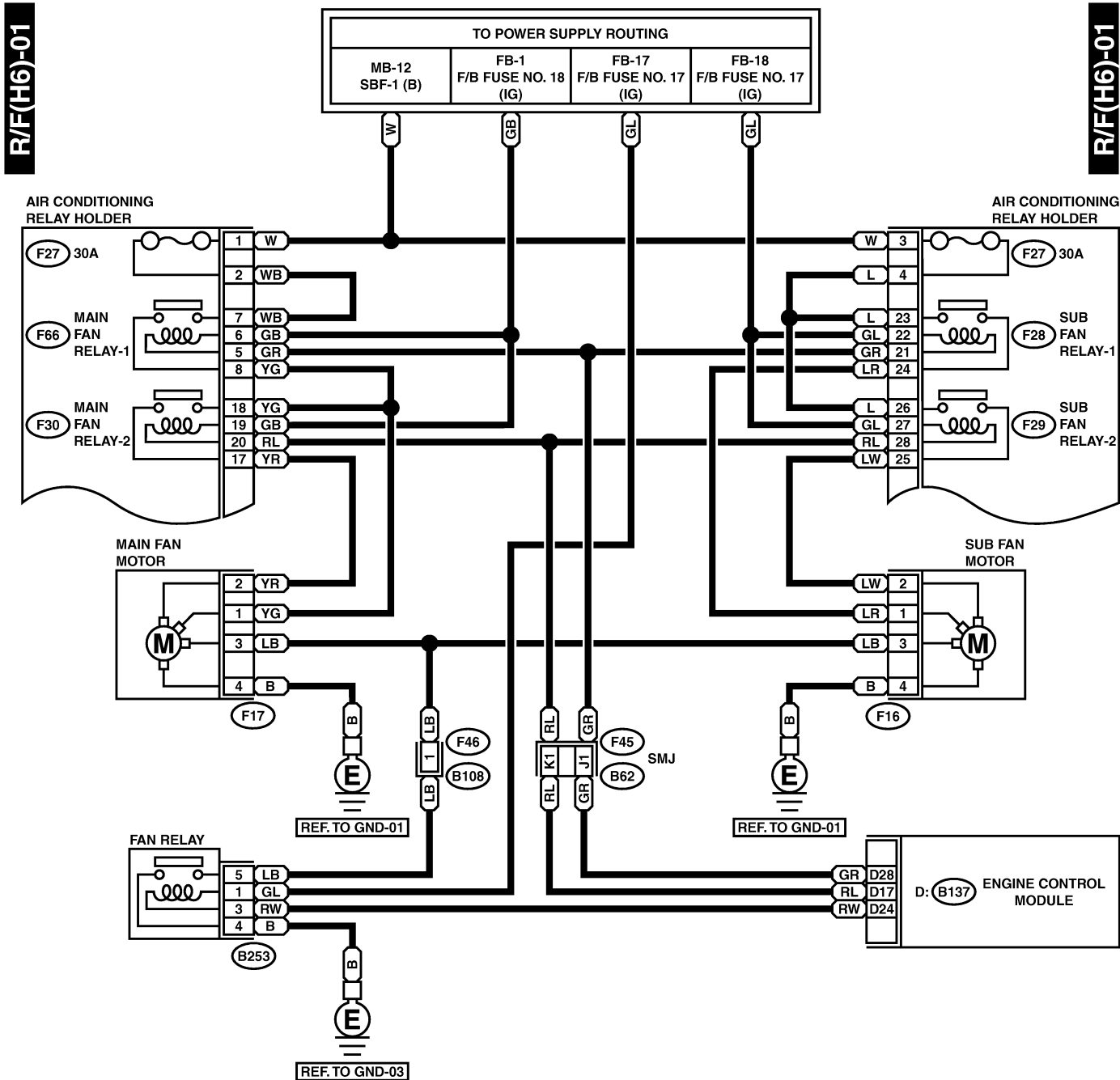
R/F (H4)-01

R/F (H4)-01

RADIATOR FAN SYSTEM

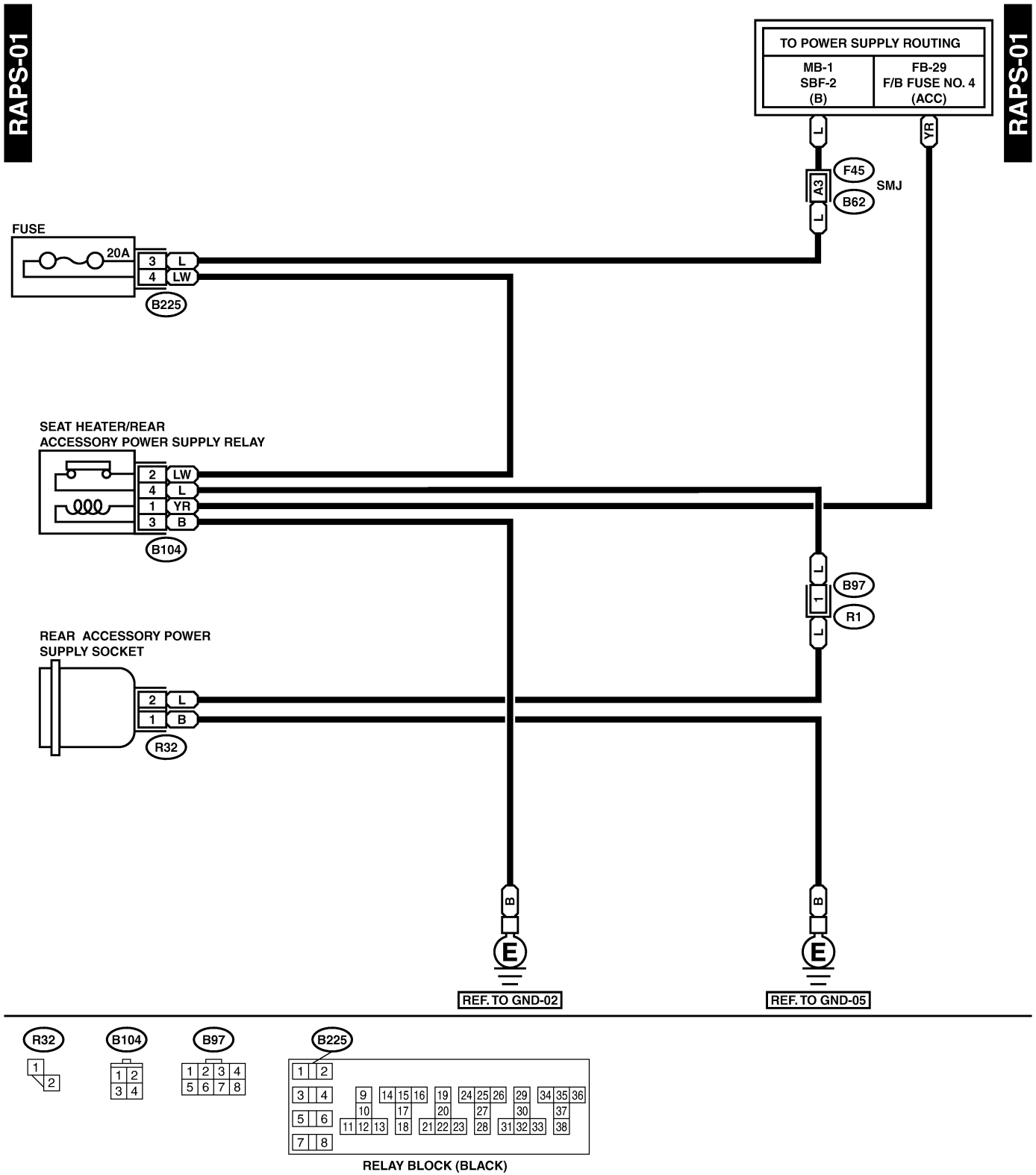
Wiring System

2. 6-CYLINDER ENGINE MODEL S903480A2102



36. Rear Accessory Power Supply System S903670

A: SCHEMATIC S903670A21



REAR WINDOW DEFOGGER SYSTEM

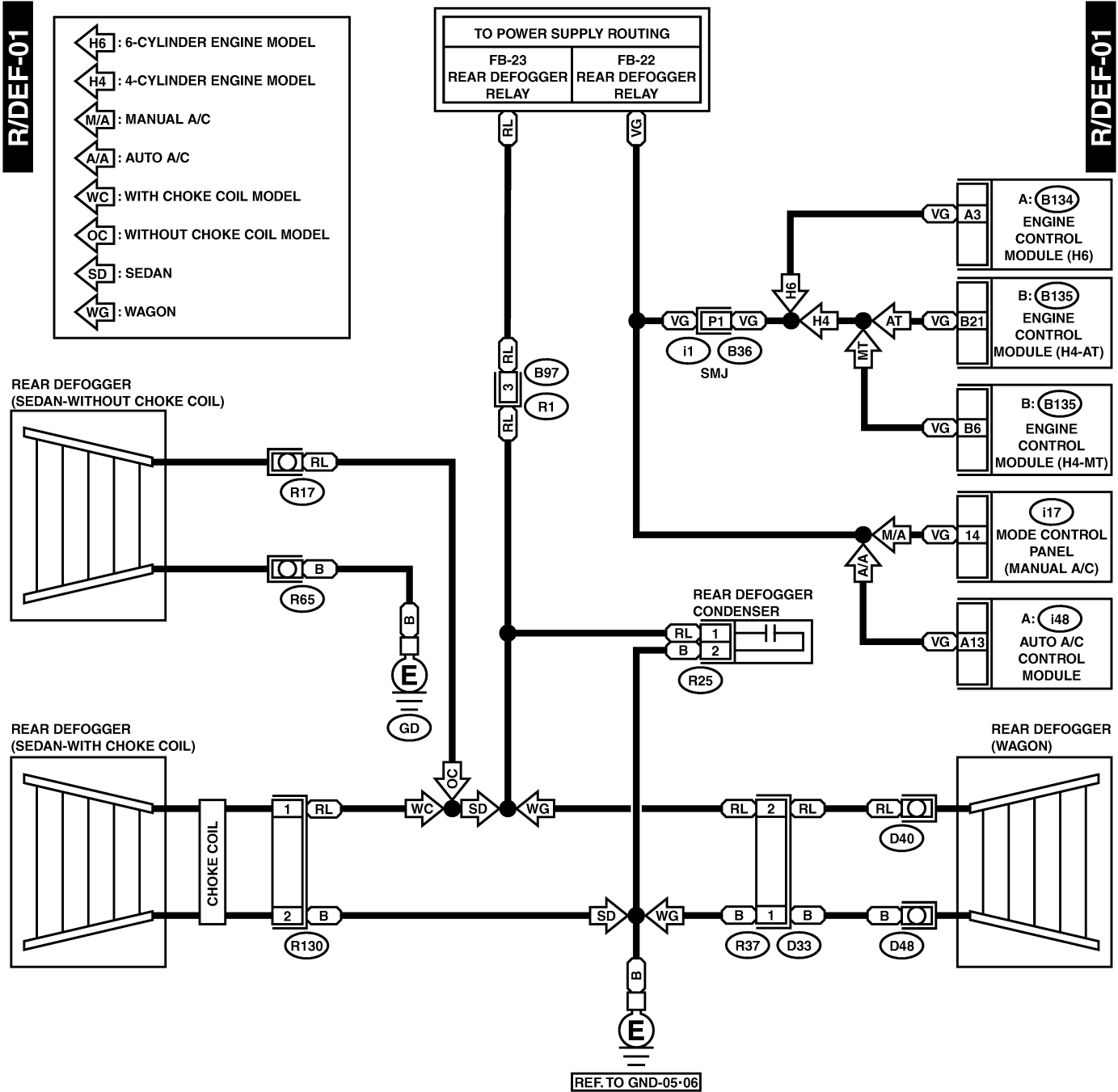
Wiring System

37. Rear Window Defogger System

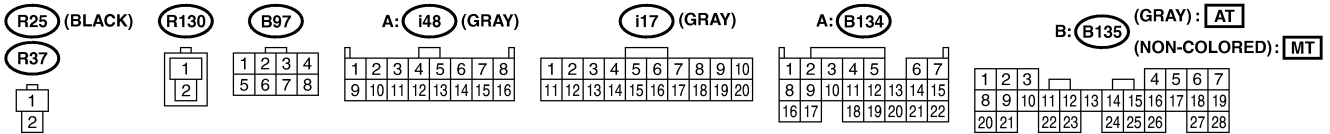
S903455

A: SCHEMATIC

S90345A21



REF. TO GND-05-06



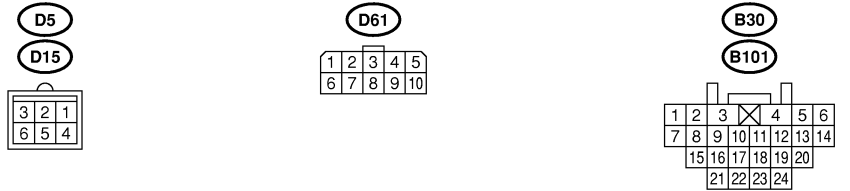
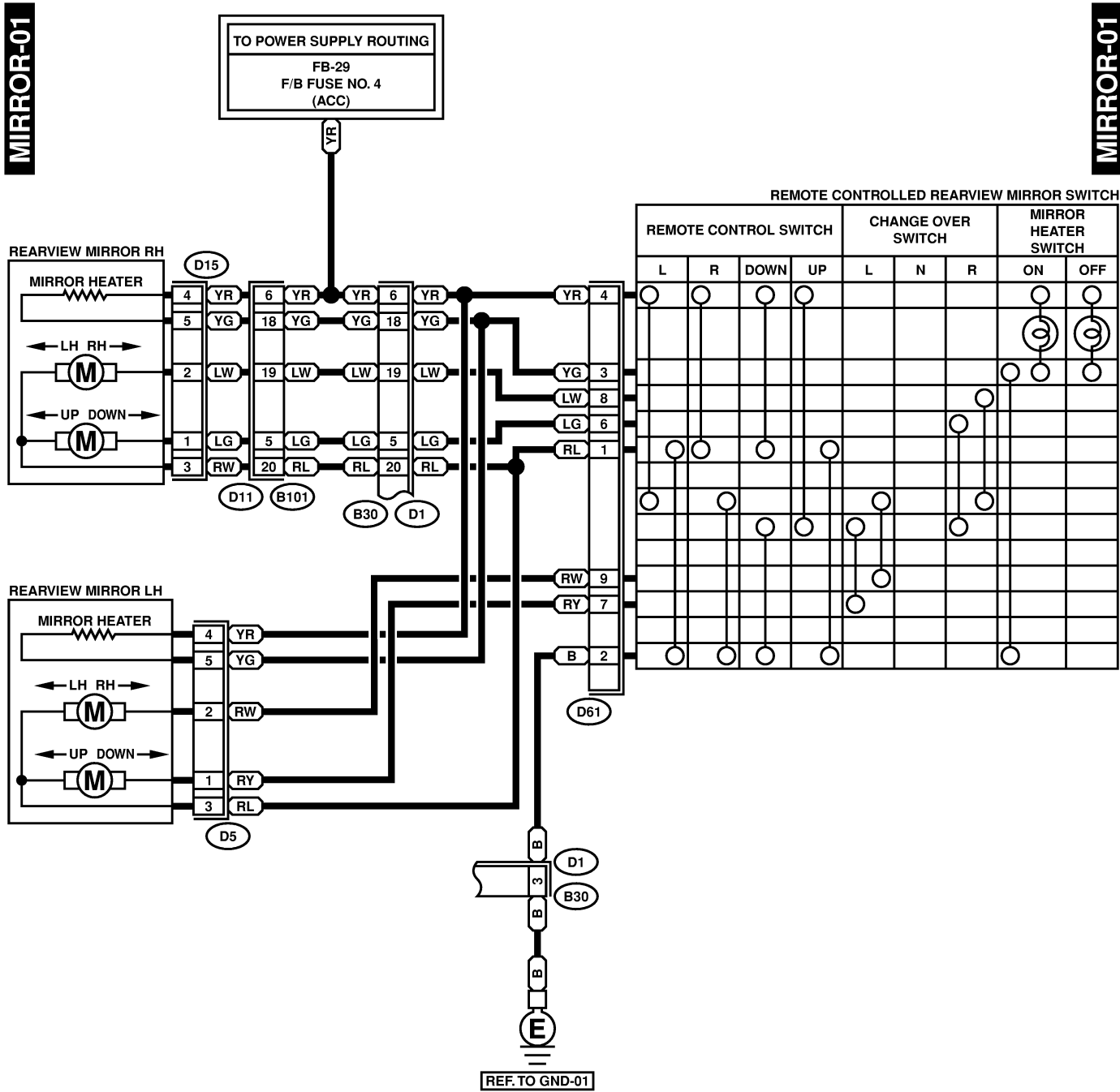
BU52-21

REMOTE CONTROLLED REARVIEW MIRROR SYSTEM

Wiring System

38. Remote Controlled Rearview Mirror System S903459

A: SCHEMATIC S903459A21



SEAT BELT WARNING SYSTEM

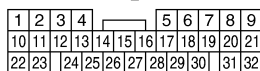
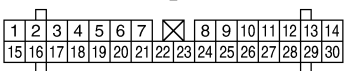
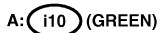
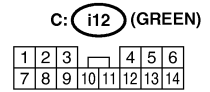
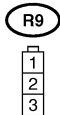
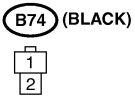
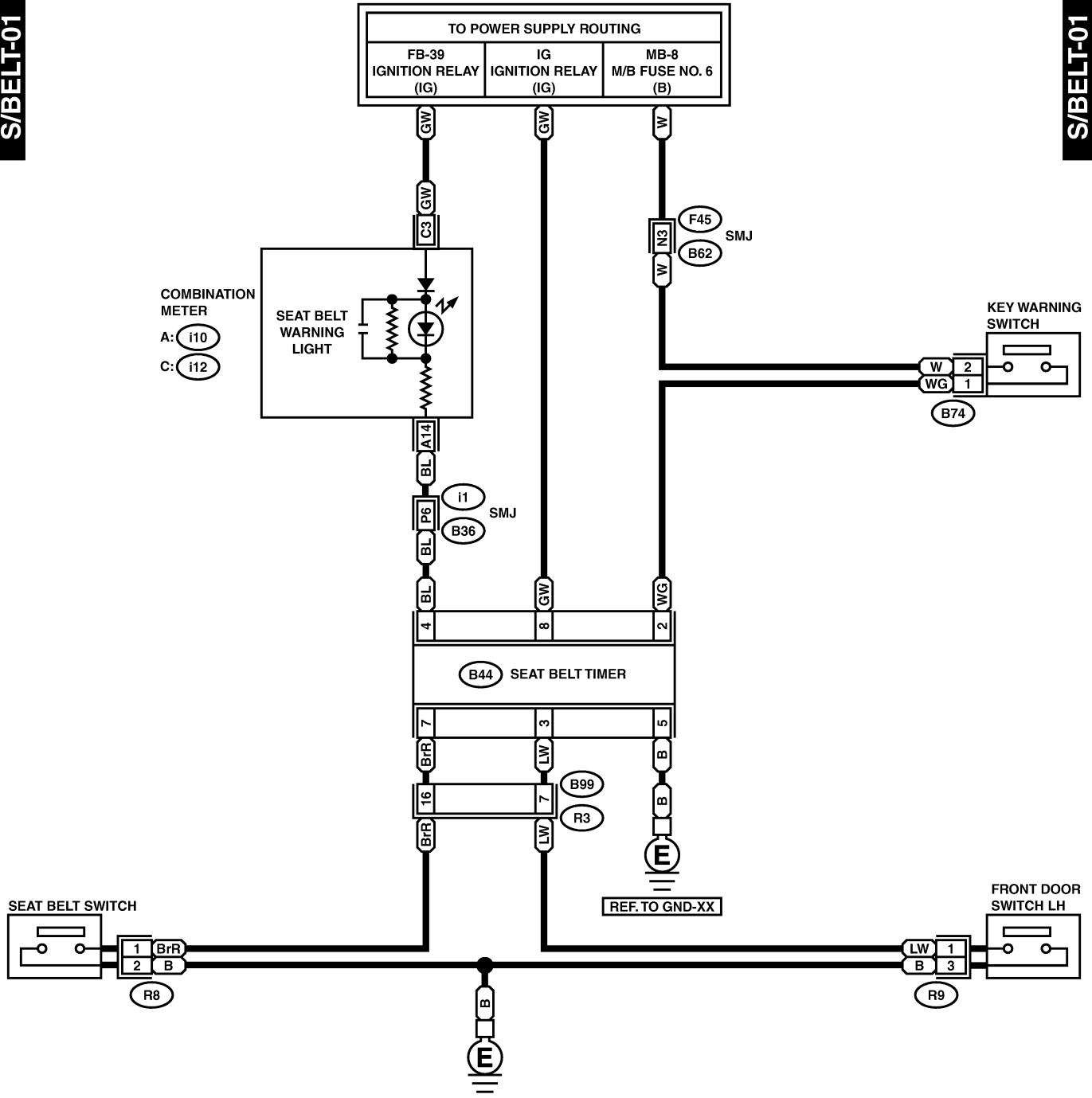
Wiring System

39. Seat Belt Warning System S903483

A: SCHEMATIC S903483A21

S/BELT-01

S/BELT-01



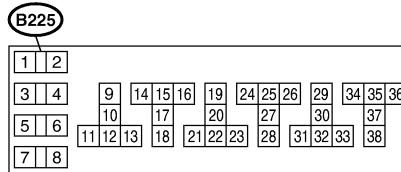
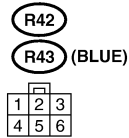
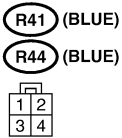
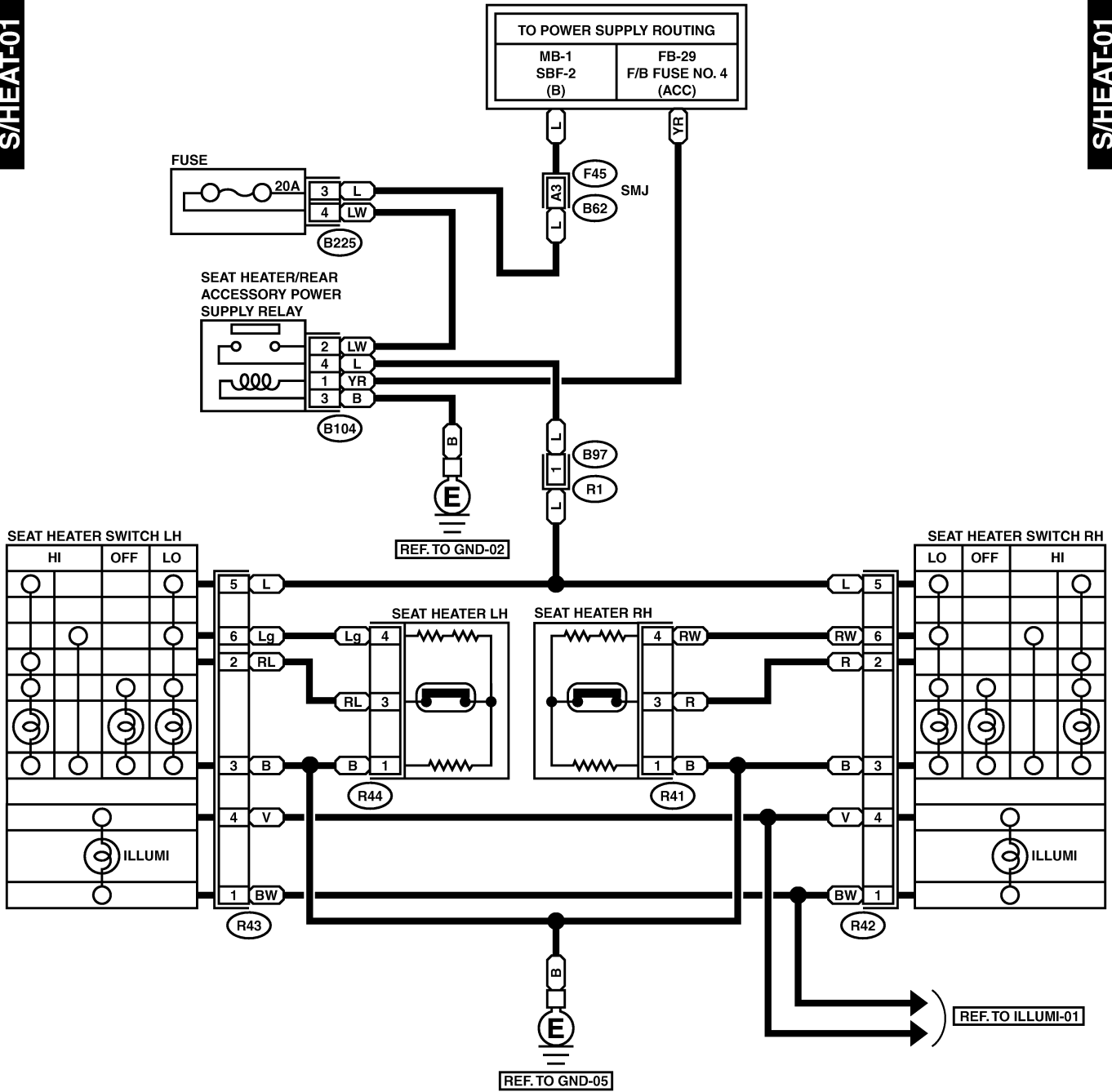
BU87-21

40. Seat Heater System S903462

A: SCHEMATIC S903462A21

S/HEAT-01

S/HEAT-01



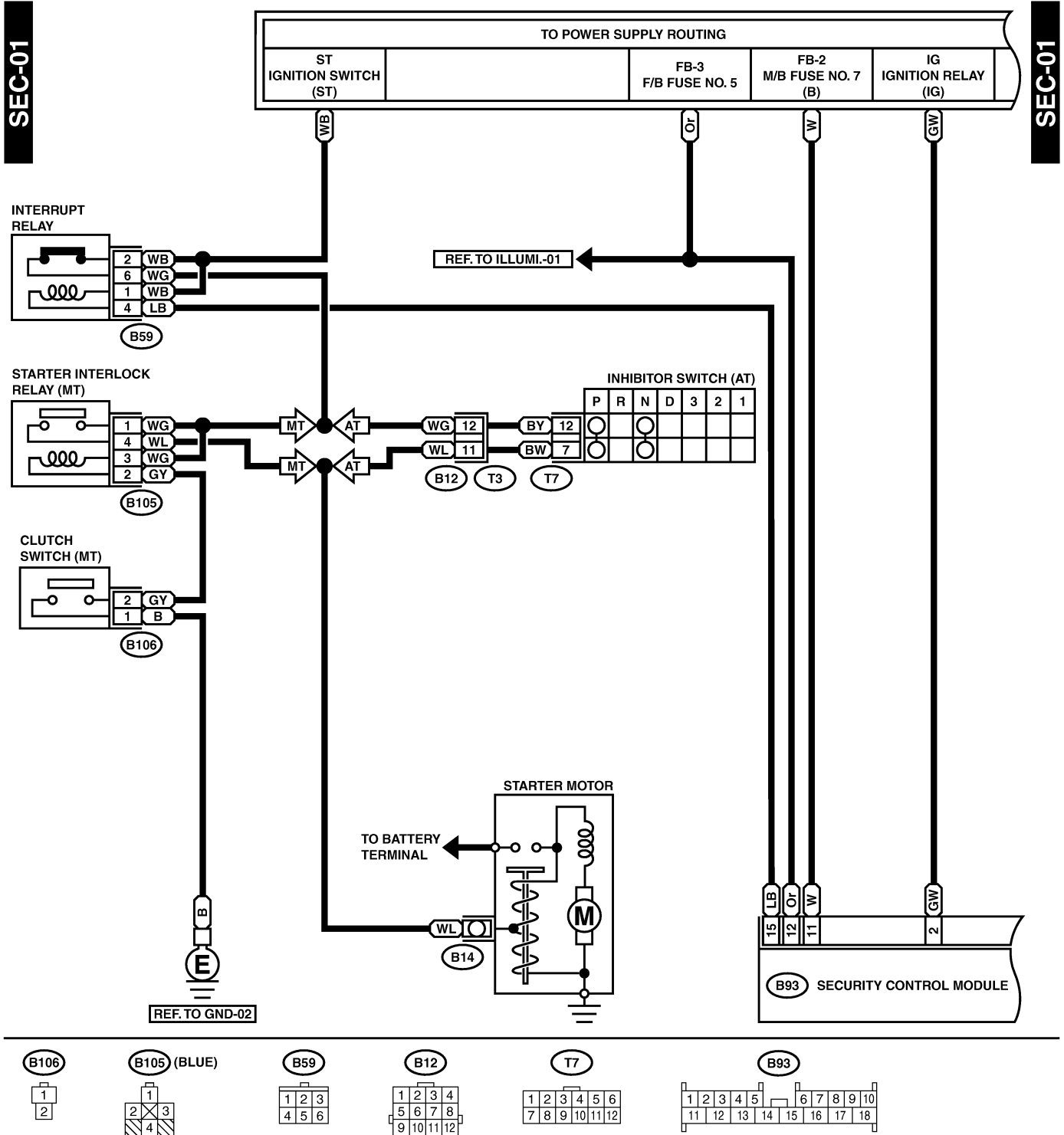
RELAY BLOCK (BLACK)

SECURITY SYSTEM

Wiring System

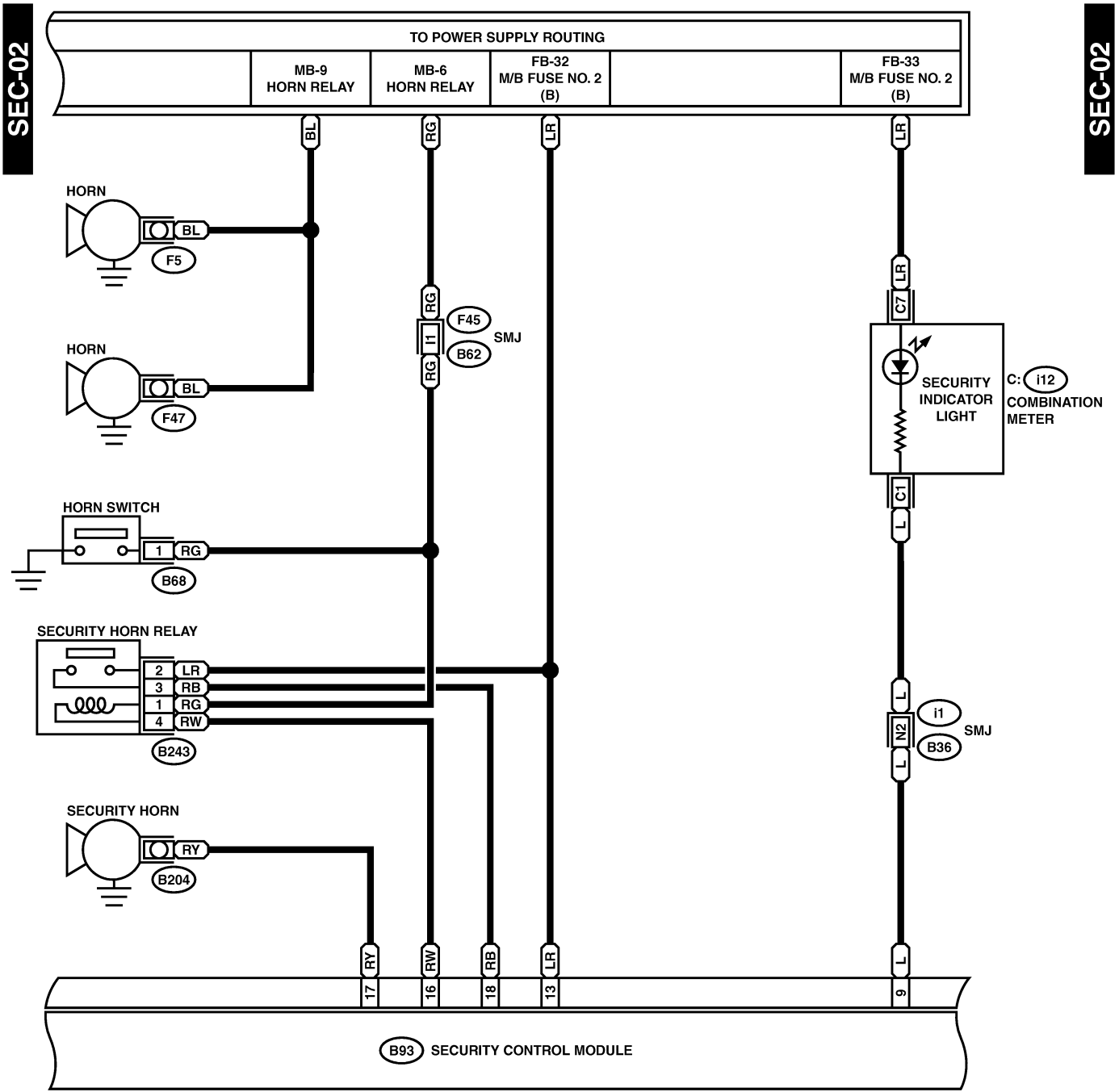
41. Security System S903347

A: SCHEMATIC S903347A21



SECURITY SYSTEM

Wiring System



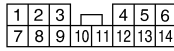
B68 (BLACK)



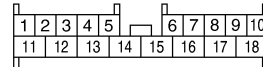
B243 (BLACK)



C: i12 (GREEN)

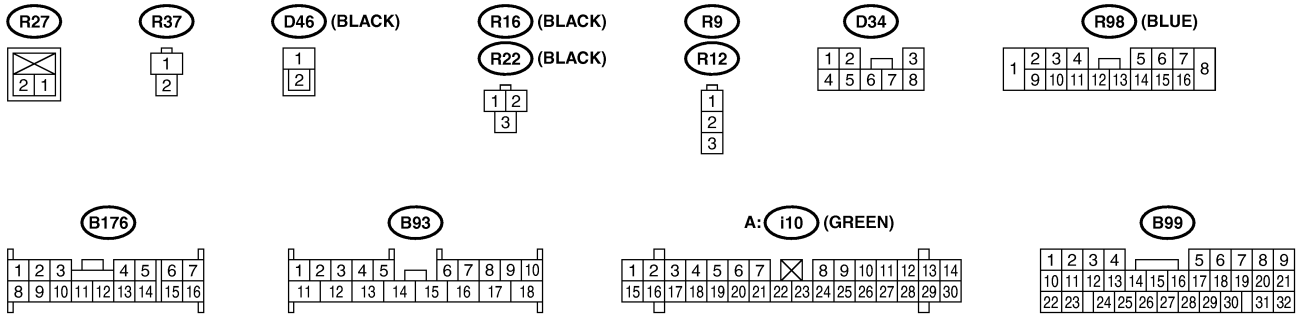
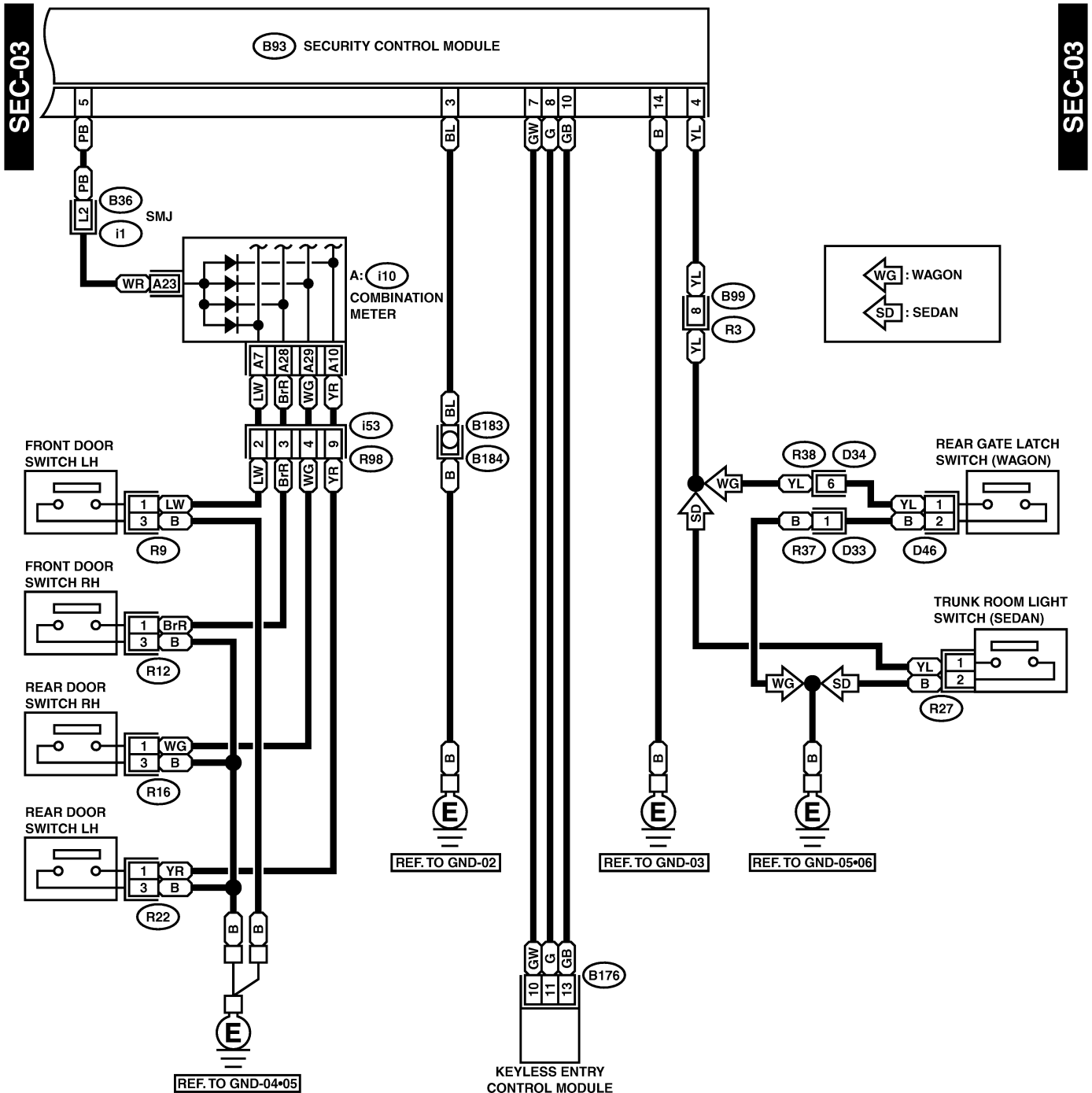


B93



SECURITY SYSTEM

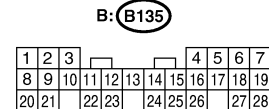
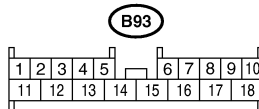
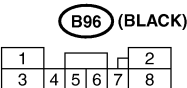
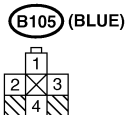
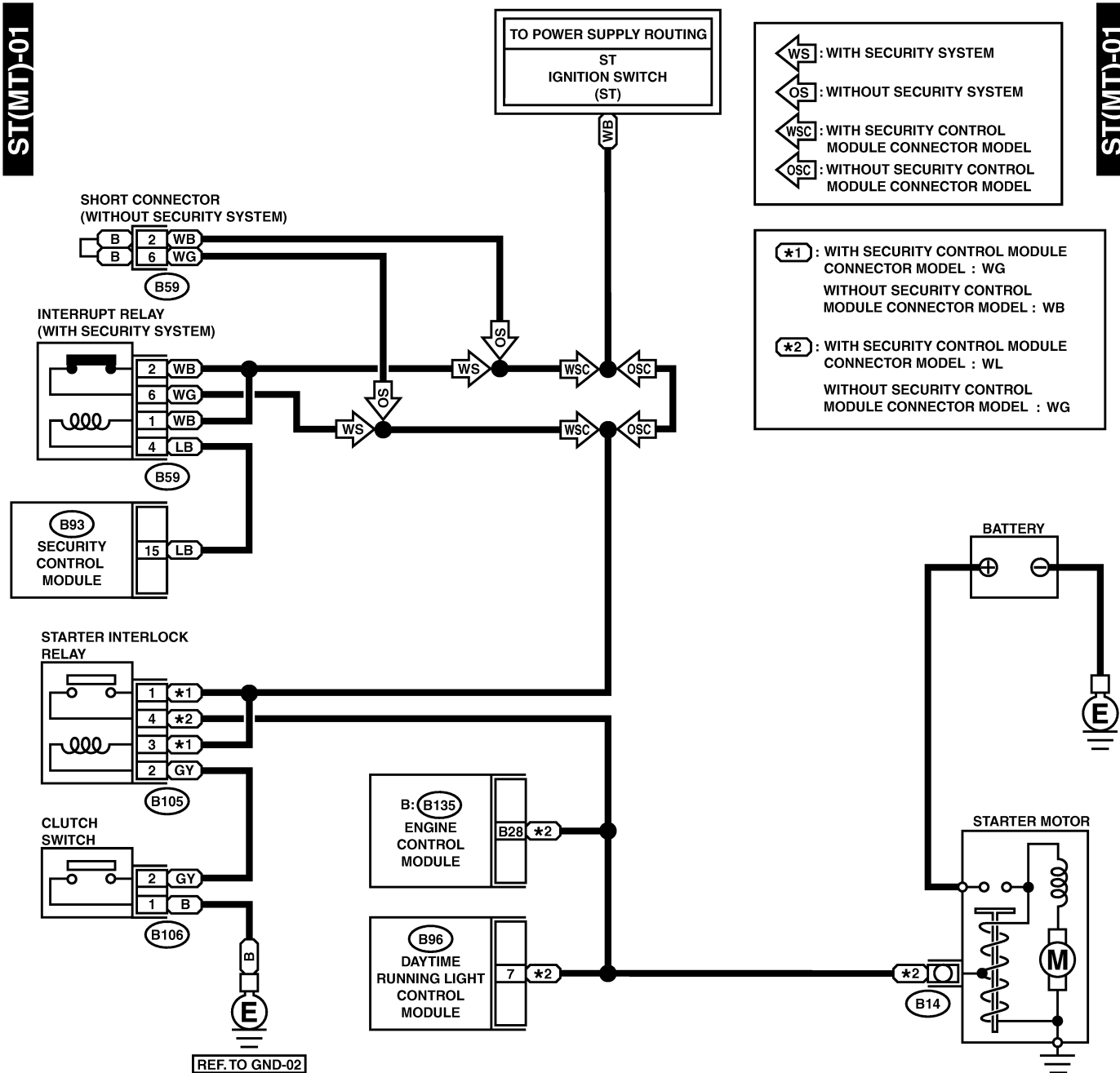
Wiring System



42. Starter System S903439

A: SCHEMATIC S903439A21

1. MT MODEL S903439A2101



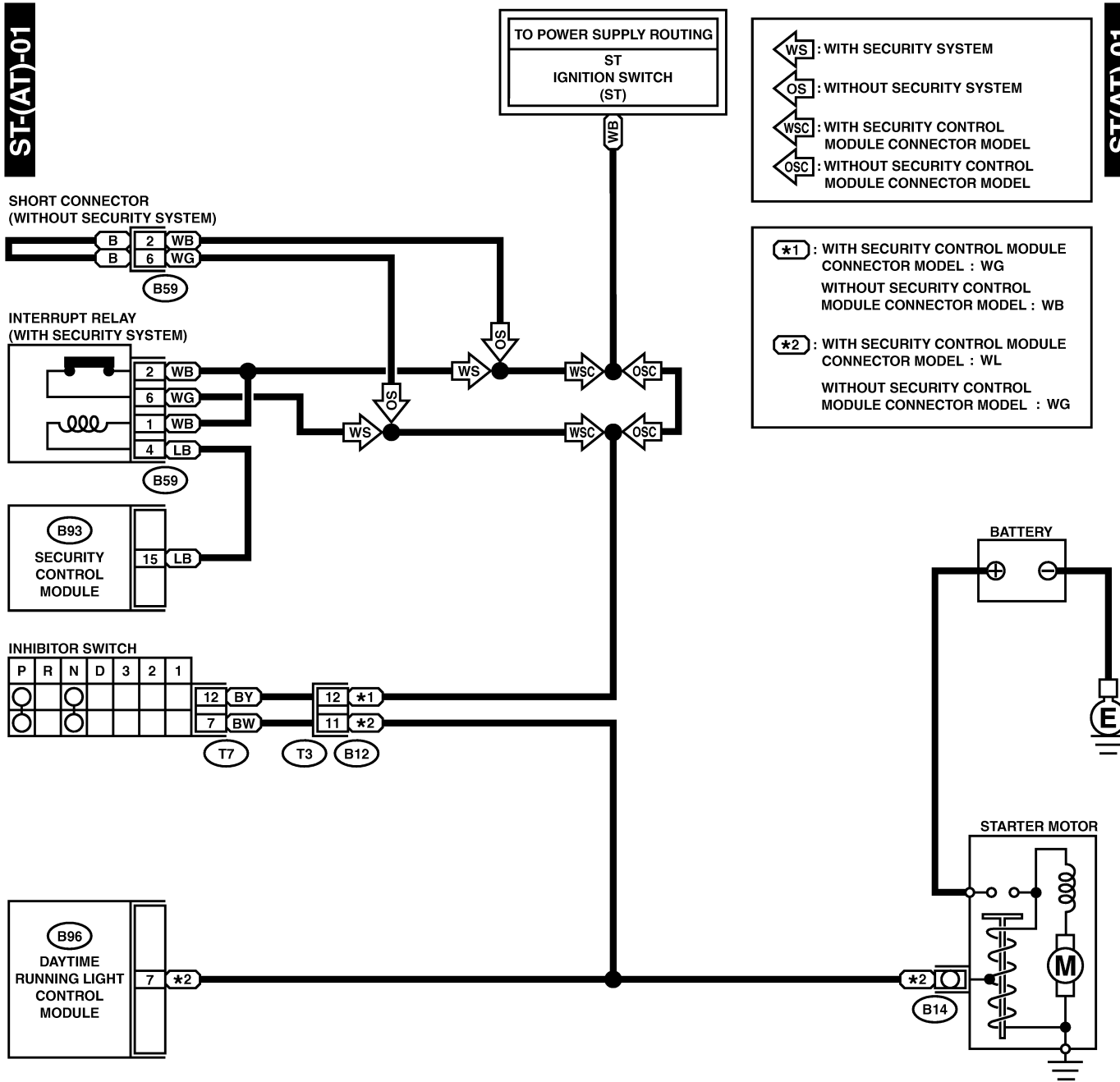
STARTER SYSTEM

Wiring System

2. AT MODEL S903439A2102

ST(AT)-01

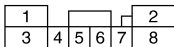
ST(AT)-01



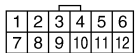
B59



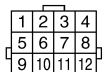
B96 (BLACK)



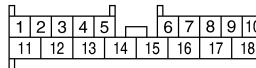
T7



B12 (BLACK)

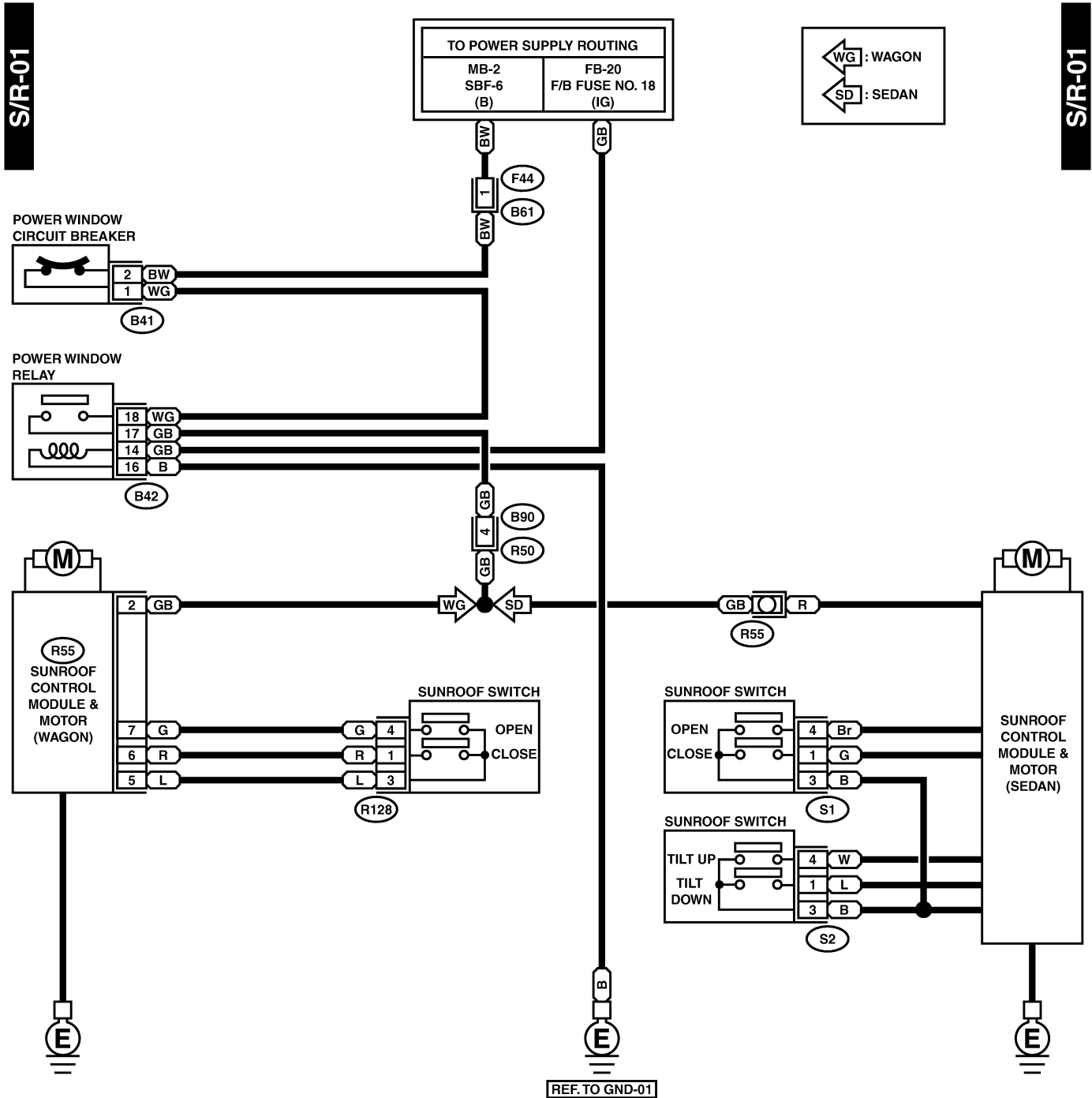


B93

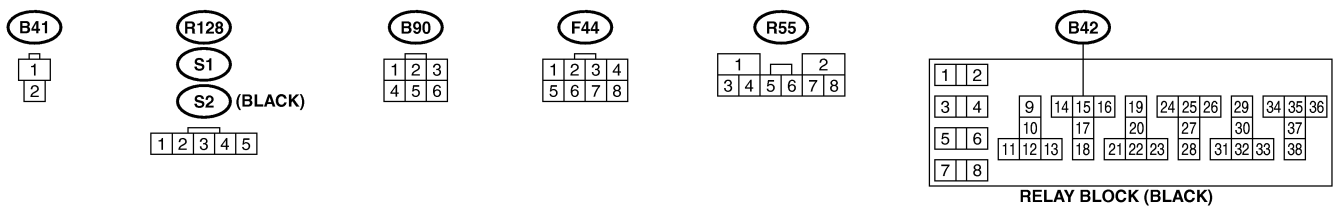


43. Sunroof System S903440

A: SCHEMATIC S903440A21



REF. TO GND-01



TRAILER WIRE HARNESS (OPTION)

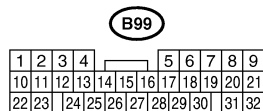
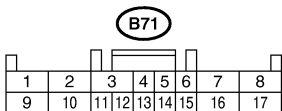
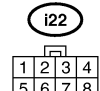
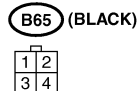
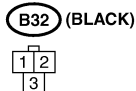
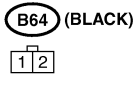
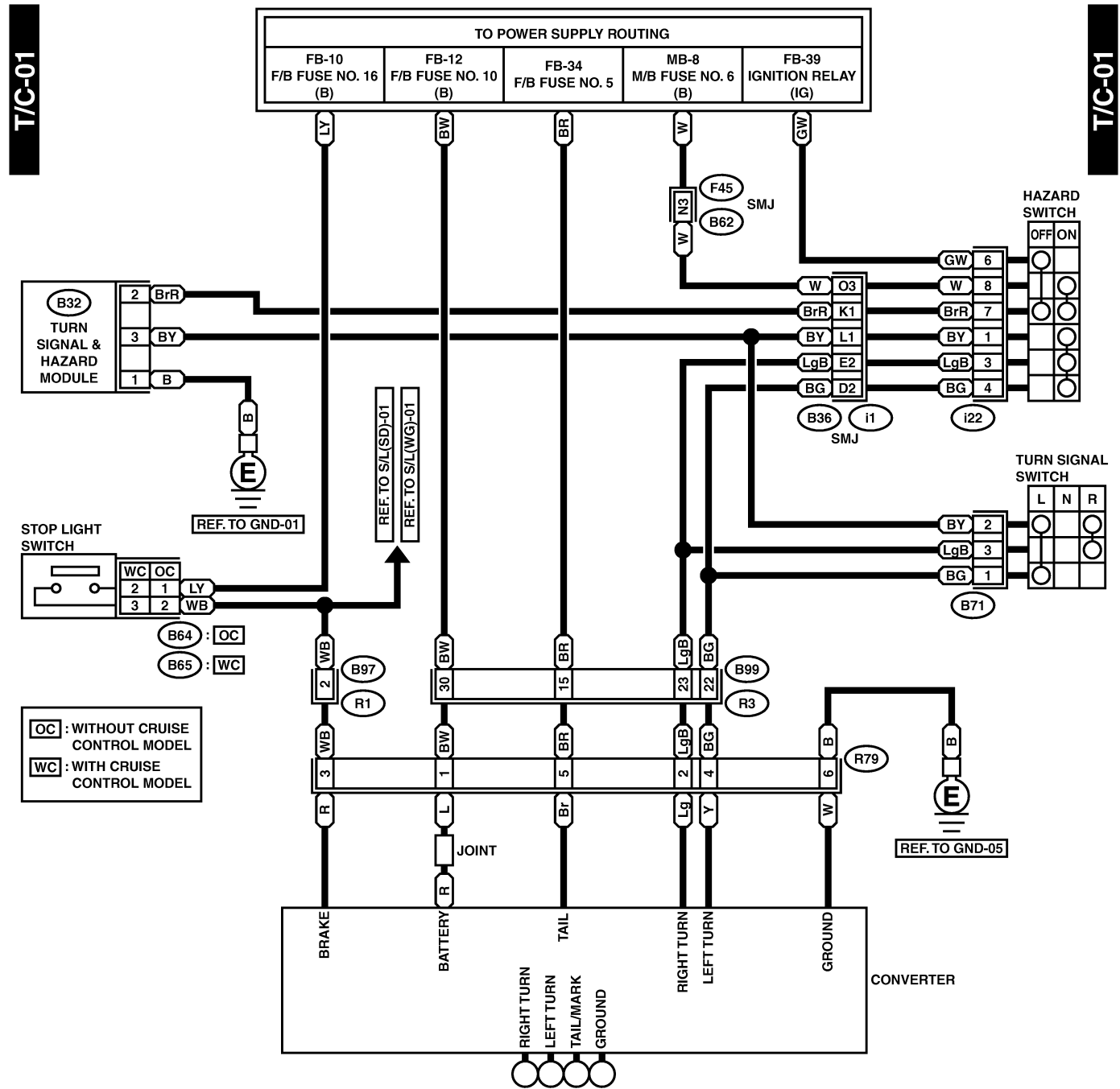
Wiring System

44. Trailer Wire Harness (Option)

S903671

A: SCHEMATIC

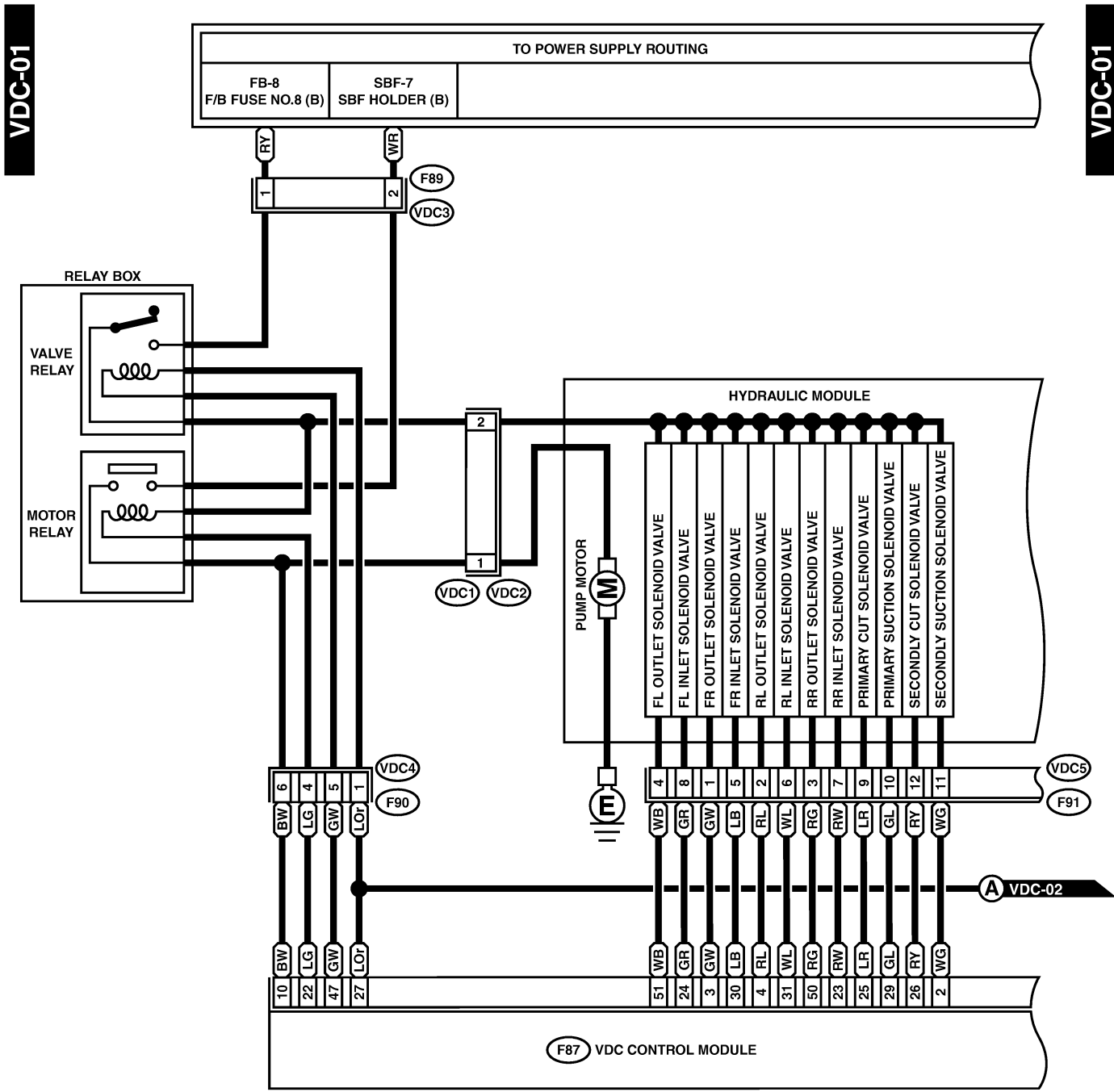
S903671A21



BU93-21

45. Vehicle Dynamic Control System S903441

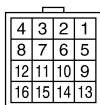
A: SCHEMATIC S903441A21



F89 (GRAY)

F90 (BLACK)

F91 (BLACK)

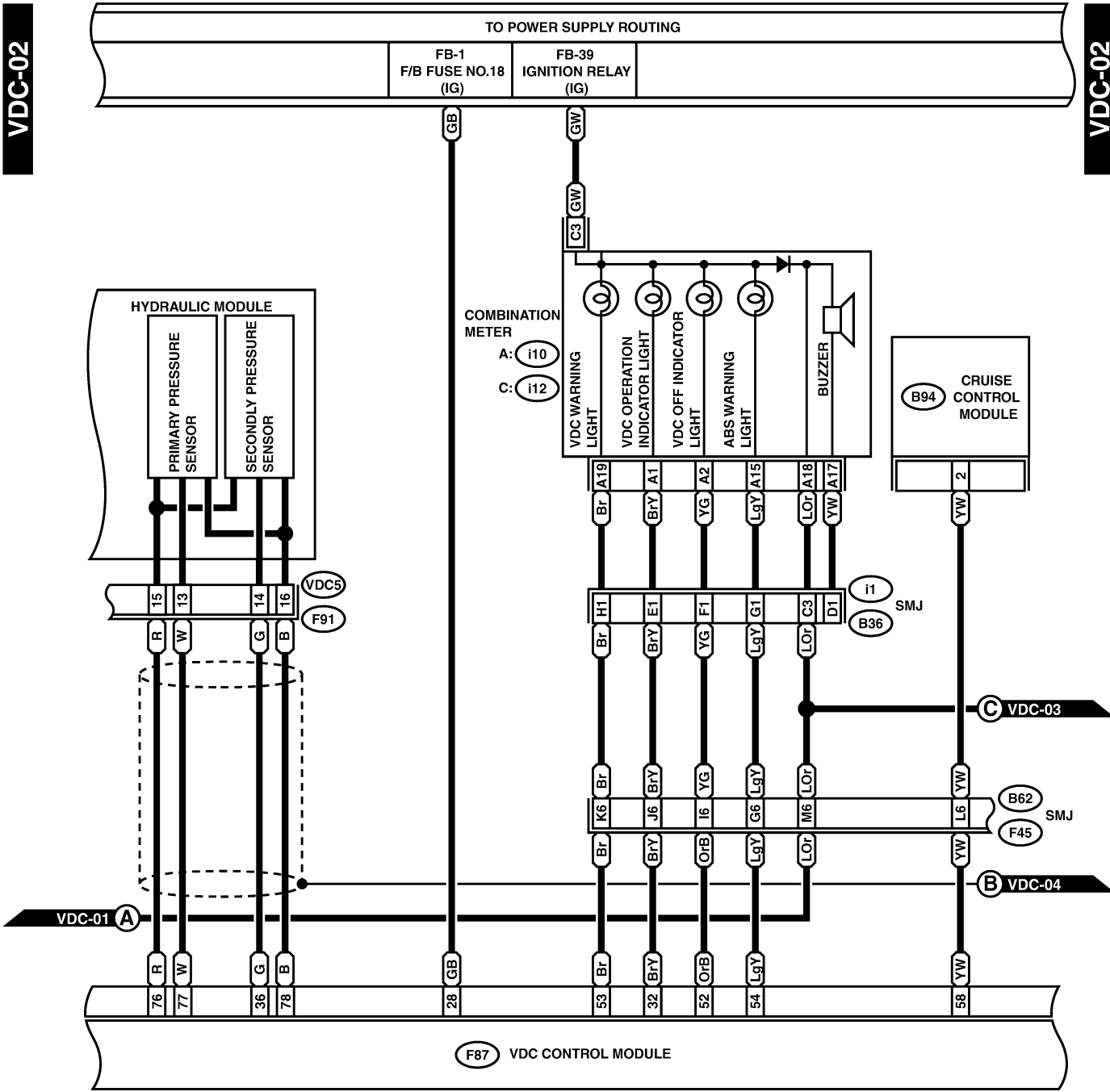


F87 (BLACK)

1	2	3	4	5	6	7	8	9	10	11	12	13	14	15	16	17	18	19	20	21	22	23	24	25	26	27	28		
⊗	29	30	31	32	33	34	35	36	37	38	39	40	41	42	43	44	45	46	47	48	49	50	51	52	53	54	55	⊗	
⊗	56	57	58	59	60	61	62	63	64	65	66	67	68	69	70	71	72	73	74	75	76	77	78	79	80	81	82	83	⊗

VEHICLE DYNAMIC CONTROL SYSTEM

Wiring System



C: i12 (GREEN)

1	2	3	4	5	6
7	8	9	10	11	12
13	14				

F91 (BLACK)

4	3	2	1
8	7	6	5
12	11	10	9
16	15	14	13

B94 (BLACK)

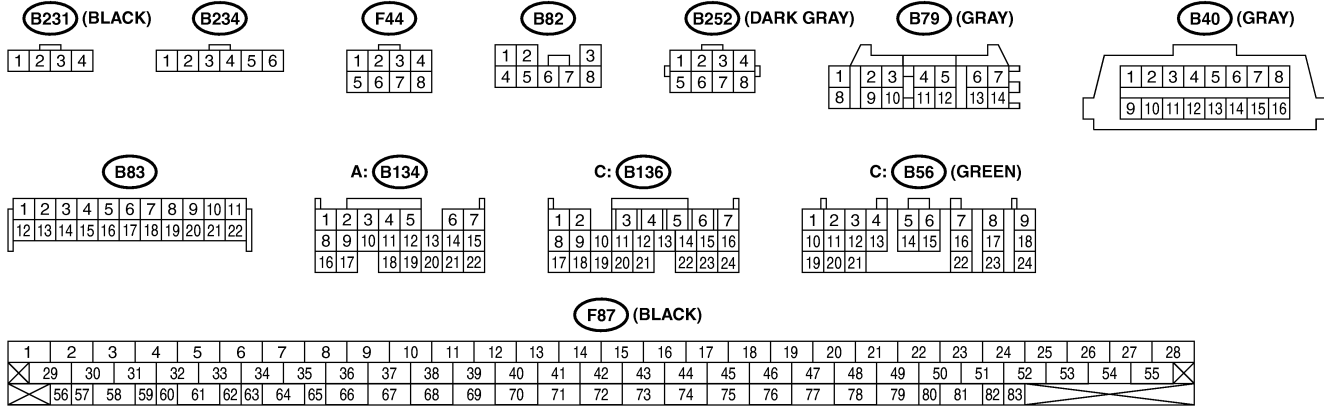
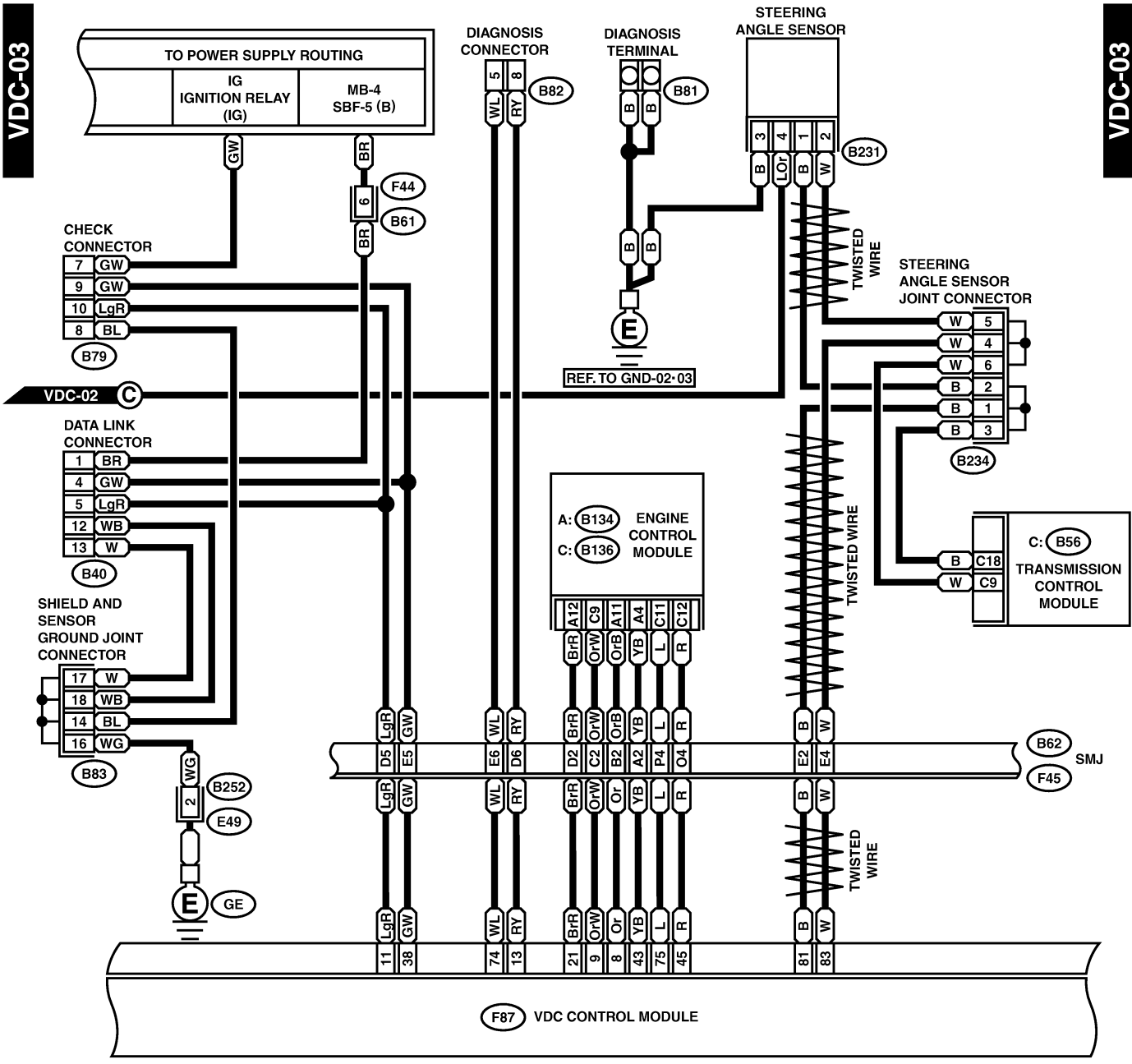
1	2	3	4	5	6	7	8	9	10
11	12	13	14	15	16	17	18	19	20

A: i10 (GREEN)

1	2	3	4	5	6	7	8	9	10	11	12	13	14
15	16	17	18	19	20	21	22	23	24	25	26	27	28
29	30												

F87 (BLACK)

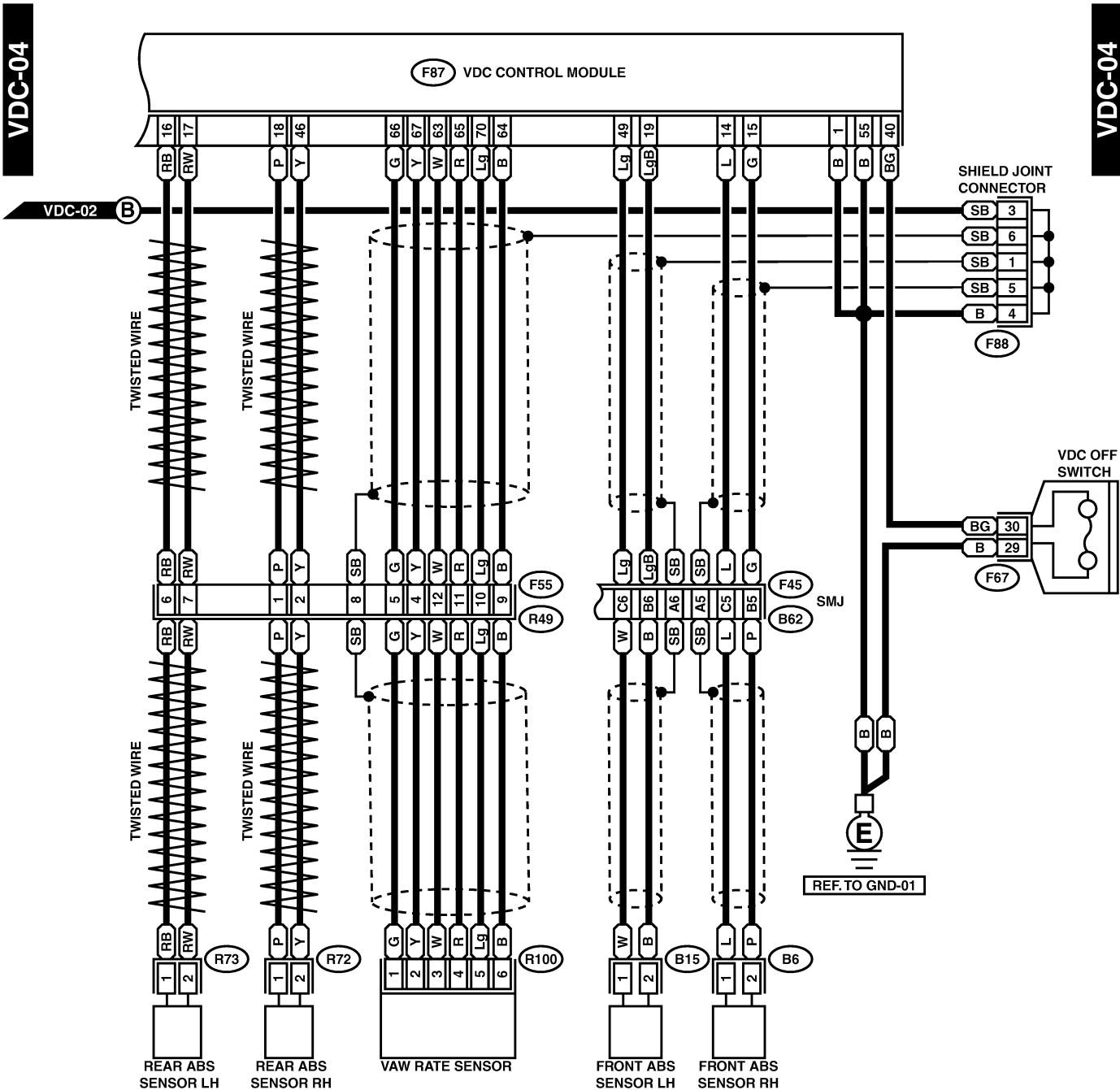
1	2	3	4	5	6	7	8	9	10	11	12	13	14	15	16	17	18	19	20	21	22	23	24	25	26	27	28
29	30	31	32	33	34	35	36	37	38	39	40	41	42	43	44	45	46	47	48	49	50	51	52	53	54	55	
56	57	58	59	60	61	62	63	64	65	66	67	68	69	70	71	72	73	74	75	76	77	78	79	80	81	82	83



1	2	3	4	5	6	7	8	9	10	11	12	13	14	15	16	17	18	19	20	21	22	23	24	25	26	27	28
29	30	31	32	33	34	35	36	37	38	39	40	41	42	43	44	45	46	47	48	49	50	51	52	53	54	55	
56	57	58	59	60	61	62	63	64	65	66	67	68	69	70	71	72	73	74	75	76	77	78	79	80	81	82	83

VEHICLE DYNAMIC CONTROL SYSTEM

Wiring System



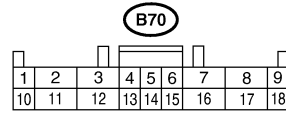
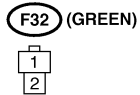
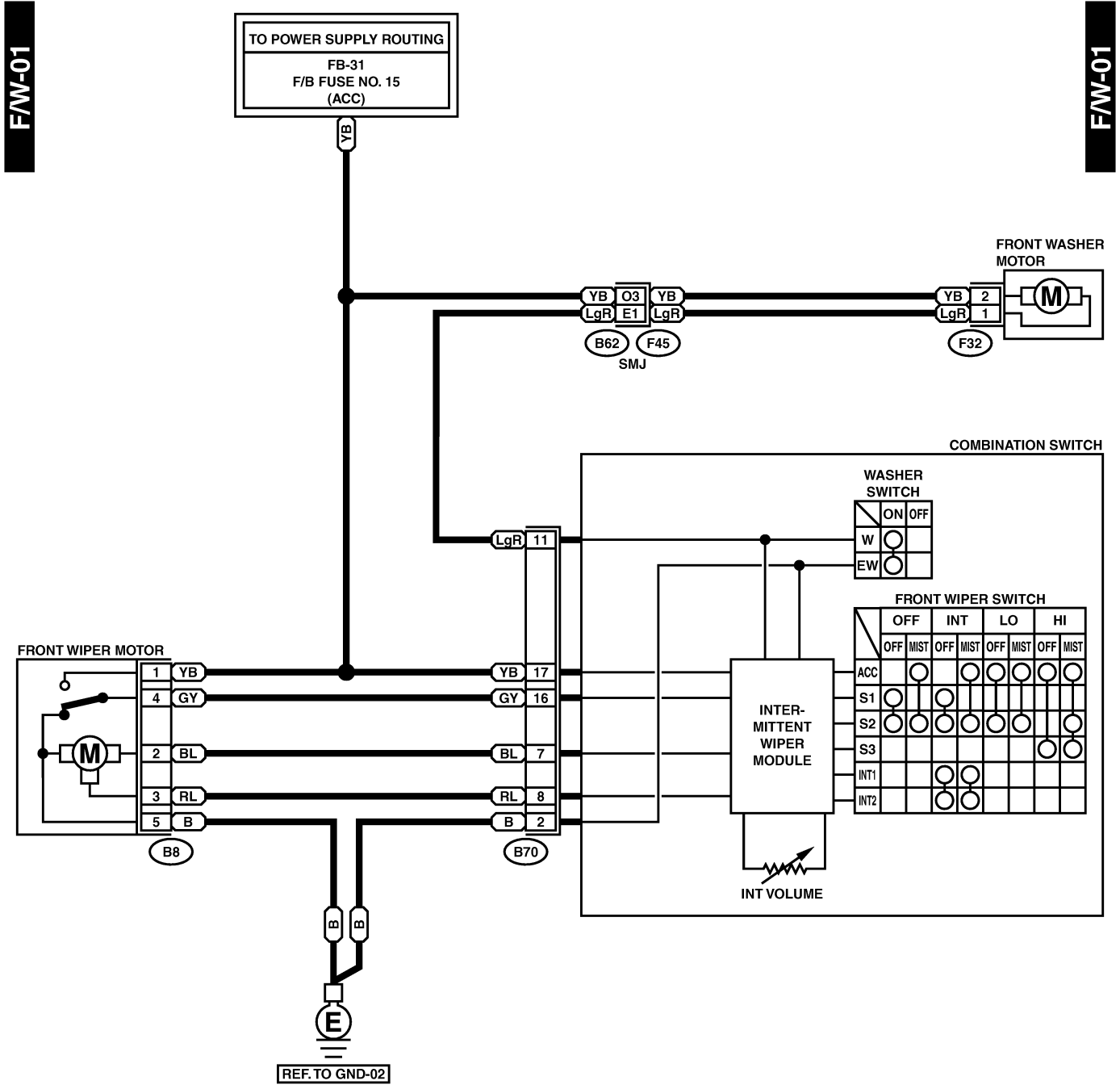
B6 (BROWN) **R100** **F88** **F55** **F67**
B15 (BROWN)
R73 (GRAY)
R72 (GRAY)

F87 (BLACK)

1	2	3	4	5	6	7	8	9	10	11	12	13	14	15	16	17	18	19	20	21	22	23	24	25	26	27	28
29	30	31	32	33	34	35	36	37	38	39	40	41	42	43	44	45	46	47	48	49	50	51	52	53	54	55	
56	57	58	59	60	61	62	63	64	65	66	67	68	69	70	71	72	73	74	75	76	77	78	79	80	81	82	83

46. Wiper and Washer System (Front) S903442

A: SCHEMATIC S903442A21



WIPER AND WASHER SYSTEM (REAR)

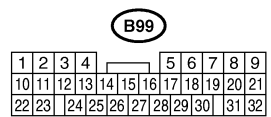
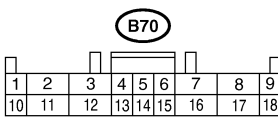
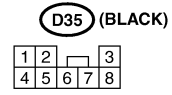
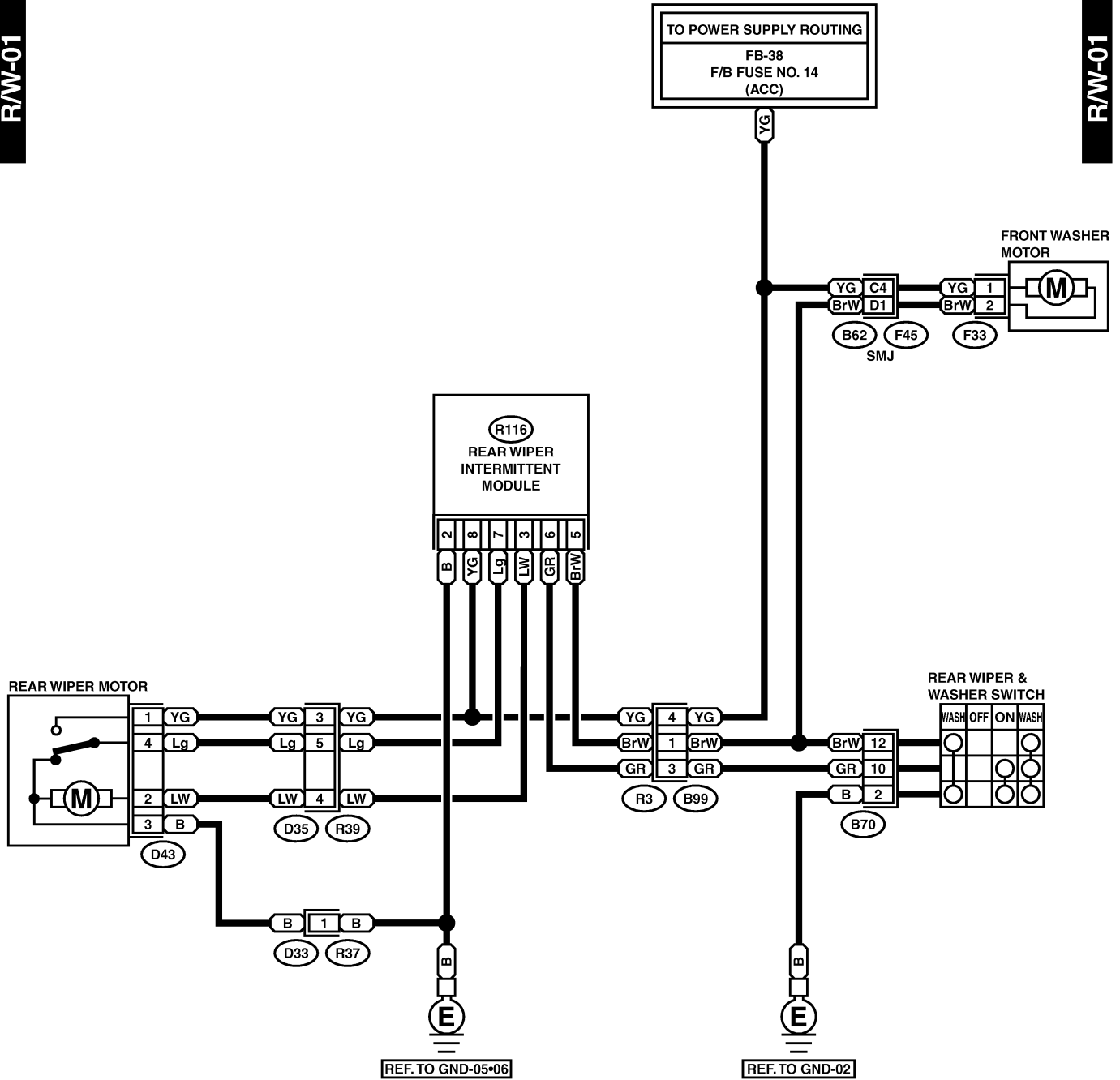
Wiring System

47. Wiper and Washer System (Rear) S903443

A: SCHEMATIC S903443A21

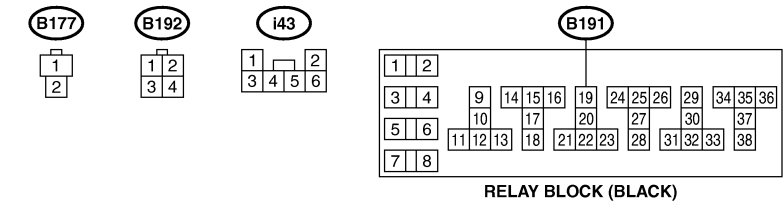
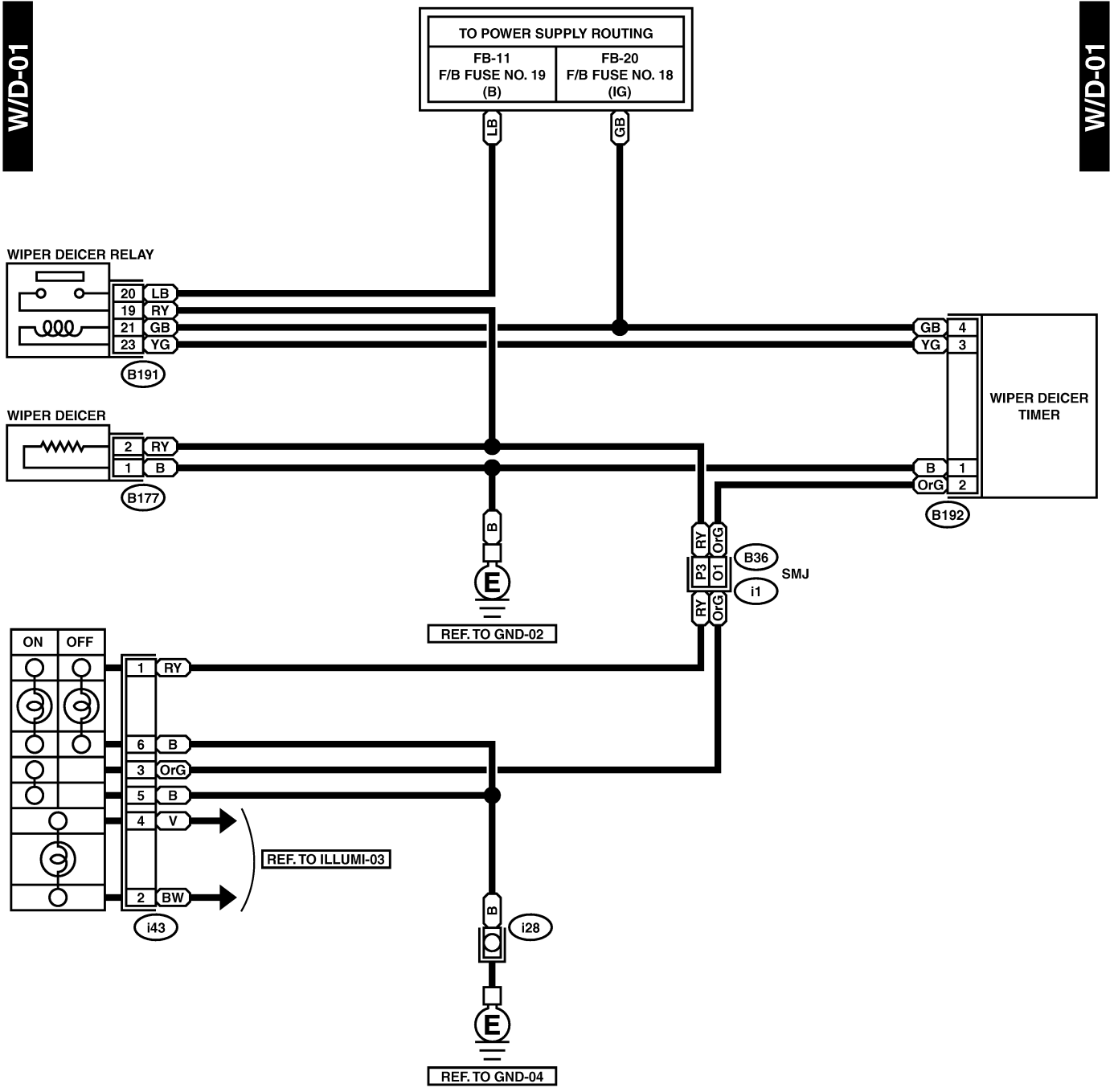
R/W-01

R/W-01



48. Wiper Deicer System S903444

A: SCHEMATIC S903444A21



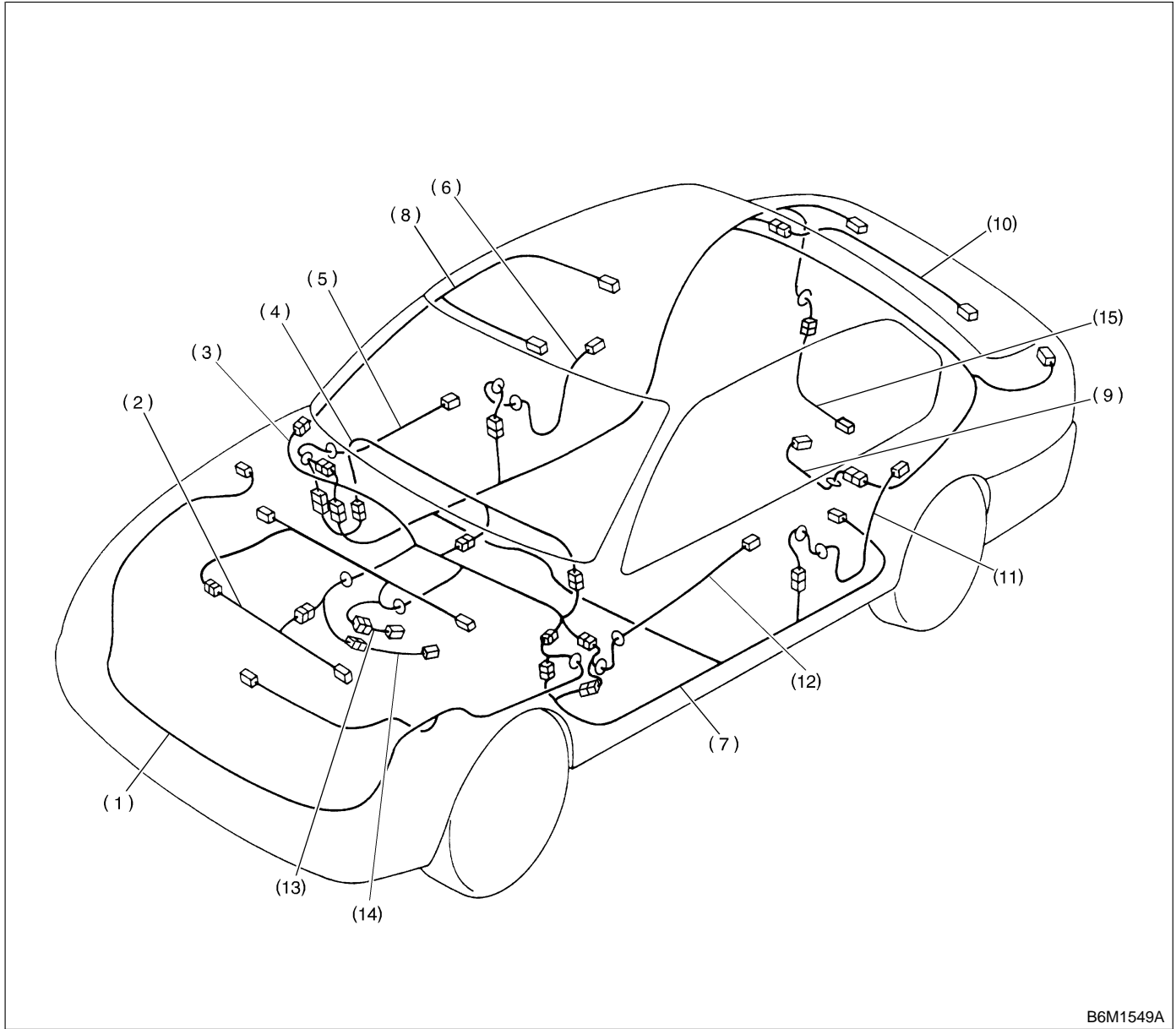
OVERALL SYSTEMS

Wiring System

49. Overall Systems S903672

A: LOCATION S903672A13

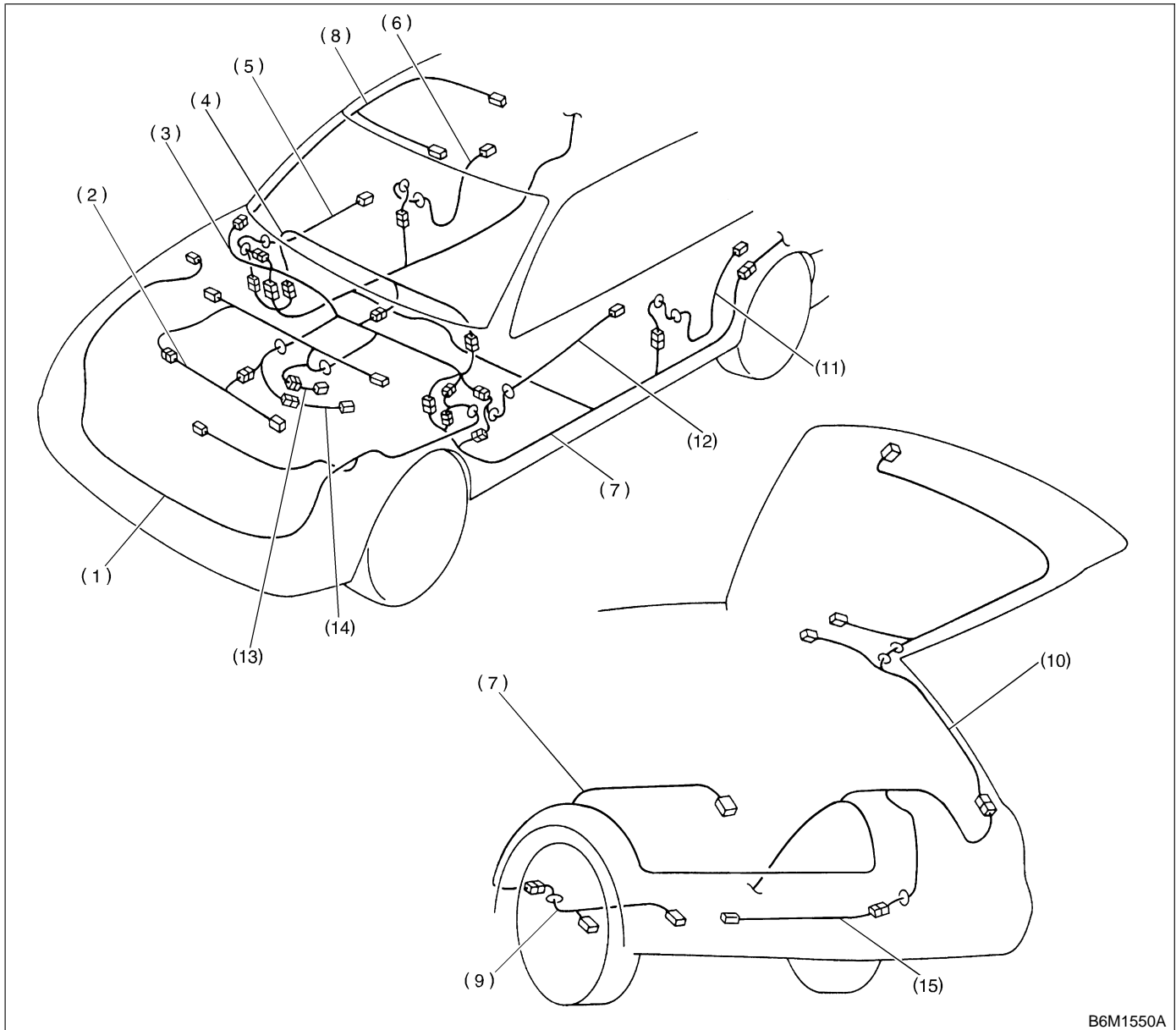
1. SEDAN MODEL S903672A1301



B6M1549A

- | | | |
|-------------------------------------|-------------------------|------------------------------|
| (1) Front wiring harness | (6) Rear door cord RH | (11) Rear door cord LH |
| (2) Engine wiring harness | (7) Rear wiring harness | (12) Front door cord LH |
| (3) Bulkhead wiring harness | (8) Roof cord | (13) Transmission cord |
| (4) Instrument panel wiring harness | (9) Fuel tank cord | (14) Rear oxygen sensor cord |
| (5) Front door cord RH | (10) Trunk lid cord | (15) ORVR cord |

2. WAGON MODEL S903672A1302



B6M1550A

- | | | |
|-------------------------------------|-------------------------|------------------------------|
| (1) Front wiring harness | (6) Rear door cord RH | (11) Rear door cord LH |
| (2) Engine wiring harness | (7) Rear wiring harness | (12) Front door cord LH |
| (3) Bulkhead wiring harness | (8) Roof cord | (13) Transmission cord |
| (4) Instrument panel wiring harness | (9) Fuel tank cord | (14) Rear oxygen sensor cord |
| (5) Front door cord RH | (10) Rear gate cord | (15) ORVR cord |

FRONT WIRING HARNESS

Wiring System

50. Front Wiring Harness S903445

A: LOCATION S903445A13

Connector				Connecting to	
No.	Pole	Color	Area	No.	Name
F3	2	Gray	B-1		Front turn signal light upper RH
F4	3	Gray	B-1		Front clearance light RH and front turn signal light lower RH
F5	1	Black	C-1		Horn
F6	2	★	C-1		Front fog light RH
F7	3	Black	C-1		Headlight RH (2-Lights)
	3	★	C-1		Headlight RH (4-Lights)
F16	2	Black	C-1		Sub fan motor (4-Cylinder engine model)
	4	Gray	C-1		Sub fan motor (6-Cylinder engine model)
F17	2	Black	C-2		Radiator main fan motor (4-Cylinder engine model)
	4	Gray	C-2		Radiator main fan motor (6-Cylinder engine model)
F19	2	Gray	C-3		Front turn signal light upper LH
F21	2	★	D-3		Front fog light LH
F22	3	Gray	C-3		Front clearance light LH and front turn signal light lower LH
F23	3	Black	C-2		Headlight LH (2-Lights)
	3	★	C-2		Headlight LH (4-Lights)
F25	1	★	C-2		Generator
F26	3	Green	C-2		
F27	4	Black	A-3		A/C fuse (Relay holder)
F28	4	Black	A-3		A/C sub fan relay (Relay holder-4-cylinder engine model)
	4	Black	A-4		A/C sub fan relay-1 (Relay holder-6-cylinder engine model)
F29	4	Black	A-4		A/C sub fan relay-2 (Relay holder-6-cylinder engine model)
F30	4	Black	A-3		Radiator main fan relay-2 (Relay holder-6-cylinder engine model)
F31	4	Black	A-3		A/C relay (Relay holder)
F32	2	Green	B-3		Front washer motor
F33	2	★	B-3		Rear washer motor
F34	4	Black	C-3		SBF holder
F35	2	Black	B-4		M/B
F36	3	★	C-4		
F37	6	Black	C-4		
F38	1	★	C-4		
F39	8	Black	B-3		F/B
F40	9	Brown	C-4		
F41	7	Gray	B-4		
F44	8	★	B-4	B61	Bulkhead wiring harness
F45	66	Gray	B-3	B62	Bulkhead wiring harness (SMJ)
F46	4	★	B-3	B108	Bulkhead wiring harness
F47	1	Black	C-2		Horn
F49	31	Black	B-2		ABS control module
F55	8	★	B-4	R49	Rear wiring harness (ABS)
	12	★	B-4	R49	Rear wiring harness (VDC)
F65	4	Black	A-4		Front fog light relay (Relay holder)
F66	4	Black	A-3		Radiator main fan relay (Relay holder-4-cylinder engine model)
	4	Black	A-3		Radiator main fan relay-1 (Relay holder-6-cylinder engine model)
F68	4	Black	C-4		M/B
F73	1	★	B-2		ABS motor ground

FRONT WIRING HARNESS

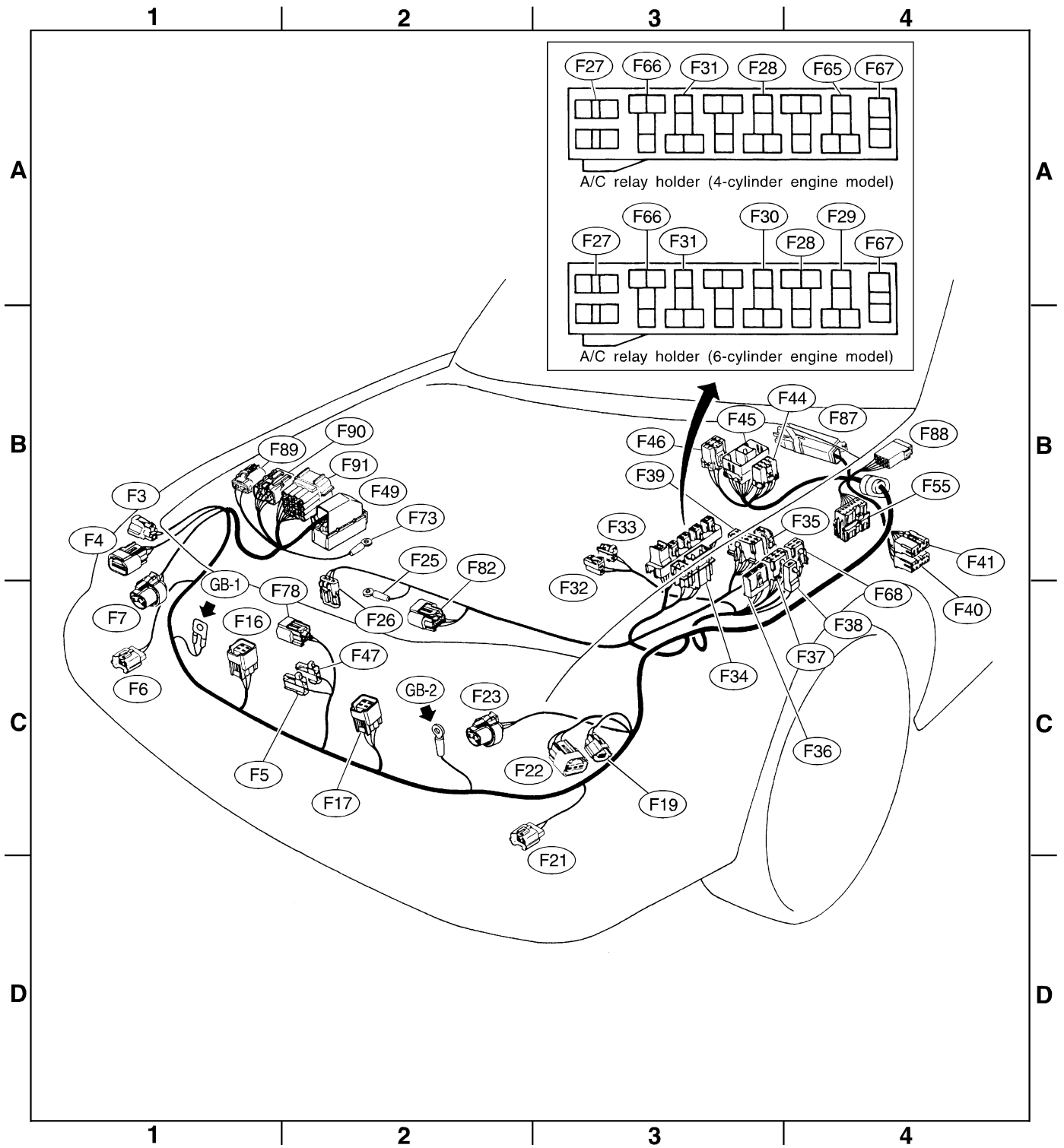
Wiring System

Connector				Connecting to	
No.	Pole	Color	Area	No.	Name
F78	2	Black	C-2		Ambient sensor
F82	3	Black	C-2		A/C compressor
F87	83	Black	B-4		VDC module
F88	8	★	B-4		Shield joint connector (VDC)
F89	2	Gray	B-1		Relay box (VDC)
F90	6	Black	B-2		
F91	16	Black	B-2		Hydraulic module (VDC)

★: Non-colored

FRONT WIRING HARNESS

Wiring System



B6M1551A

**51. Bulkhead Wiring Harness
(In Engine Room)** S903438

A: LOCATION S903438A13

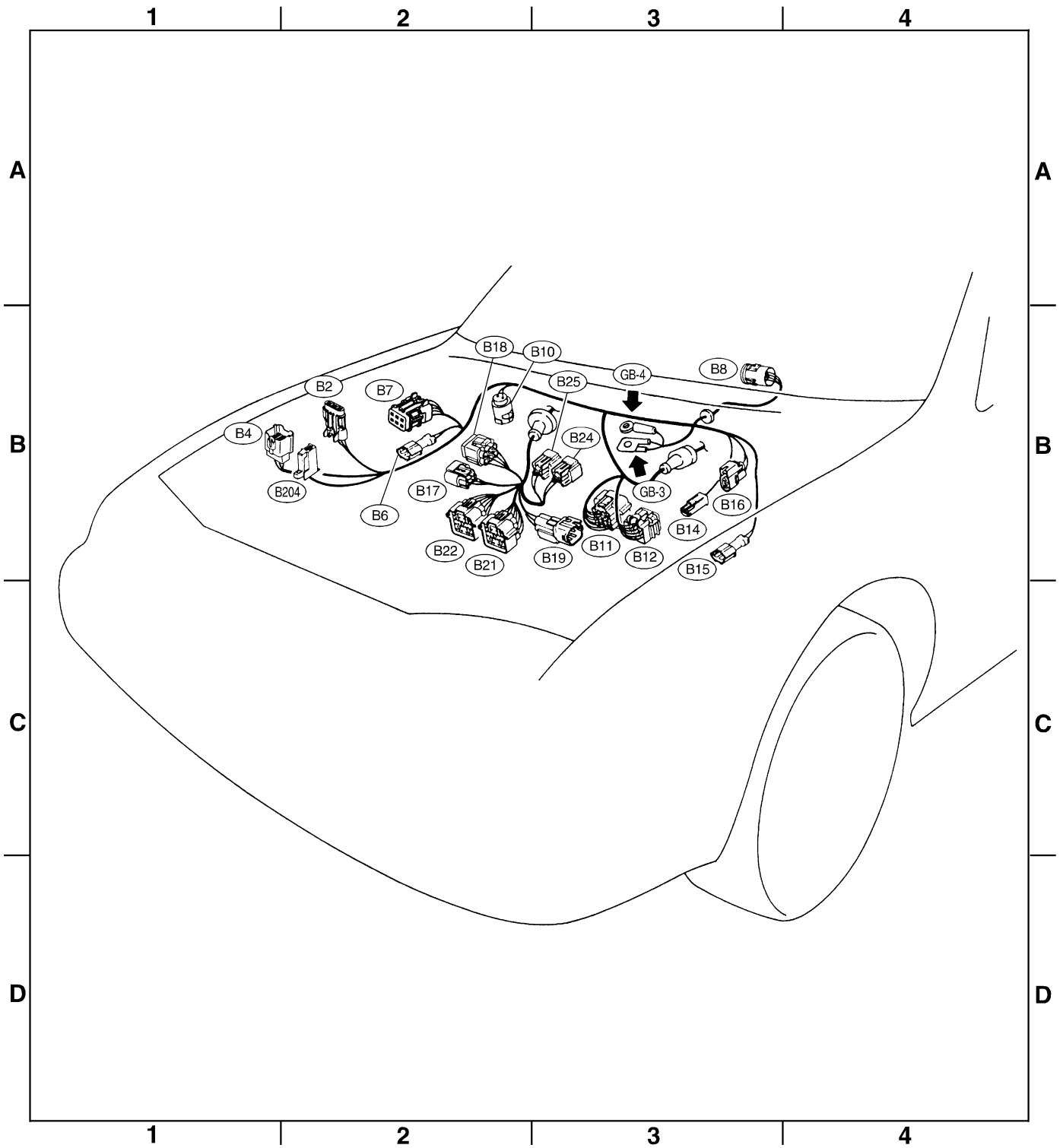
1. 4-CYLINDER ENGINE MODEL S903438A1302

Connector				Connecting to	
No.	Pole	Color	Area	No.	Name
B2	3	Gray	B-2		Atmospheric pressure sensor (AT)
B4	4	Gray	B-2		AT dropping resistor
B6	2	Brown	B-2		ABS front sensor RH (Outback model)
	2	Gray	B-2		ABS front sensor RH (Other models)
B7	6	Black	B-2		Cruise control actuator
B8	5	Gray	B-3		Front wiper motor
B10	2	Brown	B-2		A/C pressure switch
B11	20	Black	B-3	T4	Transmission (AT)
B12	12	Black	B-3	T3	
B14	1	Black	B-3		Starter (Magnet)
B15	2	Brown	B-3		ABS front sensor LH (Outback model)
	2	Gray	B-3		ABS front sensor LH (Other models)
B16	2	Gray	B-3		Brake fluid level switch
B17	3	Black	B-2		Vehicle speed sensor (MT)
B18	4	Gray	B-2		Front oxygen (A/F) sensor (MT)
	6	Black	B-2		Front oxygen (A/F) sensor (AT)
B19	4	Gray	B-3	T5	Rear oxygen sensor cord
B21	20	Gray	B-2	E2	Engine wiring harness
B22	16	Brown	B-2	E3	
B24	2	Gray	B-3	T1	Back-up light switch (MT)
B25	2	Brown	B-3	T2	Neutral position switch (MT)
B204	1	Black	B-2		Security horn

★: Non-colored

BULKHEAD WIRING HARNESS (IN ENGINE ROOM)

Wiring System



B6M1319A

BULKHEAD WIRING HARNESS (IN ENGINE ROOM)

Wiring System

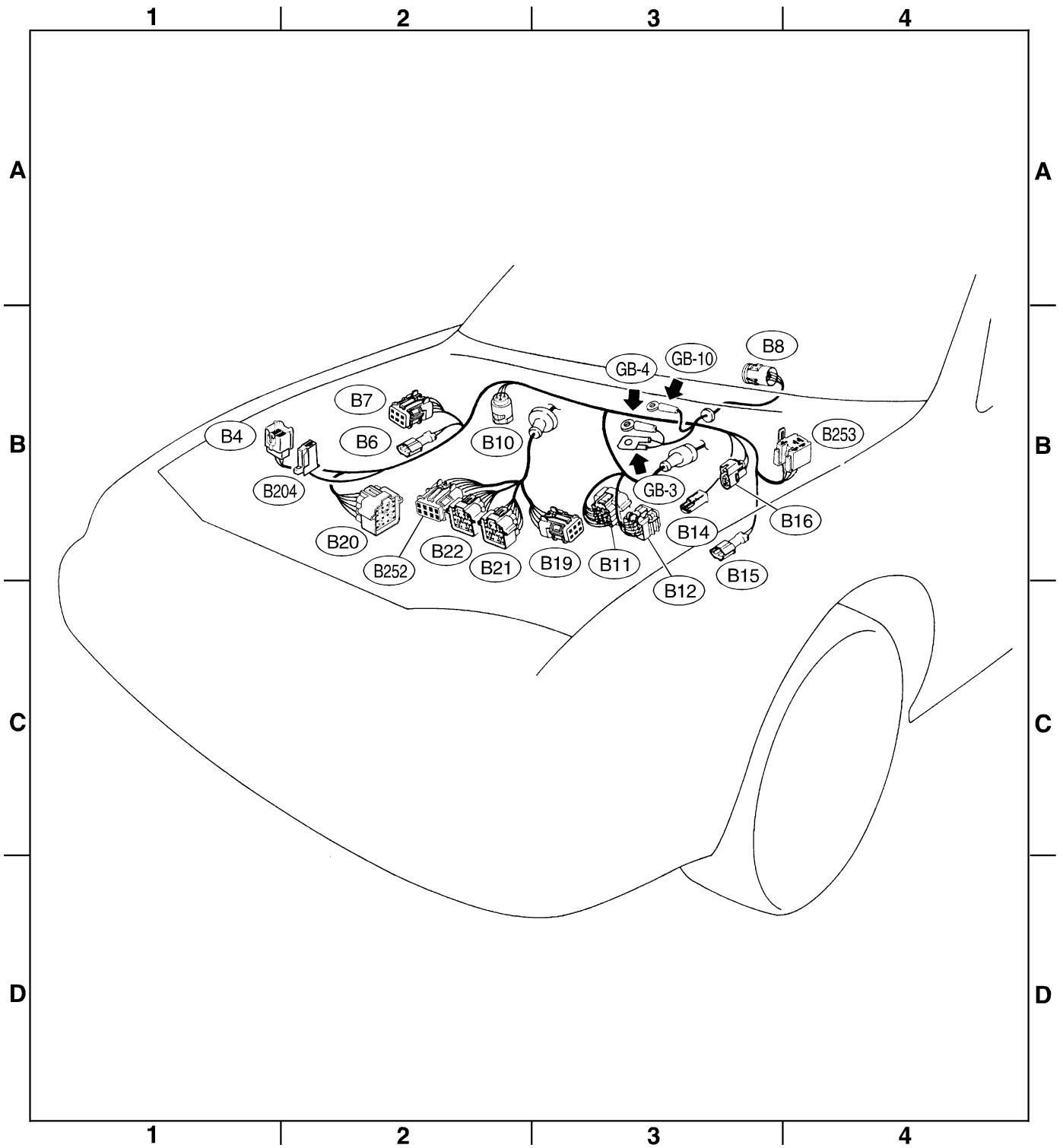
2. 6-CYLINDER ENGINE MODEL S903438A1303

Connector				Connecting to	
No.	Pole	Color	Area	No.	Name
B4	4	Gray	B-2		AT dropping resistor
B6	2	Brown	B-2		ABS front sensor RH
B7	6	Black	B-2		Cruise control actuator
B8	5	Gray	B-3		Front wiper motor
B10	4	★	B-2		A/C pressure switch
B11	20	Black	B-3	T4	Transmission (AT)
B12	12	Black	B-3	T3	
B14	1	Black	B-3		Starter (Magnet)
B15	2	Brown	B-3		ABS front sensor LH
B16	2	Gray	B-3		Brake fluid level switch
B19	6	★	B-3	T5	Rear oxygen sensor cord
B20	16	Dark gray	B-2	E1	Engine wiring harness
B21	20	Light gray	B-2	E2	
B22	16	Brown	B-2	E3	
B204	1	Black	B-2		Security horn
B252	8	Dark gray	B-2	E49	Engine wiring harness
B253	5	★	B-3		Fan relay

★: Non-colored

BULKHEAD WIRING HARNESS (IN ENGINE ROOM)

Wiring System



B6M1552A

52. Bulkhead Wiring Harness (In Compartment) S903446

A: LOCATION S903446A13

1. 4-CYLINDER ENGINE MODEL S903446A1302

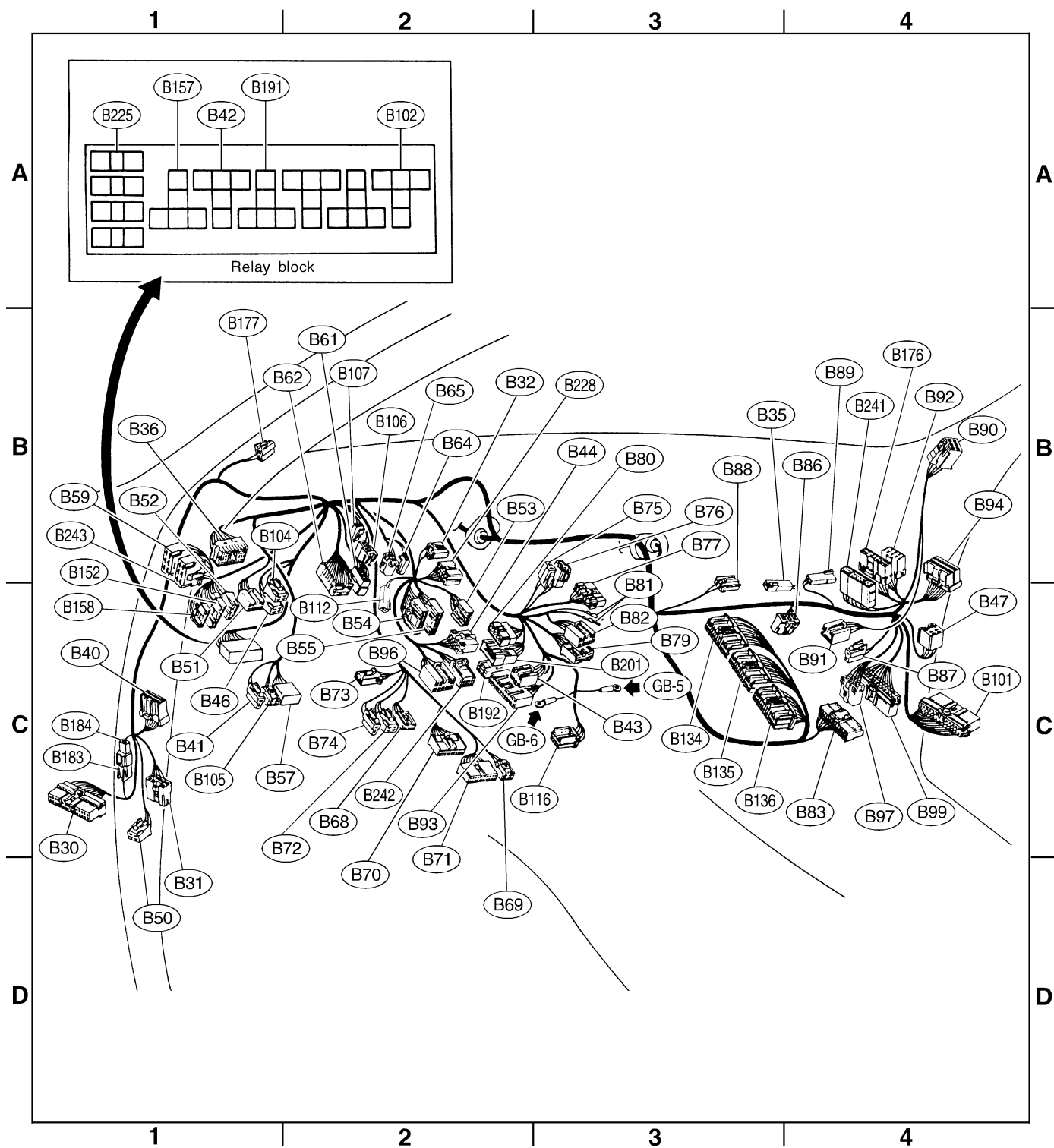
Connector				Connecting to	
No.	Pole	Color	Area	No.	Name
B30	24	★	C-1	D1	Front door cord LH
B31	7	Yellow	D-1	AB1	SRS (Airbag) harness
B32	3	Black	B-2		Turn & hazard module
B35	2	Black	B-4		Diode (Step light)
B36	66	★	B-1	i1	Instrument panel wiring harness (SMJ)
B40	16	★	C-1		Data link connector
B41	2	★	C-1		Power window circuit breaker
B42	5	Black	A-1		Power window relay (Relay block)
B43	6	Black	C-3		Illumination control module
B44	8	★	C-2		Seat belt timer
B46	4	Green	C-1		Fuel pump relay
B47	6	Brown	C-4		Main relay
B50	4	Black	D-1		Blower relay
B51	8	★	C-1		F/B
B52	7	★	B-1		
B53	6	Gray	B-2		Shield joint connector (AT)
B54	24	★	C-2		Transmission control module
B55	24	Gray	C-2		
B57	12	★	C-2		AT shift lock control module
B59	6	★	B-1		Interrupt relay (Security)
B61	8	★	B-2	F44	Front wiring harness
B62	66	★	B-2	F45	Front wiring harness (SMJ)
B64	2	Black	B-2		Stop light switch
B65	4	Black	B-2		Stop & brake switch (With cruise control)
B68	5	Black	C-2		Cruise control sub switch
B69	4	★	D-2		
B70	18	★	C-2		Combination switch
B71	17	★	C-2		
B72	4	Blue	C-2		Ignition switch
B73	2	★	C-2		Key lock solenoid
B74	2	Black	C-2		Key warning switch
B75	2	Green	B-3	B76	Test mode connector
B76	2	Green	B-3	B75	
B77	10	Brown	B-3		Mode actuator
B79	14	Gray	C-3		Check connector
B80	8	★	C-2	i20	Instrument panel wiring harness
B81	1 × 2	★	C-3		Diagnosis terminal (Ground)
B82	8	★	C-3		Diagnosis connector
B83	12	Blue	C-4		Shield & sensor ground joint connector (E/G)
B86	6	Black	B-4		Blower motor resistor

Connector				Connecting to	
No.	Pole	Color	Area	No.	Name
B87	2	★	C-4		Blower motor
B88	3	Black	B-3		Evaporator thermostat
B89	2	★	B-4		Diode (Rear gate)
B90	6	★	B-4	R50	Roof cord
B91	6	Black	C-4		FRESH/RECIRC actuator
B92	8	★	B-4		Door lock timer
B93	18	★	C-2		Security control module
B94	20	Black	B-4		Cruise control module
B96	8	Black	C-2		Daytime running light control module
B97	8	★	C-4	R1	Rear wiring harness
B99	32	★	C-4	R3	
B101	24	★	C-4	D11	Front door cord RH
B102	5	Black	A-2		Daytime running light relay (Relay block)
B104	4	★	B-1		Seat heater/rear accessory power supply relay
B105	4	Blue	C-1		Starter interlock relay (MT)
B106	2	★	B-2		Clutch switch (MT)
B107	2	Blue	B-2		Clutch switch (Cruise control)
B112	2	Black	C-2		Diode (Front fog light)
B116	6	★	C-3		Select lever illumination light (AT)
B134	35	★	C-3		Engine control module (MT)
	35	Gray	C-3		Engine control module (AT)
B135	28	★	C-3		Engine control module (MT)
	28	Gray	C-3		Engine control module (AT)
B136	30	★	C-3		Engine control module (MT)
	30	Gray	C-3		Engine control module (AT)
B152	12	★	B-1		F/B
B157	5	Black	A-1		Ignition relay (Relay block)
B158	10	Gray	C-1		F/B
B176	16	★	B-4		Keyless entry control module
B177	2	★	B-1		Wiper deicer
B183	1	★	C-1	B184	Joint connector (Keyless entry)
B184	1	★	C-1	B183	
B191	5	Black	A-1		Wiper deicer relay (Relay block)
B192	4	★	C-2		Wiper deicer timer
B201	10	★	C-2	i40	Instrument panel wiring harness
B225	8	Black	A-1		Fuse (Relay block)
B228	15	★	B-2		OP connector
B241	16	★	C-4	B176	Short connector (Without keyless entry)
B242	10	★	C-2		Daytime running light control module
B243	6	Black	B-1		Security horn relay

★: Non-colored

BULKHEAD WIRING HARNESS (IN COMPARTMENT)

Wiring System



B6M1320A

BULKHEAD WIRING HARNESS (IN COMPARTMENT)

Wiring System

2. 6-CYLINDER ENGINE MODEL S903446A1303

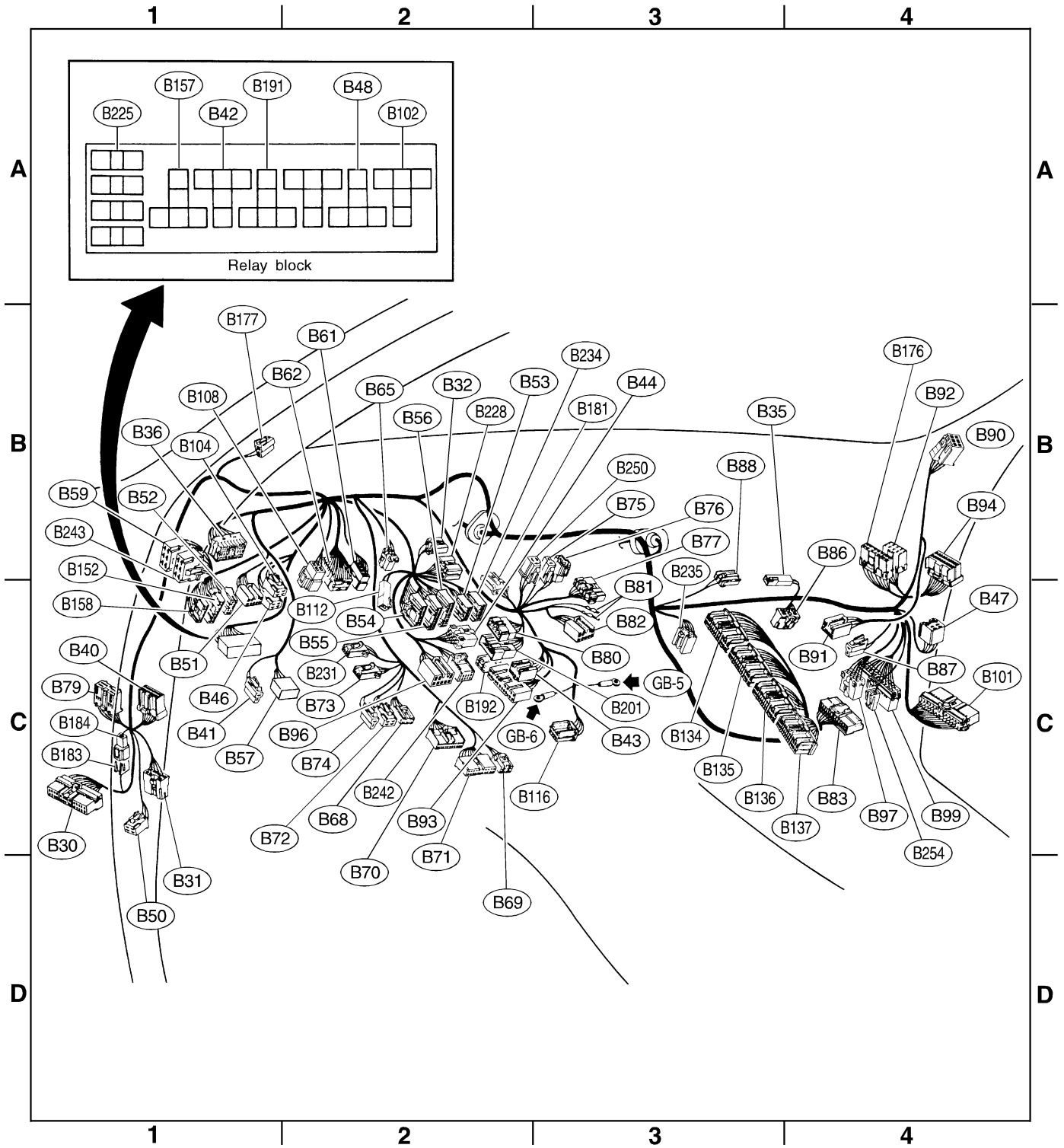
Connector				Connecting to	
No.	Pole	Color	Area	No.	Name
B30	24	★	C-1	D1	Front door cord LH
B31	7	Yellow	D-1	AB1	SRS (Airbag) harness
B32	3	Black	B-2		Turn & hazard module
B35	2	Black	B-4		Diode (Step light)
B36	66	★	B-1	i1	Instrument panel wiring harness (SMJ)
B40	16	★	C-1		Data link connector
B41	2	★	C-1		Power window circuit breaker
B42	5	Black	A-1		Power window relay (Relay block)
B43	6	Black	C-3		Illumination control module
B44	8	★	C-2		Seat belt timer
B46	4	Green	C-1		Fuel pump relay
B47	6	Brown	C-4		Main relay
B48	5	Black	A-2		Front fog light relay (Relay block)
B50	4	Black	D-1		Blower relay
B51	8	★	C-1		F/B
B52	7	★	B-1		
B53	6	Gray	B-2		Shield joint connector (AT)
B54	24	★	C-2		
B55	24	Gray	C-2		Transmission control module
B56	24	Green	C-2		
B57	12	★	C-2		AT shift lock control module
B59	6	★	B-1		Interrupt relay (Security)
B61	8	★	B-2	F44	Front wiring harness
B62	66	★	B-2	F45	Front wiring harness (SMJ)
B65	4	Black	B-2		Stop & brake switch (With cruise control)
B68	5	Black	C-2		Cruise control sub switch
B69	4	★	D-2		
B70	18	★	C-2		Combination switch
B71	17	★	C-2		
B72	4	Blue	C-2		Ignition switch
B73	2	★	C-2		Key lock solenoid
B74	2	Black	C-2		Key warning switch
B75	2	Green	B-3	B76	Test mode connector
B76	2	Green	B-3	B75	
B77	10	Brown	B-3		Mode actuator
B79	14	Gray	C-1		Check connector
B80	8	★	C-2	i20	Instrument panel wiring harness
B81	1 × 2	★	C-3		Diagnosis terminal (Ground)
B82	8	★	C-3		Diagnosis connector
B83	20	★	C-4		Shield & sensor ground joint connector (E/G)

Connector				Connecting to	
No.	Pole	Color	Area	No.	Name
B86	4	★	B-4		Blower motor resistor
B87	2	★	C-4		Blower motor
B88	3	★	B-3		Evaporator thermostat
B90	6	★	B-4	R50	Roof cord
B91	6	Black	C-4		FRESH/RECIRC actuator
B93	18	★	C-2		Security control module
B94	20	Black	B-4		Cruise control module
B96	8	Black	C-2		Daytime running light control module
B97	8	★	C-4	R1	Rear wiring harness
B99	32	★	C-4	R3	
B101	24	★	C-4	D11	Front door cord RH
B102	5	Black	A-2		Daytime running light relay (Relay block)
B104	4	★	B-1		Seat heater/rear accessory power supply relay
B108	4	★	B-2	F46	Front wiring harness
B112	2	Black	C-2		Diode (Front fog light)
B116	6	★	C-3		Select lever illumination light (AT)
B134	22	★	C-3		Engine control module
B135	28	★	C-3		
B136	24	★	C-3		
B137	31	★	C-4		
B152	12	★	B-1		F/B
B157	5	Black	A-1		Ignition relay (Relay block)
B158	10	Gray	C-1		F/B
B176	16	★	B-4		Keyless entry control module
B177	2	★	B-1		Wiper deicer
B181	4	★	C-2		Fan ground joint connector
B183	1	★	C-1	B184	Joint connector (Keyless entry)
B184	1	★	C-1	B183	
B191	5	Black	A-1		Wiper deicer relay (Relay block)
B192	4	★	C-2		Wiper deicer timer
B201	10	★	C-2	i40	Instrument panel wiring harness
B225	8	Black	A-1		Fuse (Relay block)
B228	15	★	B-2		OP connector
B231	4	Black	C-2		Steering angle sensor (VDC)
B234	6	★	C-2		Joint connector (VDC)
B235	6	Black	C-3		Air mix actuator
B242	10	★	C-2		Daytime running light control module
B243	6	Black	B-1		Security horn relay
B250	3	★	B-3		Flash memory connector
B254	1	★	C-4	R140	Rear wiring harness

★: Non-colored

BULKHEAD WIRING HARNESS (IN COMPARTMENT)

Wiring System



B6M1553A

53. Engine Wiring Harness and Transmission Cord S903447

A: LOCATION S903447A13

1. 4-CYLINDER ENGINE MT MODEL S903447A1301

Connector				Connecting to	
No.	Pole	Color	Area	No.	Name
E2	20	★	A-2	B21	Bulkhead wiring harness
E3	16	Brown	A-2	B22	Bulkhead wiring harness
E4	2	Blue	A-2		Purge control solenoid valve
E5	2	Gray	B-1		Injector #1
E6	2	Gray	A-2		Injector #3
E7	3	Gray	A-3		Idle air control solenoid valve
E8	3	★	B-2		Engine coolant temperature sensor and thermometer
E10	2	★	B-2		Crankshaft position sensor
E11	1	★	B-2		Oil pressure switch
E12	4	Dark gray	A-2		Ignition coil and ignitor
E13	3	Black	A-3		Throttle position sensor
E14	2	Gray	B-3		Knock sensor
E15	2	★	B-3		Camshaft position sensor
E16	2	Gray	B-3		Injector #2
E17	2	Gray	B-4		Injector #4
E19	2	★	B-2		Power steering oil pressure switch
E20	2	Black	A-3		Intake air temperature sensor
E21	3	★	A-3		Intake manifold pressure sensor

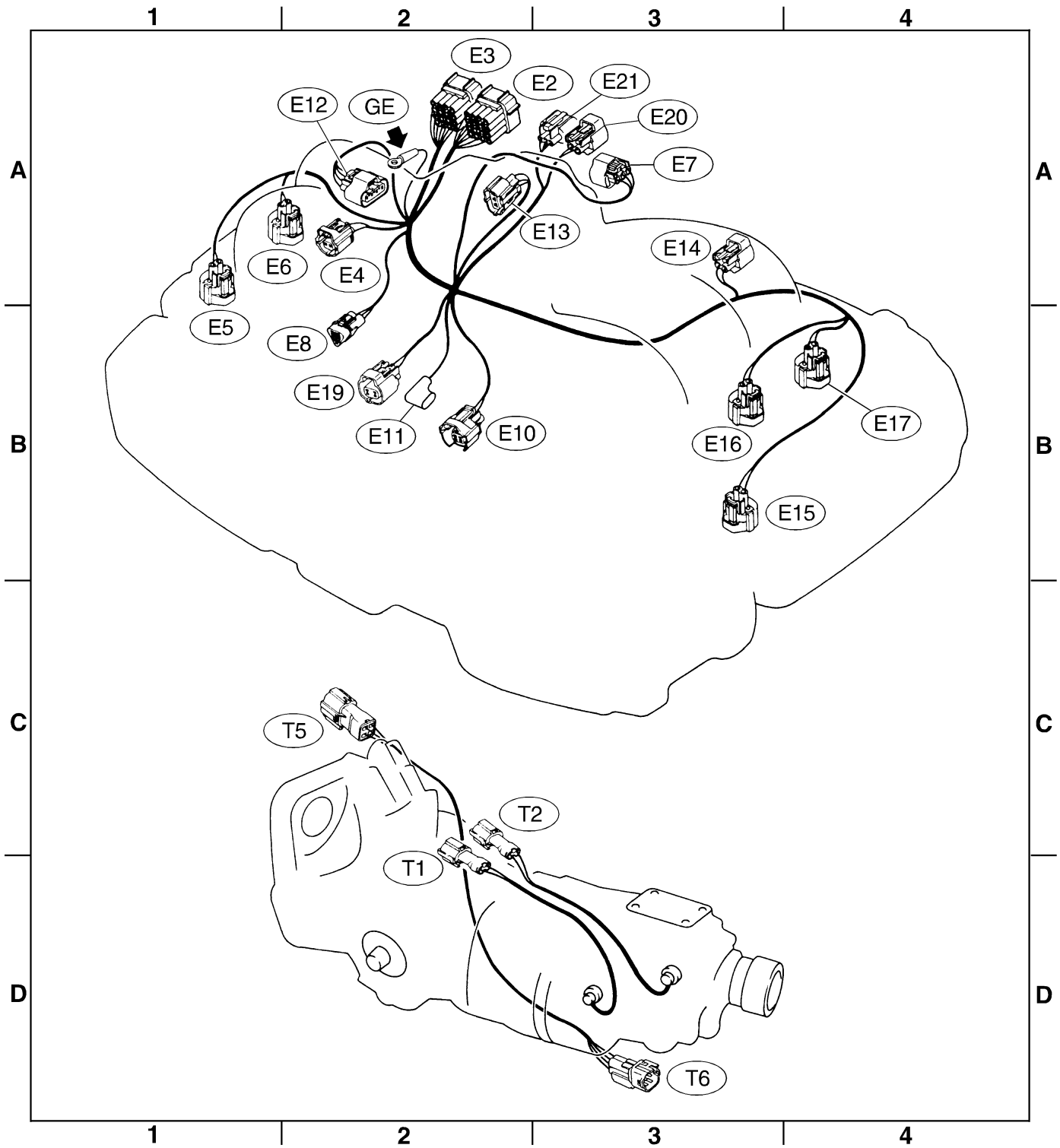
★: Non-colored

Connector				Connecting to	
No.	Pole	Color	Area	No.	Name
T1	2	Gray	D-1	B24	Bulkhead wiring harness
T2	2	Brown	D-1	B25	
T5	4	Gray	C-2	B19	Bulkhead wiring harness
T6	4	Gray	D-3		Rear oxygen sensor

★: Non-colored

ENGINE WIRING HARNESS AND TRANSMISSION CORD

Wiring System



B6M1322A

ENGINE WIRING HARNESS AND TRANSMISSION CORD

Wiring System

2. 4-CYLINDER ENGINE AT MODEL S903447A1302

Connector				Connecting to	
No.	Pole	Color	Area	No.	Name
E2	20	★	A-2	B21	Bulkhead wiring harness
E3	16	Brown	A-2	B22	Bulkhead wiring harness
E4	2	Blue	A-2		Purge control solenoid valve
E5	2	Gray	B-1		Injector #1
E6	2	Gray	A-2		Injector #3
E7	6	★	A-3		Idle air control solenoid valve
E8	3	★	B-2		Engine coolant temperature sensor and thermometer
E10	2	★	B-2		Crankshaft position sensor
E11	1	★	B-2		Oil pressure switch
E12	4	Dark gray	A-2		Ignition coil and ignitor
E13	4	★	A-3		Throttle position sensor
E14	2	Gray	B-3		Knock sensor
E15	2	★	B-3		Camshaft position sensor
E16	2	Gray	B-3		Injector #2
E17	2	Gray	B-4		Injector #4
E19	2	★	B-2		Power steering oil pressure switch
E21	4	★	A-3		Pressure sensor and intake air temperature sensor
E42	2	★	A-3		Air assist solenoid valve

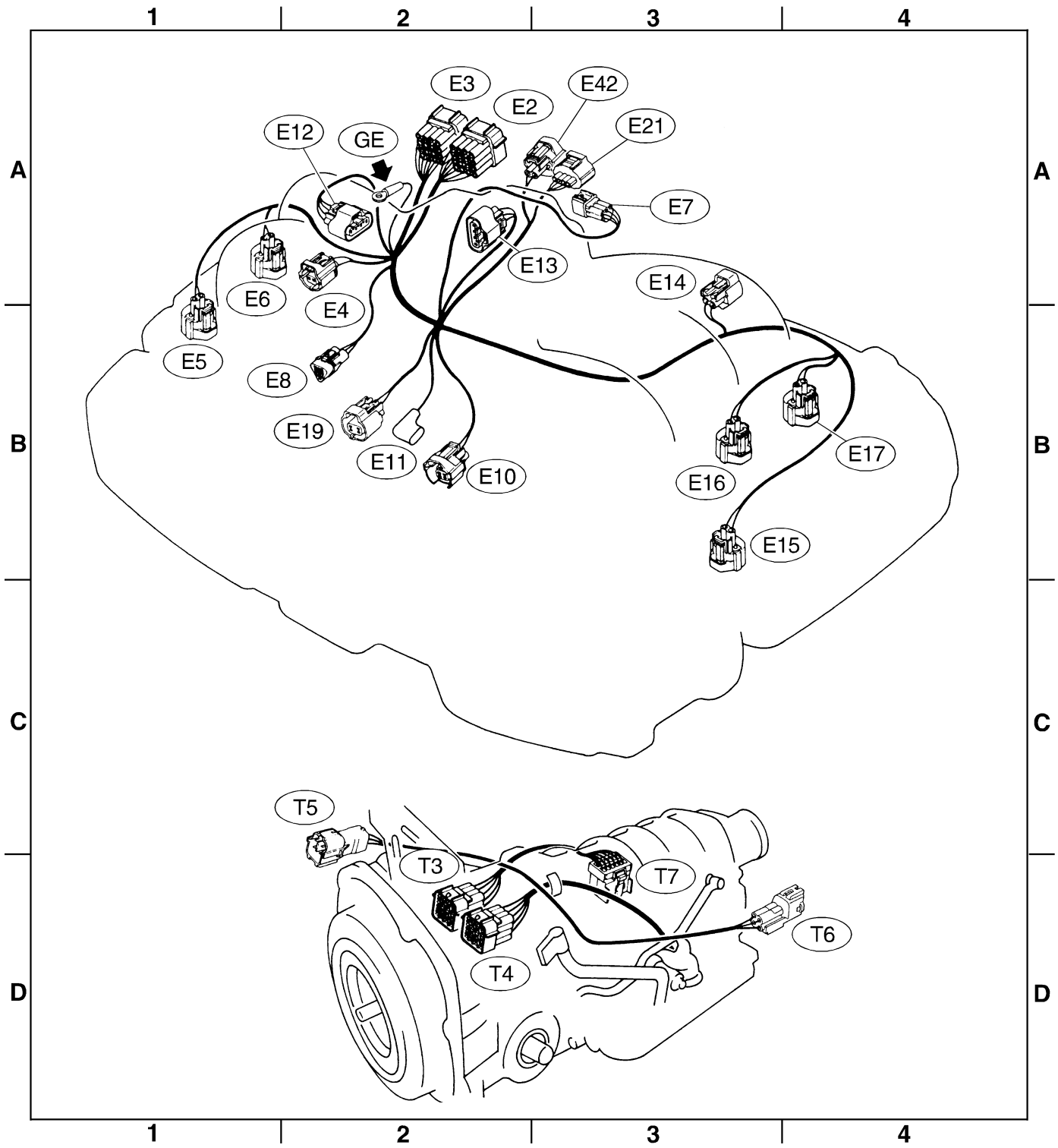
★: Non-colored

Connector				Connecting to	
No.	Pole	Color	Area	No.	Name
T3	12	★	D-3	B12	Bulkhead wiring harness
T4	20	Black	D-3	B11	
T5	4	Gray	C-2	B19	Bulkhead wiring harness
T6	4	Gray	D-4		Rear oxygen sensor
T7	12	★	C-4		Inhibitor switch

★: Non-colored

ENGINE WIRING HARNESS AND TRANSMISSION CORD

Wiring System



B6M1321A

ENGINE WIRING HARNESS AND TRANSMISSION CORD

Wiring System

3. 6-CYLINDER ENGINE MODEL S903447A1303

Connector				Connecting to	
No.	Pole	Color	Area	No.	Name
E1	16	Dark gray		B20	Bulkhead wiring harness
E2	20	Light gray		B21	
E3	16	Brown		B22	
E4	2	★			Purge control solenoid valve
E5	2	★			Fuel injector No. 1
E6	2	★			Fuel injector No. 3
E7	3	★			Idle speed control solenoid valve
E8	3	★			Engine coolant temperature sensor and thermometer
E10	2	★			Crankshaft position sensor
E11	1	★			Oil pressure switch
E13	3	★			Throttle position sensor
E14	2	★			Knock sensor-1
E15	3	★			Camshaft position sensor
E16	2	★			Fuel injector No. 2
E17	2	★			Fuel injector No. 4
E18	6	★			EGR solenoid valve
E19	2	★			Power steering oil pressure switch
E20	2	Black			Intake air temperature sensor
E21	3	★			Pressure sensor
E24	4	★			Front oxygen (A/F) sensor LH
E30	2	★			Induction valve control solenoid
E31	3	Black			Ignition coil No. 1
E32	3	Black			Ignition coil No. 2
E33	3	Black			Ignition coil No. 3
E34	3	Black			Ignition coil No. 4
E43	2	★			Fuel injector No. 5
E44	2	★			Fuel injector No. 6
E45	3	Black			Ignition coil No. 5
E46	3	Black			Ignition coil No. 6
E47	3	★			Front oxygen (A/F) sensor RH
E48	2	★			Knock sensor-2
E49	8	Dark gray		B252	Bulkhead wiring harness

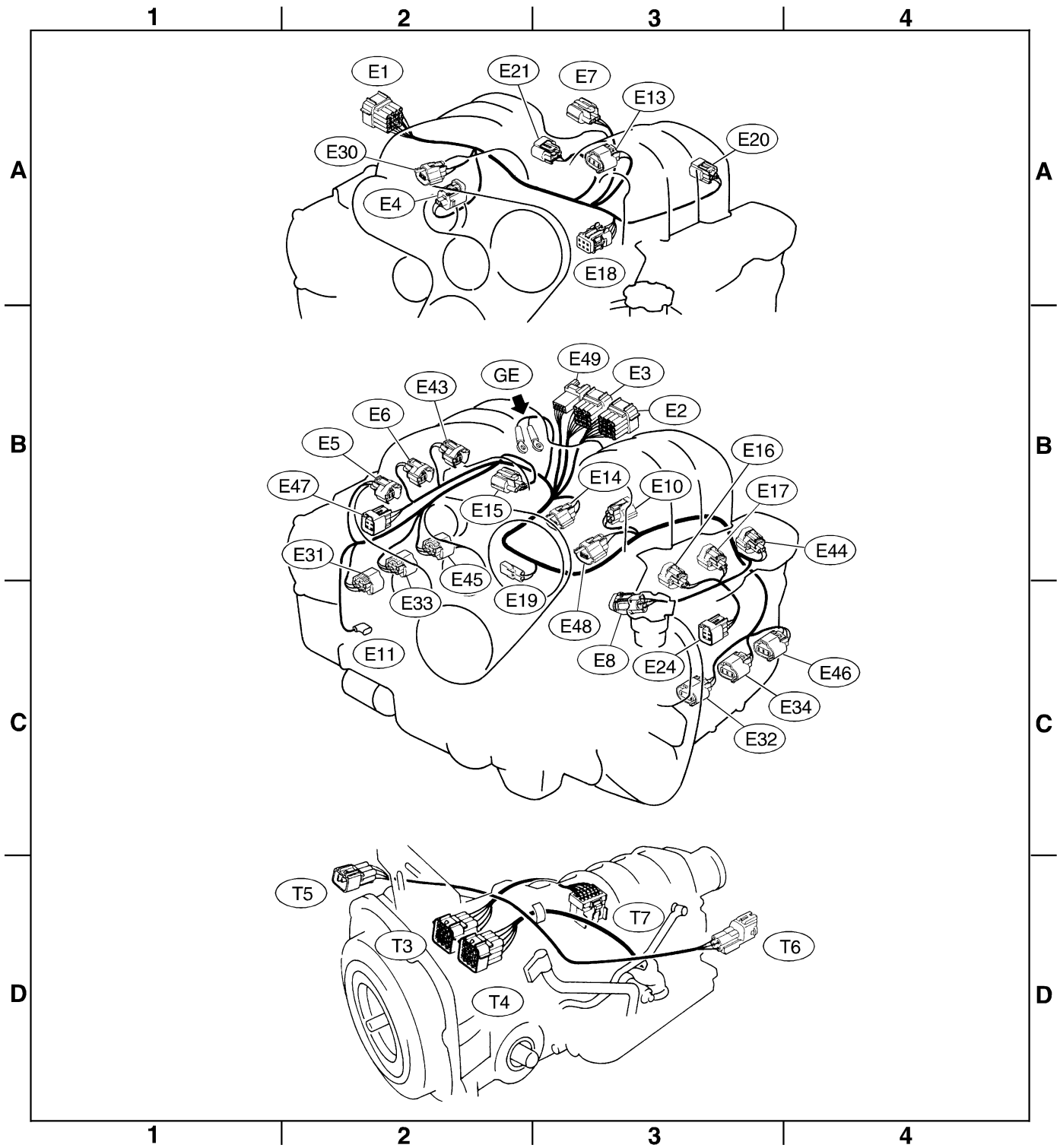
★: Non-colored

Connector				Connecting to	
No.	Pole	Color	Area	No.	Name
T3	12	Black	D-3	B12	Bulkhead wiring harness
T4	20	Black	D-3	B11	
T5	6	★	C-2	B19	Bulkhead wiring harness
T6	4	★	D-4		Rear oxygen sensor
T7	12	★	C-4		Inhibitor switch

★: Non-colored

ENGINE WIRING HARNESS AND TRANSMISSION CORD

Wiring System



B6M1554A

**54. Instrument Panel Wiring
Harness**

S903435

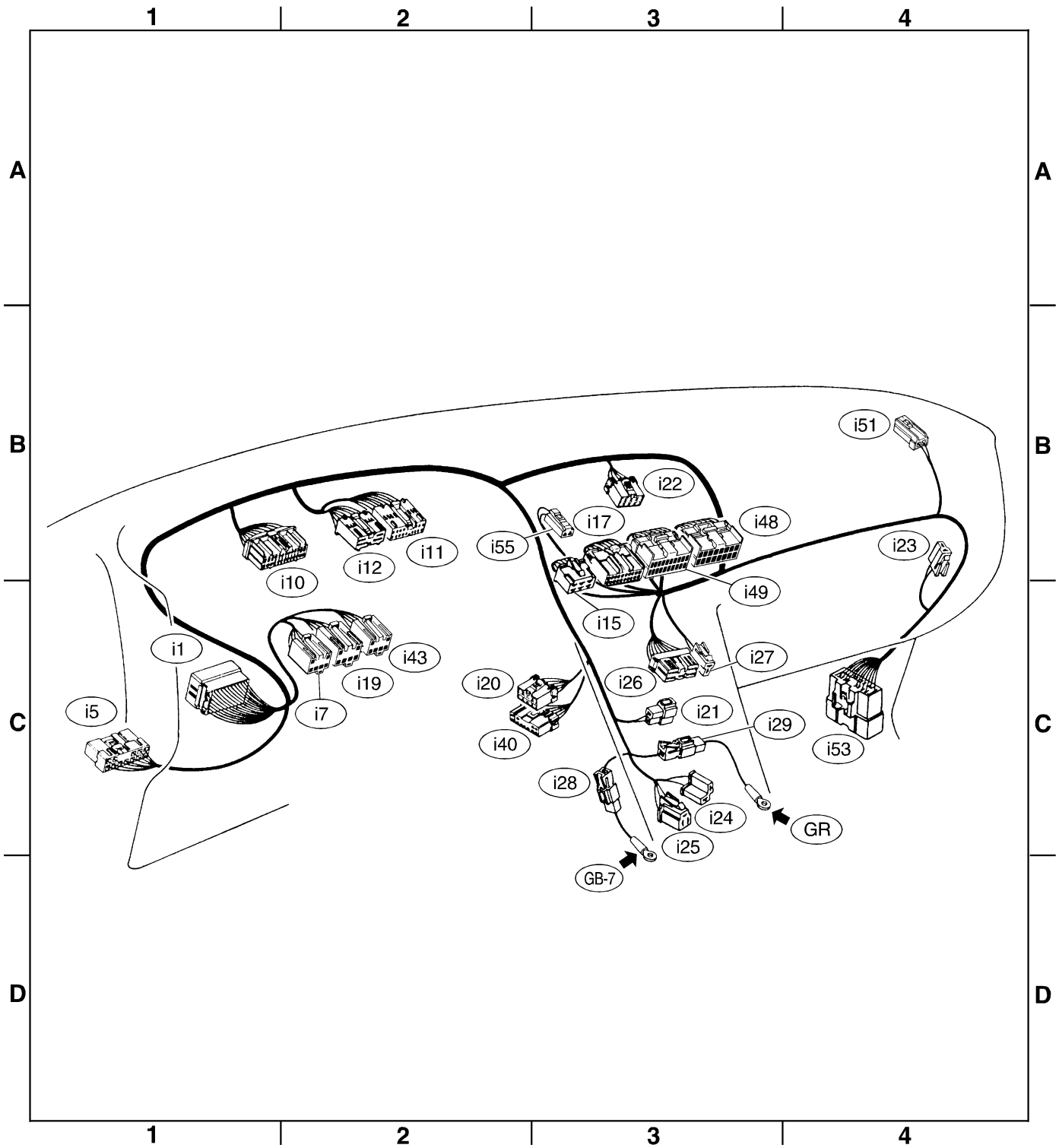
A: LOCATION S903435A13

Connector				Connecting to	
No.	Pole	Color	Area	No.	Name
i1	66	★	C-1	B36	Bulkhead wiring harness (SMJ)
i5	12	★	C-1		F/B
i7	6	Black	C-2		Front fog light switch
i10	30	Green	B-2		Combination meter
i11	16	Green	B-2		
i12	14	Green	B-2		
i15	6	★	B-3		Mode control panel
i17	20	Gray	B-3		
i19	6	Brown	C-2		Cruise control main switch
i20	8	★	C-2	B80	Bulkhead wiring harness
i21	2	Black	C-3		Ash tray illumination light
i22	8	★	B-3		Hazard switch
i23	2	★	B-4		Glove box illumination light
i24	2	★	C-3		Cigarette lighter
i25	3	★	C-3		Cigarette lighter illumination light
i26	14	★	C-3		Radio
i27	2	★	C-3		CD player illumination light
i28	1	Black	C-3		Body ground
i29	1	Black	C-3		Body ground (Radio)
i40	10	★	C-2	B201	Bulkhead wiring harness
i43	6	★	C-2		Wiper deicer switch
i48	16	Gray	B-3		Auto A/C control module
i49	20	Gray	B-3		
i51	2	Black	B-4		Sunload sensor (Auto A/C)
i53	16	Blue	C-4	R98	Rear wiring harness
i55	2	★	B-3		In-vehicle temperature sensor (Auto A/C)

★: Non-colored

INSTRUMENT PANEL WIRING HARNESS

Wiring System



B6M1555A

55. Rear Wiring Harness S903431

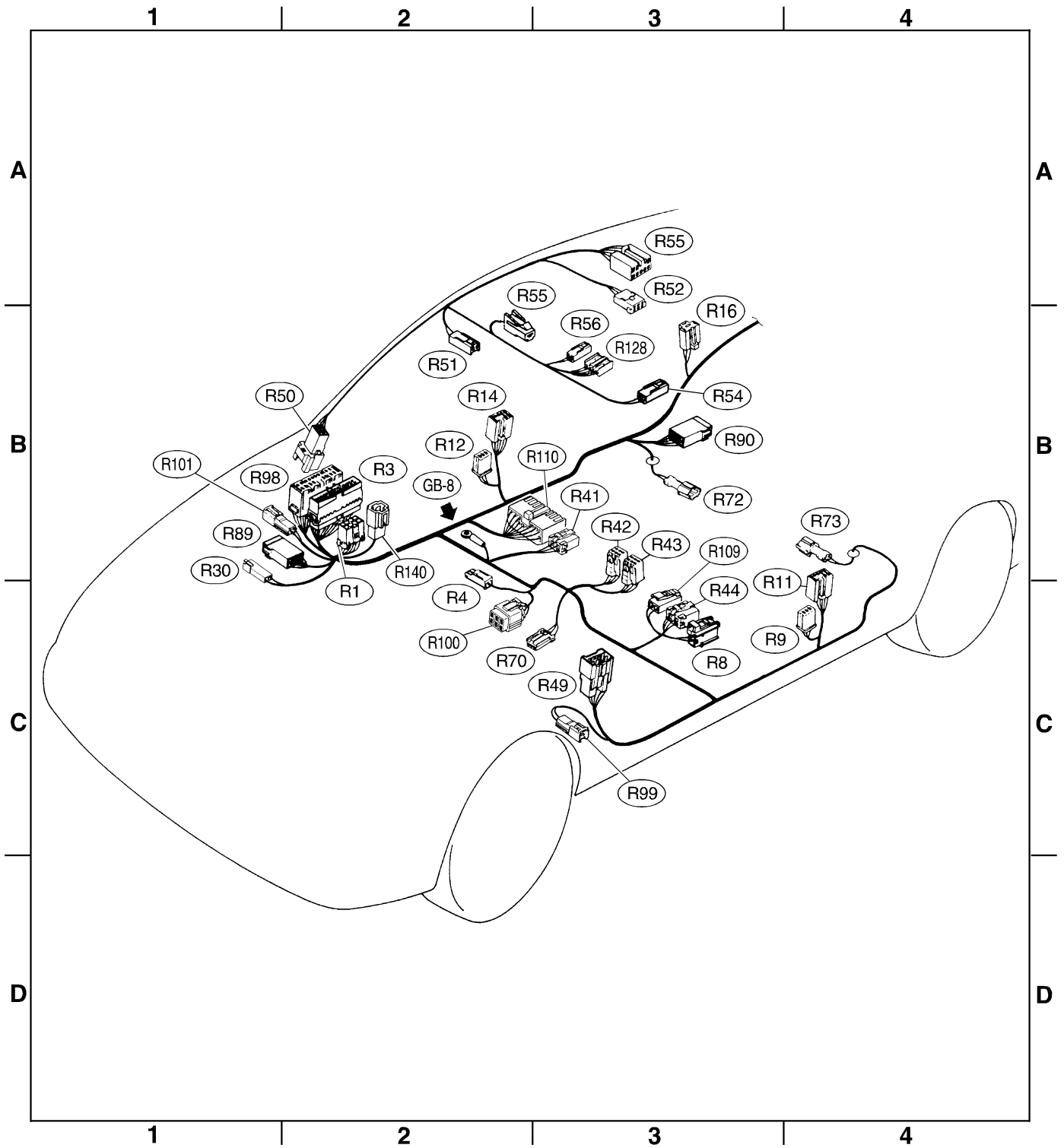
A: LOCATION S903431A13

Connector				Connecting to	
No.	Pole	Color	Area	No.	Name
R1	8	★	B-2	B97	Bulkhead wiring harness
R3	32	★	B-2	B99	
R4	1	Black	B-2		Parking brake switch
R8	2	★	C-3		Seat belt switch
R9	3	★	C-4		Front door switch LH
R11	8	★	B-4	D21	Rear door cord LH
R12	3	★	B-2		Front door switch RH
R14	8	★	B-2	D27	Rear door cord RH
R16	3	Black	B-3		Rear door switch RH
R30	2	Black	B-2		Diode (Rear gate)
R41	4	Blue	B-3		Seat heater RH
R42	6	★	B-3		Seat heater switch RH
R43	6	Blue	B-3		Seat heater switch LH
R44	4	Blue	C-3		Seat heater LH
R49	8	★	C-3	F55	Front wiring harness (ABS)
	12	★	C-3	F55	Front wiring harness (VDC)
R50	6	★	B-2	B90	Bulkhead wiring harness
R51	2	★	B-2		Vanity mirror illumination light RH
R52	3	★	B-3		Room light
R54	2	★	B-3		Vanity mirror illumination light LH
R55	1	★	B-2		Sunroof (Sedan)
	8	★	A-3		Sunroof control module (Wagon)
R56	2	★	B-3		Spot light
R70	3	Black	C-2		ABS G sensor
R72	2	Gray	B-3		Rear ABS sensor RH
R73	2	Gray	B-4		Rear ABS sensor LH
R89	8	★	B-2		Speaker joint connector LH (Wagon)
R90	8	★	B-3		Speaker joint connector RH (Wagon)
R98	16	Blue	B-2	i53	Instrument panel wiring harness
R99	2	★	C-3	D68	Front door cord LH
R100	6	Black	C-2		Yaw rate sensor (VDC)
R101	2	★	B-2	D69	Front door cord RH
R109	2	Black	C-3		Power seat
R110	14	★	B-2		Power amplifier (Mcintosh audio)
R128	5	★	B-3		Sunroof switch (Wagon)
R140	1	★	B-2		Bulkhead wiring harness

★: Non-colored

REAR WIRING HARNESS

Wiring System



B6M1556A

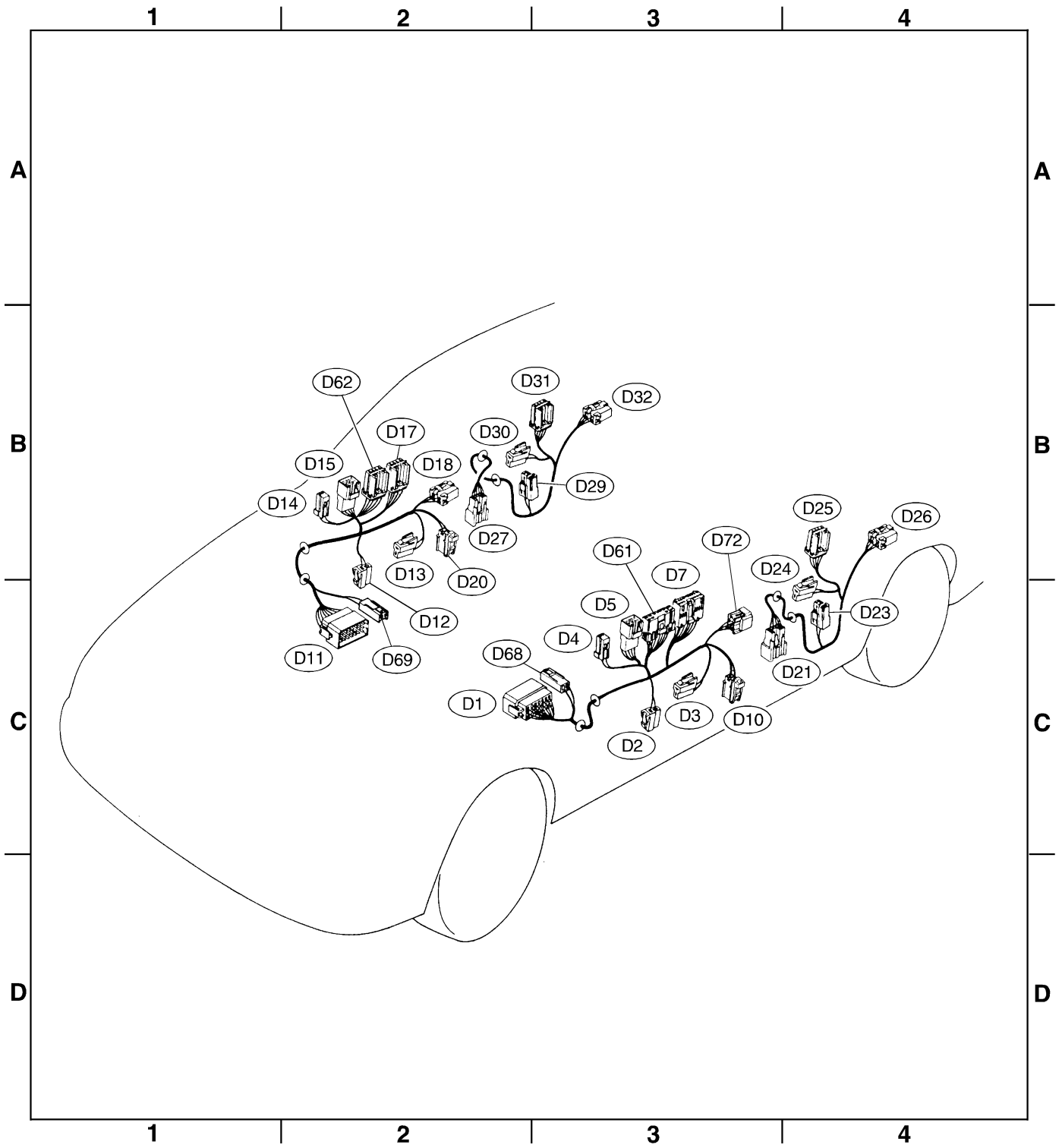
56. Door Cord S903432A: LOCATION S903432A13

Connector				Connecting to	
No.	Pole	Color	Area	No.	Name
D1	24	★	C-2	B30	Bulkhead wiring harness
D2	2	★	C-3		Front door speaker LH
D3	2	Green	C-3		Front power window motor LH
D4	2	Black	C-3		Front door tweeter LH
D5	6	★	C-3		Remote control rearview mirror LH
D7	16	★	C-3		Power window main switch
D10	2	★	C-3		Step light LH
D11	24	★	C-2	B101	Bulkhead wiring harness
D12	2	★	C-2		Front door speaker RH
D13	2	Green	B-2		Front power window motor RH
D14	2	Black	B-2		Front door tweeter RH
D15	6	★	B-2		Remote control rearview mirror RH
D17	6	★	B-2		Front power window sub switch RH
D18	4	★	B-2		Front door lock actuator RH
D20	2	★	B-2		Step light RH
D21	8	★	C-3	R11	Rear wiring harness
D23	2	Black	C-4		Rear door speaker LH
D24	2	Green	C-4		Rear power window motor LH
D25	6	★	B-4		Rear power window sub switch LH
D26	4	★	B-4		Rear door lock actuator LH
D27	8	★	B-2	R14	Rear wiring harness
D29	2	Black	B-2		Rear door speaker RH
D30	2	Green	B-2		Rear power window motor RH
D31	6	★	B-2		Rear power window sub switch RH
D32	4	★	B-3		Rear door lock actuator RH
D61	10	★	C-3		Remote control rearview mirror switch
D62	6	Brown	B-2		Front door lock switch RH
D68	2	★	C-3	R99	Rear wiring harness
D69	2	★	C-2	R101	Rear wiring harness
D72	4	★	C-3		Front door lock actuator LH

★: Non-colored

DOOR CORD

Wiring System



B6M1557A

57. Rear Wiring Harness and Trunk Lid Cord

S903673

A: LOCATION

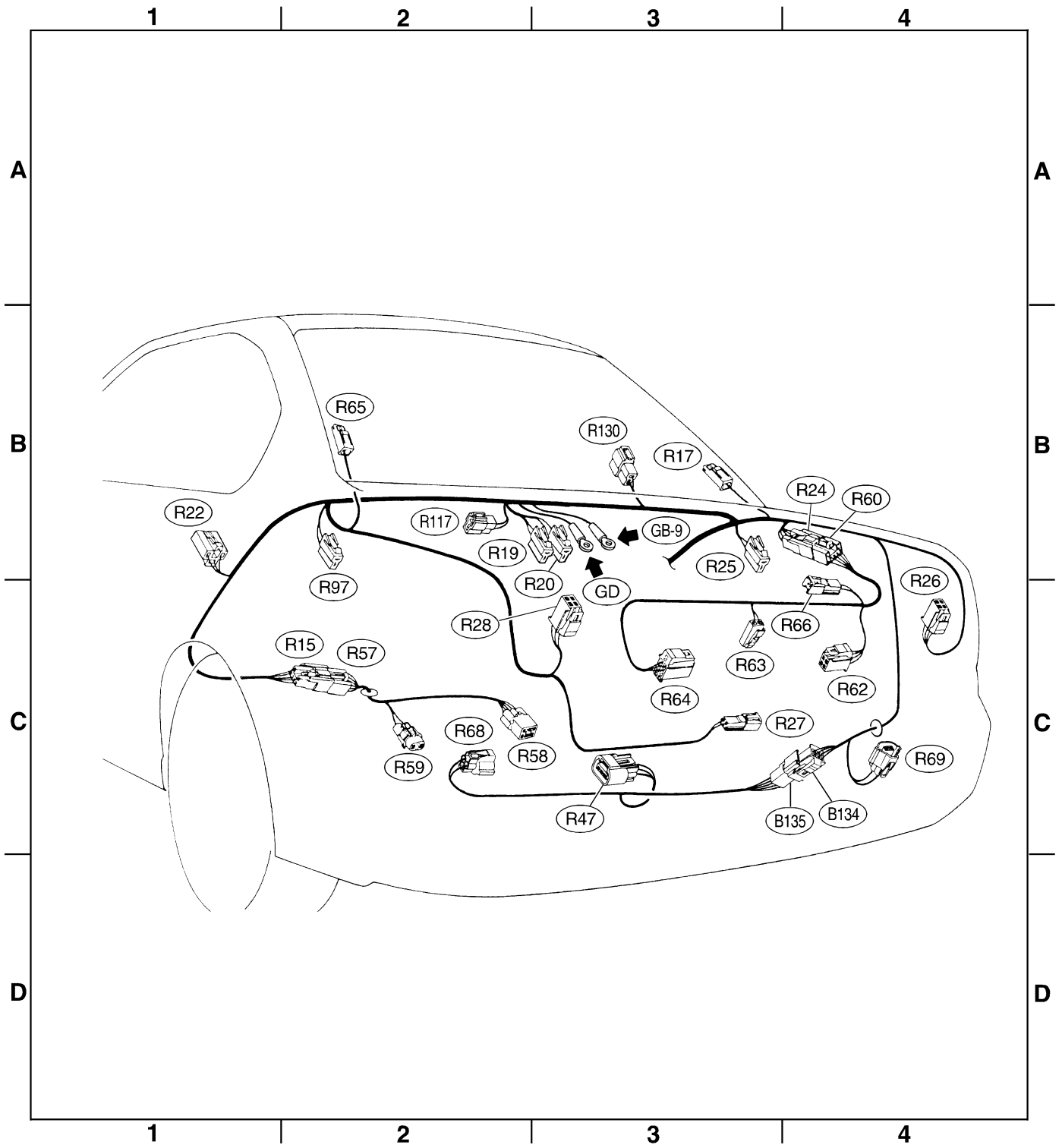
S903673A13

Connector				Connecting to	
No.	Pole	Color	Area	No.	Name
R15	6	Black	C-2	R57	Fuel tank cord
R17	1	Black	B-3		Rear defogger (Power) (Without choke coil model)
R19	2	★	B-2		High-mounted stop light
R20	2	Blue	B-3		Trunk room light
R22	3	Black	B-1		Rear door switch LH
R24	6	★	B-4	R60	Trunk lid cord
R25	2	Black	B-3		Rear defogger condenser
R26	4	★	B-4		Rear combination light RH
R27	2	★	C-3		Trunk room light switch
R28	4	★	C-3		Rear combination light LH
R47	3	Black	C-3		Internal pressure sensor
R57	6	Black	C-2	R15	Rear wiring harness
R58	6	Gray	C-2		Fuel gauge module & fuel pump assembly
R59	2	★	C-2		Fuel gauge sub module
R60	6	★	B-4	R24	Rear wiring harness
R62	4	★	C-4		Rear finisher light RH
R63	2	★	C-3		License plate light
R64	4	★	C-3		Rear finisher light LH
R65	1	Black	B-2		Rear defogger (Ground) (Without choke coil model)
R66	2	Black	B-4		High-mounted stop light (Rear spoiler)
R68	2	Gray	C-3		Pressure control solenoid valve
R69	2	★	C-4		Drain valve
R97	2	★	B-2		Antenna amp.
R117	2	★	B-2		Sub woofer (Mcintosh audio)
R130	2	★	B-3		Rear defogger (With choke coil model)
R134	6	Gray	C-4	R135	ORVR cord
R135	6	Gray	C-4	R134	Rear wiring harness

★: Non-colored

REAR WIRING HARNESS AND TRUNK LID CORD

Wiring System



B6M1558A

58. Rear Wiring Harness and Rear Gate Cord S903433

A: LOCATION S903433A13

Connector				Connecting to	
No.	Pole	Color	Area	No.	Name
R15	6	Black	D-1	R57	Fuel tank cord
R22	3	Black	C-1		Rear door switch LH
R25	2	Black	C-3		Rear defogger condenser
R26	4	Black	C-4		Rear combination light RH
R28	4	Black	C-2		Rear combination light LH
R32	2	★	C-2		Rear accessory power supply socket
R37	2	★	C-3	D33	Rear gate cord
R38	8	★	C-3	D34	
R39	8	Black	C-4	D35	
R47	3	Black	C-3		Internal pressure sensor
R57	6	Black	D-1	R15	Rear wiring harness
R58	6	Gray	D-2		Fuel gauge module & fuel pump assembly
R59	2	★	D-2		Fuel gauge sub module
R68	2	Gray	C-2		Pressure control solenoid valve
R69	2	★	D-3		Drain valve
R79	6	★	C-2		Trailer connector
R97	2	★	C-1		Antenna amp.
R116	8	★	C-3		Rear wiper intermittent module
R117	2	★	C-3		Sub woofer (Mcintosh audio)
R134	6	Gray	C-3	R135	ORVR cord
R135	6	Gray	C-3	R134	Rear wiring harness

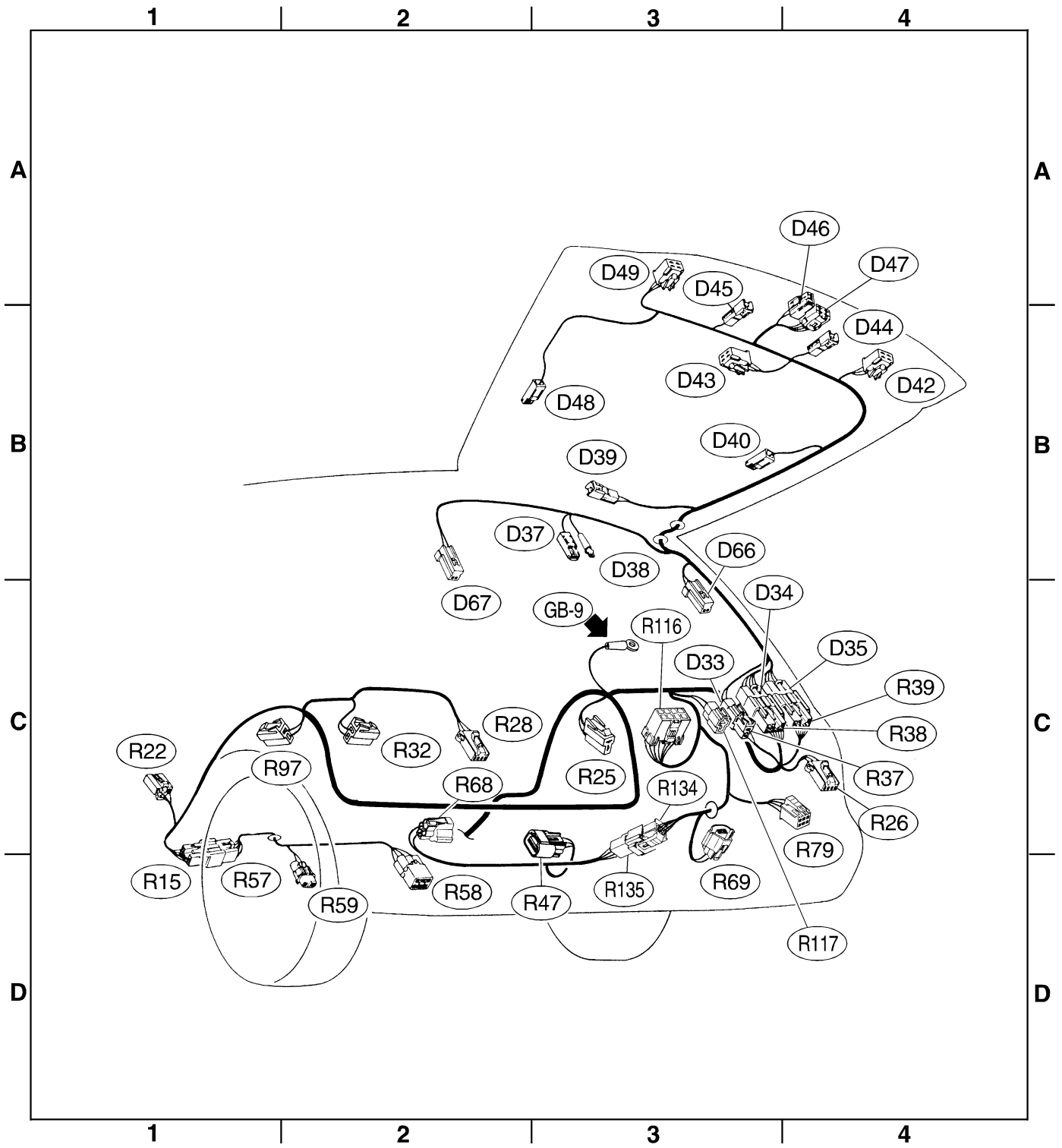
★: Non-colored

Connector				Connecting to	
No.	Pole	Color	Area	No.	Name
D33	2	★	C-3	R37	Rear wiring harness
D34	8	★	C-3	R38	
D35	8	Black	C-4	R39	
D37	1	Black	B-3		Luggage room light (Power)
D38	1	★	B-3		Luggage room light
D39	2	★	B-3		High-mounted stop light
D40	1	Black	B-3		Rear defogger (Power)
D42	4	★	B-4		Rear finisher light RH
D43	4	★	B-3		Rear wiper motor
D44	2	★	B-4		License plate light RH
D45	2	★	A-3		License plate light LH
D46	2	Black	A-4		Rear gate latch switch
D47	4	★	B-4		Rear gate lock actuator
D48	1	Black	B-3		Rear defogger (Ground)
D49	4	★	A-3		Rear finisher light LH
D66	2	Black	C-3		Rear tweeter RH
D67	2	Black	B-2		Rear tweeter LH

★: Non-colored

REAR WIRING HARNESS AND REAR GATE CORD

Wiring System



B6M1559A