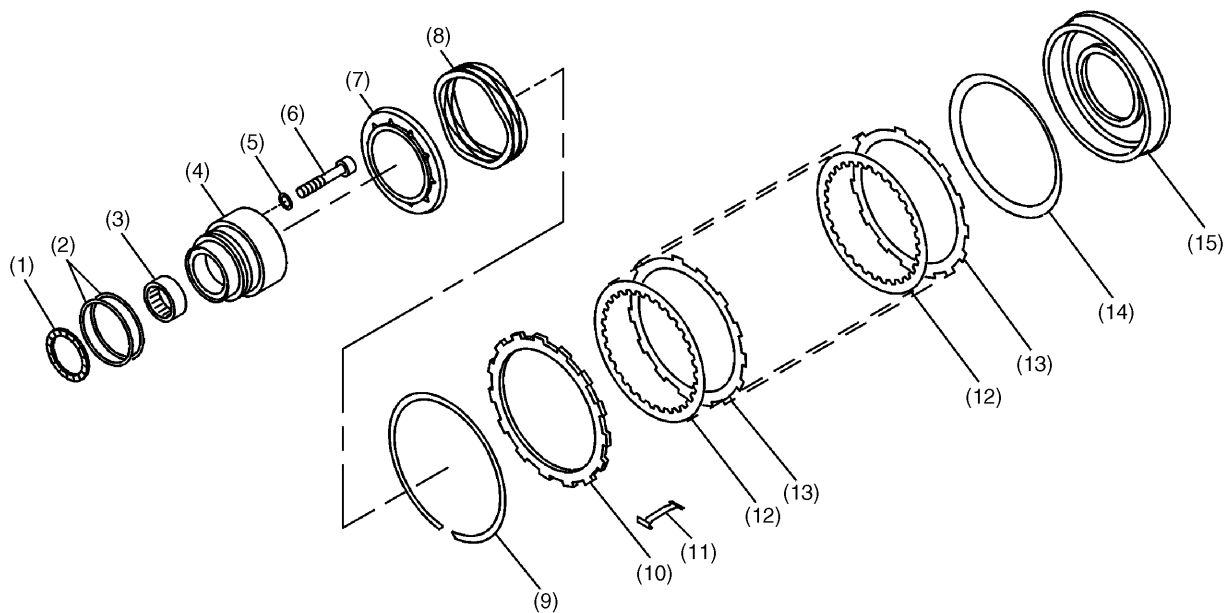


5. Low & Reverse Brake

A: CONSTRUCTION

The low & reverse brake consists of a piston, a dish plate, drive plates, driven plates, a retaining plate and a snap ring that are placed in a housing formed in the transmission case.



B3H0897A

- | | | |
|-------------------------------|----------------------|---------------------------------|
| (1) Thrust bearing | (6) Bolt | (11) Leaf spring |
| (2) Seal ring | (7) Spring retainer | (12) Drive plate |
| (3) Needle bearing | (8) Return spring | (13) Driven plate |
| (4) One-way clutch inner race | (9) Snap ring | (14) Dish plate |
| (5) Washer | (10) Retaining plate | (15) Low & reverse brake piston |

B: FUNCTION

When the 1st gear is selected in the 1 range or the reverse is selected, the pressure from the pressure regulator valve is applied to the low & reverse brake piston. The piston then presses the drive and driven plates together and causes the low clutch to lock.