

6. Vehicle Speed Sensors and Torque Converter Turbine Speed Sensor

S510586

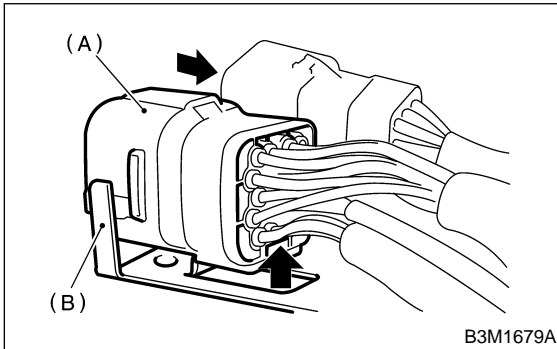
A: REMOVAL

S510586A18

- 1) Extract the torque converter clutch assembly. <Ref. to AT-35, REMOVAL, Torque Converter Clutch Assembly.>
- 2) Disconnect the air breather hoses. <Ref. to AT-28, REMOVAL, Air Breather Hose.>
- 3) Disconnect transmission harness connector from stay.

NOTE:

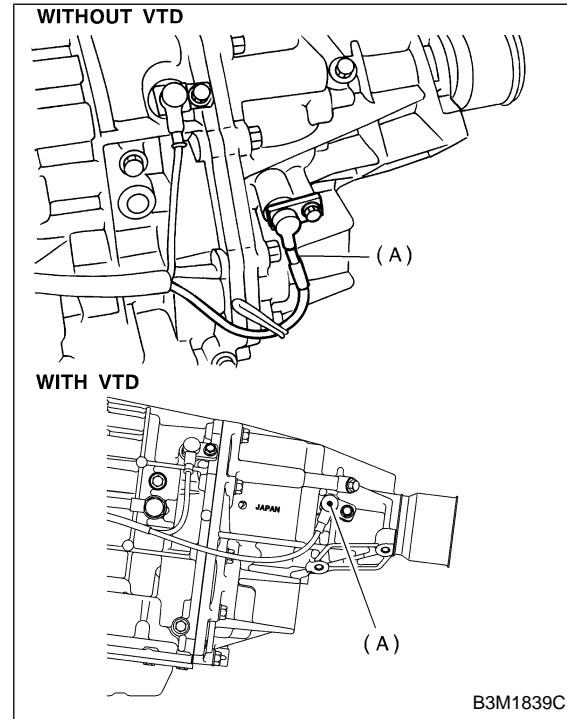
Lift-up lever behind connector and disconnect it from stay.



- (A) Transmission harness
- (B) Stay

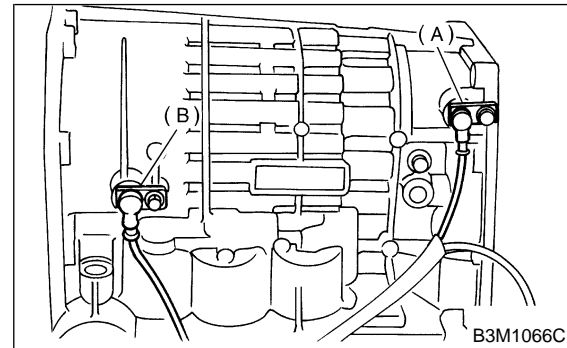
- 4) Disconnect inhibitor switch connector from stay.
- 5) Wrap vinyl tape around the nipple attached to the air breather hose.
- 6) Remove pitching stopper bracket.
- 7) Remove the oil charger pipe. <Ref. to AT-29, REMOVAL, Oil Charger Pipe.>
- 8) Remove the oil cooler pipes. <Ref. to AT-30, REMOVAL, Oil Cooler Pipes.>
- 9) Insert a shop cloth into the installation holes of oil charger pipe and oil cooler pipe.

- 10) Remove rear vehicle speed sensor.



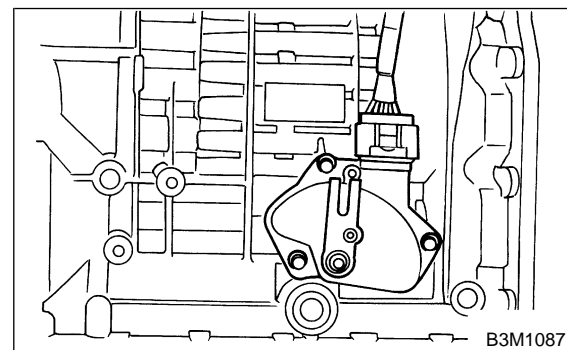
- (A) Rear vehicle speed sensor

- 11) Remove front vehicle speed sensor and torque converter turbine speed sensor.



- (A) Front vehicle speed sensor
- (B) Torque converter turbine speed sensor

- 12) Remove the inhibitor switch.



VEHICLE SPEED SENSORS AND TORQUE CONVERTER TURBINE SPEED SENSOR

Automatic Transmission

13) Prepare a block of wood. Turn over the transmission case and make it secure with the block of wood.

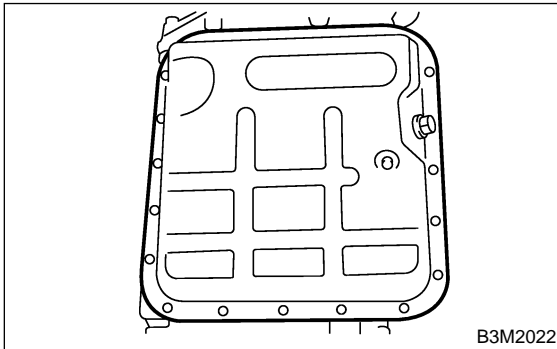
NOTE:

Turn over in the direction the inhibitor switch was installed.

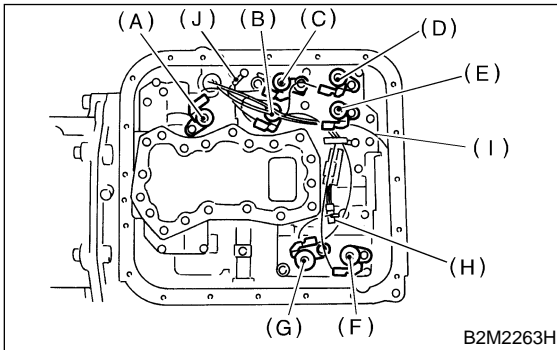
14) Remove the oil pan.

NOTE:

Use a scraper to remove oil pan.

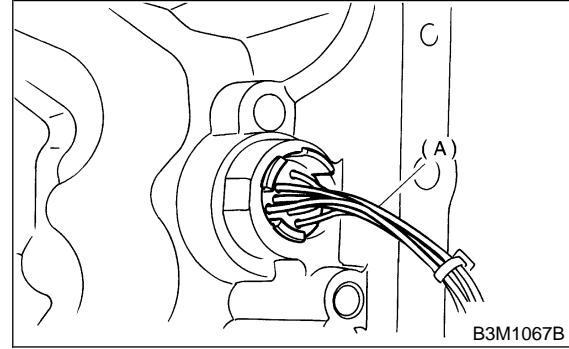


15) Disconnect the harness connectors for the solenoids, duty solenoids, ATF temperature sensor and the ground cord.



- (A) Lock-up duty solenoid (Blue)
- (B) Low clutch timing solenoid (Gray)
- (C) Line pressure duty solenoid (Red)
- (D) Shift solenoid 2 (Yellow)
- (E) Shift solenoid 1 (Green)
- (F) 2-4 brake timing solenoid (Black)
- (G) 2-4 brake duty solenoid (Red)
- (H) ATF temperature sensor
- (I) Transfer duty solenoid (Brown)
- (J) Transmission ground

16) Remove transmission harness.



(A) Transmission harness

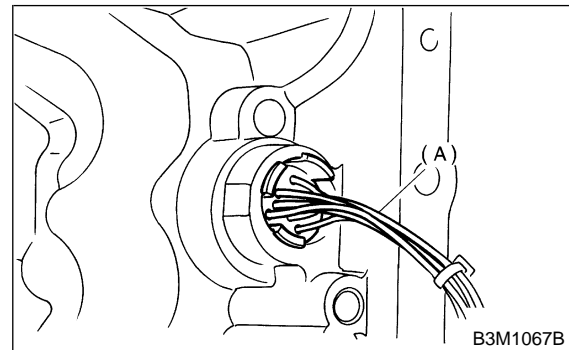
B: INSTALLATION

S510586A11

1) Install and route the transmission harness.

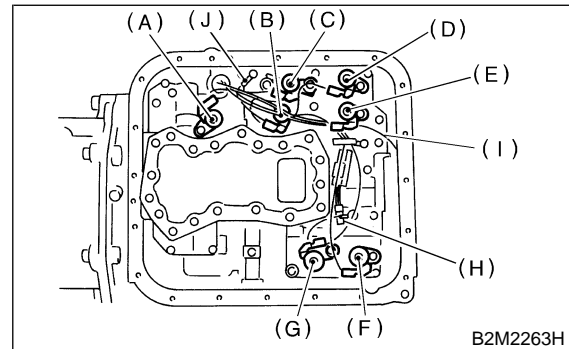
NOTE:

Be careful not to damage the harness.



(A) Transmission harness

2) Connect all connectors.

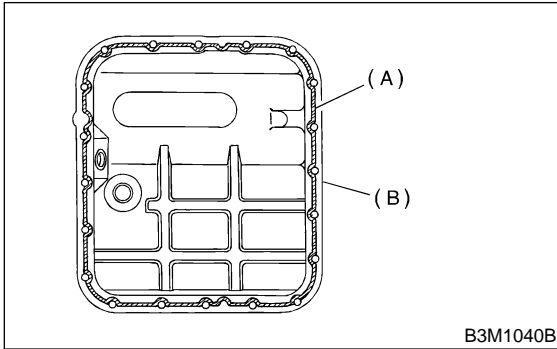


- (A) Lock-up duty solenoid (Blue)
- (B) Low clutch timing solenoid (Gray)
- (C) Line pressure duty solenoid (Red)
- (D) Shift solenoid 2 (Yellow)
- (E) Shift solenoid 1 (Green)
- (F) 2-4 brake timing solenoid (Black)
- (G) 2-4 brake duty solenoid (Red)
- (H) ATF temperature sensor
- (I) Transfer duty solenoid (Brown)
- (J) Transmission ground

3) Apply proper amount of liquid gasket to the entire oil pan mating surface.

Liquid gasket

THREE BOND 1217B

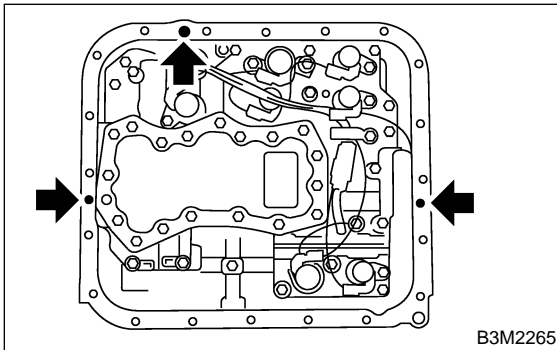


- (A) THREE BOND (Part No. 1217B)
- (B) Oil pan

4) Besides bolt hole on transmission side, completely fill in liquid gasket at three holes.

Fluid packing:

THREE BOND 1217B



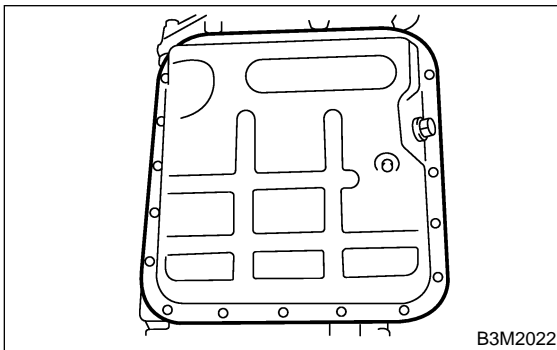
5) Install the oil pan to the transmission case assembly.

NOTE:

Tighten the bolts evenly.

Tightening torque:

5 N·m (0.5 kgf-m, 3.6 ft-lb)

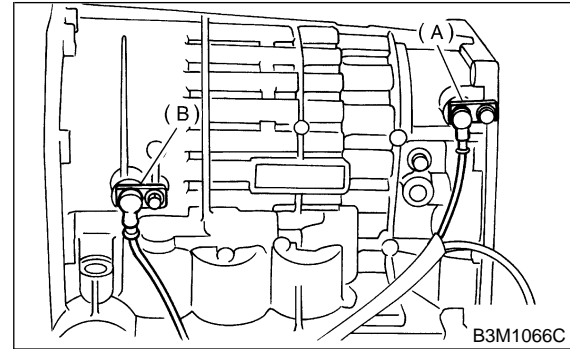


6) Turn over the transmission case to its original position.

7) Install torque converter turbine speed sensor and front vehicle speed sensor.

Tightening torque:

7 N·m (0.7 kgf-m, 5.1 ft-lb)

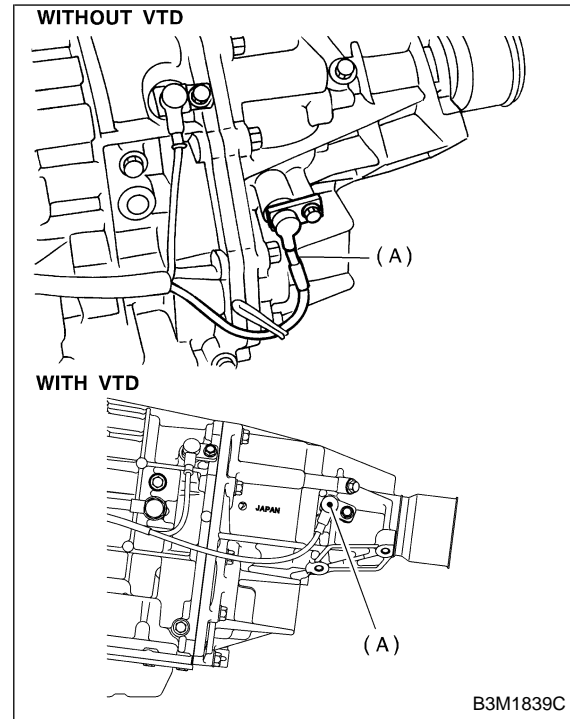


- (A) Front vehicle speed sensor
- (B) Torque converter turbine speed sensor

8) Install the rear vehicle speed sensor.

Tightening torque:

7 N·m (0.7 kgf-m, 5.1 ft-lb)



- (A) Rear vehicle speed sensor

9) Remove the vinyl tape, and then install air breather hose. <Ref. to AT-28, INSTALLATION, Air Breather Hose.>

10) Install the oil cooler pipes. <Ref. to AT-30, INSTALLATION, Oil Cooler Pipes.>

11) Install the oil charger pipe. <Ref. to AT-29, INSTALLATION, Oil Charger Pipes.>

12) Install the torque converter clutch assembly. <Ref. to AT-35, INSTALLATION, Torque Converter Clutch Assembly.>

VEHICLE SPEED SENSORS AND TORQUE CONVERTER TURBINE SPEED SENSOR

Automatic Transmission

- 13) Install inhibitor switch and adjust the inhibitor switch by referring to Supplement AT section.
- 14) Install inhibitor switch connector and transmission connector to the stay.
- 15) Install pitching stopper bracket.

Tightening torque:

41 N·m (4.2 kgf-m, 30.4 ft-lb)