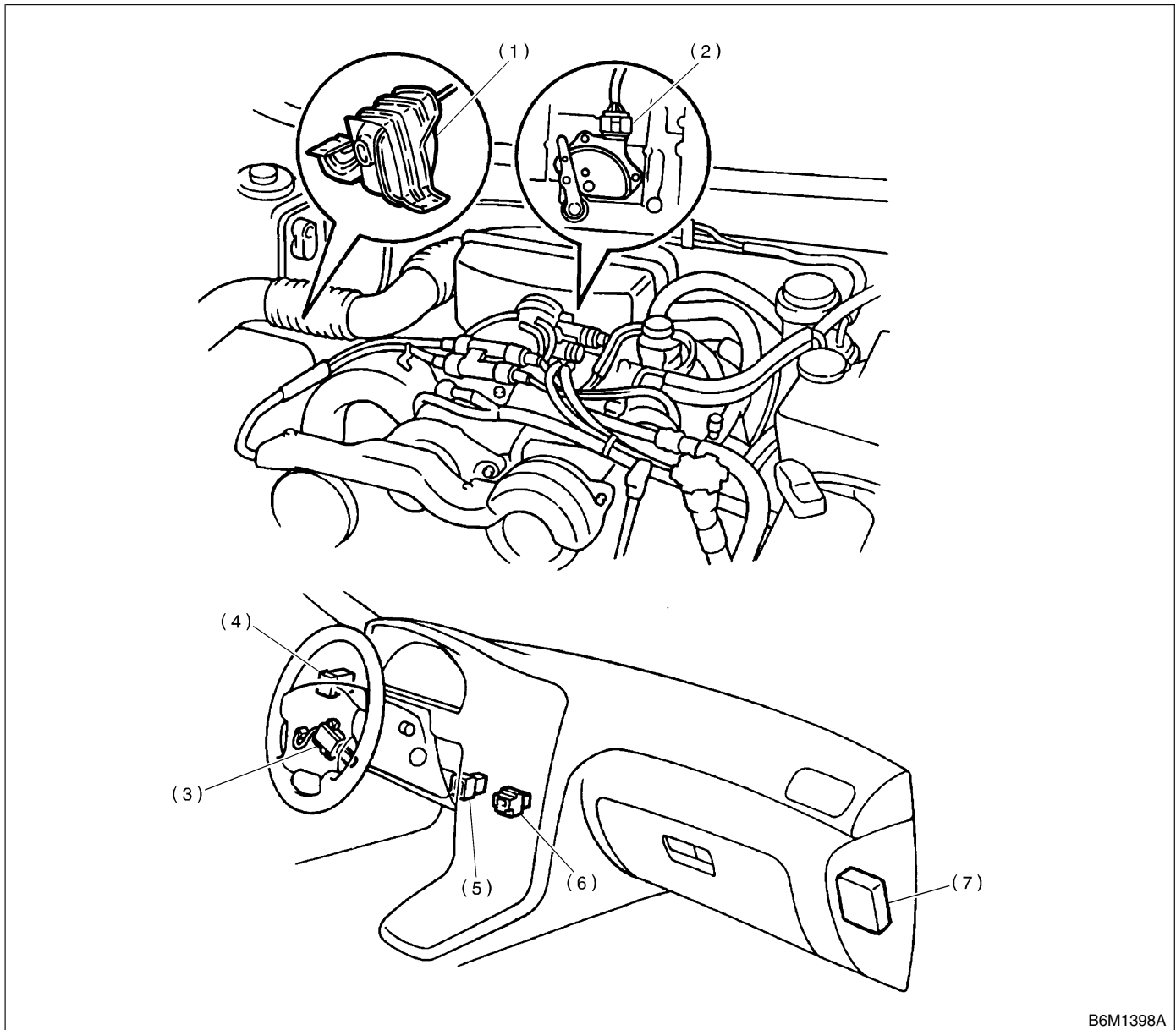


ELECTRICAL COMPONENTS LOCATION

Cruise Control System (DIAGNOSTICS)

3. Electrical Components Location S003507

A: LOCATION S003507A13



B6M1398A

- (1) Actuator
- (2) Inhibitor switch (AT)
- (3) Cruise control command switch
- (4) Cruise control main switch
- (5) Clutch switch (MT)
- (6) Stop and brake switch
- (7) Cruise control module