

5. Tachometer S907609

A: REMOVAL S907609A18

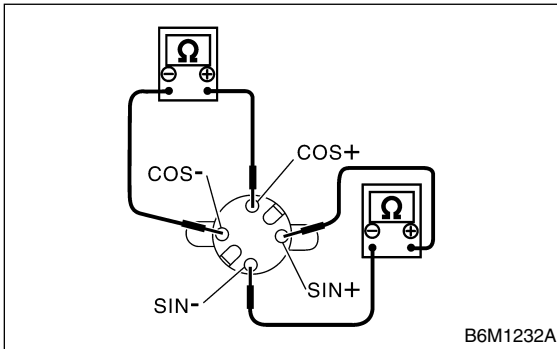
Disassemble combination meter, and then remove tachometer and water temperature gauge assembly. <Ref. to IDI-11, DISASSEMBLY, Combination Meter Assembly.>

B: INSTALLATION S907609A11

Install in the reverse order of removal.

C: INSPECTION S907609A10

Measure tachometer resistance.



Terminal	Resistance
Terminals SIN+ and SIN-	200±8 Ω
Terminals COS+ and COS-	200±8 Ω

If NG, replace tachometer and water temperature gauge assembly.

If OK, replace combination meter printed circuit.