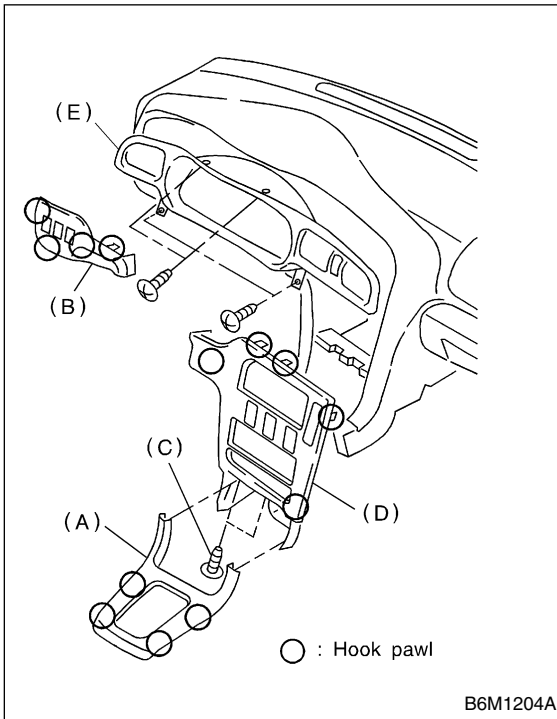


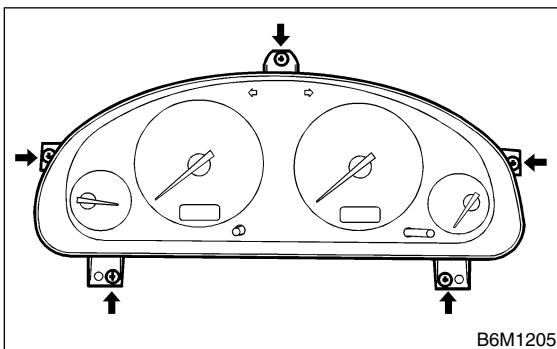
## 3. Combination Meter Assembly S907335

### A: REMOVAL S907335A18

- 1) Disconnect ground cable from battery.
- 2) Set tilt steering at the lowest position.
- 3) Disconnect each electrical connector to remove front cover (A) and switch panel (B).
- 4) Loosen screws (C) to remove center panel (D).
- 5) Remove meter visor (E).



- 6) Remove screws of combination meter to pull out the meter toward you.
- 7) Remove connector in the upper area of combination meter to remove meter.



**CAUTION:**

- Be careful not to damage meter or instrument panel.
- Pay particular attention to avoid damaging the meter glass.

### B: INSTALLATION S907335A11

Install in the reverse order of removal.

**CAUTION:**

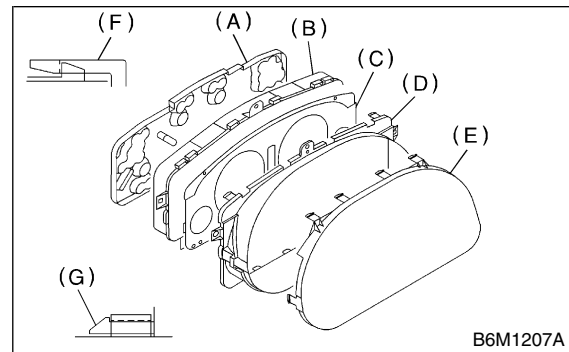
- Make sure that electrical connector is connected securely.
- Make sure that each meter operates normally.

### C: DISASSEMBLY S907335A06

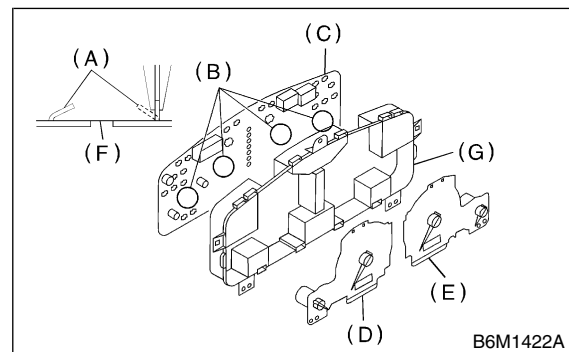
**CAUTION:**

Use gloves to avoid damage and getting fingerprints on the glass surface and meter surfaces.

- 1) Disengage claw (F) to remove case (B) from back cover (A).
- 2) Disengage claw (G) to remove meter glass (E), reflector (D), and window plate (C) from inner case.



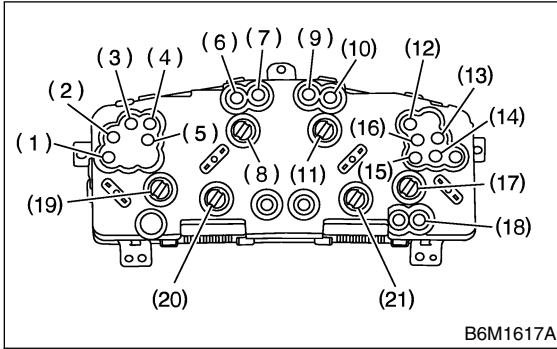
- 3) Pull up claw (A) in portion (B) of printed circuit (C) with combination pliers. Push out speedometer assembly (D) and tachometer assembly (E) using hole (F).
- 4) Pull up claw in the center of printed circuit (C), and remove printed circuit from case (G).



# COMBINATION METER ASSEMBLY

Instrumentation/Driver Info

## 1. BULB REPLACEMENT S907335A0601



- (1) FWD
- (2) AT OIL TEMP.
- (3) Oil pressure
- (4) Check engine
- (5) Charge
- (6) HI-beam
- (7) Turn RH
- (8) Tachometer
- (9) Turn LH
- (10) Brake
- (11) Speedometer
- (12) VDC function
- (13) Airbag
- (14) ABS
- (15) VDC OFF
- (16) VDC
- (17) Speedometer and fuel gauge
- (18) Low fuel
- (19) Tachometer and temperature gauge
- (20) LCD (Clock or clock and outside temperature indicator)
- (21) LCD (Odometer and trip meter)

## D: ASSEMBLY S907335A02

Assemble in the reverse order of disassembly.