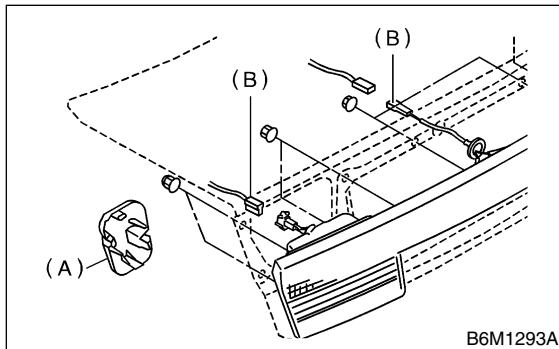


16. Rear Finisher Light Assembly S914429

A: REMOVAL S914429A18

1. SEDAN S914429A1801

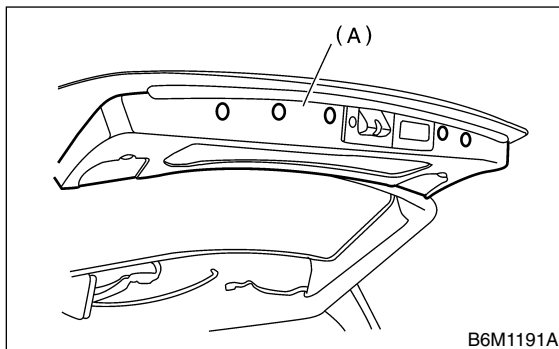
- 1) Disconnect ground cable from battery.
- 2) Open the trunk lid.
- 3) Remove cover (A).
- 4) Disconnect connector (B) from rear finisher light.
- 5) Remove ten nuts and then detach rear finisher light from trunk lid.



B6M1293A

2. WAGON S914429A1802

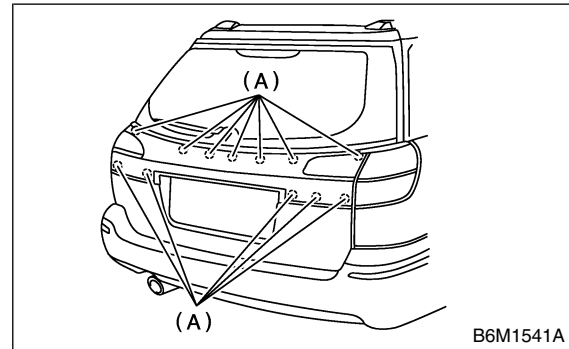
- 1) Disconnect ground cable from battery.
- 2) Remove rear gate lower trim. <Ref. to EI-49, REMOVAL, Rear Gate Trim.>
- 3) Remove rear gate trim lower (A).



B6M1191A

- 4) Disconnect connector from rear finisher light.

- 5) Remove nuts (A) and then remove rear finisher light from rear gate.



B6M1541A

B: INSTALLATION S914429A11

Install in the reverse order of removal.