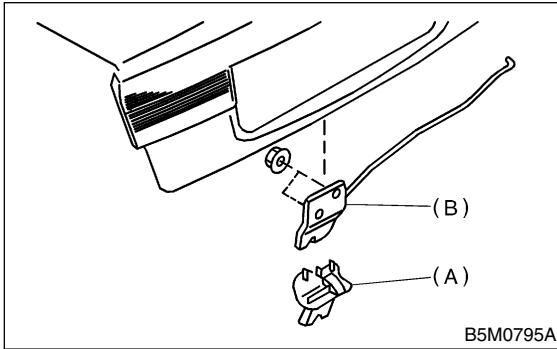


16. Trunk Lid Lock Assembly

S909314

A: REMOVAL S909314A18

- 1) Remove the trunk lid key cylinder rod.
- 2) Remove the lock assembly cover (A).
- 3) Remove the nut while holding the lock assembly. Remove the lock assembly (B).



B: INSTALLATION S909314A11

Install in the reverse order of removal.

NOTE:

- Apply grease to parts that rub.
- Make sure the lock operates properly after installation.

C: INSPECTION S909314A10

- 1) Check the striker for bending or abnormal wear.
- 2) Check the safety lever for improper movement.
- 3) Check other levers and the spring for rust formation and unsmooth movement.