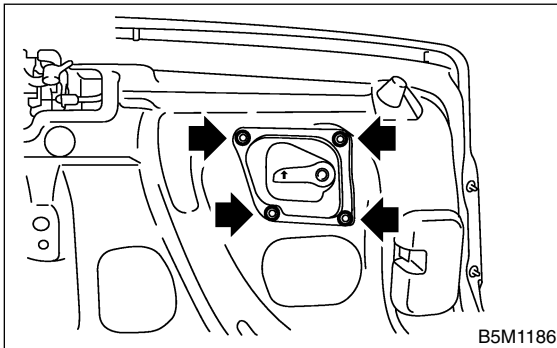


17. Trunk Lid Release Handle

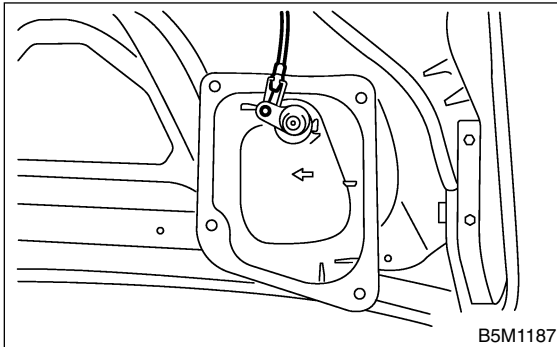
S909800

A: REMOVAL S909800A18

- 1) Remove the four clips.



- 2) Remove the cable from trunk lid release handle.



B: INSTALLATION S909800A11

Install in the reverse order of removal.

C: INSPECTION S909800A10

- 1) Make sure the cable is not deformed.
- 2) Make sure the lever works smoothly.